

US00D637841S

(12) **United States Design Patent**  
**Omdoll et al.**

(10) **Patent No.:** **US D637,841 S**

(45) **Date of Patent:** **\*\* May 17, 2011**

(54) **TOWEL DISPENSER**

(75) Inventors: **Paul Omdoll**, Brookfield, WI (US);  
**Scott Collins**, Milwaukee, WI (US)

(73) Assignee: **The Colman Group, Inc.**, Elkhorn, WI (US)

(\*\*) Term: **14 Years**

(21) Appl. No.: **29/376,404**

(22) Filed: **Oct. 6, 2010**

(51) **LOC (9) Cl.** ..... **20-02**

(52) **U.S. Cl.** ..... **D6/518**

(58) **Field of Classification Search** ..... D6/515-523,  
D6/545; 206/225, 233, 389, 391; 211/13.1;  
222/173, 180; 221/26, 33, 282-283; 242/270,  
242/590; 248/309.1, 309.2, 905

See application file for complete search history.

(56) **References Cited**

**U.S. PATENT DOCUMENTS**

6,302,351	B1	10/2001	Omdoll et al.	
D457,368	S	5/2002	Omdoll et al.	
D461,983	S	8/2002	Omdoll et al.	
D462,240	S	9/2002	Omdoll	
D488,654	S	4/2004	Omdoll et al.	
D522,781	S *	6/2006	Wieser et al.	D6/518
D525,063	S *	7/2006	Woods et al.	D6/518

D525,465	S *	7/2006	Omdoll et al.	D6/518
7,168,653	B2	1/2007	Omdoll et al.	
D564,267	S *	3/2008	Tomic et al.	D6/518
D568,655	S *	5/2008	Friesen et al.	D6/518
D571,834	S	6/2008	Young	
7,641,143	B2	1/2010	Omdoll et al.	
D619,835	S *	7/2010	Goeking et al.	D6/518
D620,733	S *	8/2010	Denis et al.	D6/518

\* cited by examiner

*Primary Examiner* — Brian N Vinson

(74) *Attorney, Agent, or Firm* — Boyle Fredrickson S.C.

(57) **CLAIM**

The ornamental design of a towel dispenser, as shown and described.

**DESCRIPTION**

FIG. 1 is a top perspective view of a towel dispenser showing our new design;

FIG. 2 is a front elevation view thereof;

FIG. 3 is a left elevation view thereof;

FIG. 4 is a right side elevation view thereof;

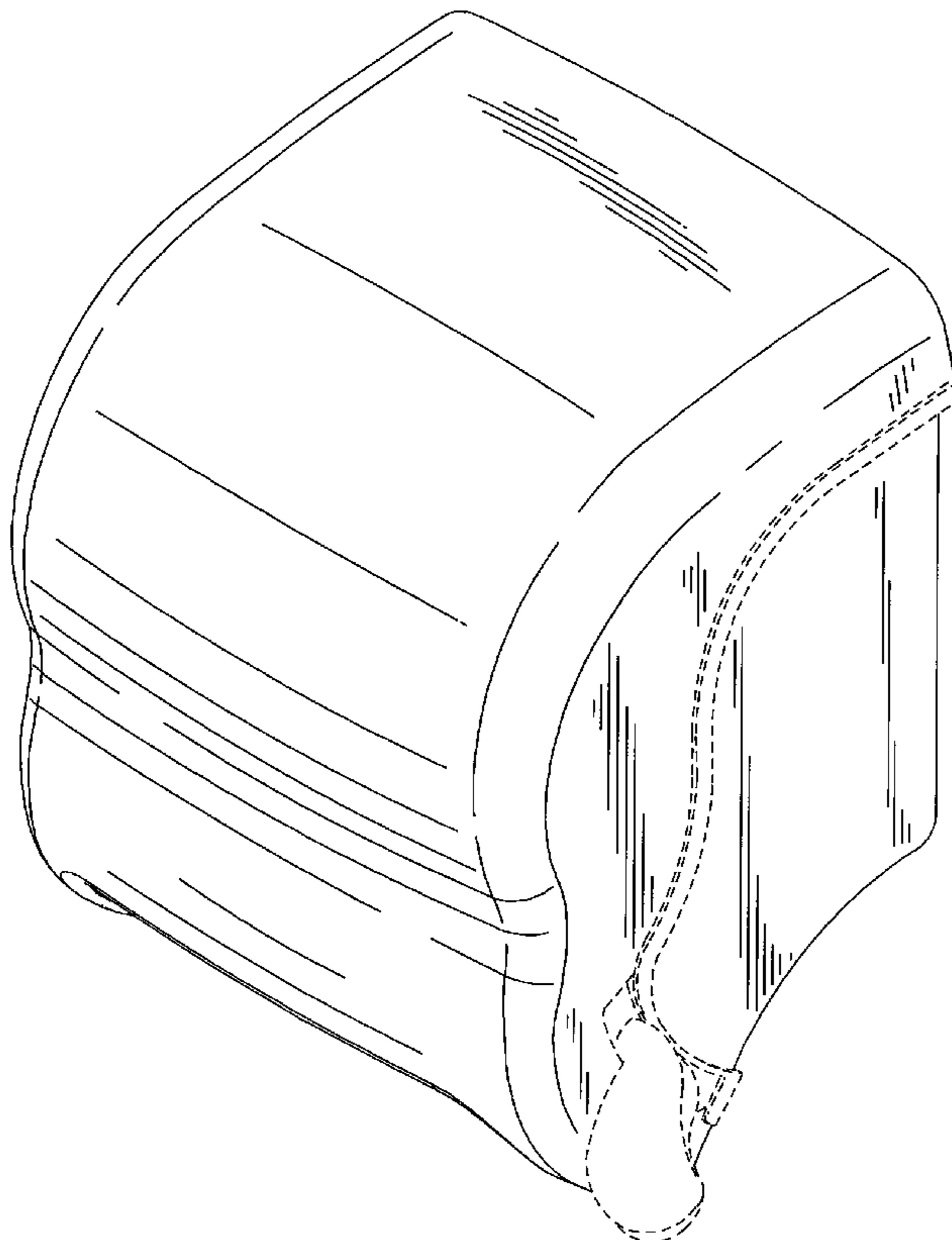
FIG. 5 is a top plan view thereof;

FIG. 6 is a bottom plan view thereof; and,

FIG. 7 is a rear elevation view thereof.

The broken-line disclosure in the views is understood to represent portions of the article in which the claimed design is embodied, but which form no part of the claimed design.

**1 Claim, 7 Drawing Sheets**



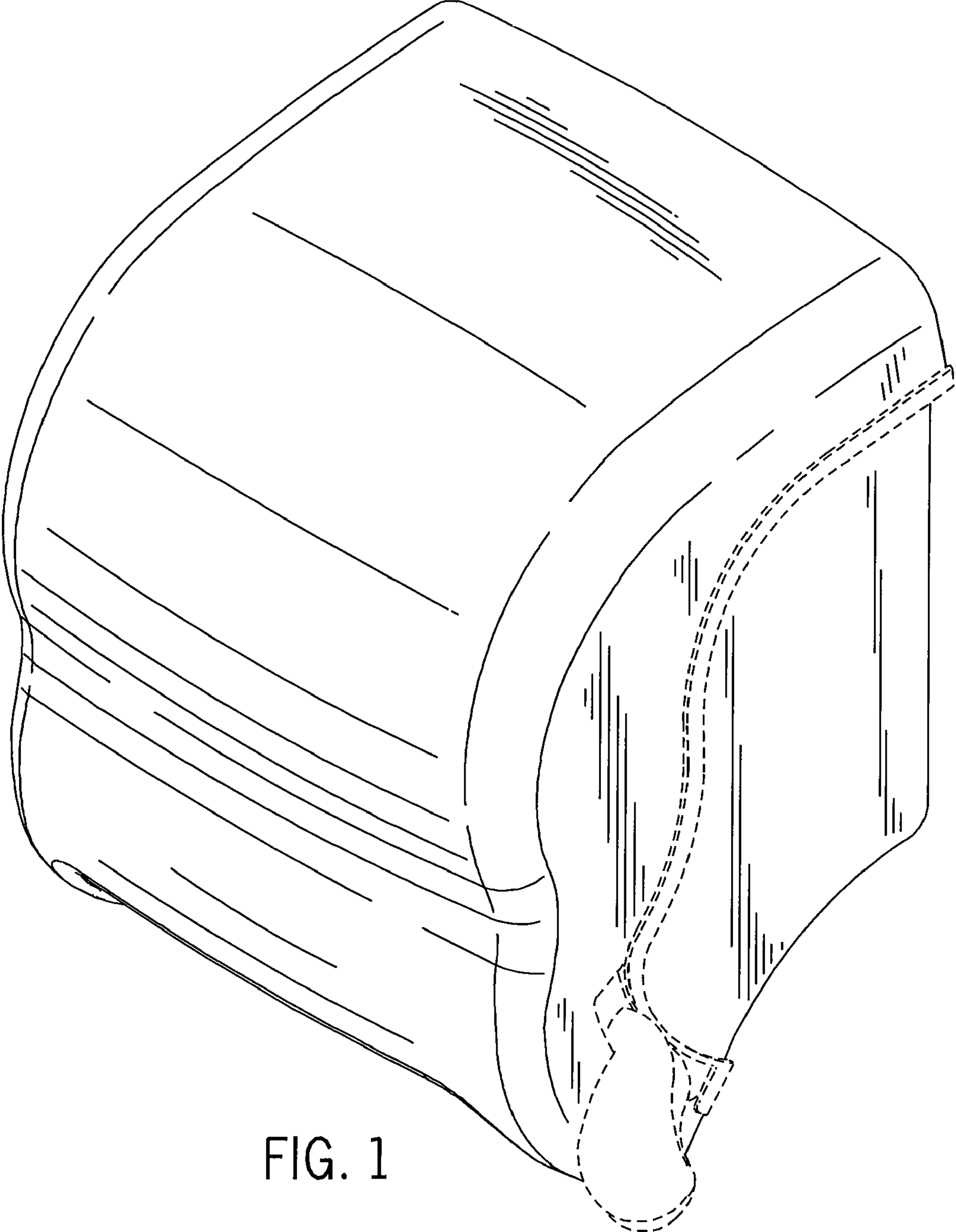


FIG. 1

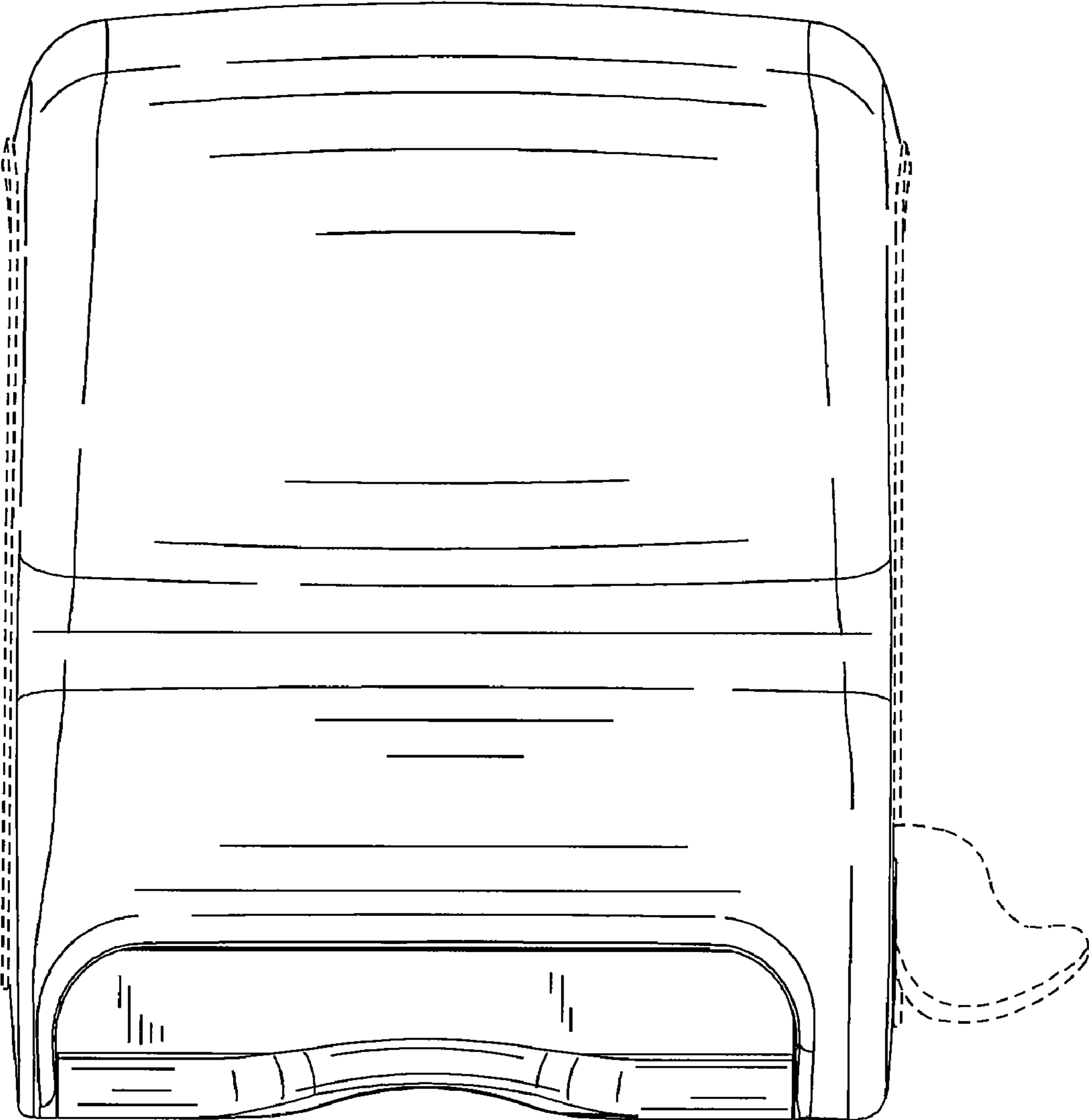


FIG. 2

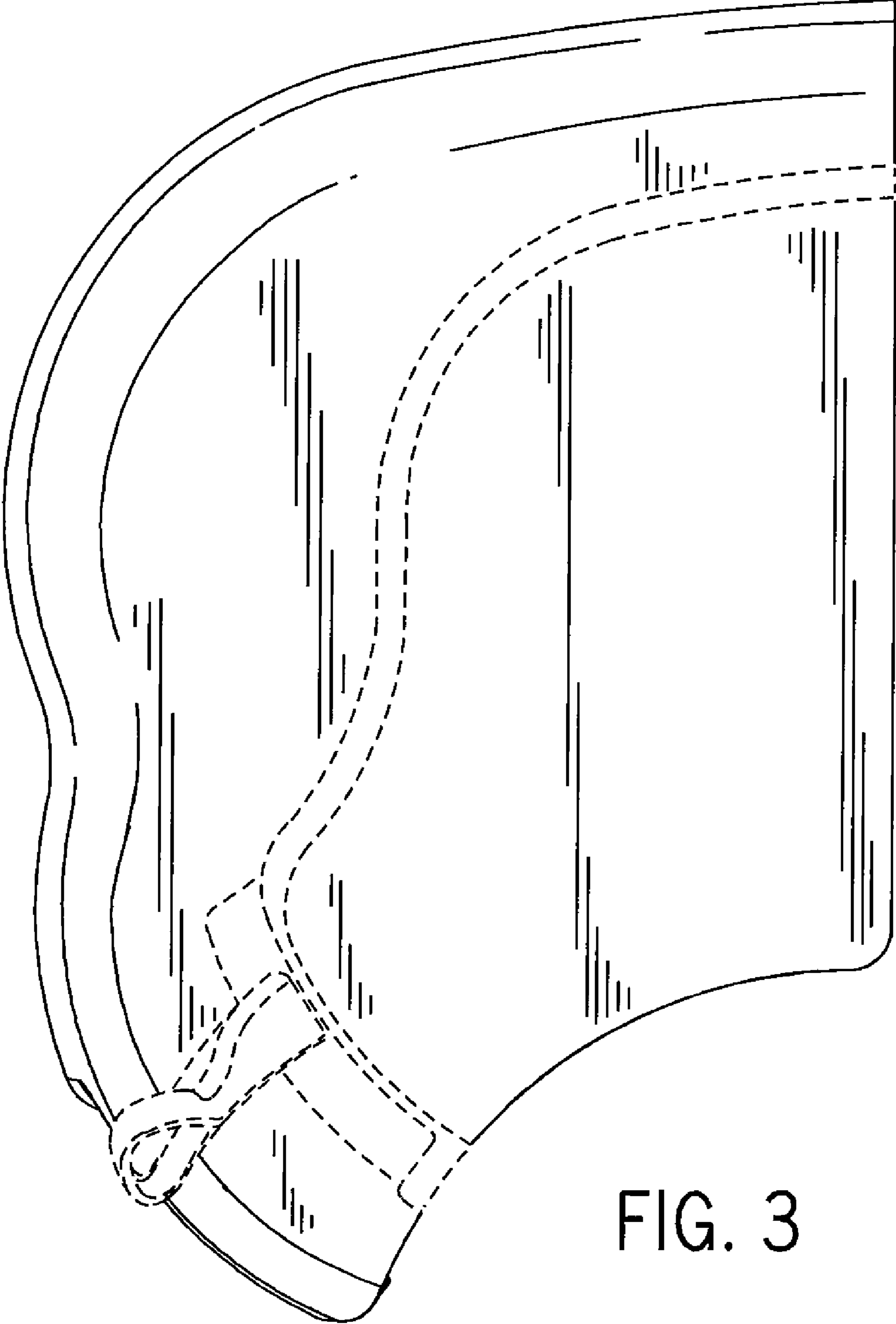


FIG. 3

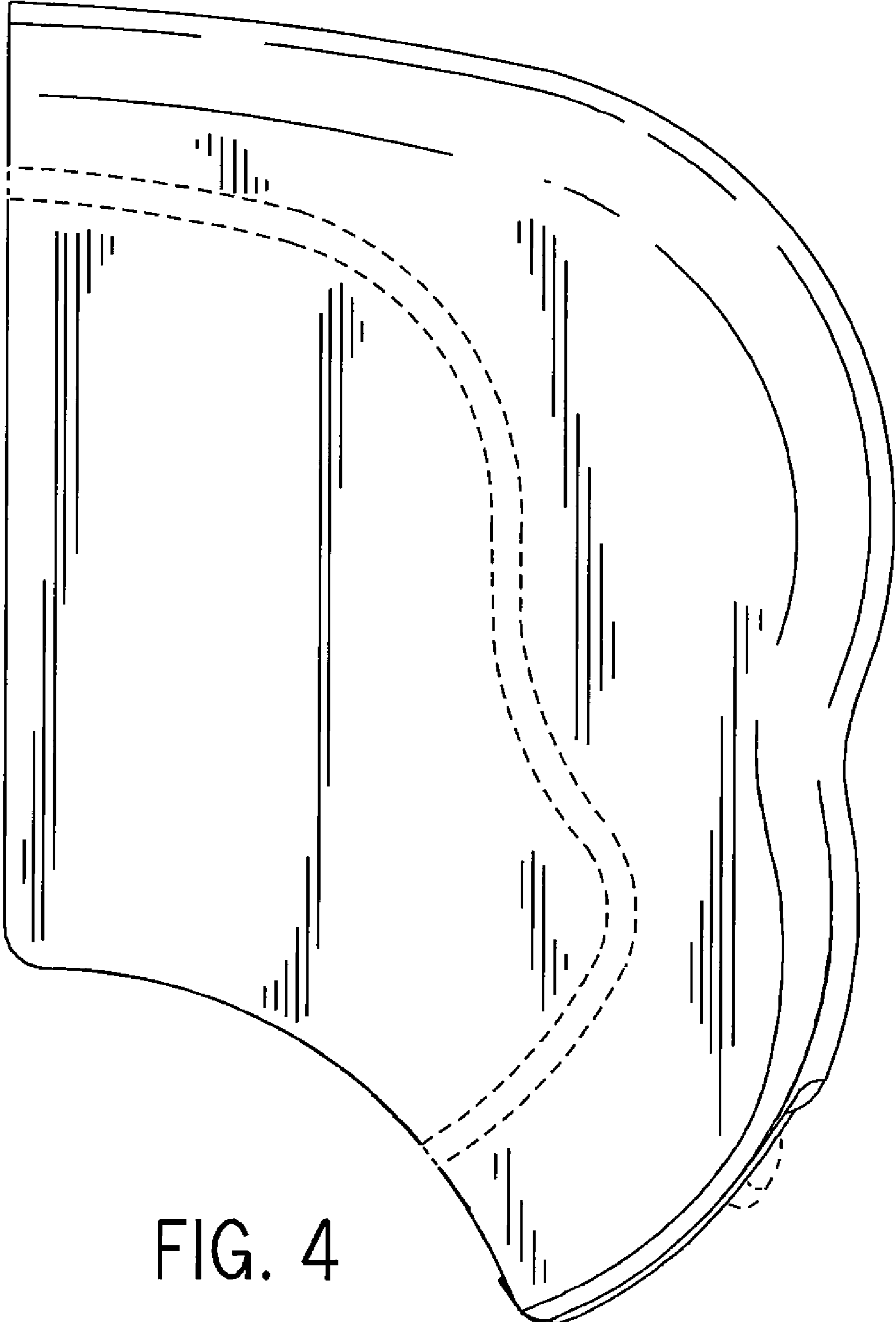


FIG. 4

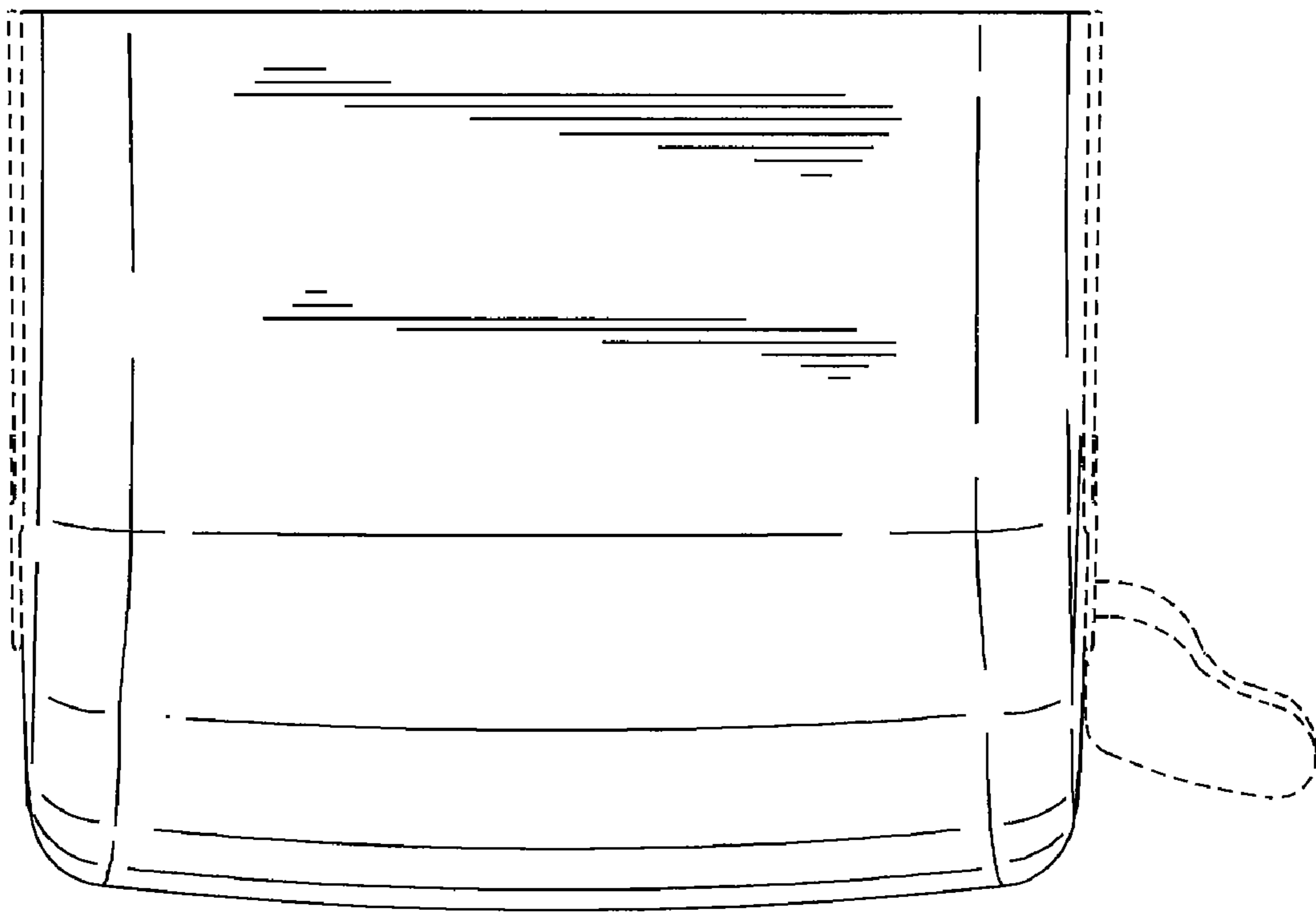


FIG. 5

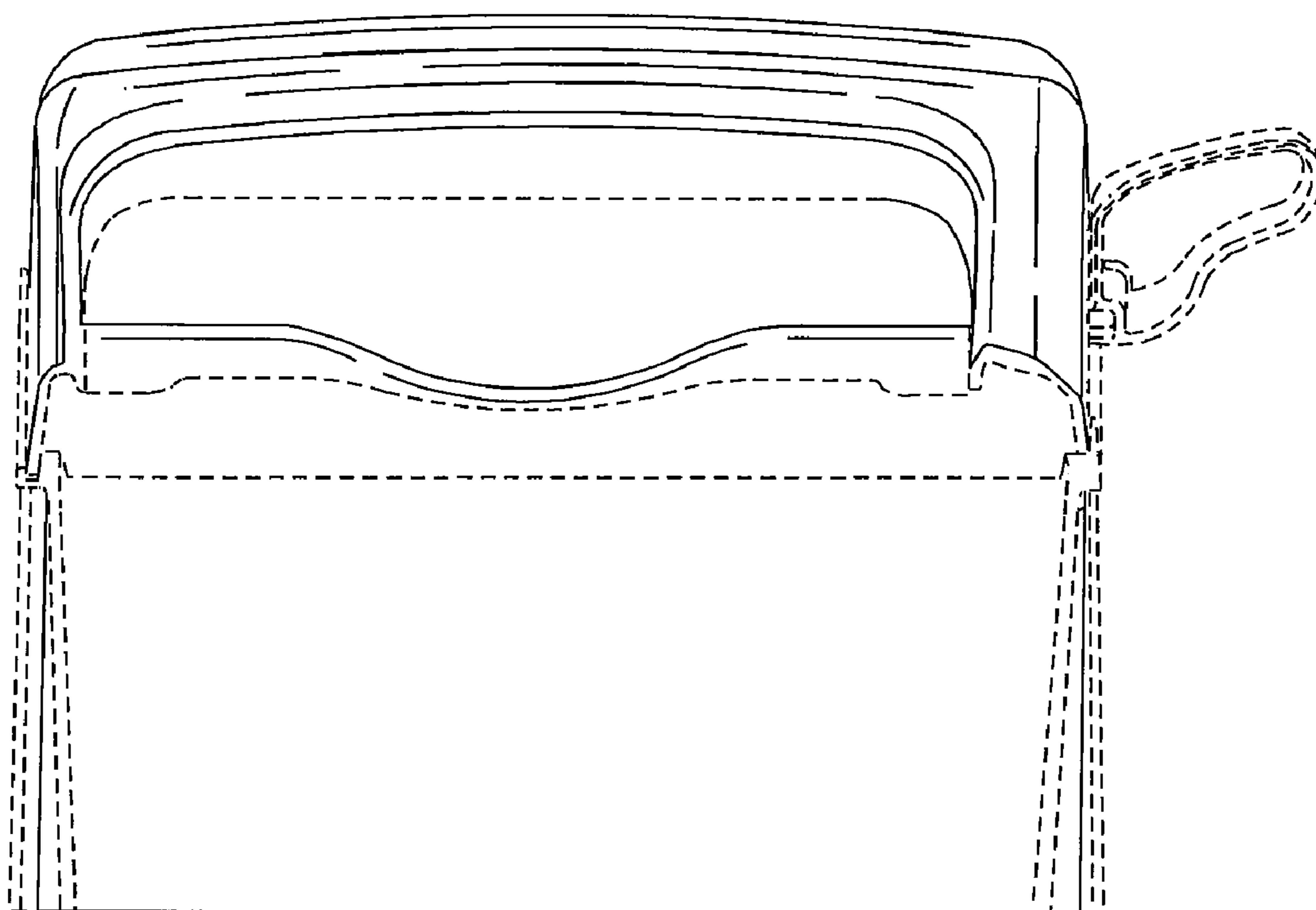


FIG. 6

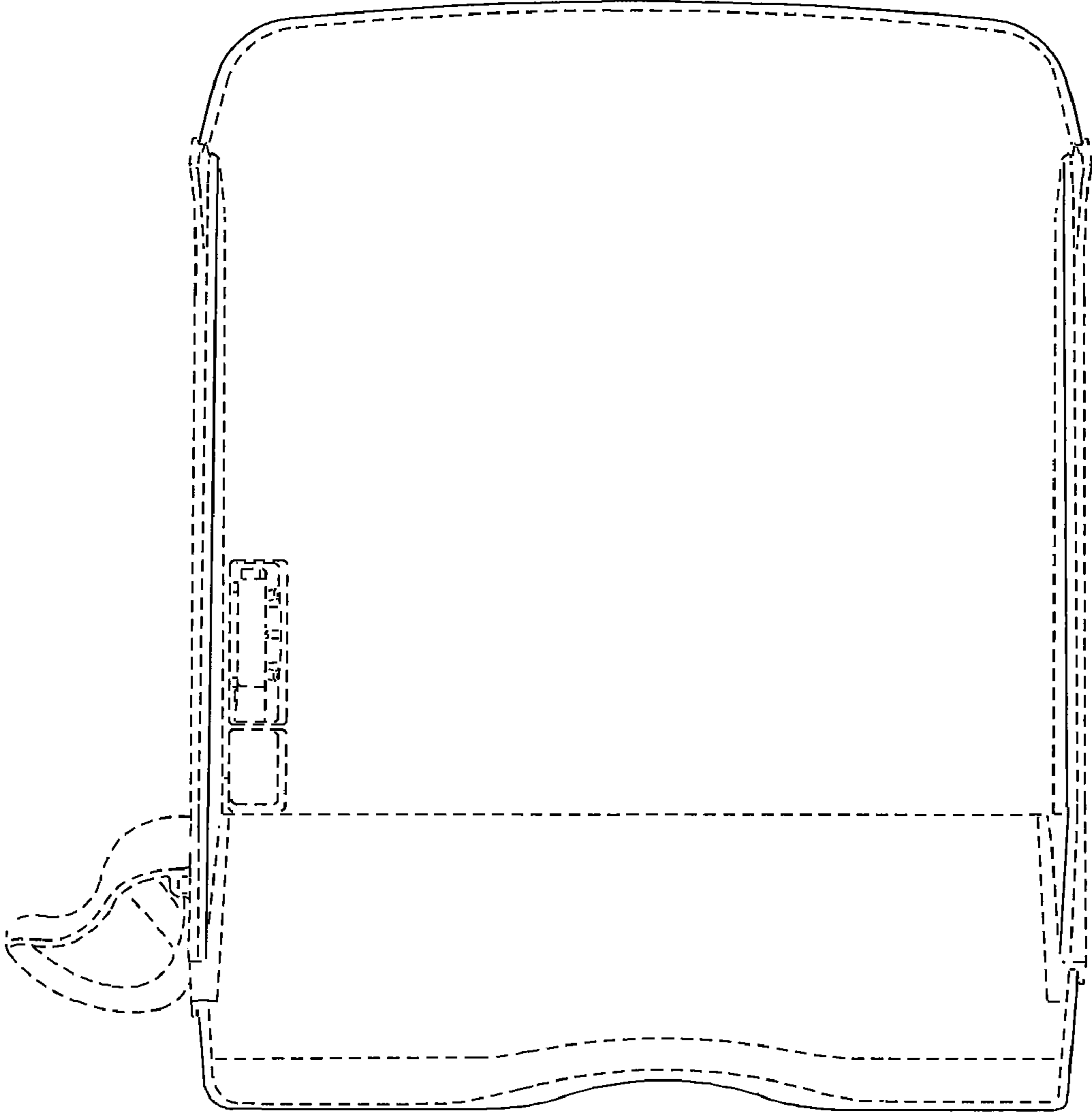


FIG. 7