



US00D637840S

(12) **United States Design Patent**  
**Stephens et al.**

(10) **Patent No.:** **US D637,840 S**

(45) **Date of Patent:** **\*\* May 17, 2011**

(54) **WALL-MOUNTED COOLER DRYING RACK**

(76) Inventors: **Jeffrey L. Stephens**, Two Rivers, WI  
(US); **Patricia K. Stephens**, Two Rivers,  
WI (US)

(\*\*) Term: **14 Years**

(21) Appl. No.: **29/370,491**

(22) Filed: **Jul. 26, 2010**

(51) **LOC (9) Cl.** ..... **06-04**

(52) **U.S. Cl.** ..... **D6/513**

(58) **Field of Classification Search** ..... D6/513,  
D6/362, 574, 572, 566; 297/425; D12/317,  
D12/400, 406, 223, 425; 211/13.1, 85.7,  
211/86.01, 87.01, 90.01, 134; 108/42, 149;  
248/127, 176.1, 200, 201, 235, 250  
See application file for complete search history.

(56) **References Cited**

**U.S. PATENT DOCUMENTS**

1,486,566	A	3/1924	Crecelius	
4,155,175	A	5/1979	Stiles	
4,234,112	A *	11/1980	Gallant	211/70.5
4,372,449	A	2/1983	Fink	
4,901,871	A	2/1990	Ohm et al.	
D321,300	S *	11/1991	Postic	D6/511
5,295,365	A	3/1994	Redford	

D355,552	S *	2/1995	Whited et al.	D6/513
6,052,918	A	4/2000	Oletzde	
6,196,437	B1	3/2001	Smith, III	
6,814,333	B1	11/2004	Freiburger	
2005/0006268	A1	1/2005	Futernick	
2010/0071225	A1	3/2010	Ross	

\* cited by examiner

*Primary Examiner* — Brian N Vinson

(74) *Attorney, Agent, or Firm* — Tipton L. Randall

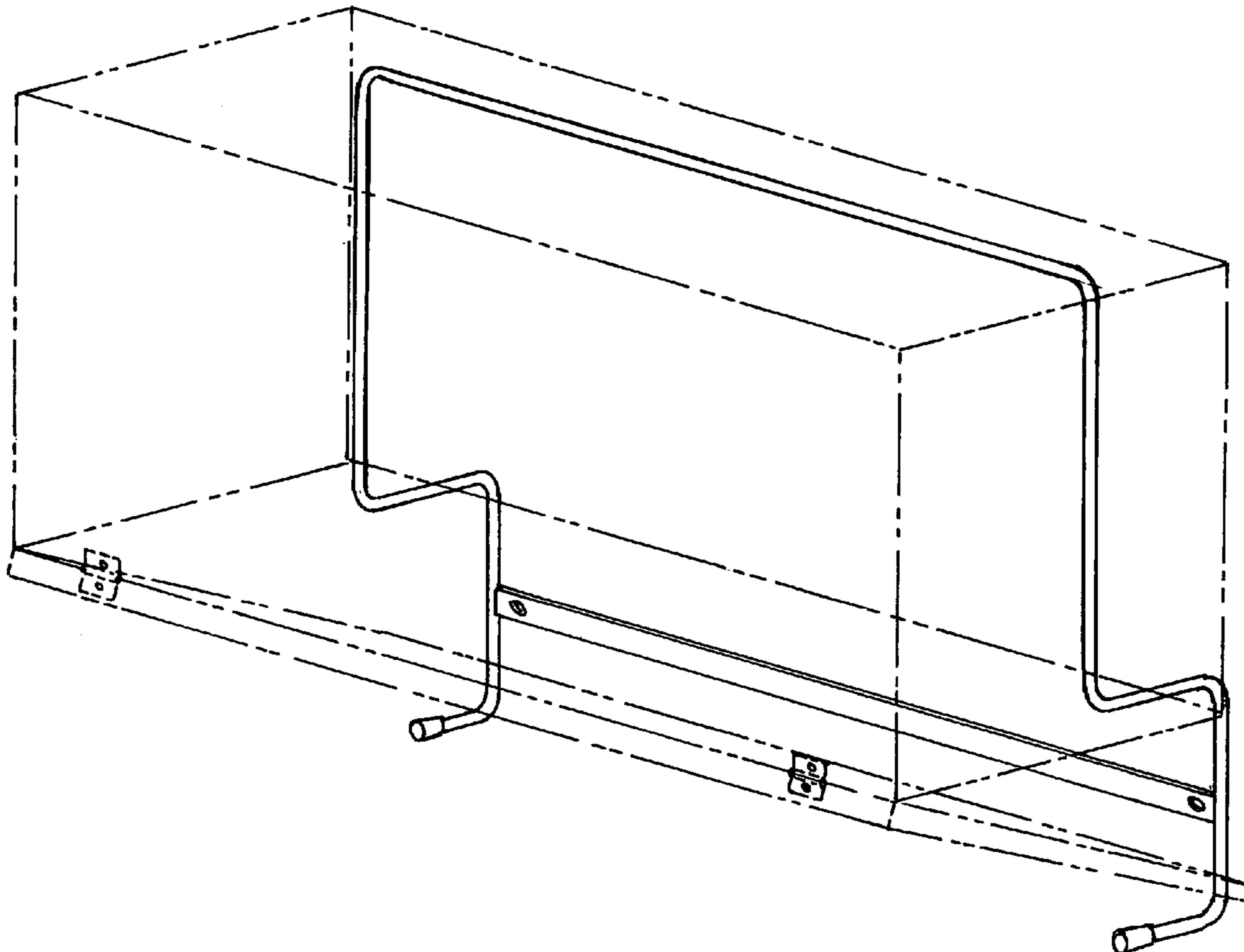
(57) **CLAIM**

The ornamental design for a wall-mounted cooler drying rack, as shown and described.

**DESCRIPTION**

FIG. 1 is a front view of the wall-mounted cooler drying rack embodying our new design, FIG. 2 is rear view thereof, FIG. 3 is a right side view thereof, FIG. 4 is a left side view thereof, FIG. 5 is a top view thereof, FIG. 6 is a bottom view thereof, FIG. 7 is a perspective front view thereof; and, FIG. 8 is a perspective front view of the wall-mounted cooler drying rack, the chest cooler shown in phantom comprising no part of the present invention.

**1 Claim, 8 Drawing Sheets**



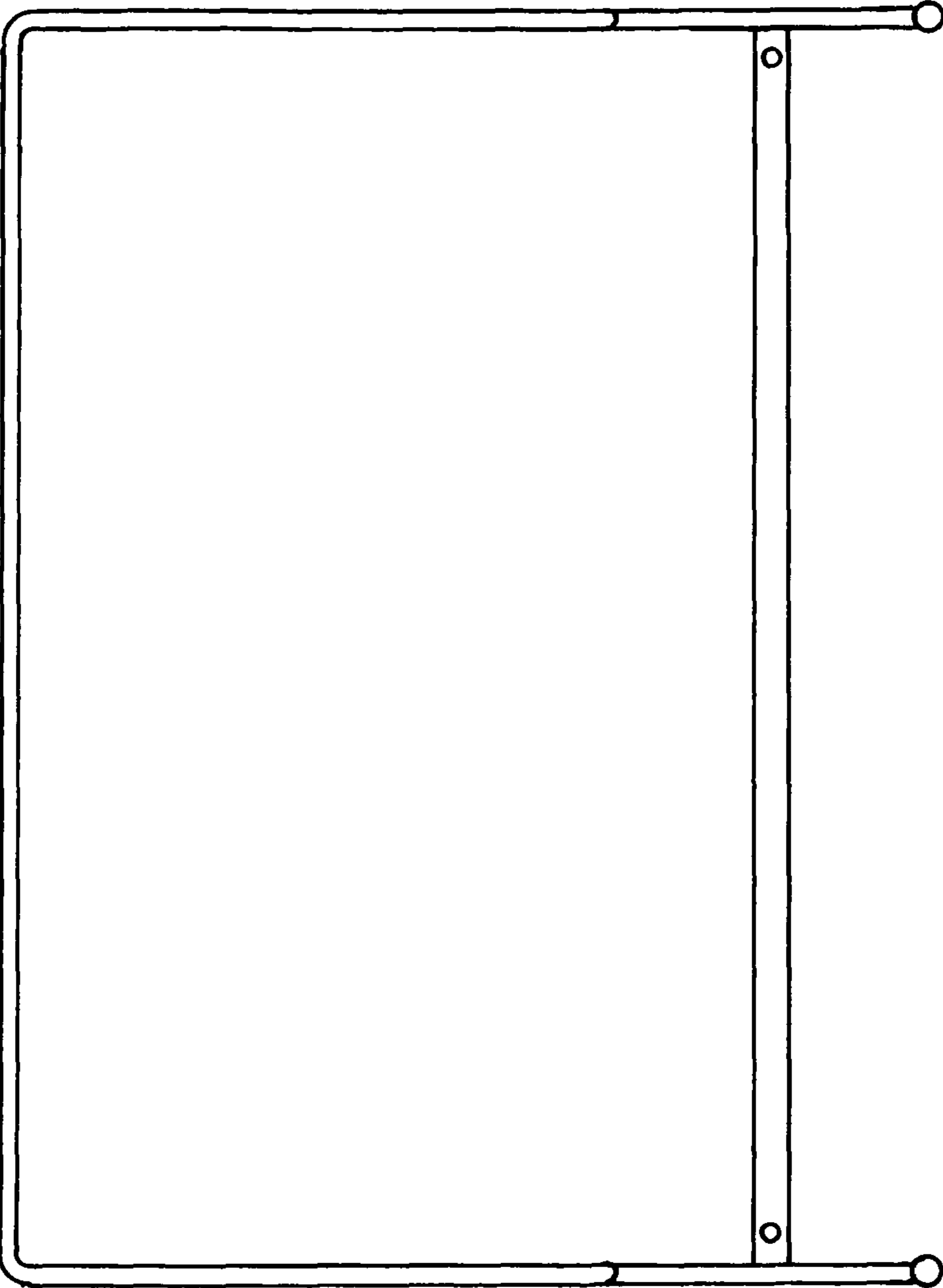


Figure 1

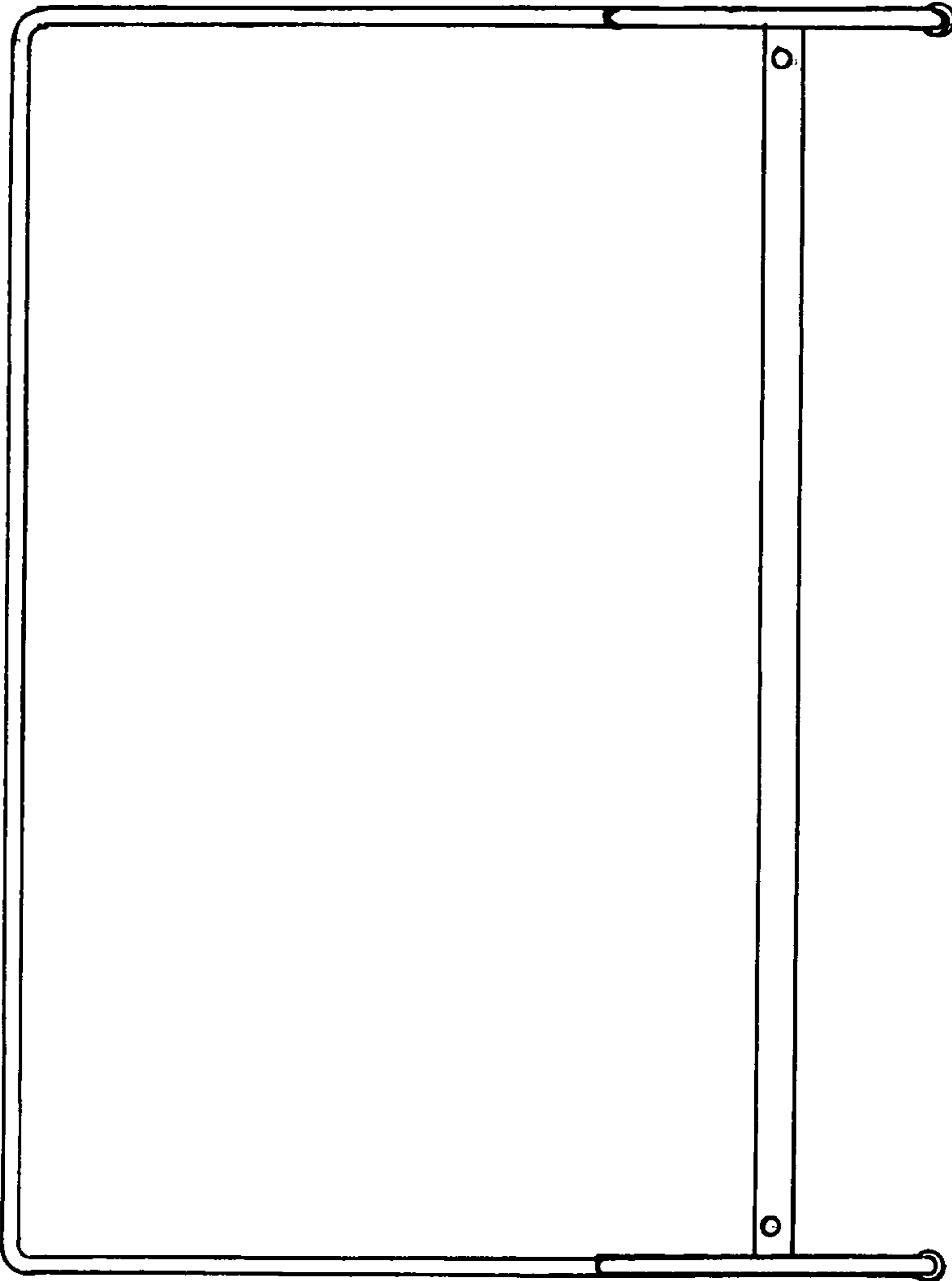


Figure 2



Figure 3

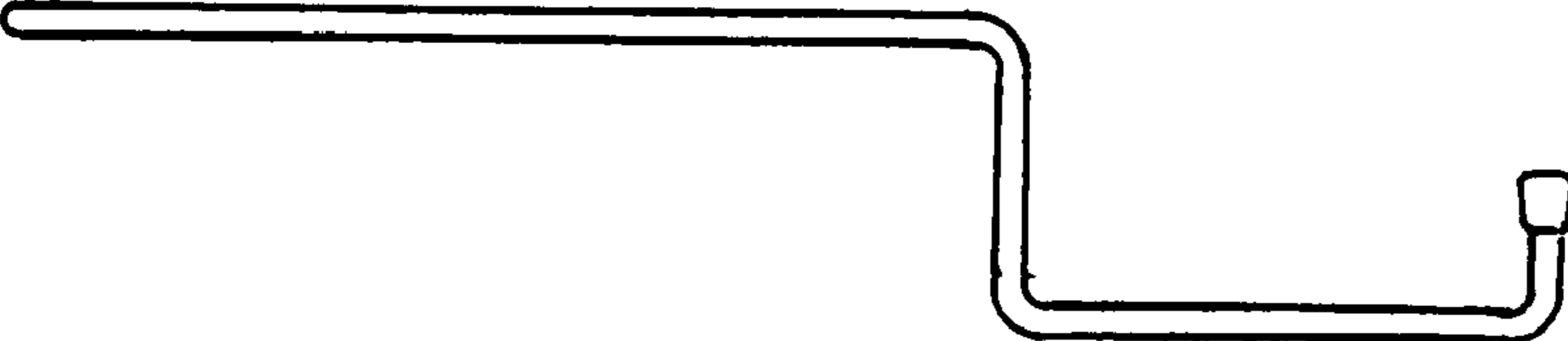


Figure 4

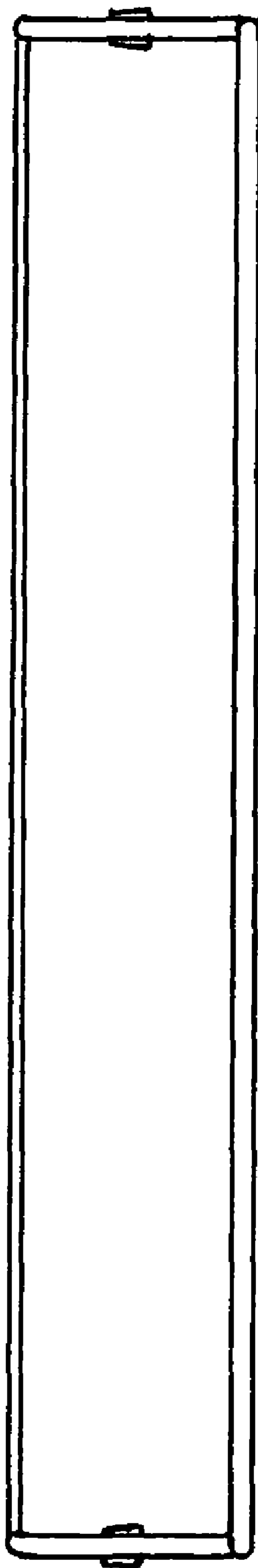


Figure 5

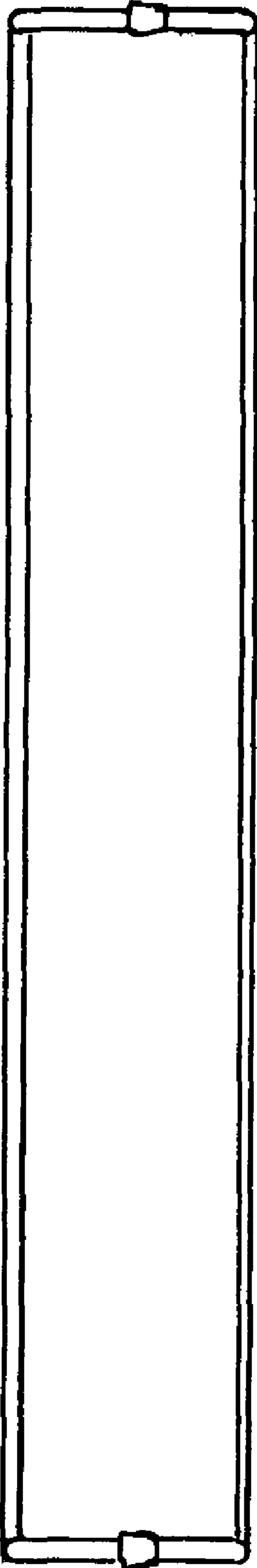


Figure 6

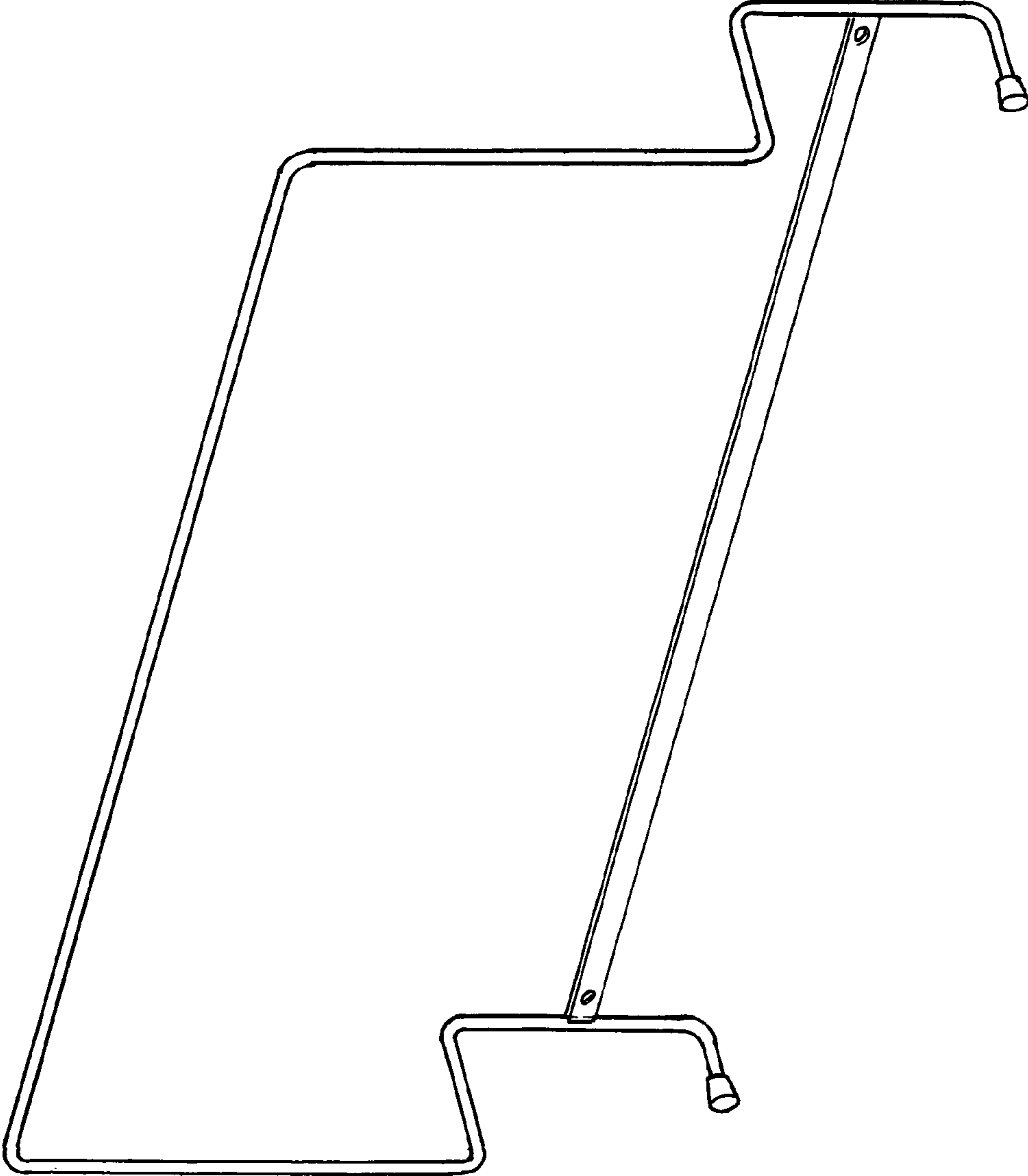


Figure 7



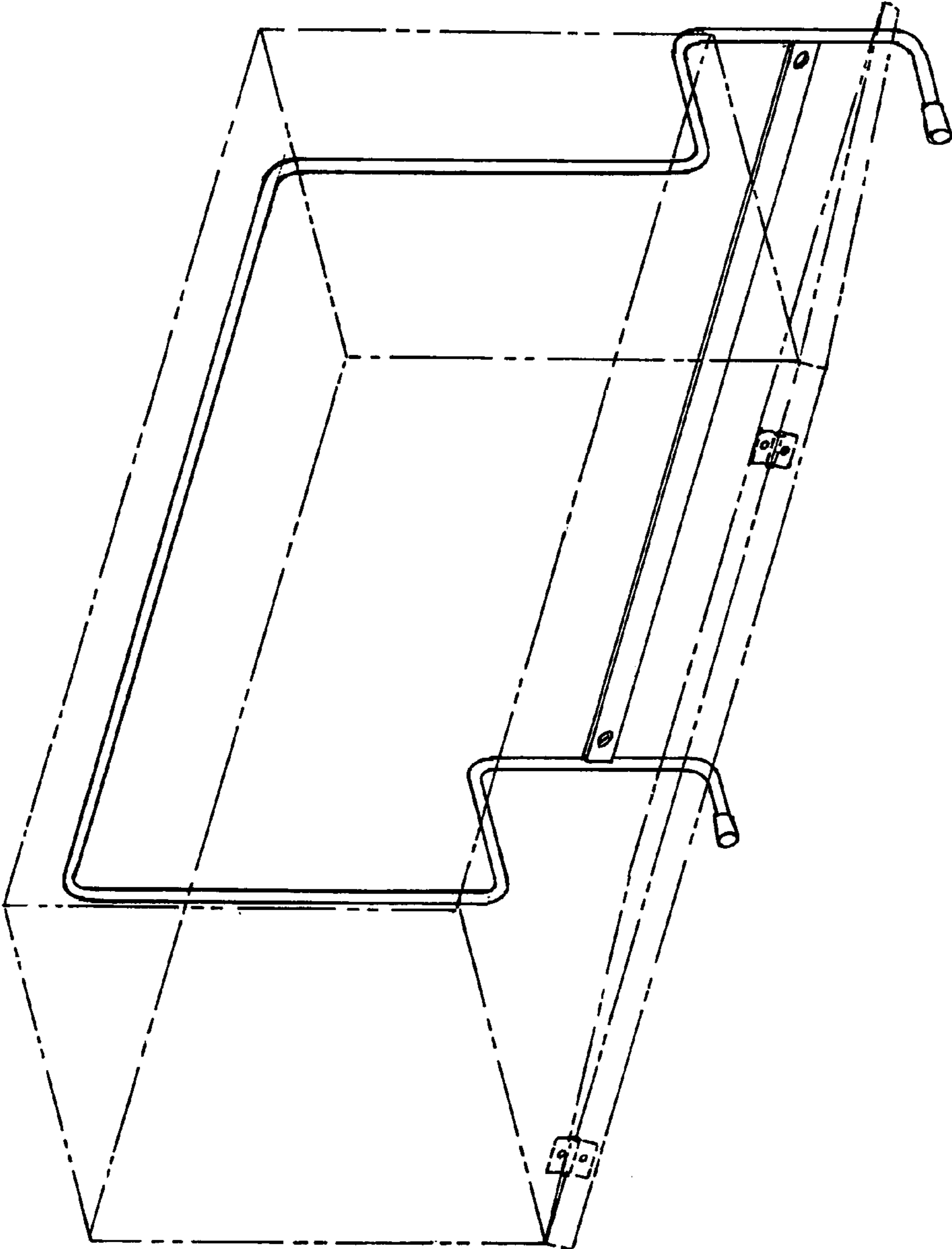


Figure 8