



US00D637838S

(12) **United States Design Patent**
Piretti

(10) **Patent No.:** **US D637,838 S**

(45) **Date of Patent:** **** May 17, 2011**

- (54) **CHAIR**
- (75) Inventor: **Giancarlo Piretti**, Bologna (IT)
- (73) Assignee: **Pro-Cord S.p.A.**, Bologna (IT)
- (**) Term: **14 Years**
- (21) Appl. No.: **29/379,814**
- (22) Filed: **Nov. 24, 2010**

Related U.S. Application Data

- (62) Division of application No. 29/319,333, filed on Jun. 6, 2008.
- (51) **LOC (9) Cl.** **06-01**
- (52) **U.S. Cl.** **D6/500; D6/379**
- (58) **Field of Classification Search** D6/334-336, D6/360-369, 373-380, 498, 500-502, 601; 297/284.4-284.5, 291, 297, 300.4, 411.2, 297/411.27-411.29, 452.13, 452.19, 452.21, 297/452.29, 452.3, 452.56, 452.64
See application file for complete search history.

D367,185 S *	2/1996	Olson	D6/373
D370,360 S	6/1996	Fewchuk		
D374,561 S	10/1996	Meijer		
D378,553 S	3/1997	Newhouse		
D385,425 S	10/1997	Goetz		
D417,970 S	12/1999	Duffy et al.		
D422,424 S *	4/2000	Gehry et al.	D6/375
D433,578 S	11/2000	Saul		
D436,751 S	1/2001	Schacht		
D446,037 S	8/2001	Koepke et al.		
D451,693 S	12/2001	Pearce et al.		
D455,570 S	4/2002	Kita		
D456,164 S *	4/2002	Vanderiet et al.	D6/374
D457,739 S	5/2002	Pearce et al.		
6,412,869 B1	7/2002	Pearce		
6,669,301 B1	12/2003	Funk et al.		
6,679,553 B2 *	1/2004	Batthey et al.	297/300.4
D509,671 S	9/2005	Olson et al.		
D509,969 S	9/2005	Loew et al.		
D513,902 S *	1/2006	Piretti	D6/380
D515,331 S	2/2006	Piretti		
D518,304 S *	4/2006	Crescenti	D6/373
D519,294 S *	4/2006	Frenkler et al.	D6/375

(Continued)

Primary Examiner — Ricky Pham

(74) *Attorney, Agent, or Firm* — Andrus, Scales, Starke & Sawall, LLP

(56) **References Cited**

U.S. PATENT DOCUMENTS

3,111,344 A	11/1963	Hoven et al.
D202,264 S	9/1965	Albinson
D214,315 S	6/1969	Bartholomew
D272,587 S	2/1984	Pamberg
D274,771 S	7/1984	Ambasz et al.
D284,048 S	6/1986	Ambasz et al.
D289,120 S	4/1987	Chadwick et al.
D292,149 S	10/1987	Monesi
4,733,910 A	3/1988	Brennan
D298,390 S	11/1988	Bellini
D299,192 S	1/1989	Chadwick et al.
D300,885 S	5/1989	Ochsner
D305,285 S	1/1990	Piretti
D352,183 S	11/1994	Sheridan

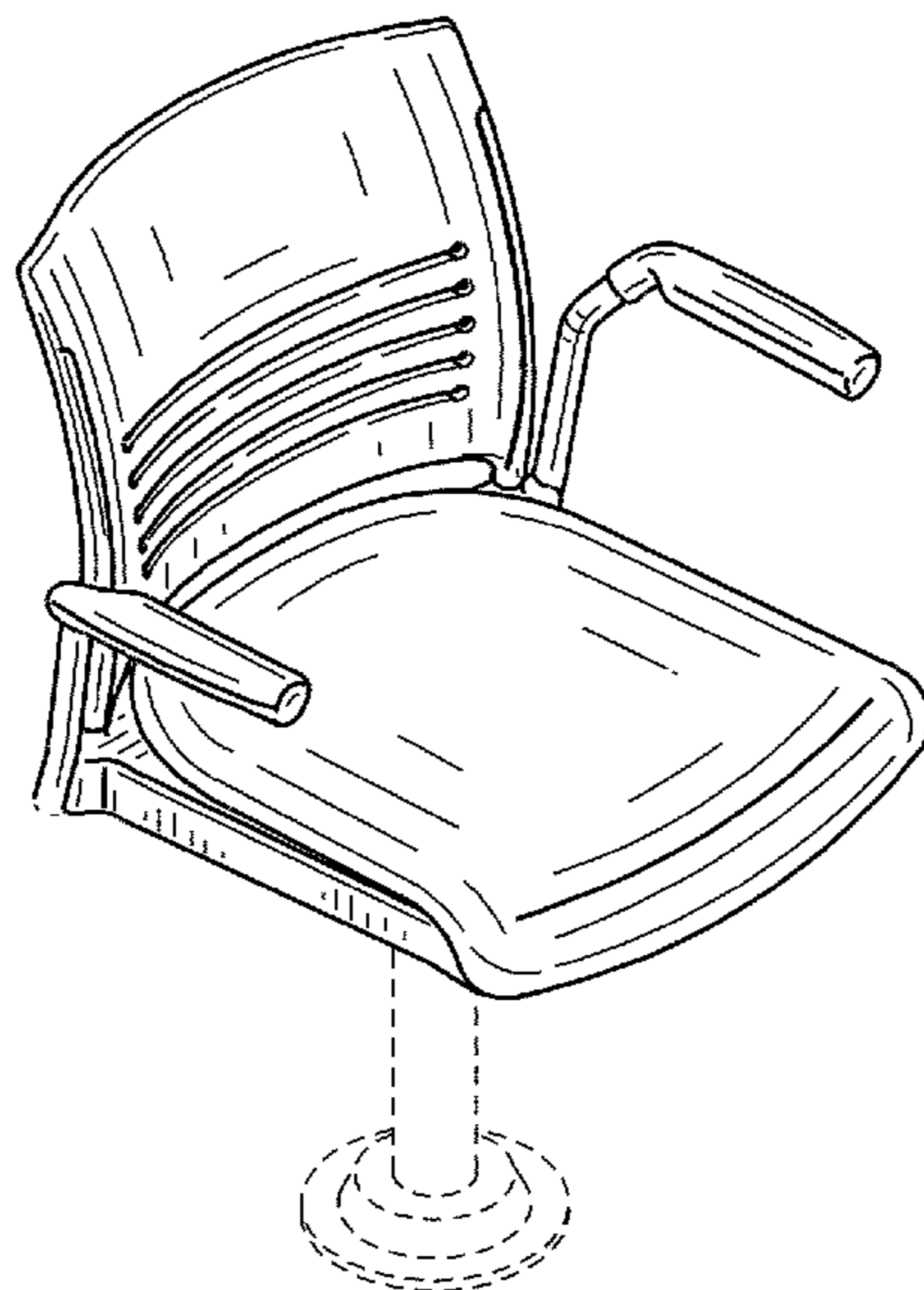
(57) **CLAIM**

The ornamental design for a chair, as shown and described.

DESCRIPTION

FIG. 1 is an isometric view of a chair incorporating my new design, wherein the portions in phantom illustrate environment and form no part of the claimed design;
 FIG. 2 is a front elevation view thereof;
 FIG. 3 is a right side elevation view thereof, wherein the left side elevation view is a mirror image;
 FIG. 4 is a rear elevation view thereof; and,
 FIG. 5 is a top plan view thereof.

1 Claim, 2 Drawing Sheets



US D637,838 S

Page 2

U.S. PATENT DOCUMENTS

7,118,177	B2	10/2006	Piretti		
D536,884	S *	2/2007	Meda	D6/334	
D540,559	S	4/2007	Neil		
D544,722	S *	6/2007	Scheper et al.	D6/375	
D564,264	S	3/2008	Smith et al.		
D574,646	S	8/2008	Su		
D579,226	S	10/2008	Pinaffo et al.		
D581,689	S *	12/2008	Marini	D6/380	
D583,162	S	12/2008	Vallet et al.		
D587,477	S	3/2009	Neil		
D592,876	S	5/2009	Smith et al.		
D594,669	S *	6/2009	Asano	D6/376	
D595,072	S *	6/2009	Su	D6/502	
D597,332	S	8/2009	Carmon		
D599,125	S	9/2009	Piretti		
D600,035	S *	9/2009	Olano Jauregui	D6/375	
D600,052	S	9/2009	Smith et al.		
D600,465	S	9/2009	Kumazawa		
D600,954	S	9/2009	Kumazawa		
D601,822	S	10/2009	Neil		
D602,268	S	10/2009	Viererbl		
D602,276	S	10/2009	Neil		
D605,421	S	12/2009	Baldanzi		
D606,771	S	12/2009	Chadwick		
D607,654	S	1/2010	Fewchuk		
D607,661	S	1/2010	Chadwick		
D609,035	S	2/2010	Muller		
D609,487	S	2/2010	Kumazawa		
D609,488	S	2/2010	Kumazawa		
D610,816	S	3/2010	Keichel et al.		
7,686,395	B2	3/2010	Piretti		
D617,568	S	6/2010	Kumazawa		
D618,004	S	6/2010	DeSanta et al.		
2002/0117883	A1	8/2002	Gevaert		
2003/0164635	A1	9/2003	Batthey et al.		

* cited by examiner

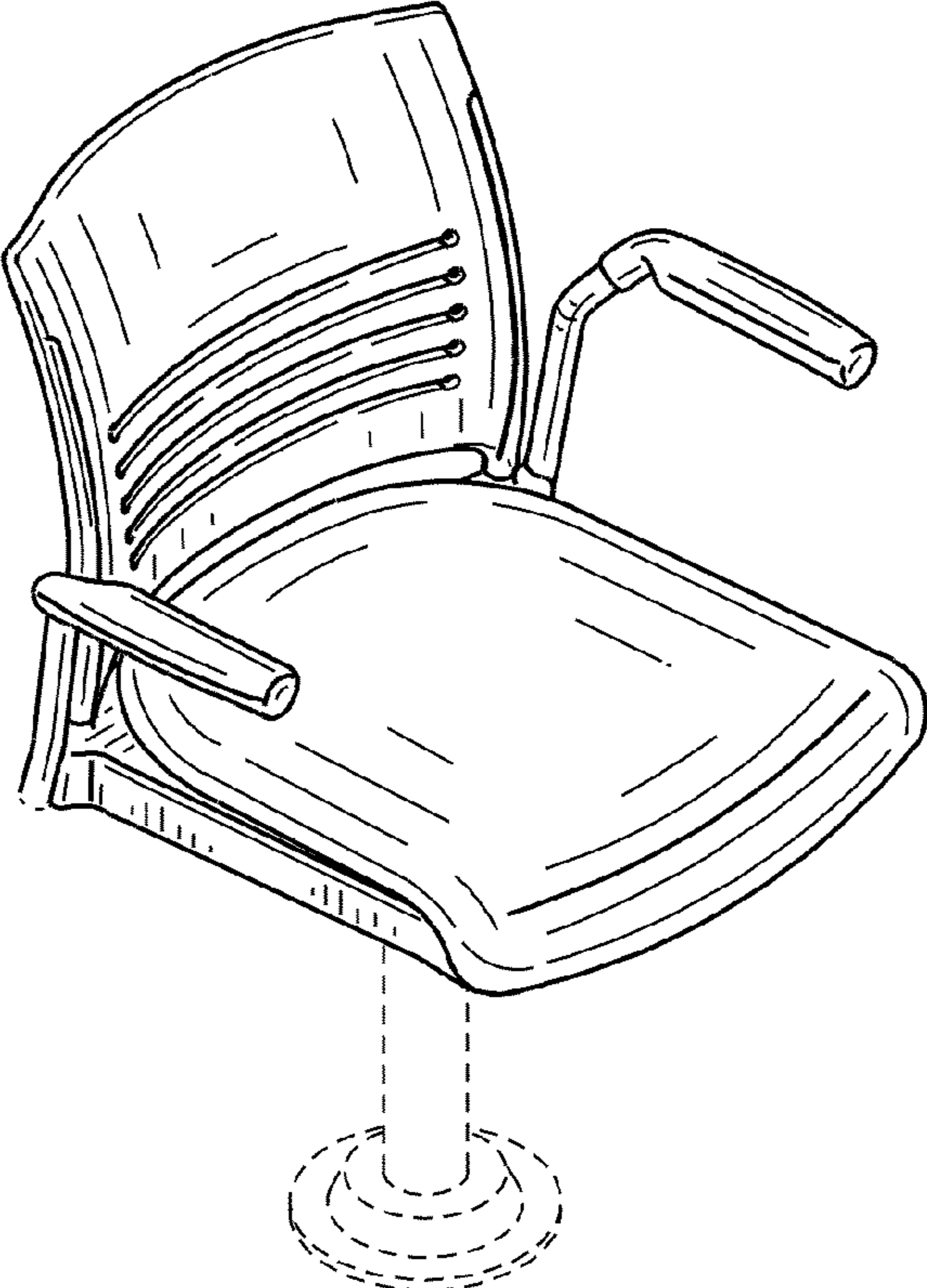


FIG. 1

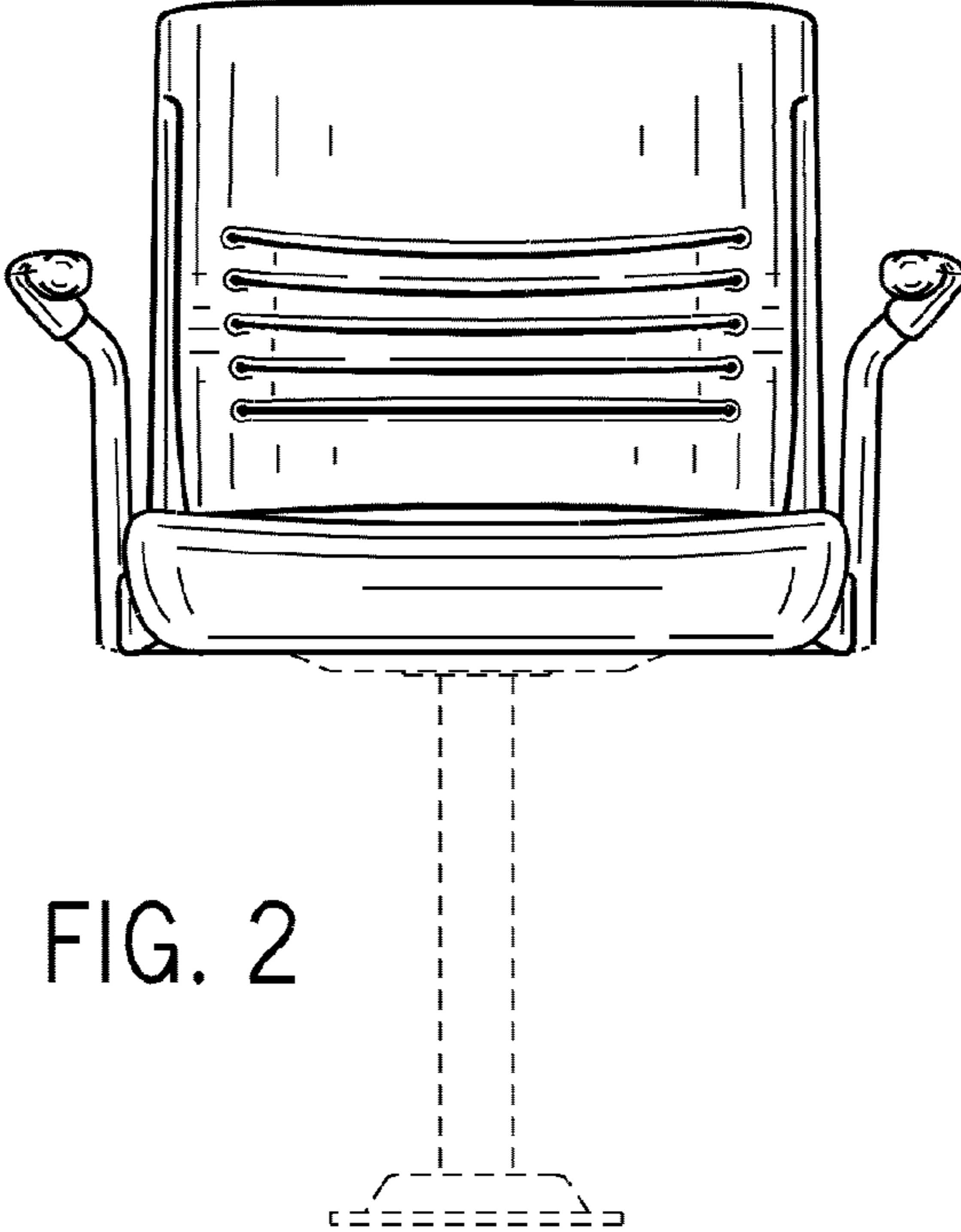


FIG. 2

FIG. 3

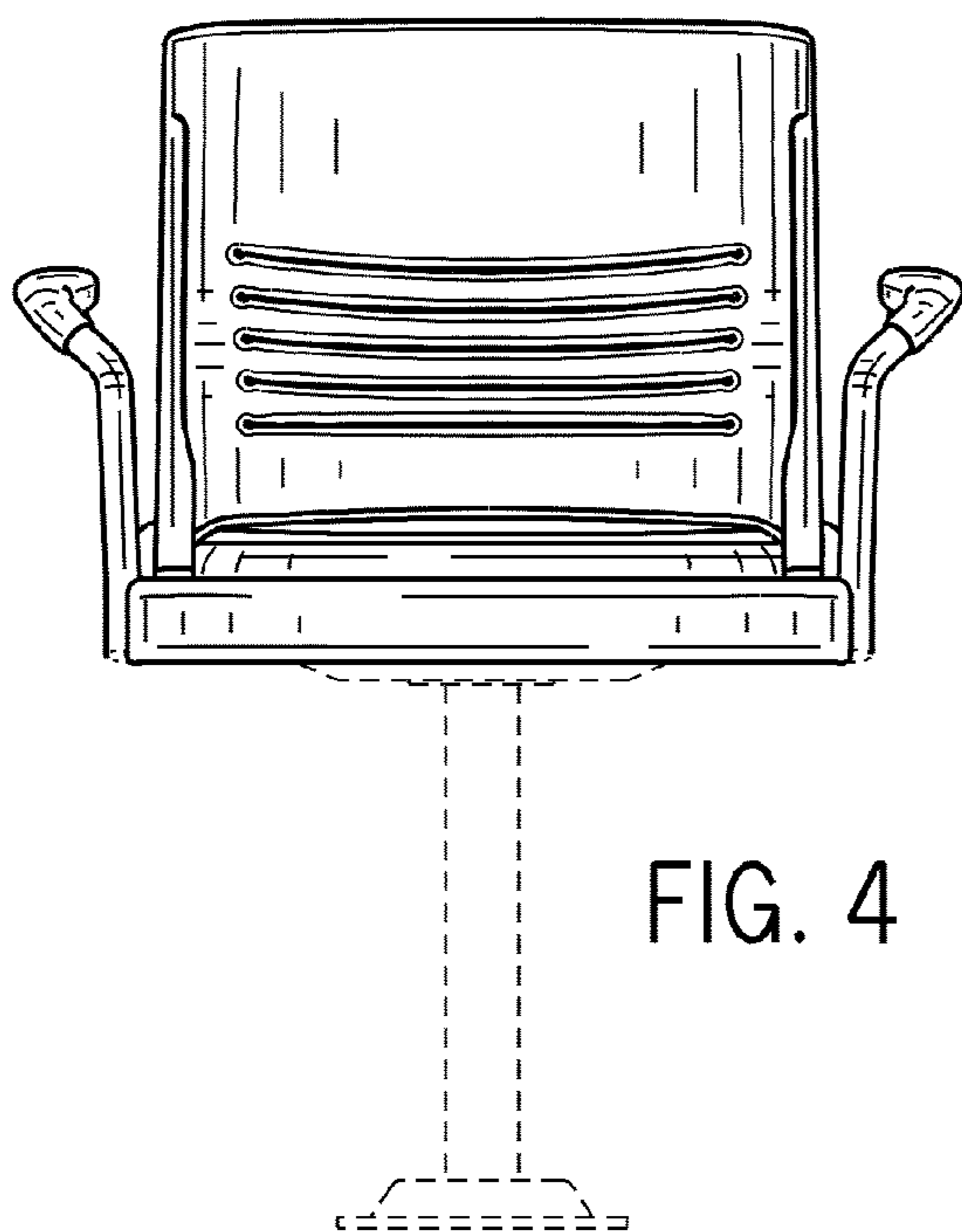
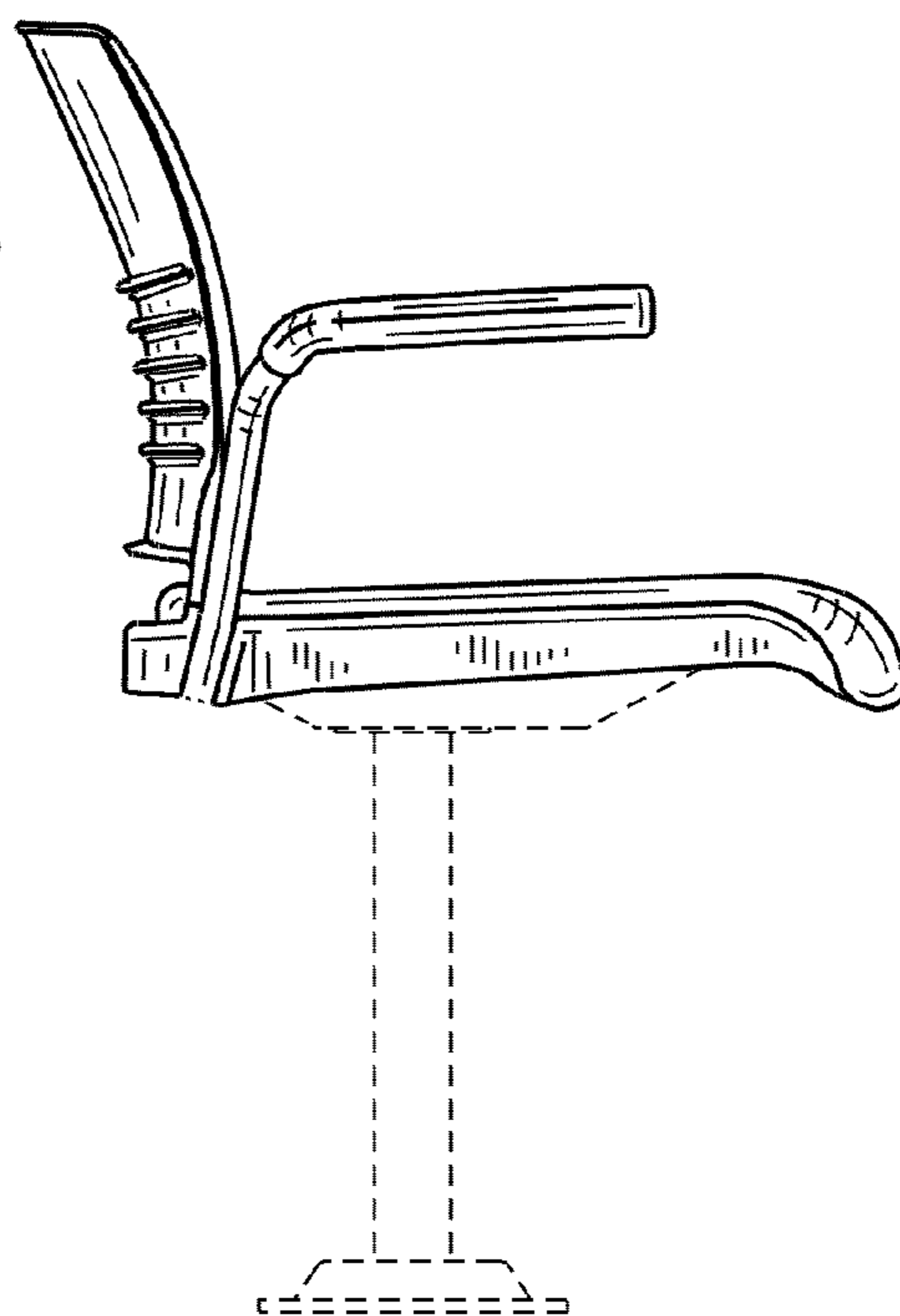


FIG. 4

FIG. 5

