



US00D637836S

(12) **United States Design Patent**
Cortivo et al.

(10) **Patent No.:** **US D637,836 S**

(45) **Date of Patent:** **** May 17, 2011**

(54) **DESK**

(75) Inventors: **Paolo Cortivo**, Treviso (IT); **Piergiorgio Polloni**, Treviso (IT); **Stefano Gabriel**, Treviso (IT)

(73) Assignee: **Quadrifoglio Sistemi D'Arredo S.p.A.**, Mansue Frazione Basalghelle (IT)

(**) Term: **14 Years**

(21) Appl. No.: **29/347,688**

(22) Filed: **Apr. 12, 2010**

Related U.S. Application Data

(62) Division of application No. 29/311,762, filed on Jun. 15, 2009, now abandoned.

Foreign Application Priority Data

Dec. 22, 2008 (EM) 001061220

(51) **LOC (9) Cl.** **06-03**

(52) **U.S. Cl.** **D6/480**

(58) **Field of Classification Search** D6/480-489,
D6/495-499; 108/153.1, 156, 157.1, 161,
108/50.01, 50.02, 25, 26; 248/188, 188.1,
248/188.8

See application file for complete search history.

(56) **References Cited**

U.S. PATENT DOCUMENTS

1,911,750 A * 5/1933 Collignon 108/36
D281,555 S * 12/1985 Levy D6/406.6

D456,180 S * 4/2002 Satoshi D6/480
6,895,868 B1 * 5/2005 Cronk et al. 108/50.02
D510,492 S * 10/2005 Sakurai et al. D6/495
D558,489 S * 1/2008 Christensen D6/484
D588,842 S * 3/2009 Saotome D6/480
D608,568 S * 1/2010 Manz D6/480
D614,889 S * 5/2010 Van Duysen D6/484
2006/0042520 A1 * 3/2006 Stevens et al. 108/50.02
2008/0127864 A1 * 6/2008 Garcia 108/50.01
2009/0165679 A1 * 7/2009 Bakker et al. 108/50.02

* cited by examiner

Primary Examiner — Janice E Seeger

(74) *Attorney, Agent, or Firm* — Modiano & Associati;
Albert Josif; Daniel O'Byrne

(57) **CLAIM**

The ornamental design for a desk, as shown.

DESCRIPTION

FIG. 1 is a perspective view of a desk showing our new design;

FIG. 2 is a front view thereof;

FIG. 3 is a rear view thereof;

FIG. 4 is a left side view thereof;

FIG. 5 is a right side view thereof;

FIG. 6 is a top view thereof;

FIG. 7 is a bottom view thereof;

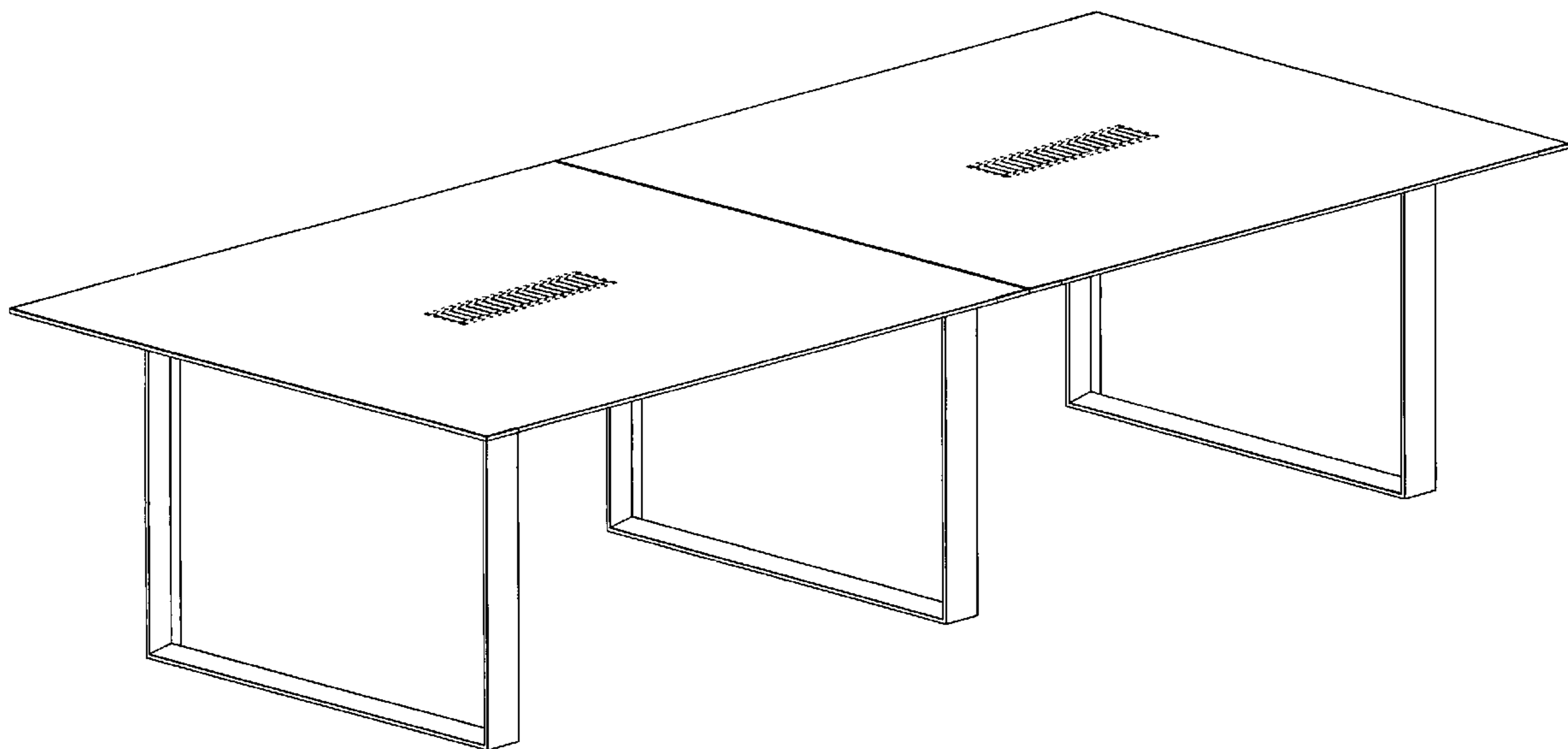
FIG. 8 is a first detail view thereof;

FIG. 9 is a second detail view thereof; and,

FIG. 10 is a third detail view thereof.

The broken lines are for environmental purposes only and form no part of the claimed design.

1 Claim, 7 Drawing Sheets



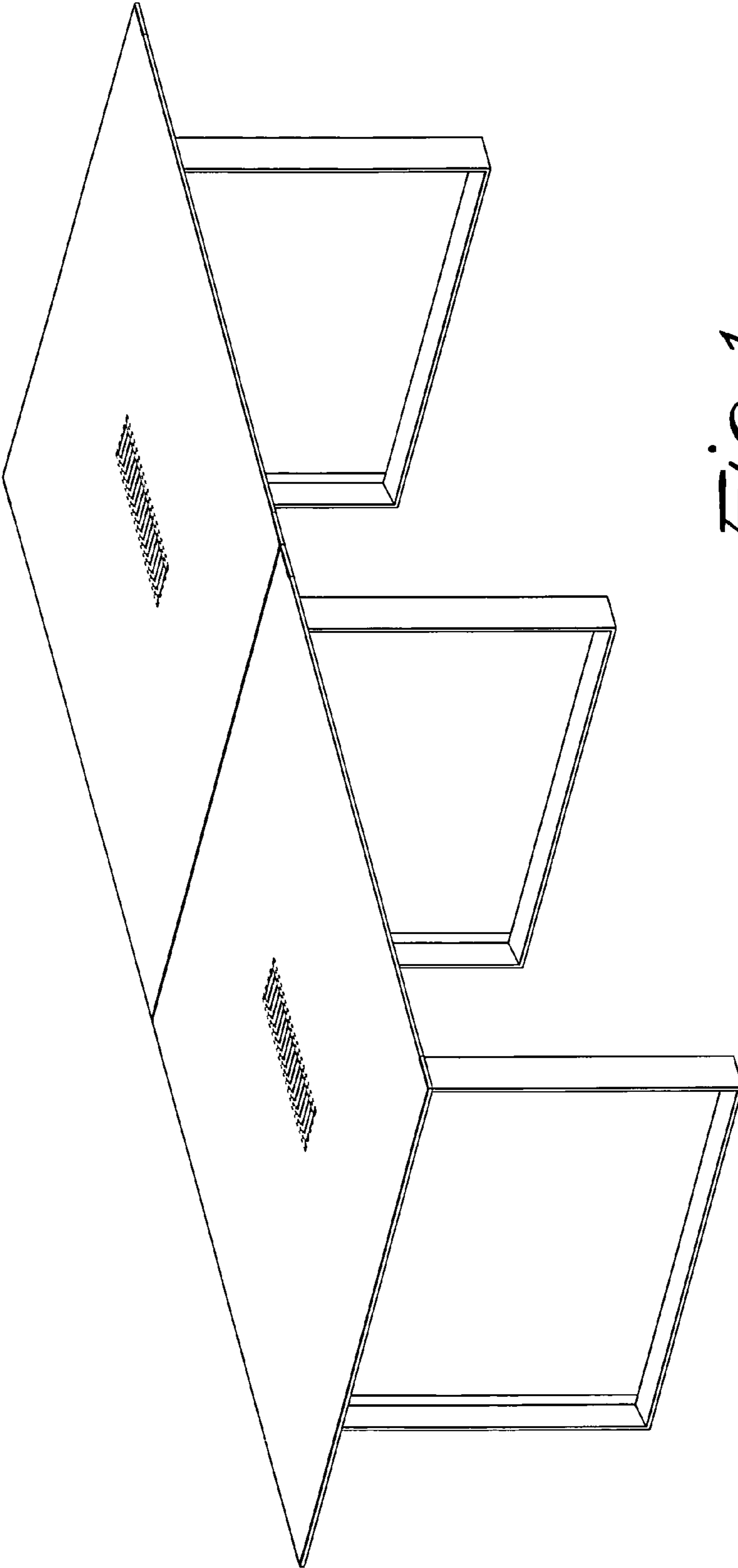


Fig. 1

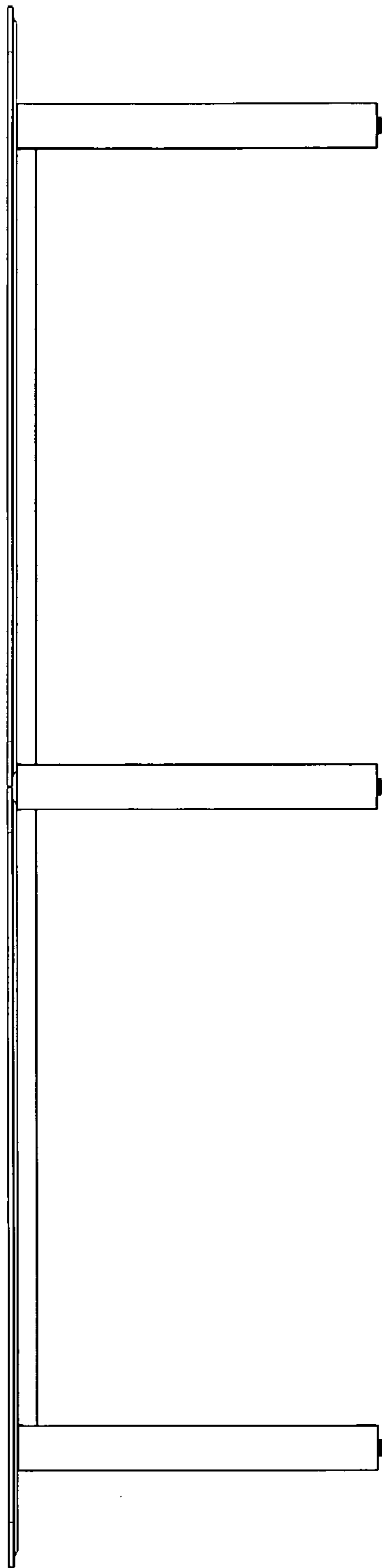


Fig. 2

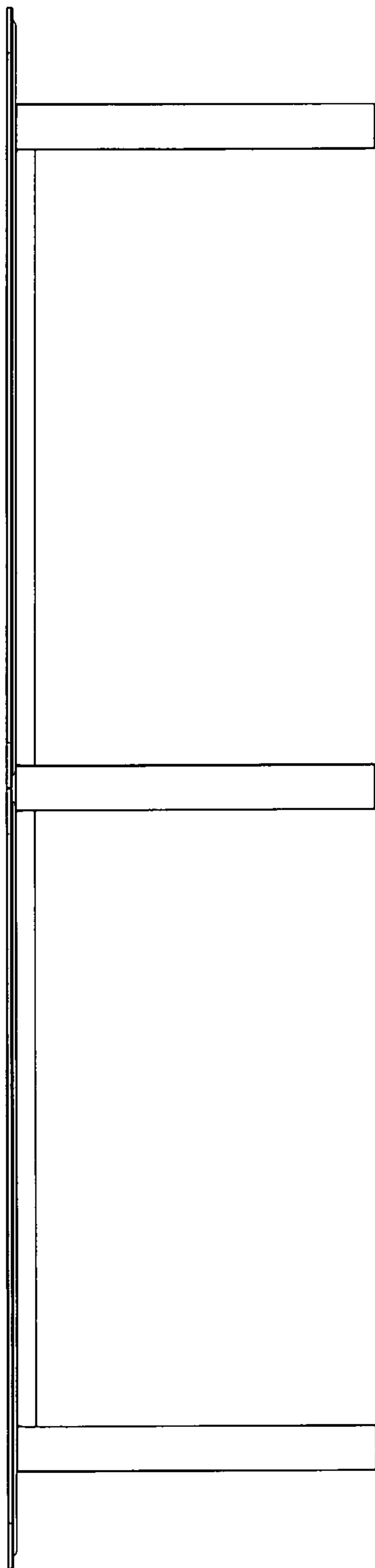


Fig. 3

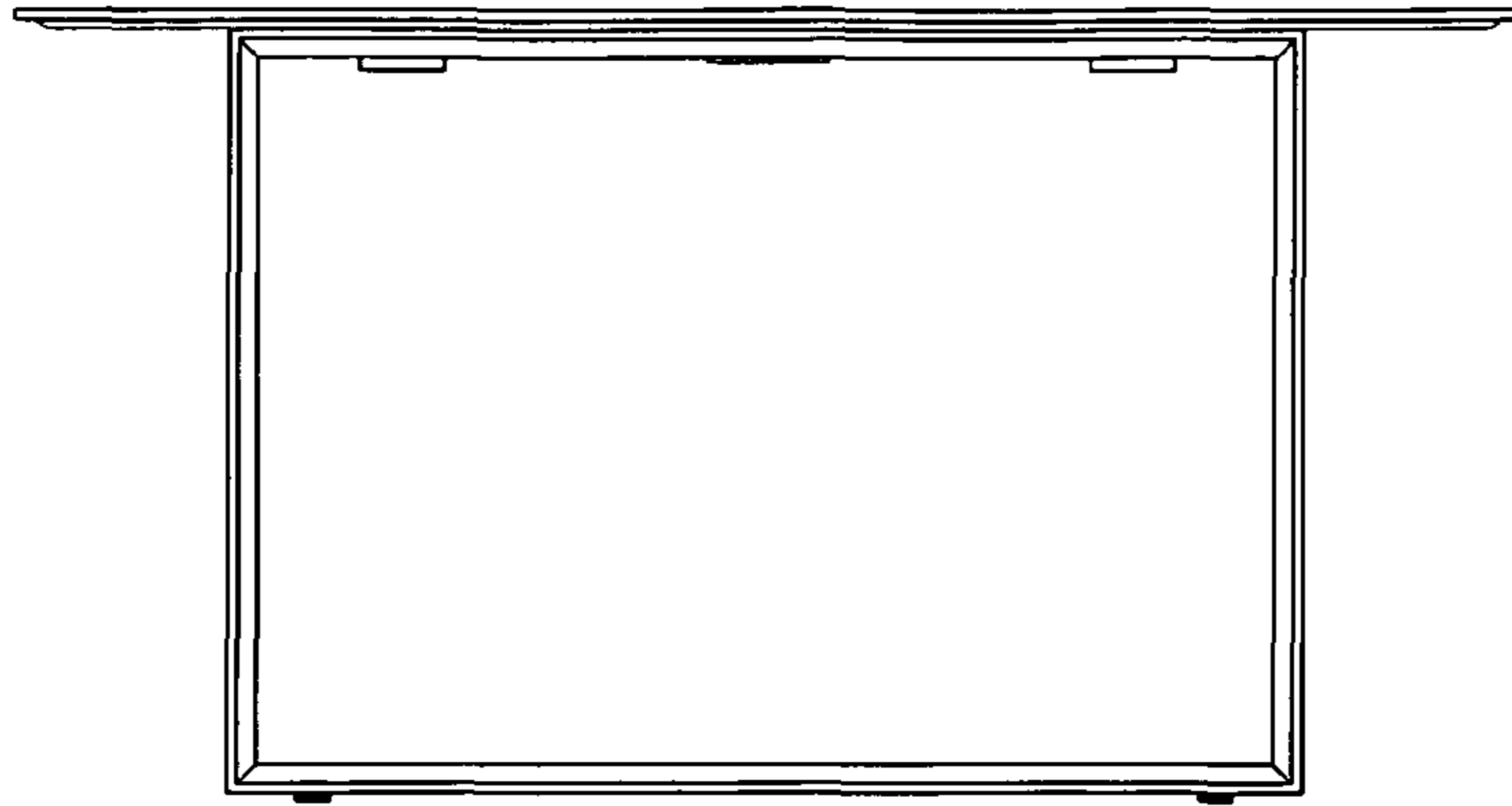


Fig. 4

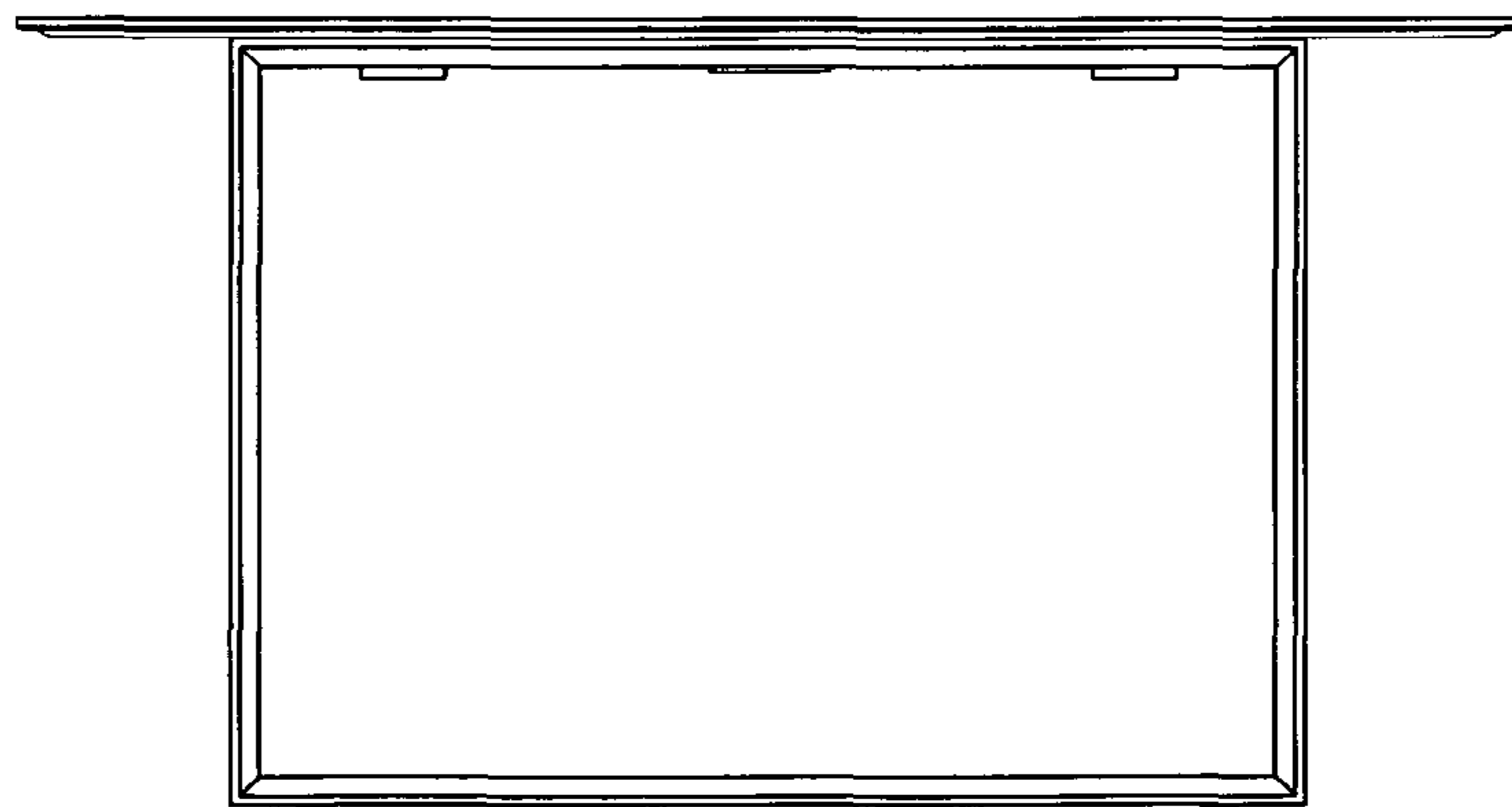


Fig. 5

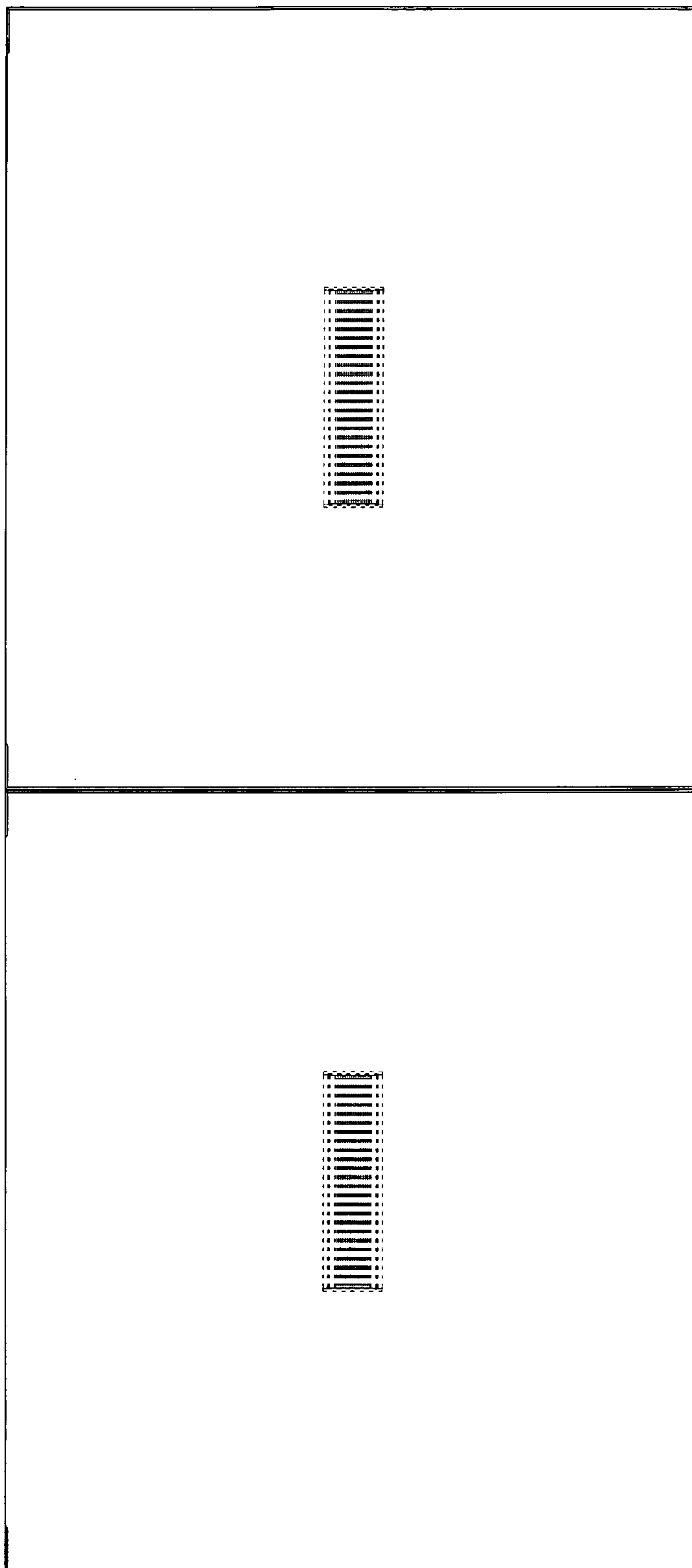


Fig. 6

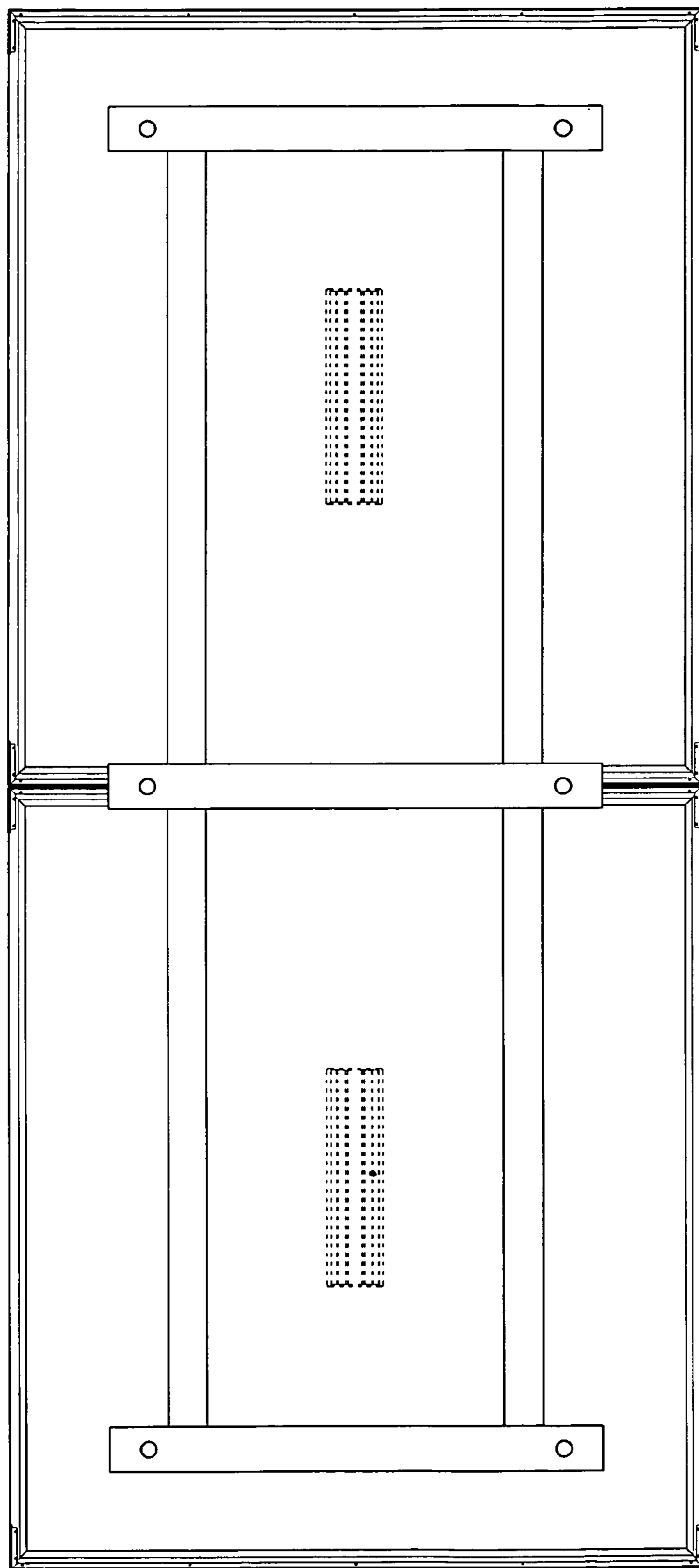


Fig. 7

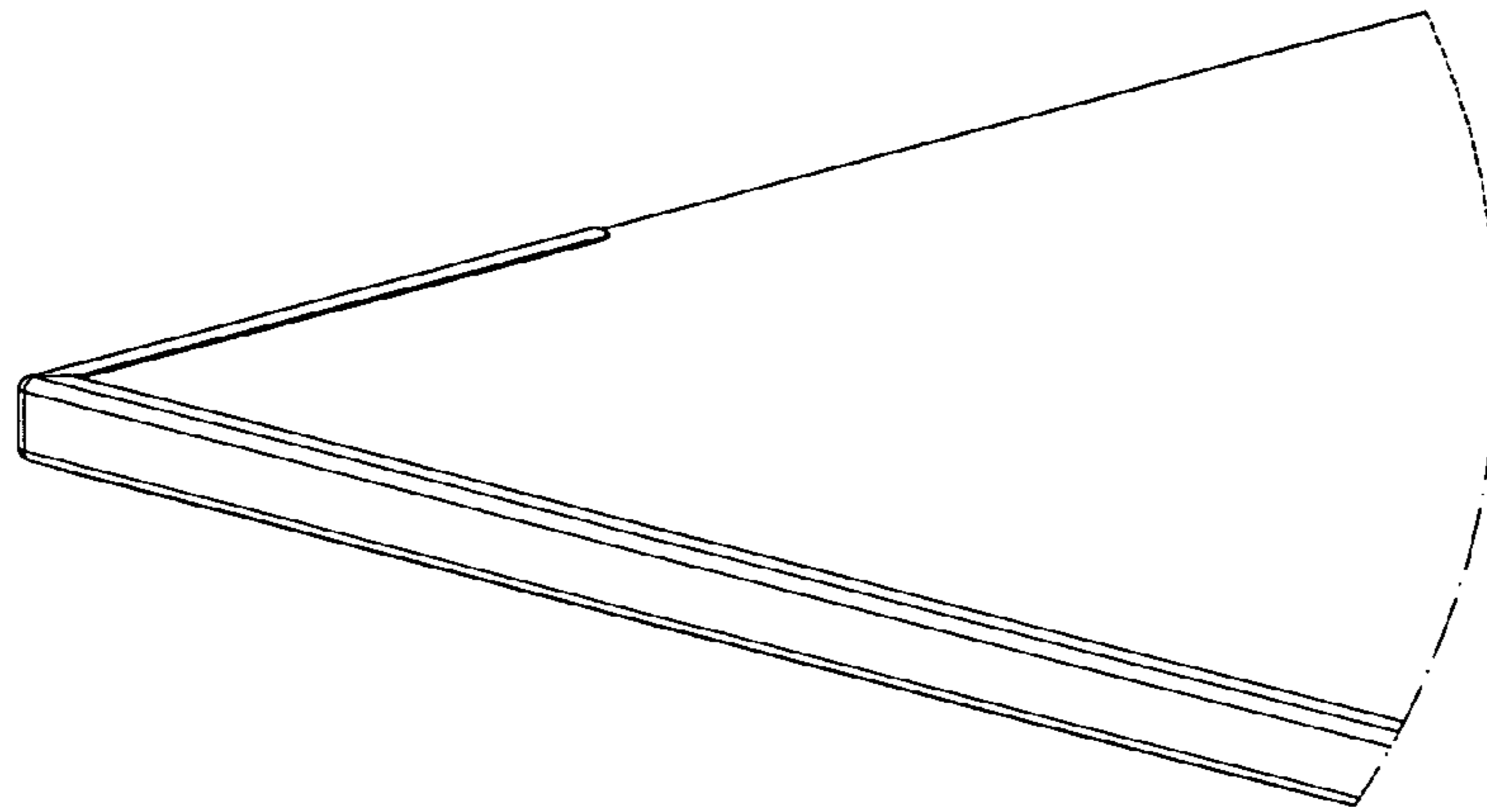


Fig. 8

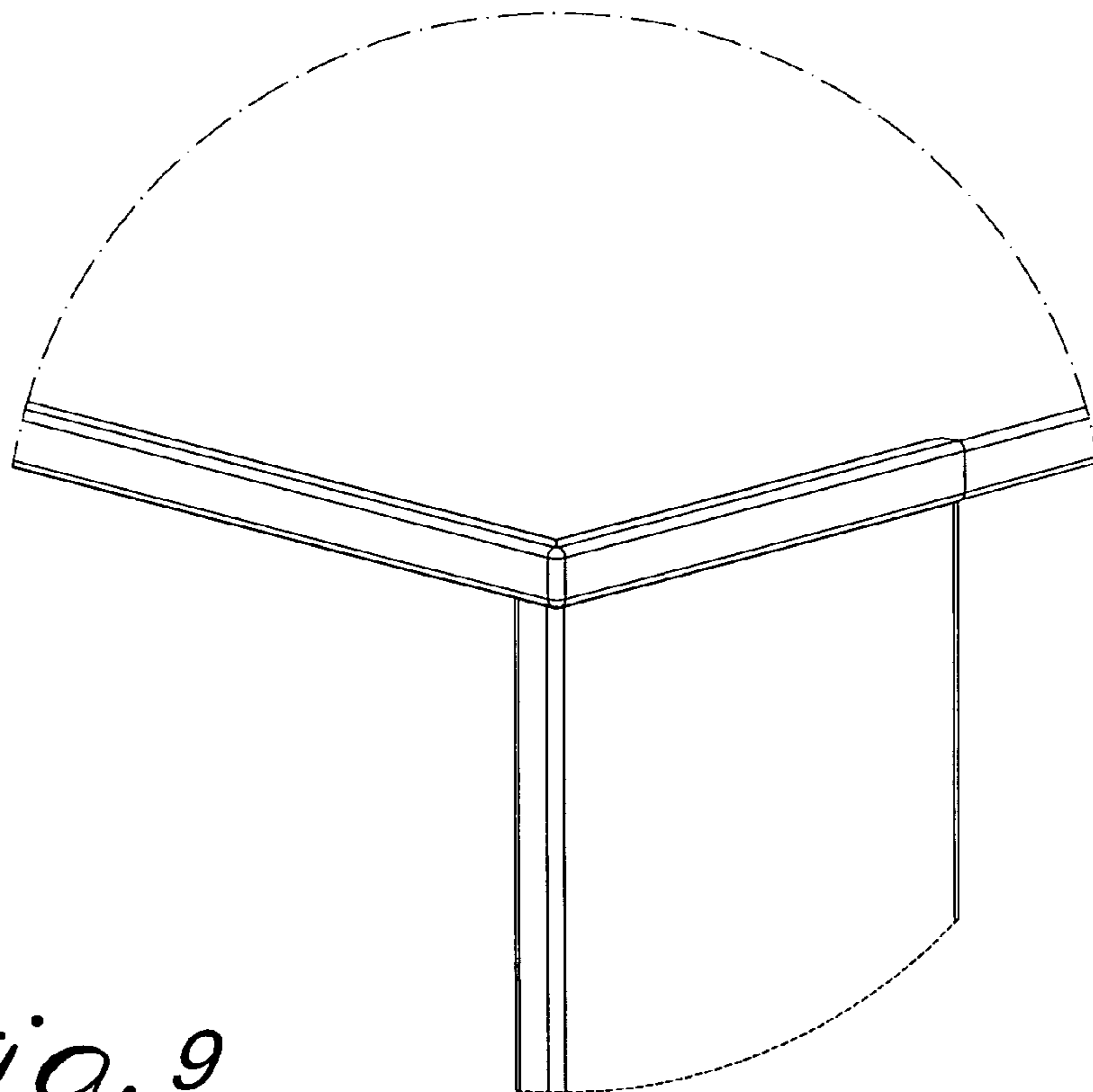


Fig. 9

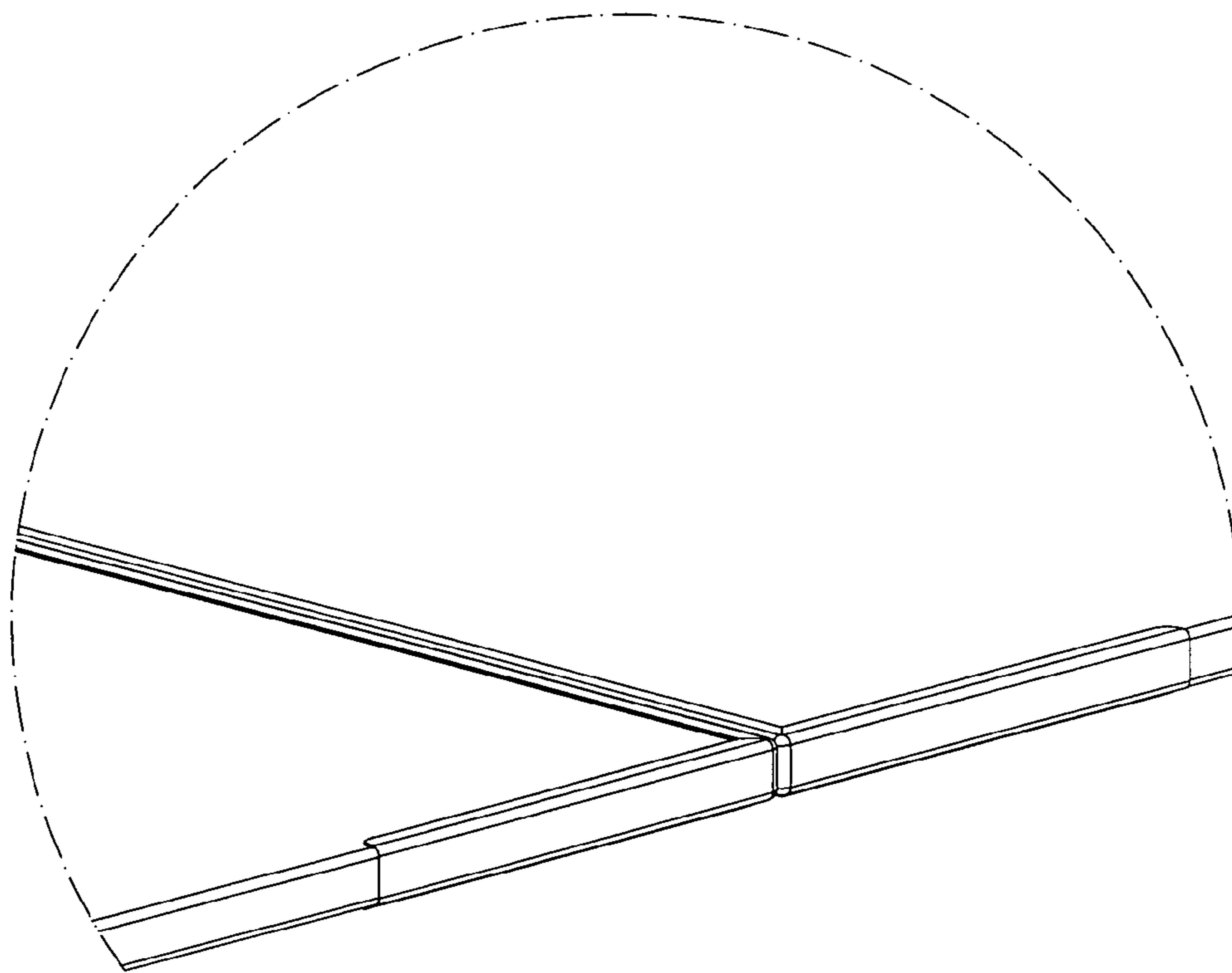


Fig. 10