



US00D637833S

(12) **United States Design Patent**
Russell

(10) **Patent No.:** **US D637,833 S**

(45) **Date of Patent:** **** May 17, 2011**

(54) **MODULAR REVOLVING GARDEN STAKE**

D391,419 S * 3/1998 Walters et al. D6/404
6,595,377 B1 7/2003 Hetu
2005/0082244 A1 4/2005 Ho

(76) Inventor: **Kevin J. Russell**, Alpena, MI (US)

* cited by examiner

(**) Term: **14 Years**

Primary Examiner — Garth Rademaker

(21) Appl. No.: **29/368,371**

(74) *Attorney, Agent, or Firm* — Montgomery Patent and Design; Robert C. Montgomery; Joseph T. Yaksich

(22) Filed: **Aug. 23, 2010**

(51) **LOC (9) Cl.** **11-02**

(57) **CLAIM**

(52) **U.S. Cl.** **D6/405; D8/1**

The ornamental design for a modular revolving garden stake, as shown and described.

(58) **Field of Classification Search** D6/403–405,

D6/556–558; D8/1; D11/143–156, 164;
D19/77, 80, 81, 84; D25/100; D26/9–11,
D26/16, 19; D34/1, 2, 4–6; D99/5, 19; 47/17,
47/32.4, 32.5, 32.7, 33, 39, 41.01, 41.1, 41.11–41.15,
47/44–47, 65, 65.5, 65.9, 66.1, 66.2, 66.6,
47/66.7, 67–71

DESCRIPTION

See application file for complete search history.

FIG. 1 is a perspective view of a modular revolving garden stake, showing my new design;
FIG. 2 is an exploded view thereof;
FIG. 3 is a front view thereof;
FIG. 4 is a rear view thereof;
FIG. 5 is left side view thereof with a right side view being a mirror image;
FIG. 6 is a top view thereof; and,
FIG. 7 is a bottom view thereof.
FIGS. 6 and 7 are depicted slightly enlarged for clarity of illustration.

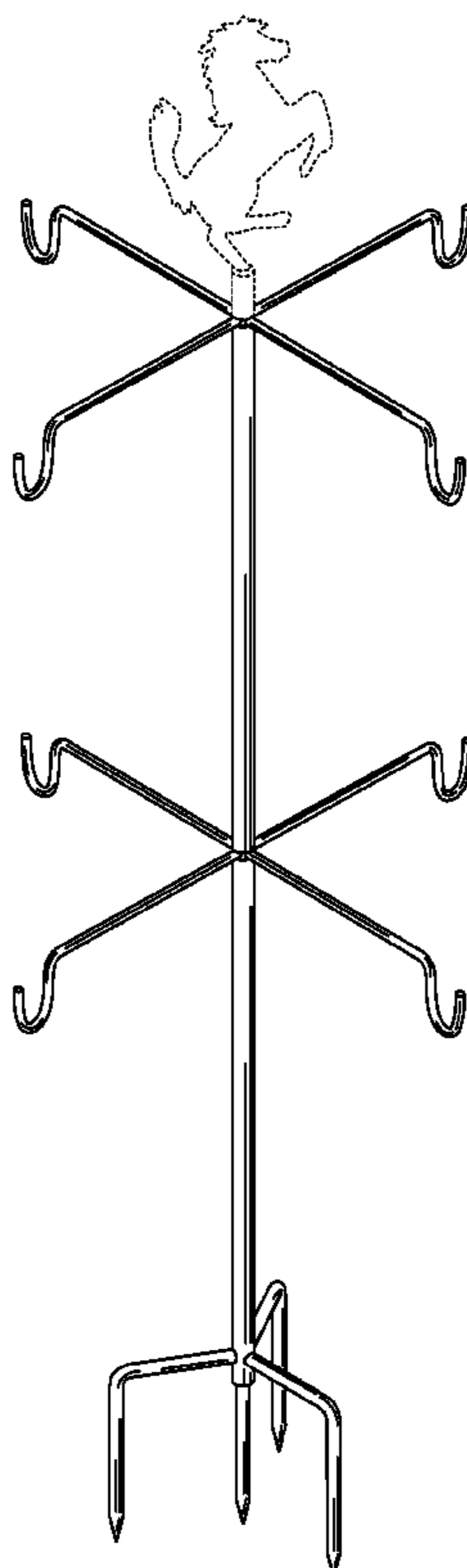
(56) **References Cited**

U.S. PATENT DOCUMENTS

75,636 A * 3/1868 Lamont 47/47
1,958,716 A * 5/1934 Roach et al. 47/47
D202,464 S 10/1965 Silverstein et al.
D204,435 S 4/1966 Hersh et al.
D242,753 S * 12/1976 Christen, Jr. D6/403
4,750,627 A 6/1988 Myers
4,770,303 A 9/1988 Boyd
4,865,283 A 9/1989 Parker
D306,681 S * 3/1990 Toca, III D8/1
D361,444 S 8/1995 Egan
D387,216 S * 12/1997 Stone D6/405

The broken line showing of an ornament is for the purpose of illustrating interchangeable cap ornamentation and the broken line showing of a center line is for the purpose of illustrating modular attachment and forms no part of the claimed design.

1 Claim, 7 Drawing Sheets



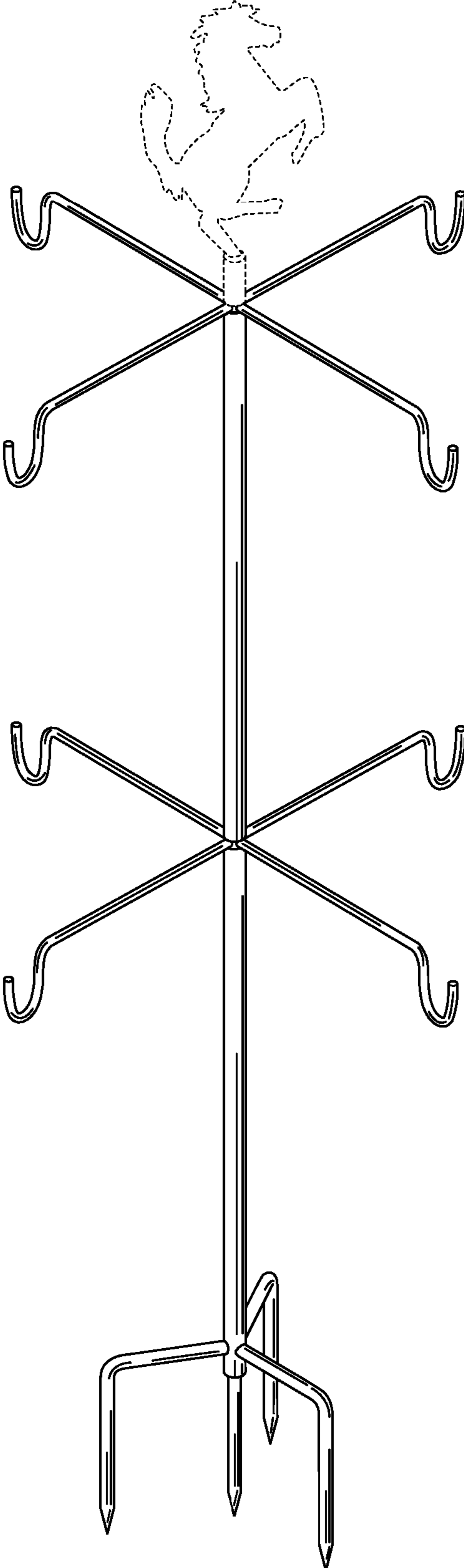


Fig. 1

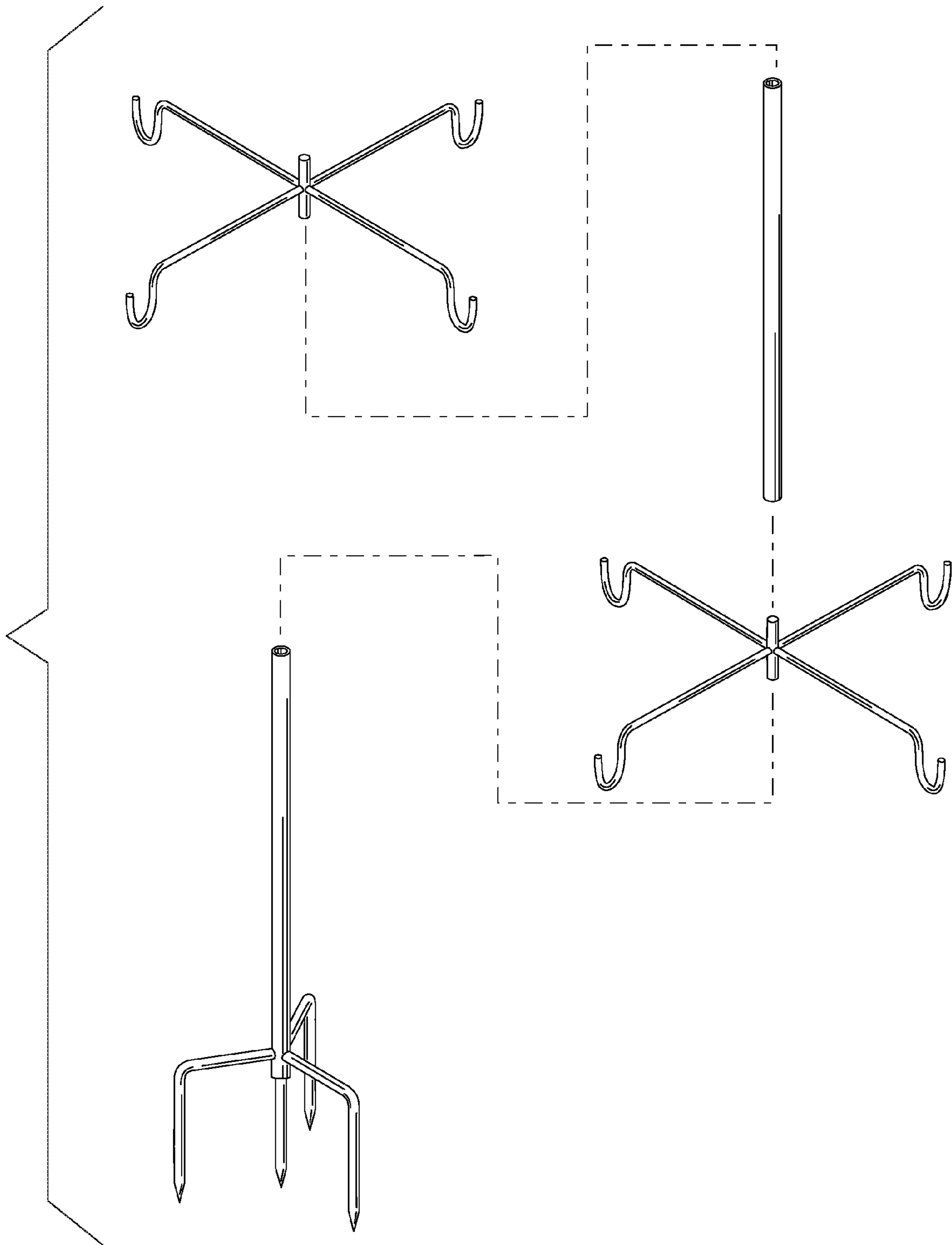


Fig. 2

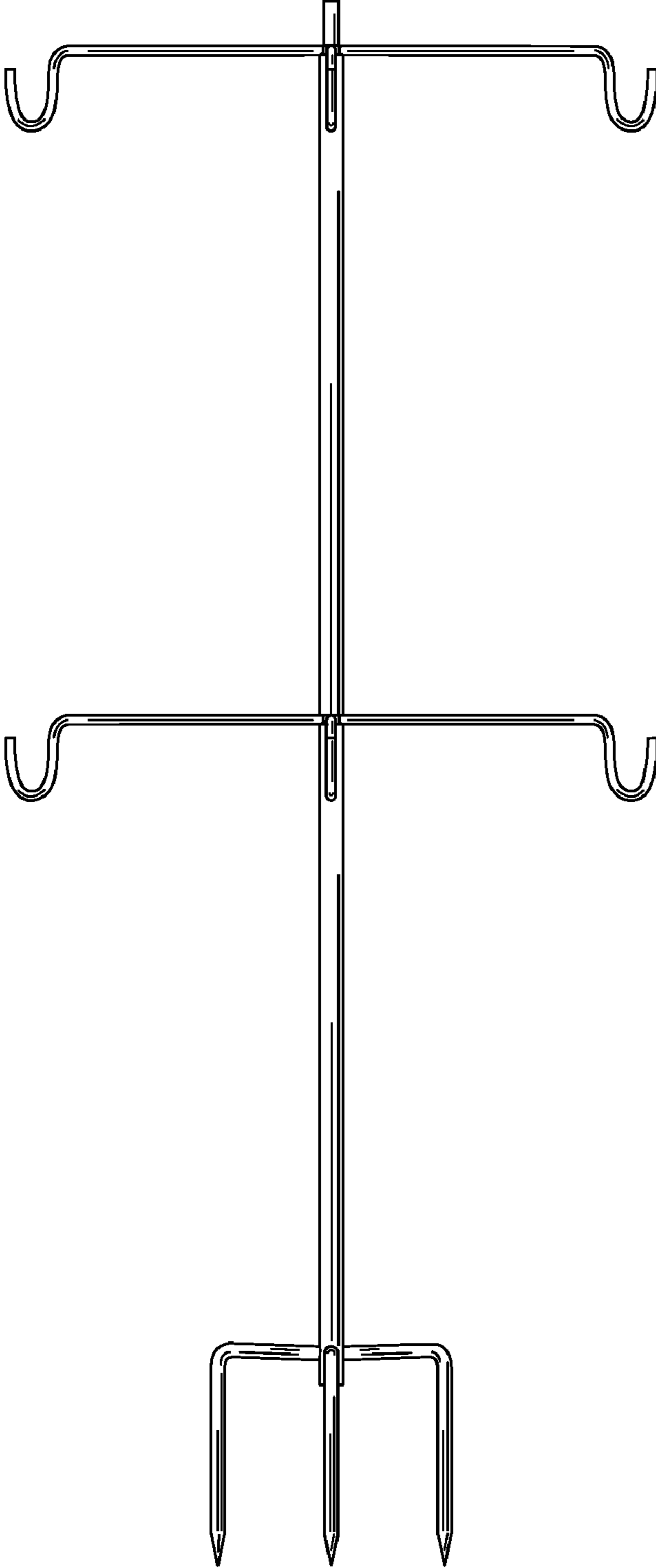


Fig. 3

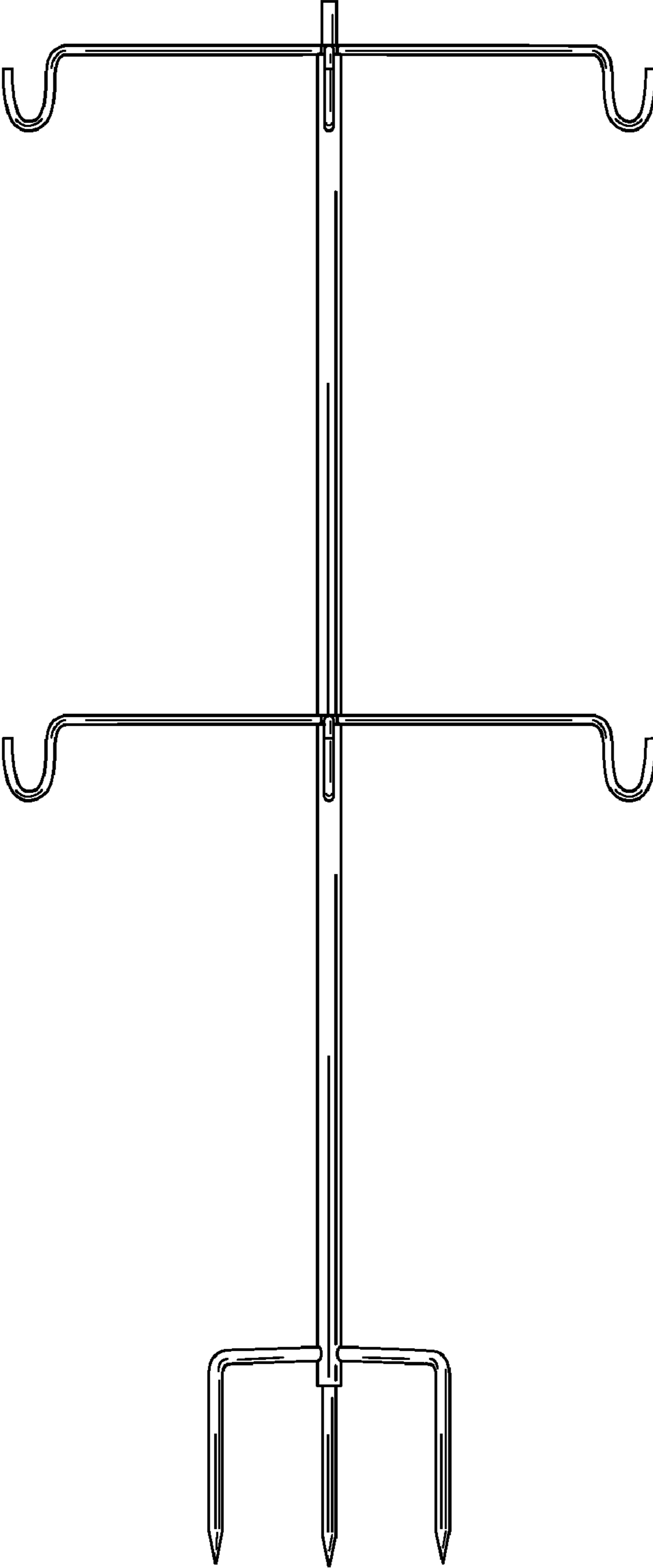


Fig. 4

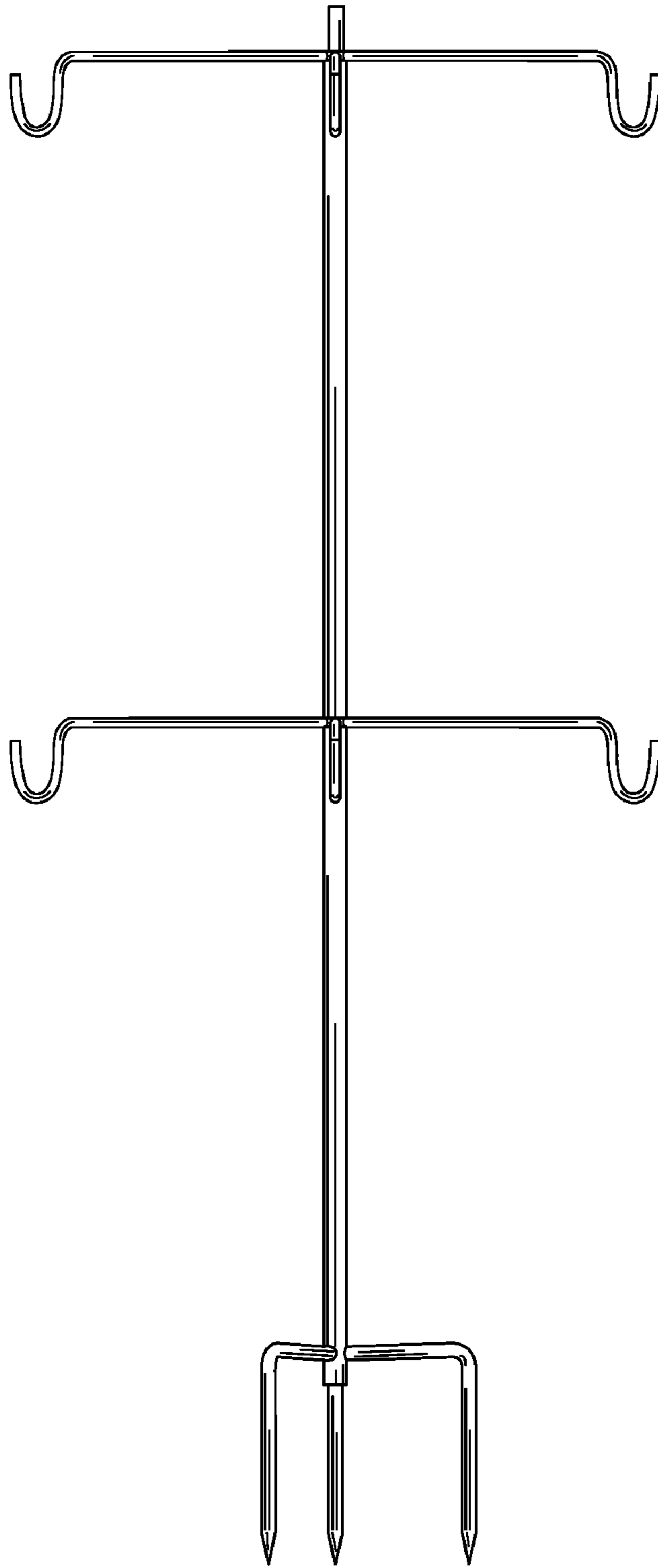


Fig. 5

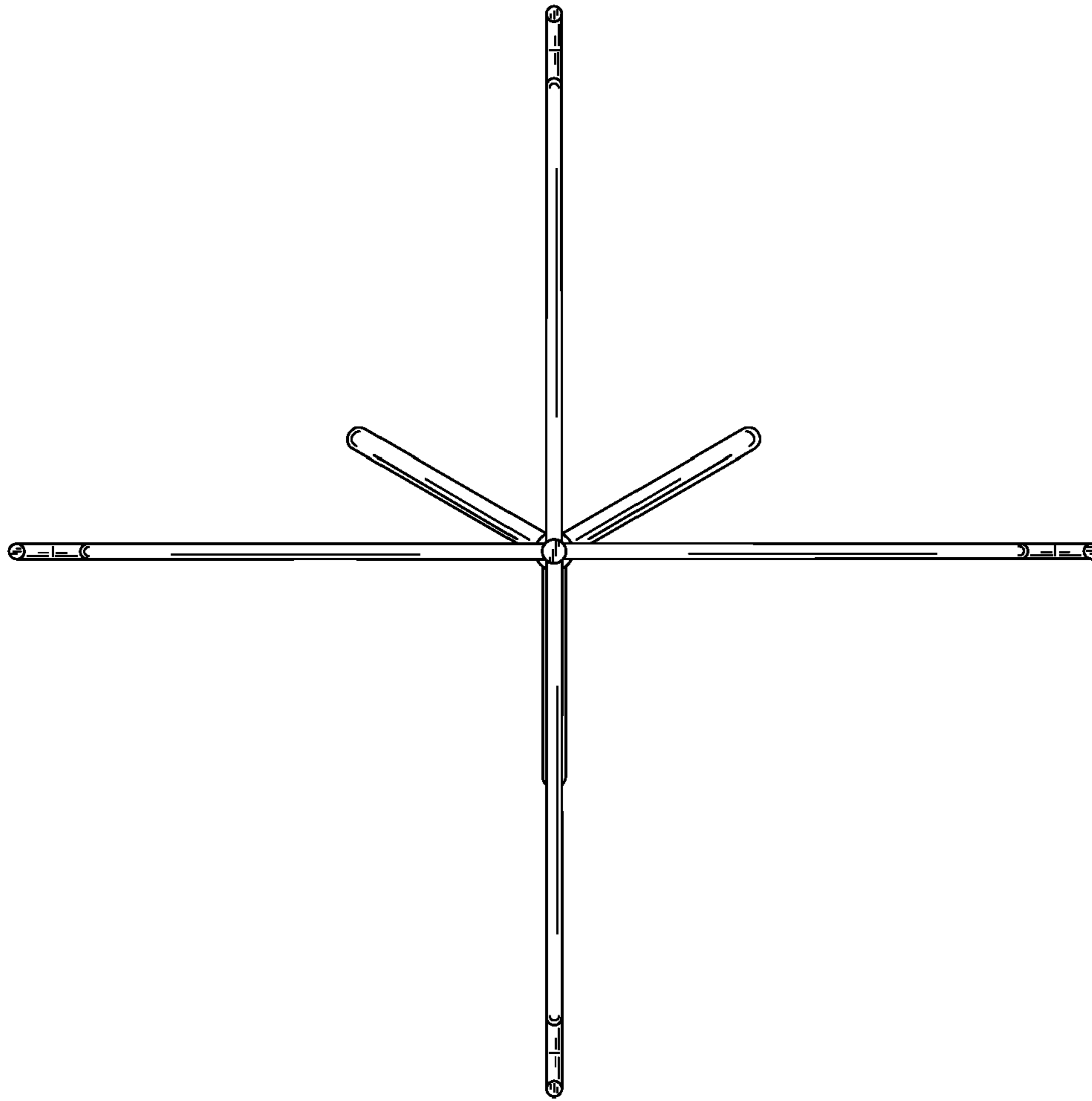


Fig. 6

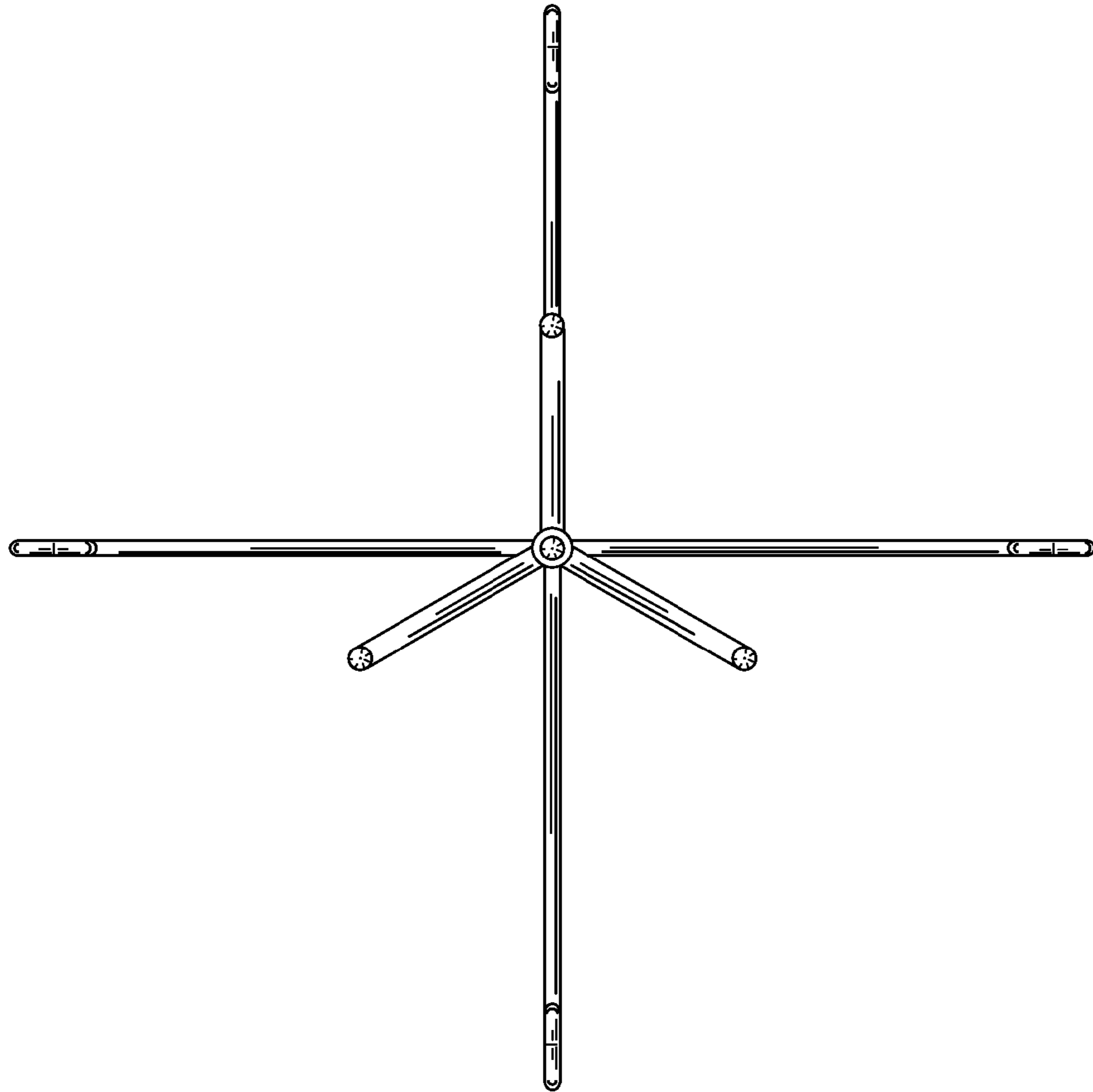


Fig. 7