



US00D637831S

(12) **United States Design Patent**  
**Aubry et al.**

(10) **Patent No.:** **US D637,831 S**  
(45) **Date of Patent:** **\*\* May 17, 2011**

(54) **CHAIR**

(75) Inventors: **Clodagh Aubry**, New York, NY (US);  
**Brendan Keim**, Brooklyn, NY (US);  
**Katie Miller**, Brooklyn, NY (US)

(73) Assignee: **Baker, Knapp & Tubbs, Inc.**, Hickory,  
NC (US)

(\*\*) Term: **14 Years**

(21) Appl. No.: **29/337,087**

(22) Filed: **May 14, 2009**

(51) **LOC (9) Cl.** ..... **06-01**

(52) **U.S. Cl.** ..... **D6/375; D6/379**

(58) **Field of Classification Search** ..... D6/334-336,  
D6/349, 360, 370, 371, 372, 373, 374, 375,  
D6/376, 379, 380, 500-502; 297/445.1,  
297/446.1, 448.1, 449.1, 452.13, 452.18,  
297/452.632

See application file for complete search history.

(56) **References Cited**

**U.S. PATENT DOCUMENTS**

D182,888 S	5/1958	Forbes	
D202,426 S	9/1965	Jakobsen	
D215,837 S	* 11/1969	Stephens	D6/375
D269,056 S	5/1983	Claman	
D270,594 S	9/1983	Claman	
4,586,751 A	5/1986	McGuire	
D320,510 S	* 10/1991	Ivicevic	D6/379
D340,590 S	10/1993	McGuire et al.	
D352,623 S	11/1994	McGuire	
D380,105 S	6/1997	Diaz-Azcuy	
D380,307 S	7/1997	Diaz-Azcuy	
D380,308 S	7/1997	Diaz-Azcuy	
D380,309 S	7/1997	Diaz-Azcuy	
D380,310 S	7/1997	Diaz-Azcuy	
D380,311 S	7/1997	Diaz-Azcuy	
D380,312 S	7/1997	Diaz-Azcuy	
D386,912 S	12/1997	Diaz-Azcuy	
D390,031 S	2/1998	Diaz-Azcuy	
D395,174 S	6/1998	Diaz-Azcuy	

D411,693 S	6/1999	Navone
D412,408 S	8/1999	Navone
D413,448 S	9/1999	Navone
D418,687 S	1/2000	Tihany
D421,851 S	3/2000	Tihany
D421,852 S	3/2000	Tihany
D421,853 S	3/2000	Black
D422,156 S	4/2000	Black
D422,422 S	4/2000	Black
D423,804 S	5/2000	Tihany
D424,825 S	5/2000	Tihany
D427,795 S	7/2000	Tihany
D431,117 S	9/2000	Hutton
D439,068 S	3/2001	Vanderbyl

(Continued)

*Primary Examiner* — Mimosa De

(74) *Attorney, Agent, or Firm* — Merchant & Gould PC

(57) **CLAIM**

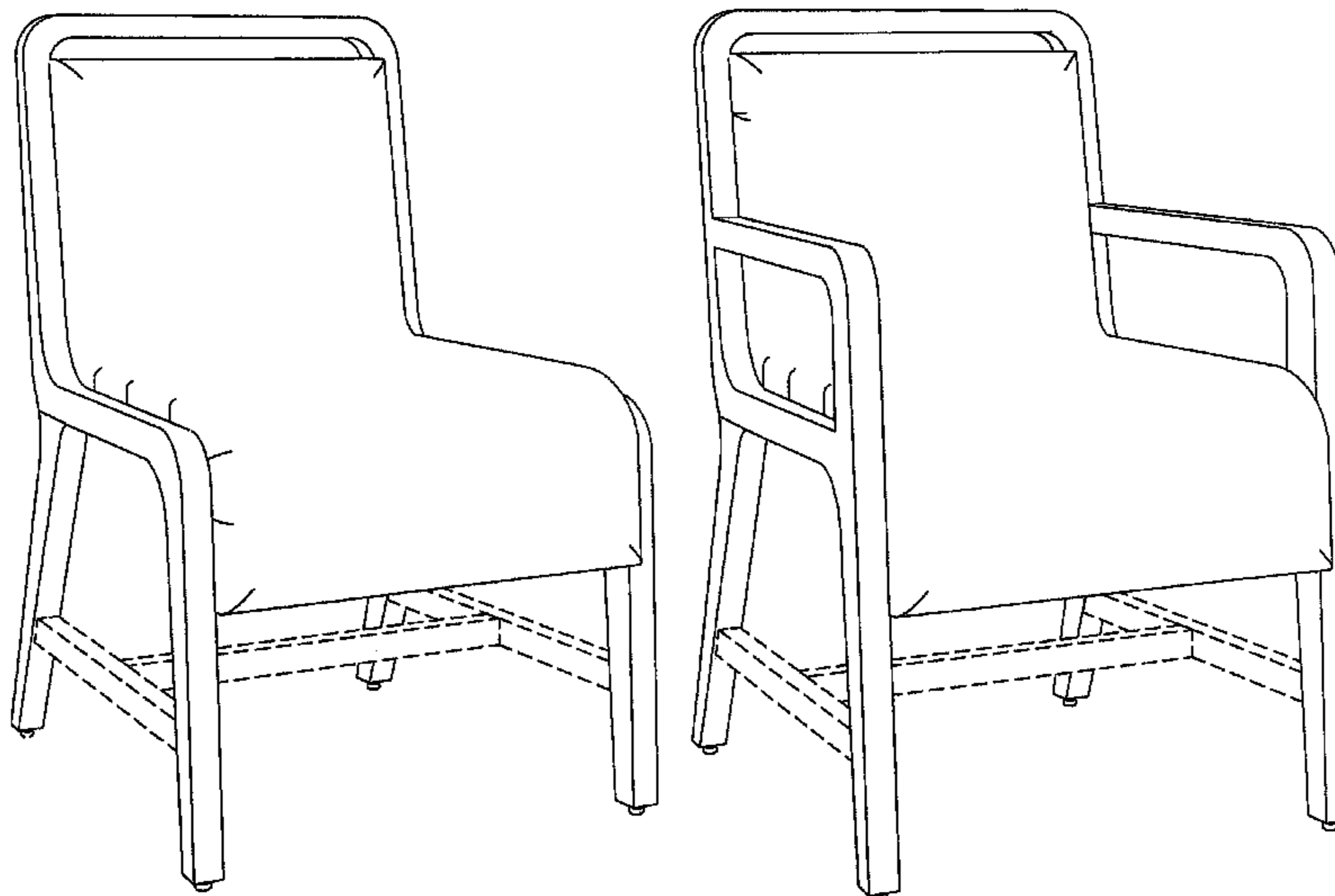
The ornamental design for a chair, as shown and described.

**DESCRIPTION**

FIG. 1 is a front perspective view of a first embodiment of a chair showing my new design;  
 FIG. 2 is a rear perspective view thereof;  
 FIG. 3 is a front elevational view thereof;  
 FIG. 4 is a rear elevational view thereof;  
 FIG. 5 is a right side elevational view thereof, a left side elevational view being a mirror image thereof;  
 FIG. 6 is a top plan view thereof;  
 FIG. 7 is a front perspective view of a second embodiment of a chair showing my new design;  
 FIG. 8 is a rear perspective view thereof;  
 FIG. 9 is a front elevational view thereof;  
 FIG. 10 is a rear elevational view thereof;  
 FIG. 11 is a right side elevational view thereof, a left side elevational view being a mirror image thereof; and,  
 FIG. 12 is a top plan view thereof.

The bottom of the chair is disclaimed. The portions shown in broken lines form no part of the claimed design.

**1 Claim, 12 Drawing Sheets**



# US D637,831 S

Page 2

## U.S. PATENT DOCUMENTS

D445,575 S	7/2001	Shepard	
D446,956 S	8/2001	Black	
D448,939 S	10/2001	Shepard	
D450,944 S	11/2001	Shepard et al.	
D460,872 S	7/2002	Diaz-Azcuy	
D461,065 S	8/2002	Diaz-Azcuy	
D461,969 S	8/2002	Diaz-Azcuy	
D465,341 S	11/2002	Hutton	
D466,313 S	12/2002	Hutton	
6,491,345 B1	12/2002	Shepard	
D468,918 S *	1/2003	de Blois .....	D6/360
D477,720 S	7/2003	Diaz-Azcuy	
D488,310 S	4/2004	Berry et al.	
D495,512 S	9/2004	Diaz-Azcuy	
D504,782 S	5/2005	Moser	
D505,034 S	5/2005	Barry	
D513,455 S	1/2006	Risdon	
D514,359 S	2/2006	Risdon	
D521,265 S *	5/2006	Andersson .....	D6/375
D536,541 S	2/2007	Kreiss	
D557,921 S *	12/2007	Kane .....	D6/375
D560,076 S	1/2008	Moser	
D564,772 S *	3/2008	Alter Molina et al. ....	D6/375
D564,774 S	3/2008	Woods et al.	
D571,117 S *	6/2008	Molina et al. ....	D6/375
D575,961 S	9/2008	Kreiss	
D581,686 S *	12/2008	Miller et al. ....	D6/360
D603,613 S	11/2009	Wilson	

\* cited by examiner

FIG. 1

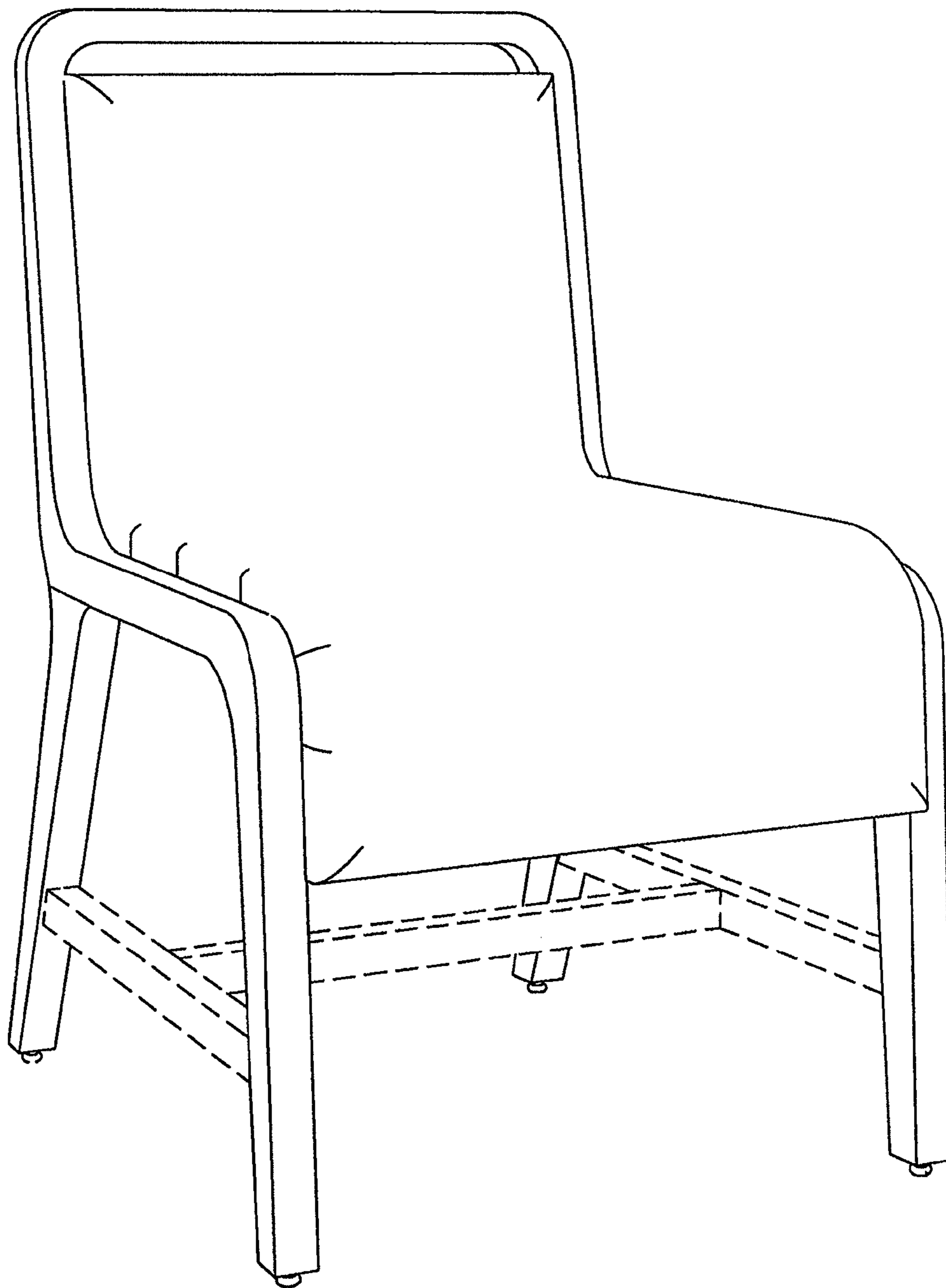


FIG. 2

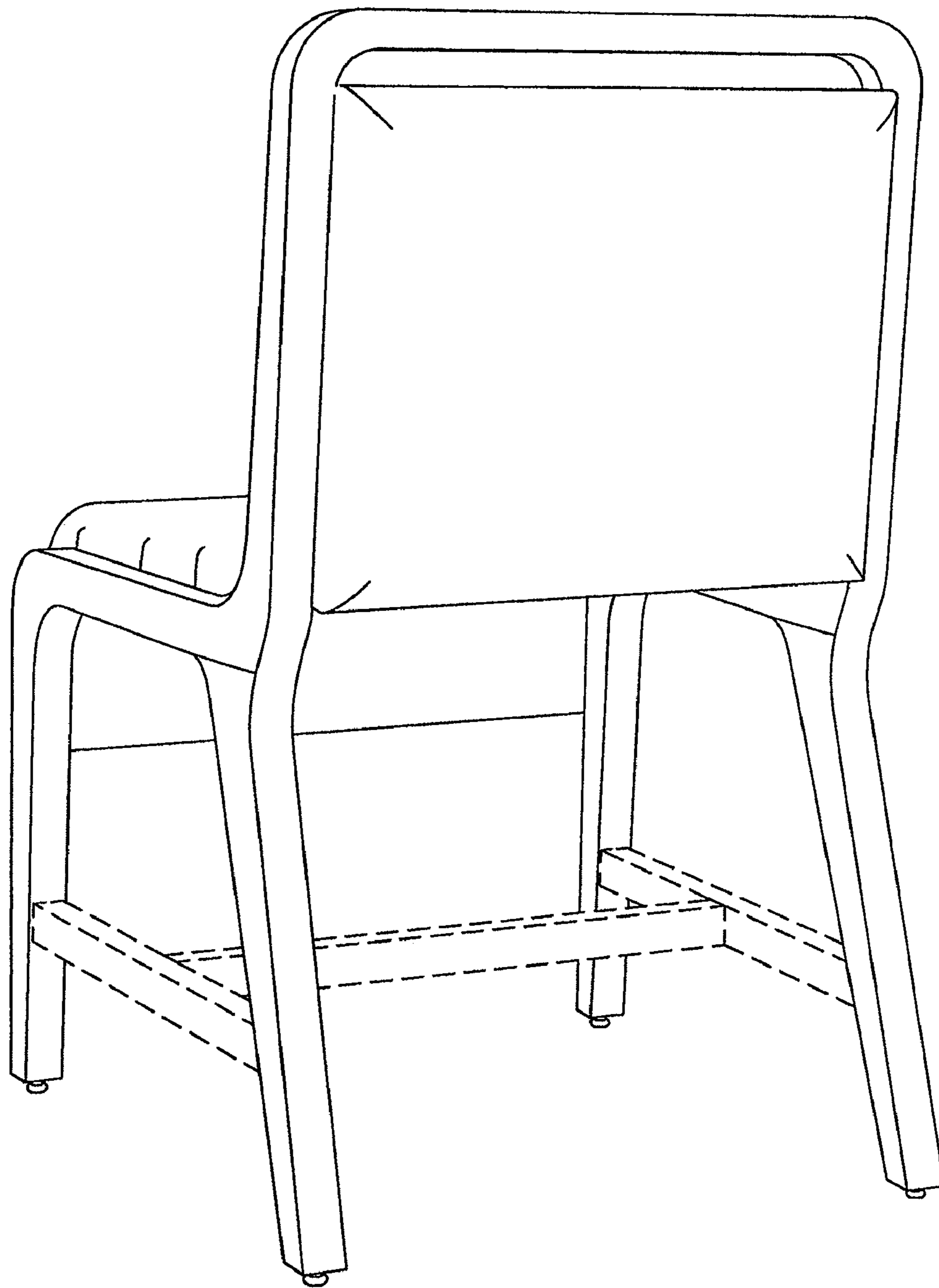


FIG. 3

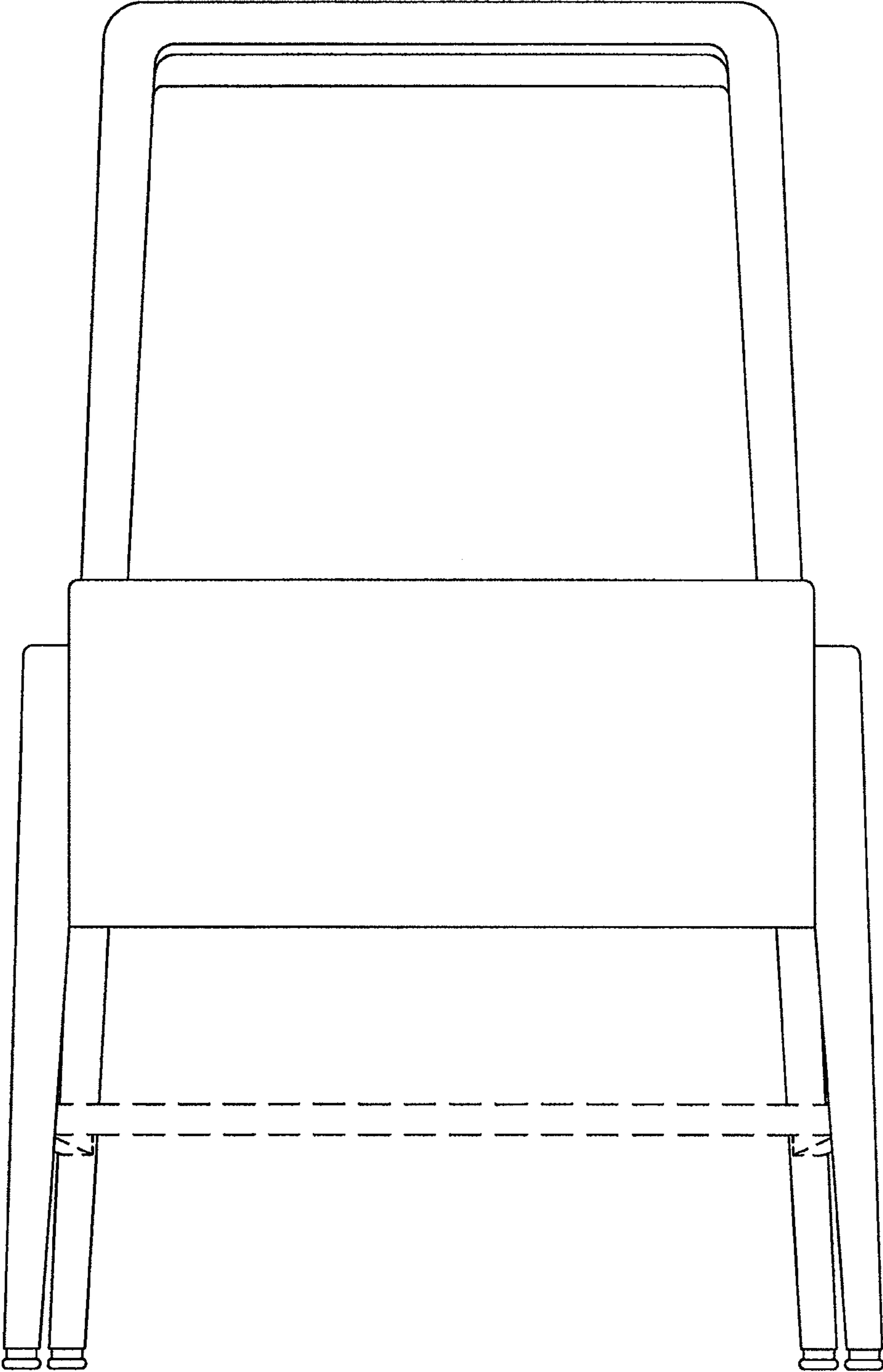


FIG. 4

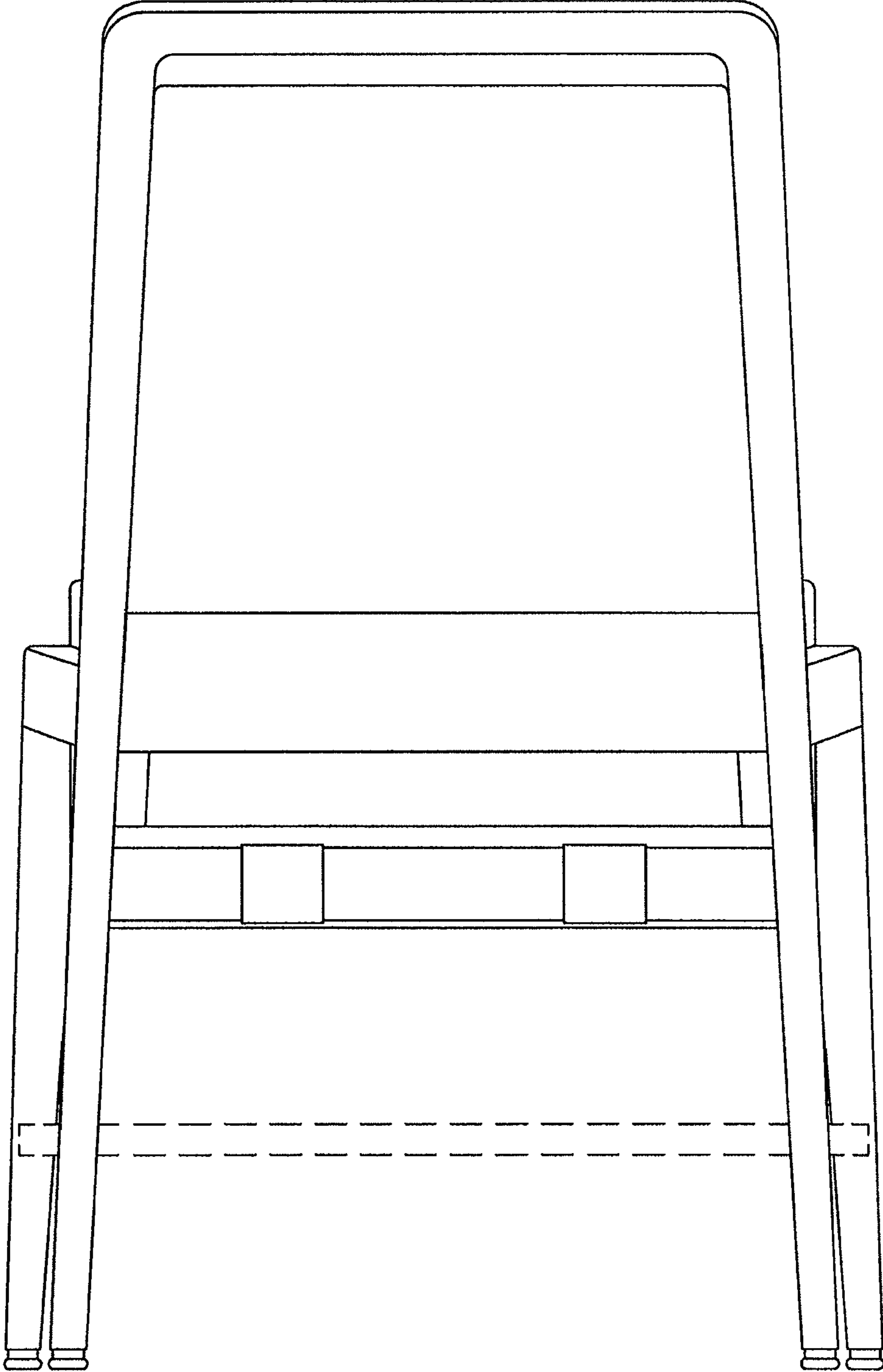


FIG. 5

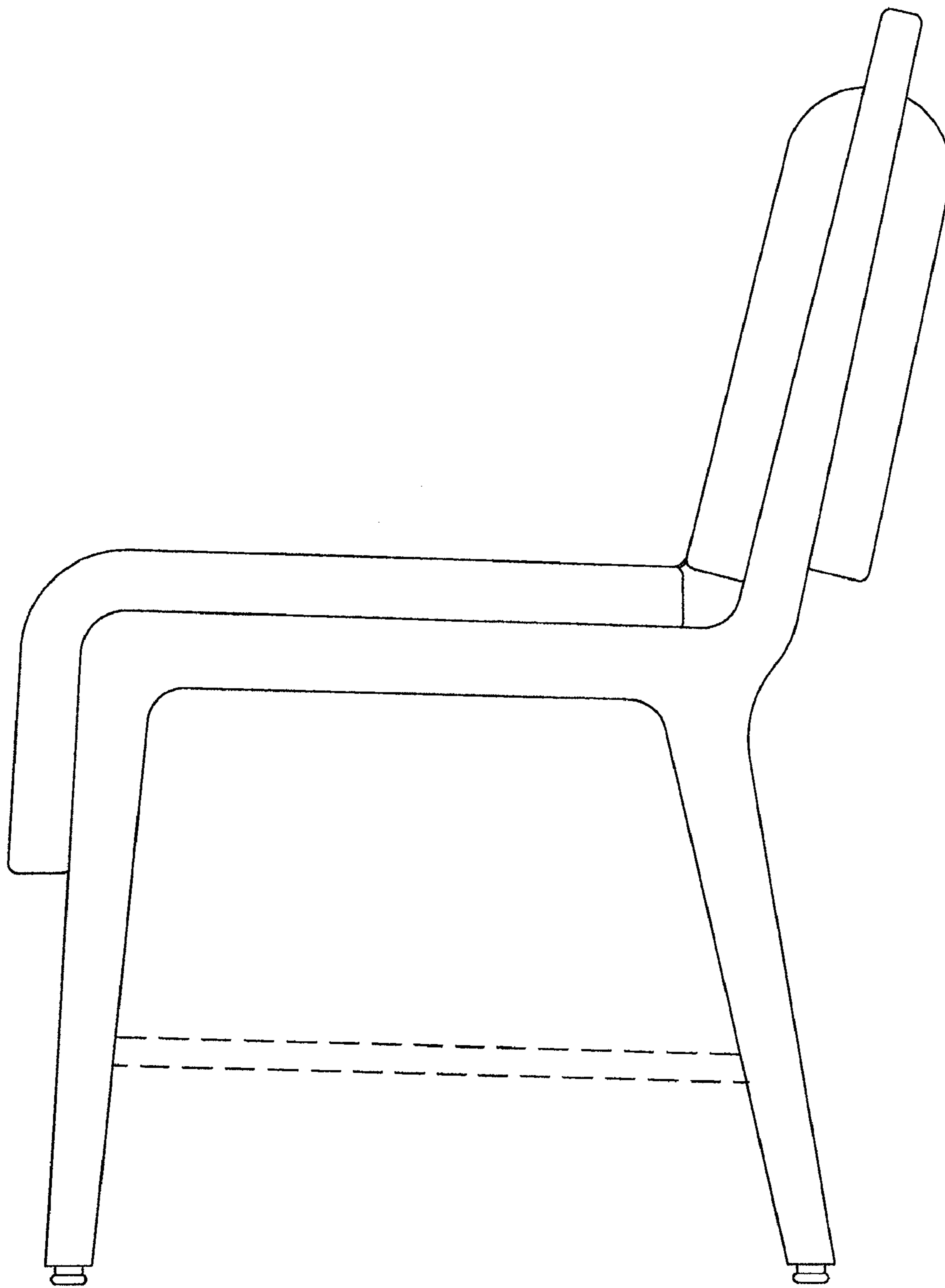


FIG. 6

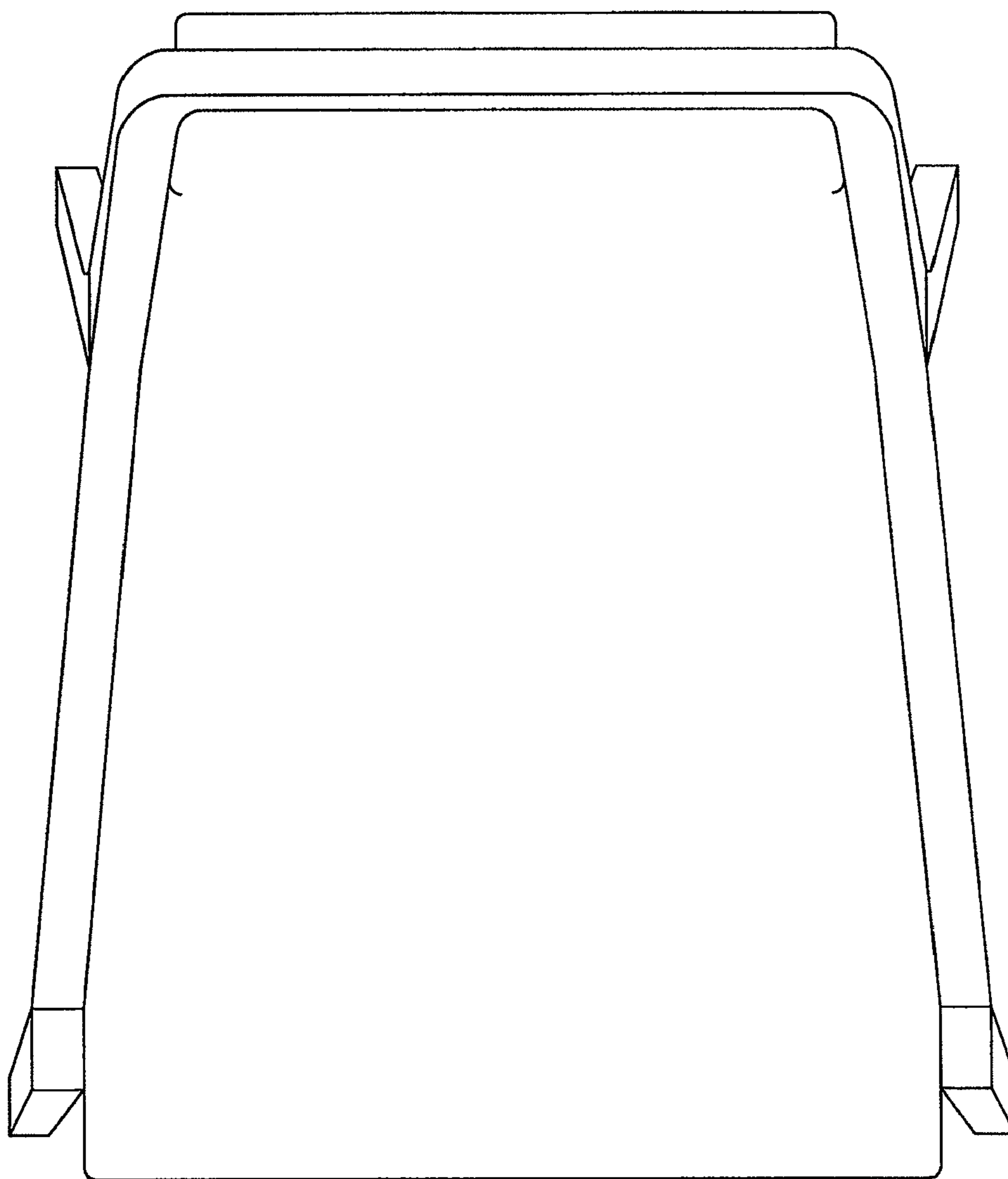




FIG. 7

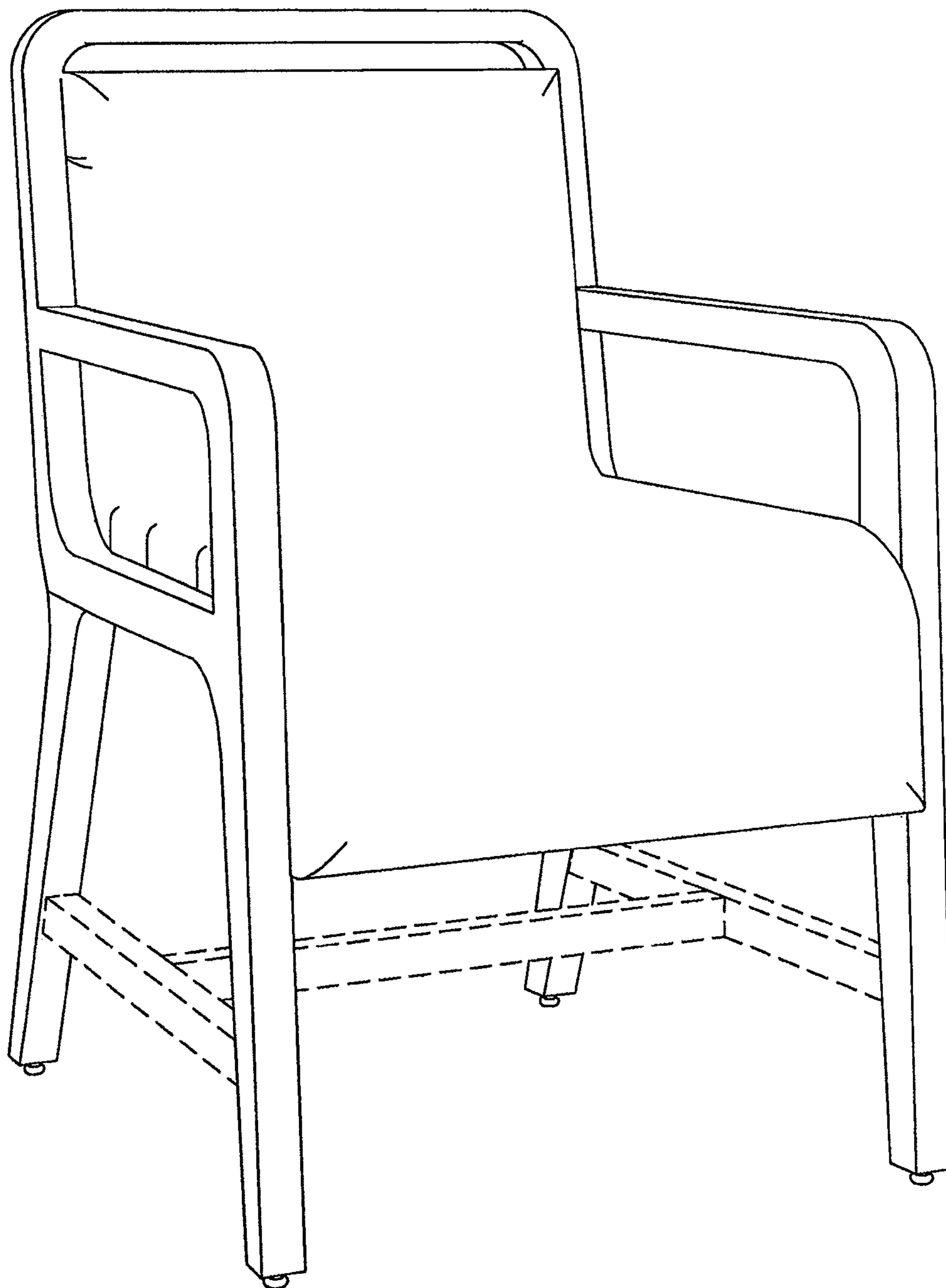


FIG. 8

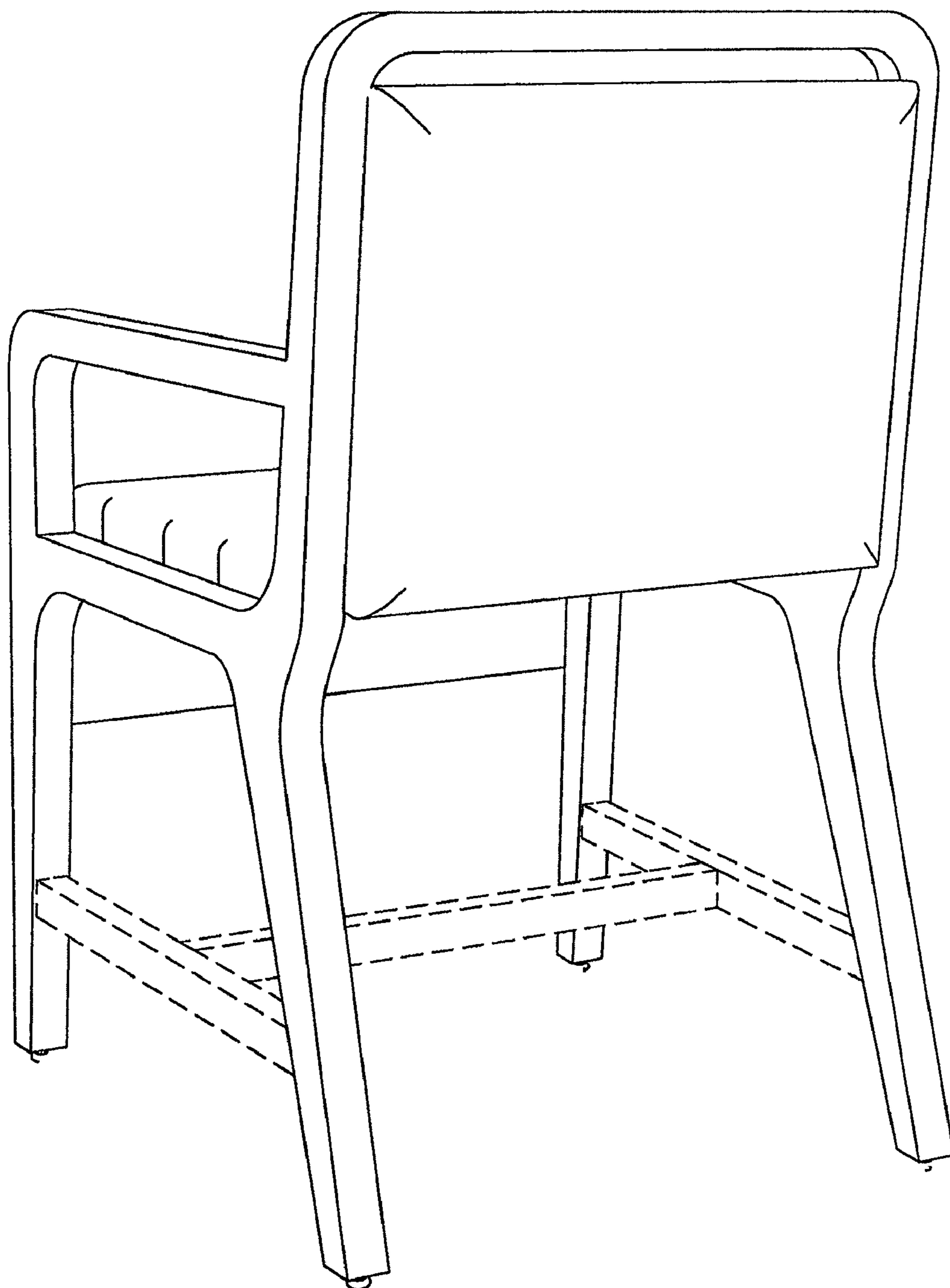


FIG. 9

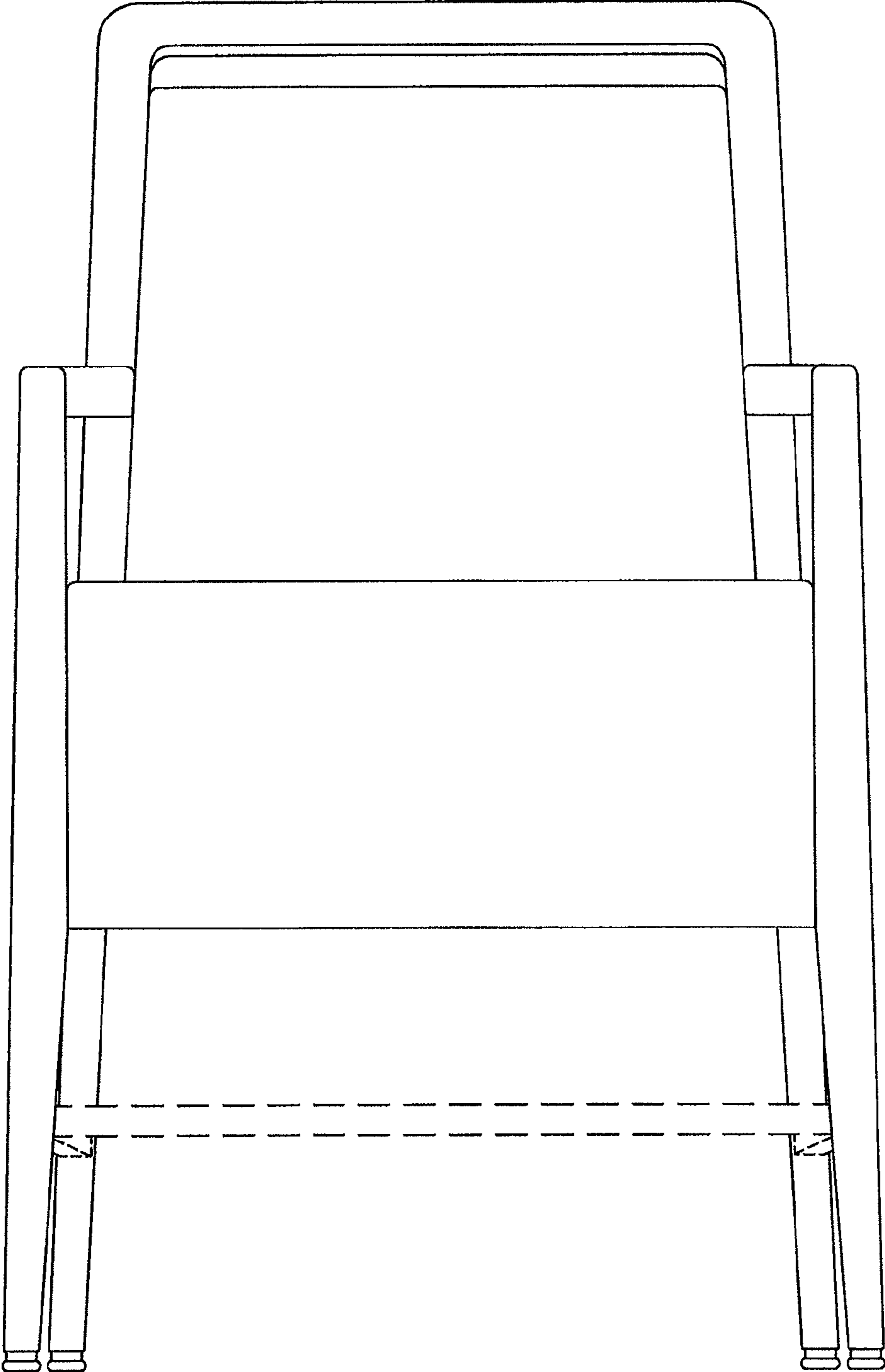


FIG. 10

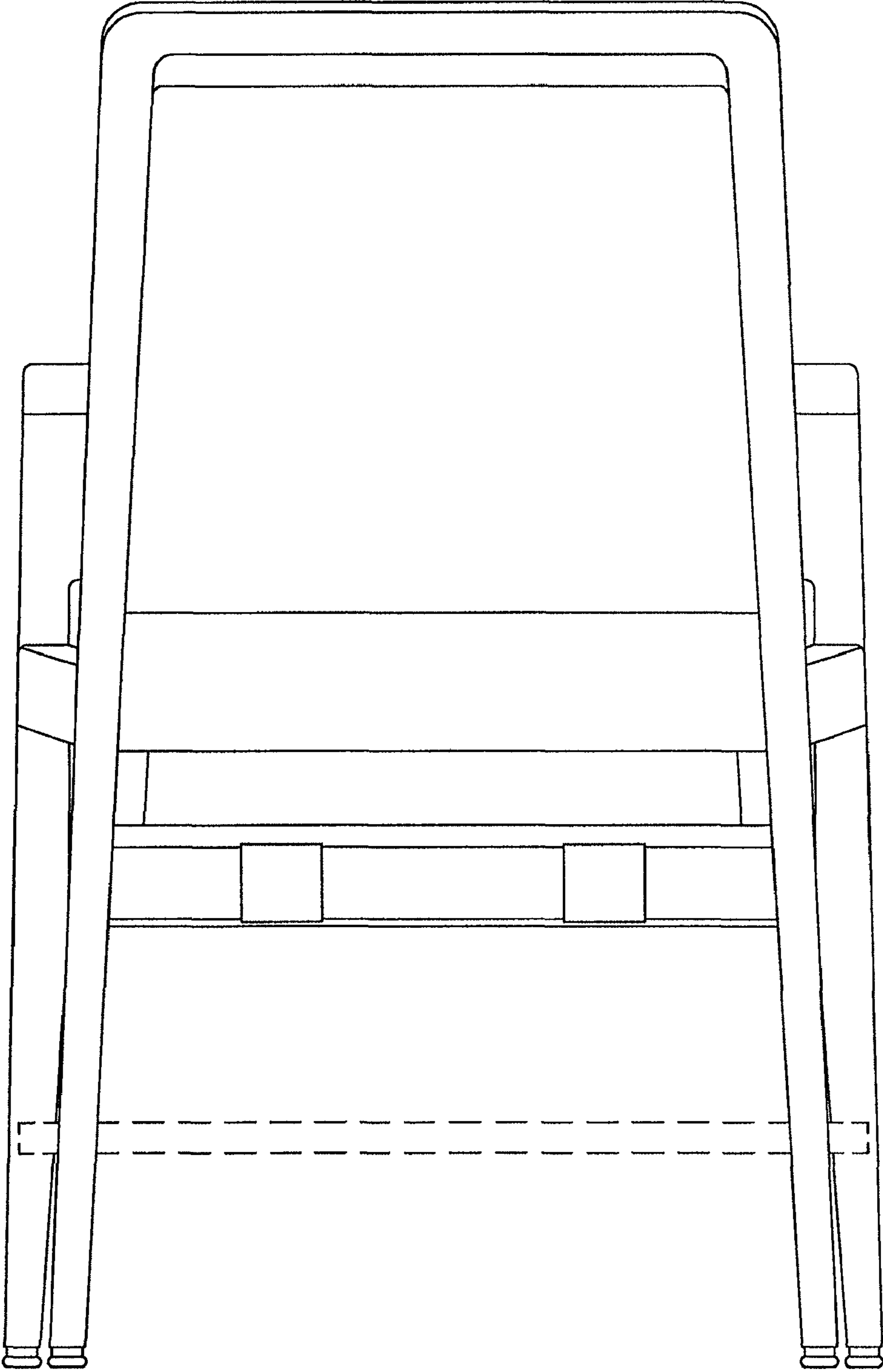


FIG. 11

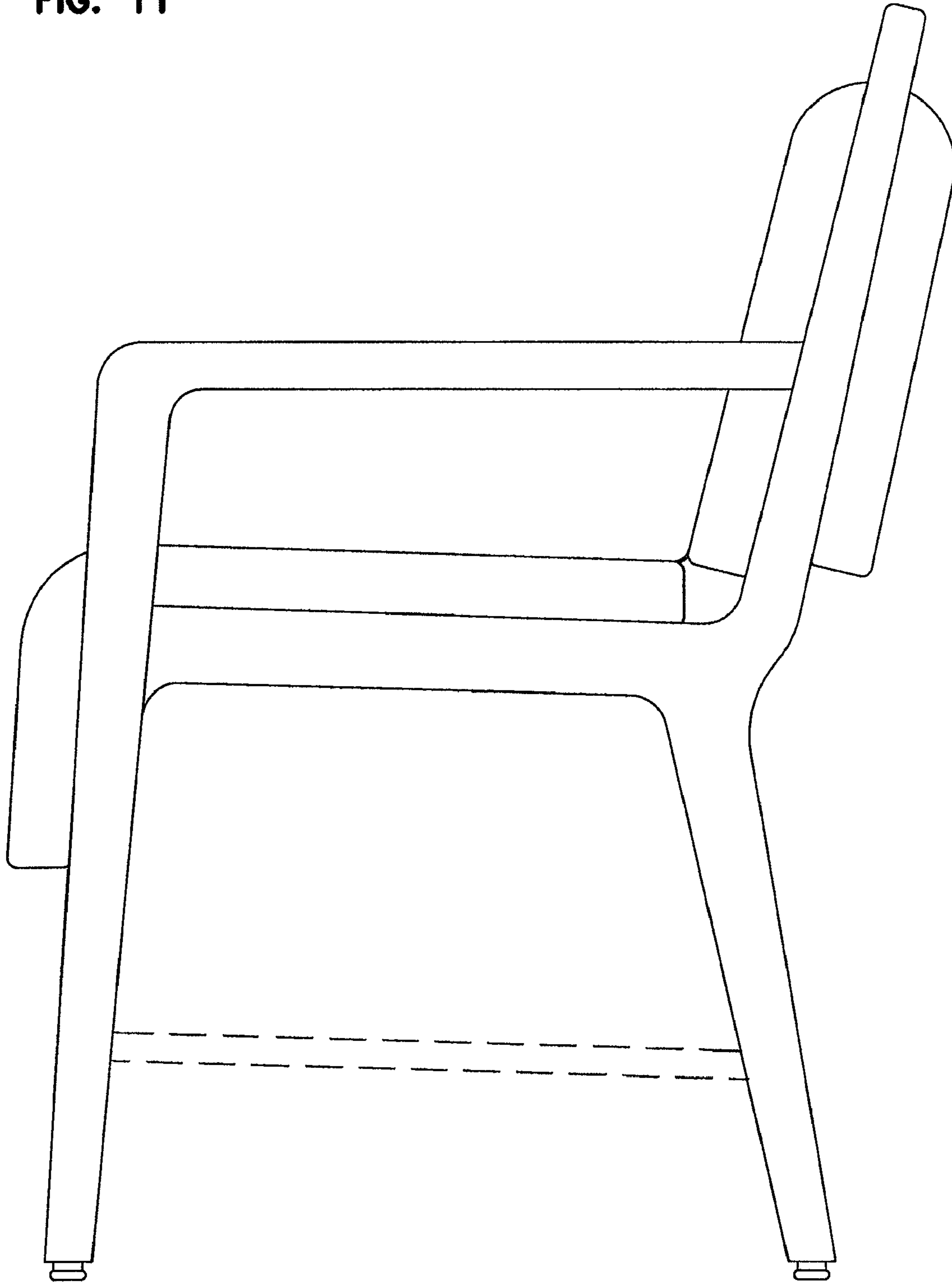


FIG. 12

