

US00D637829S

(12) **United States Design Patent**
Citterio

(10) **Patent No.:** **US D637,829 S**

(45) **Date of Patent:** **** *May 17, 2011**

(54) **CHAIR**

(75) Inventor: **Antonio Citterio**, Milan (IT)

(73) Assignee: **Vitra Patente AG**, MuttENZ (CH)

(**) Term: **14 Years**

(21) Appl. No.: **29/328,134**

(22) Filed: **Nov. 19, 2008**

(30) **Foreign Application Priority Data**

May 20, 2008 (CH) 135125
Oct. 20, 2008 (CH) 135487

(51) **LOC (9) Cl.** **06-01**

(52) **U.S. Cl.** **D6/366**

(58) **Field of Classification Search** D6/334-336,
D6/360-369, 371-374, 379-380, 498, 500-502;
297/284.4, 411.27, 411.41, 452.13-452.14,
297/452.19, 452.21, 452.29, 452.3, 452.56,
297/452.64

See application file for complete search history.

(56) **References Cited**

U.S. PATENT DOCUMENTS

D390,712 S * 2/1998 Koepke et al. D6/366
D410,799 S * 6/1999 Meda D6/366
D418,316 S * 1/2000 Vogtherr D6/366
D449,174 S * 10/2001 Neil D6/366
D474,040 S * 5/2003 Meda D6/366
D509,969 S * 9/2005 Loew et al. D6/366
D514,832 S * 2/2006 Tsai D6/366
D517,820 S * 3/2006 Citterio D6/366

D535,112 S * 1/2007 Bennett et al. D6/366
D536,890 S * 2/2007 Loew et al. D6/366
D542,549 S * 5/2007 Hara D6/366
D543,041 S * 5/2007 Hara D6/366
D557,917 S * 12/2007 Nakamura et al. D6/366
D559,573 S * 1/2008 Igarashi D6/366
D559,574 S * 1/2008 Igarashi D6/366
D560,381 S * 1/2008 Dauphin D6/366
D564,245 S * 3/2008 Dauphin D6/366
D564,766 S * 3/2008 Zimmermann et al. D6/366
D566,410 S * 4/2008 Neil D6/366
D567,522 S * 4/2008 Igarashi D6/366
D569,637 S * 5/2008 Raftery et al. D6/366
D571,568 S * 6/2008 Overthun et al. D6/366
D576,812 S * 9/2008 Van Severen D6/366
D583,580 S * 12/2008 Hara D6/366
D586,136 S * 2/2009 Valdiserri et al. D6/366
2007/0108831 A1 * 5/2007 Ueda 297/452.29

* cited by examiner

Primary Examiner — Ricky Pham

(74) *Attorney, Agent, or Firm* — McCarter & English, LLP

(57) **CLAIM**

The ornamental design for a chair, as shown and described.

DESCRIPTION

FIG. 1 is a front perspective view of a chair showing my new design;

FIG. 2 shows a front elevational view of FIG. 1;

FIG. 3 shows a right side view of FIG. 1;

FIG. 4 shows a left side view of FIG. 1;

FIG. 5 shows a rear elevational view of FIG. 1;

FIG. 6 shows a top plan view of FIG. 1; and,

FIG. 7 shows a bottom plan view of FIG. 1.

1 Claim, 7 Drawing Sheets





Fig. 1

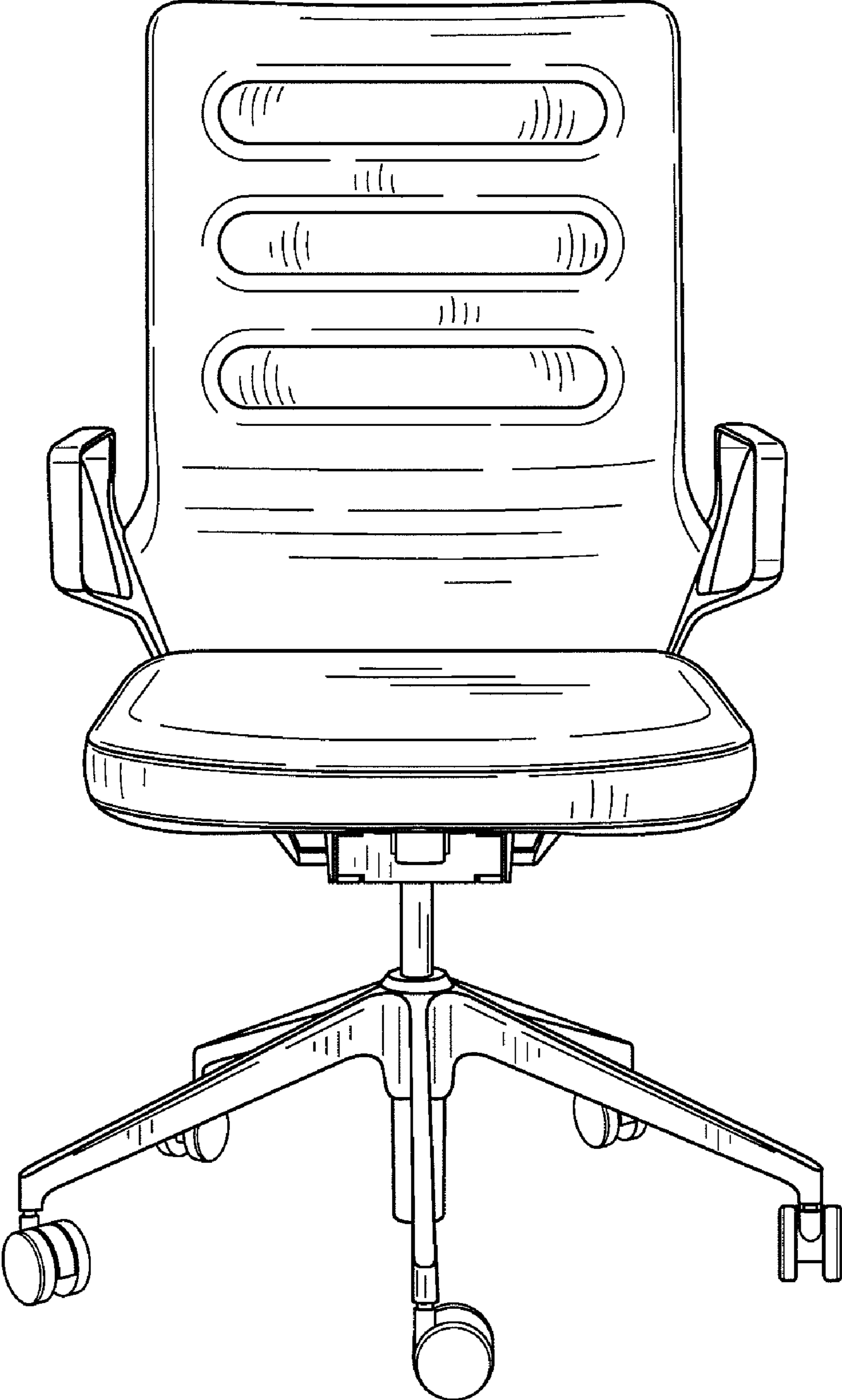


Fig. 2



Fig. 3

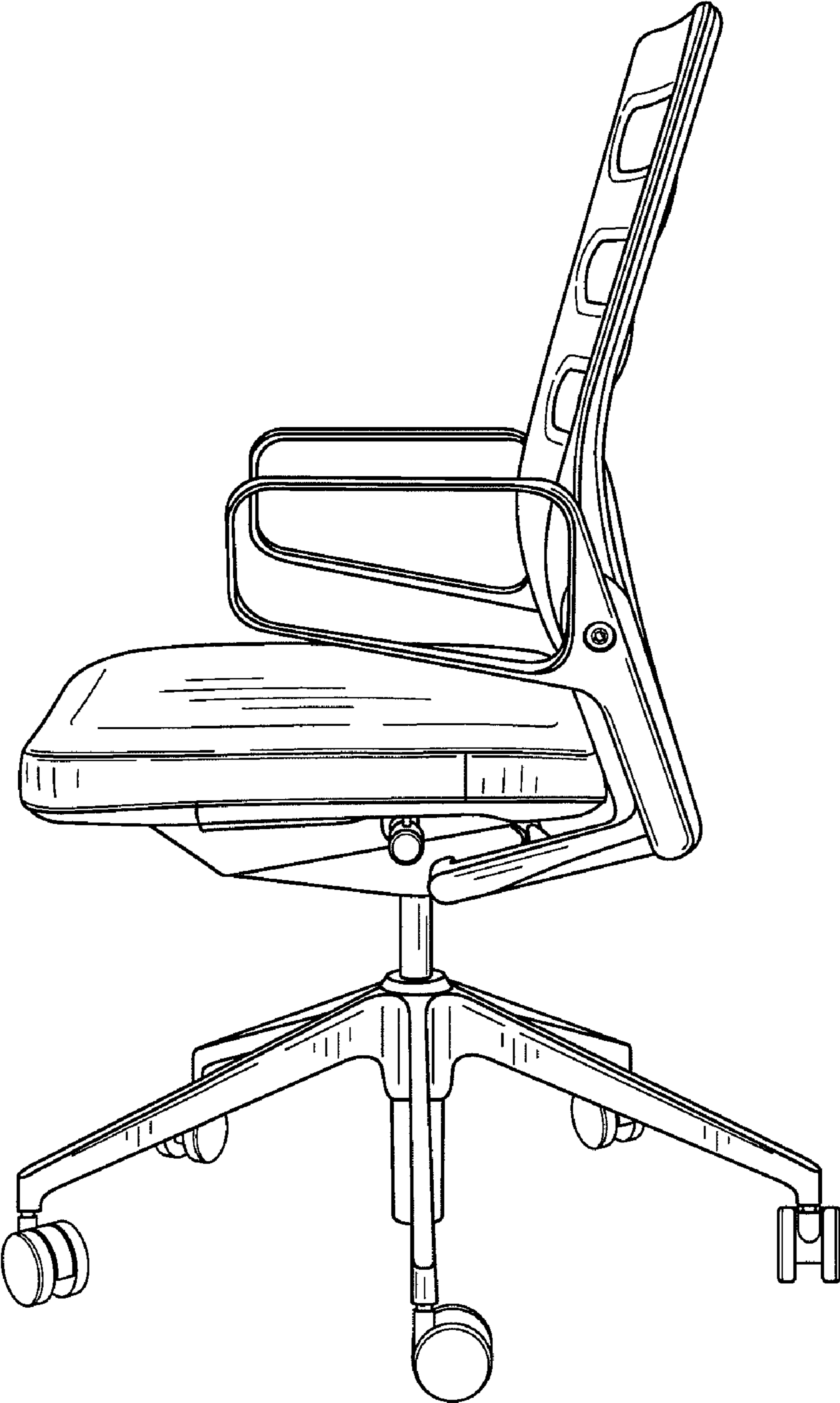


Fig. 4

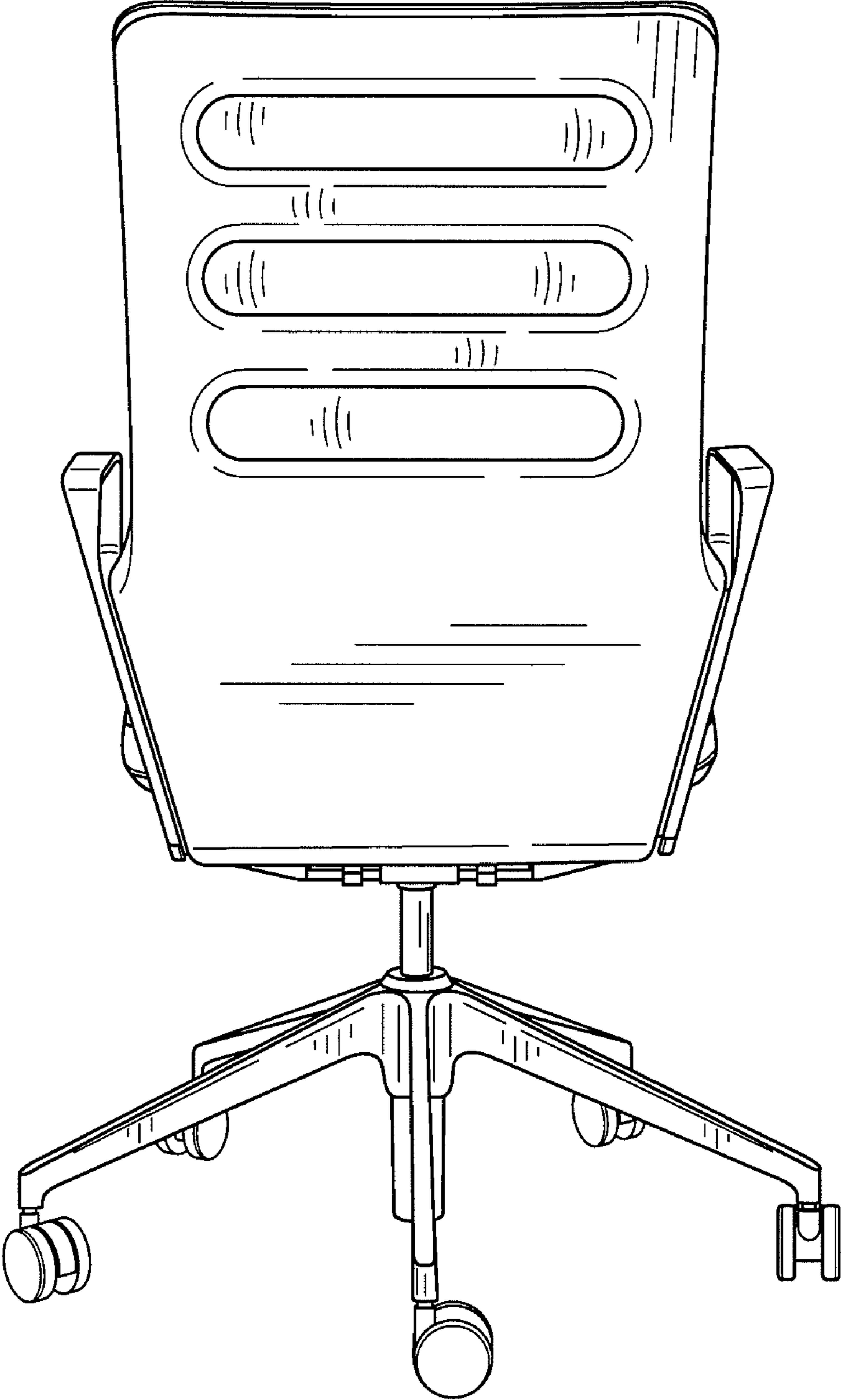


Fig. 5

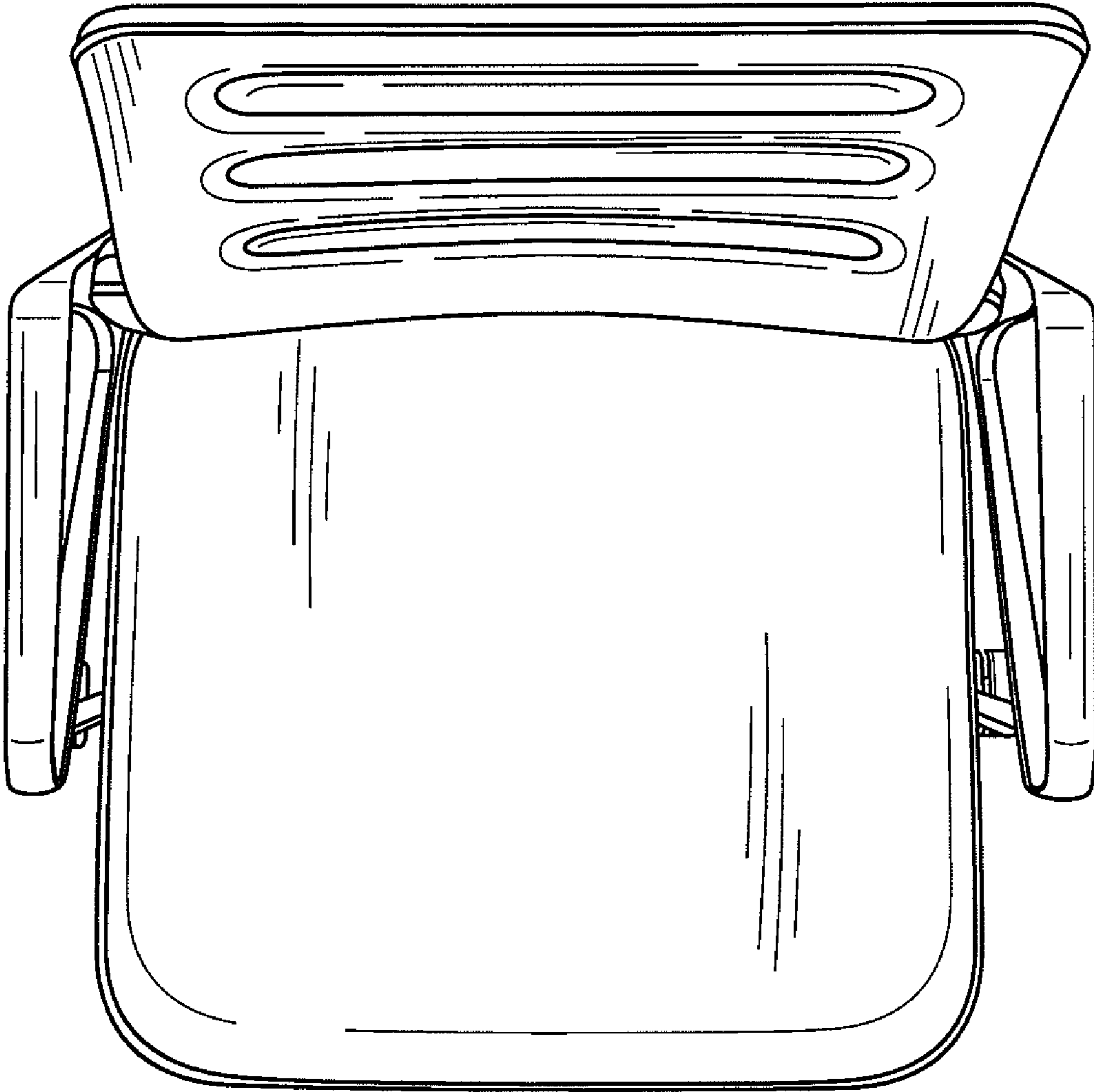


Fig. 6

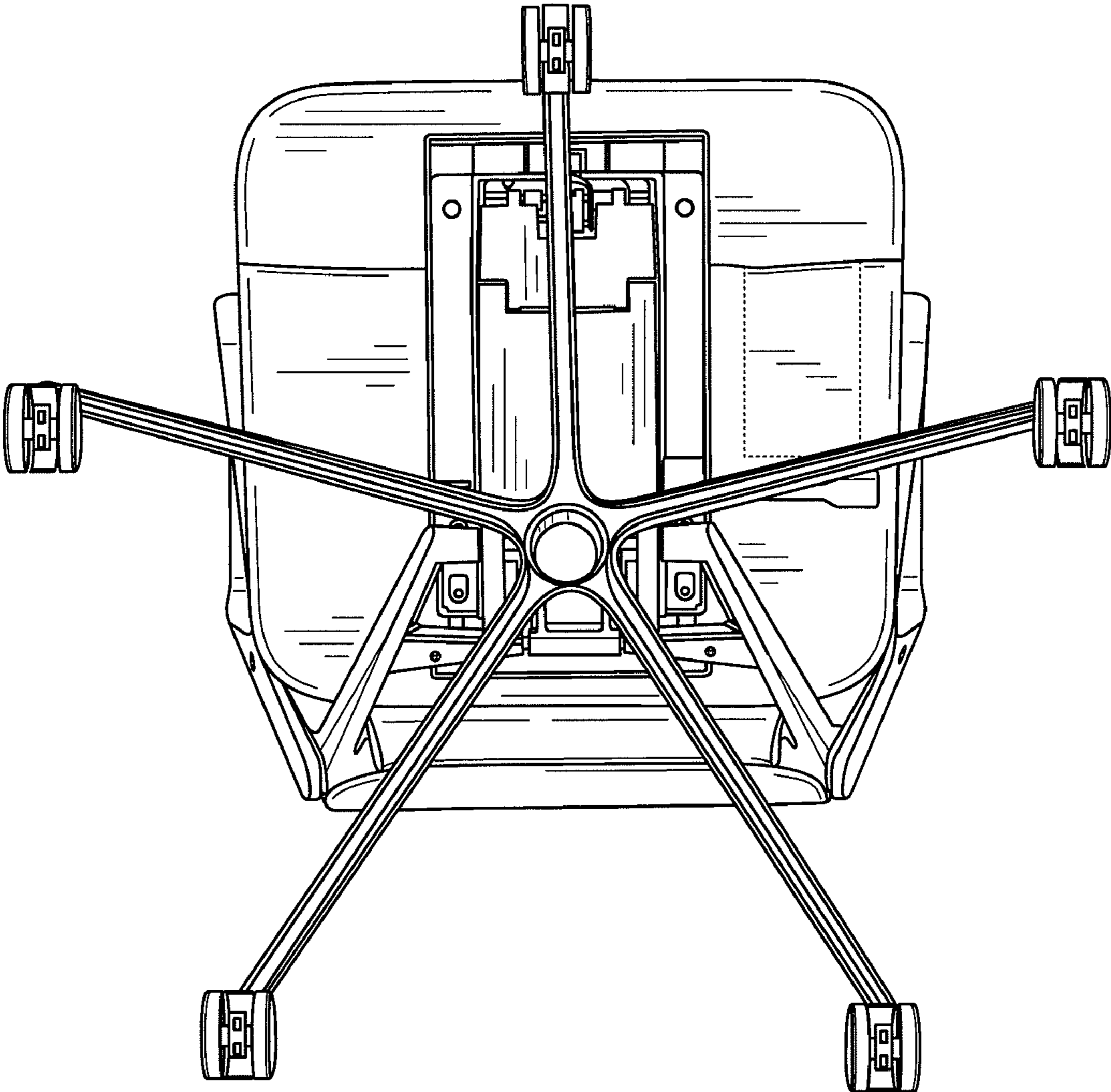


Fig. 7