



US00D637827S

(12) **United States Design Patent**  
**Horn et al.**

(10) **Patent No.:** **US D637,827 S**

(45) **Date of Patent:** **\*\* May 17, 2011**

(54) **SWING CHAIR FRAME**

(75) Inventors: **Vincent Ten Horn**, Amsterdam (NL);  
**Therese Johansson**, Amsterdam (NL)

(73) Assignee: **Nuna International B.V.**, Amsterdam,  
Zuidoost (NL)

(\*\*) Term: **14 Years**

(21) Appl. No.: **29/350,500**

(22) Filed: **Nov. 18, 2009**

(30) **Foreign Application Priority Data**

Aug. 6, 2009 (TW) ..... 98303662

(51) **LOC (9) Cl.** ..... **06-01**

(52) **U.S. Cl.** ..... **D6/344**

(58) **Field of Classification Search** ..... D6/334-335,  
D6/344, 346-347, 374-375, 500-502; 297/273,  
297/277, 280-281, 452.11-452.13, 452.2,  
297/452.19

See application file for complete search history.

(56) **References Cited**

**U.S. PATENT DOCUMENTS**

D278,549 S \* 4/1985 Kristich ..... D21/823  
D290,789 S \* 7/1987 Lange ..... D6/380

D448,940 S \* 10/2001 Chi ..... D6/365  
D459,099 S \* 6/2002 Liu ..... D6/347  
D548,472 S \* 8/2007 Habing et al. .... D6/347  
D557,046 S \* 12/2007 Lade ..... D6/500  
D560,083 S \* 1/2008 Lade ..... D6/495  
7,380,880 B2 \* 6/2008 Molen ..... 297/273

\* cited by examiner

*Primary Examiner* — Elizabeth A Albert

*Assistant Examiner* — Kelley A Donnelly

(74) *Attorney, Agent, or Firm* — Baker Donelson Bearman,  
Caldwell & Berkowitz, PC

(57) **CLAIM**

The ornamental design for swing chair frame, as shown and described.

**DESCRIPTION**

FIG. 1 is a perspective view of swing chair frame showing my new design;

FIG. 2 is a front elevational view thereof;

FIG. 3 is a rear elevational view thereof;

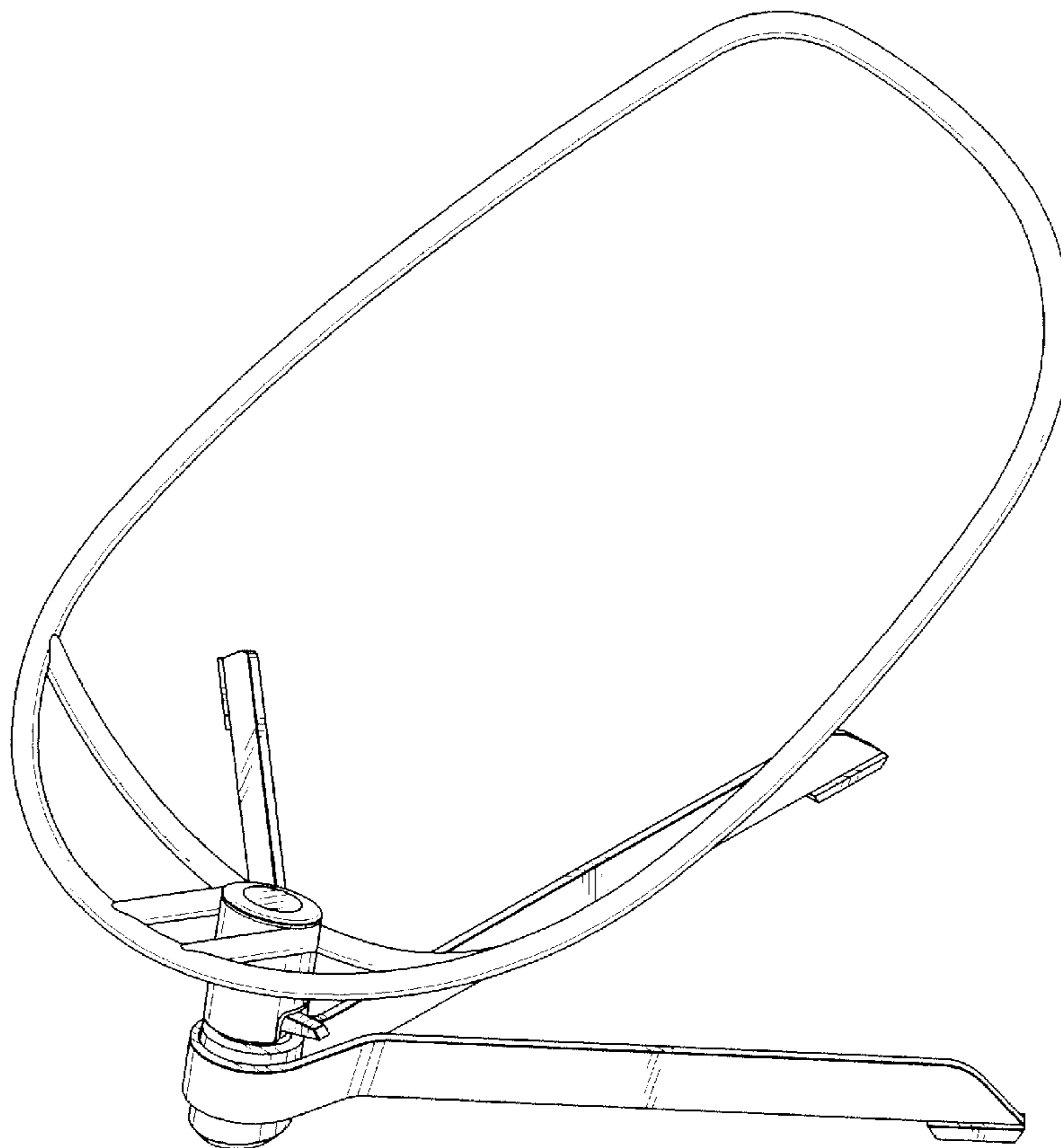
FIG. 4 is a left side elevational view thereof;

FIG. 5 is a right side elevational view thereof;

FIG. 6 is a top plan view thereof; and,

FIG. 7 is a bottom plan view thereof.

**1 Claim, 5 Drawing Sheets**



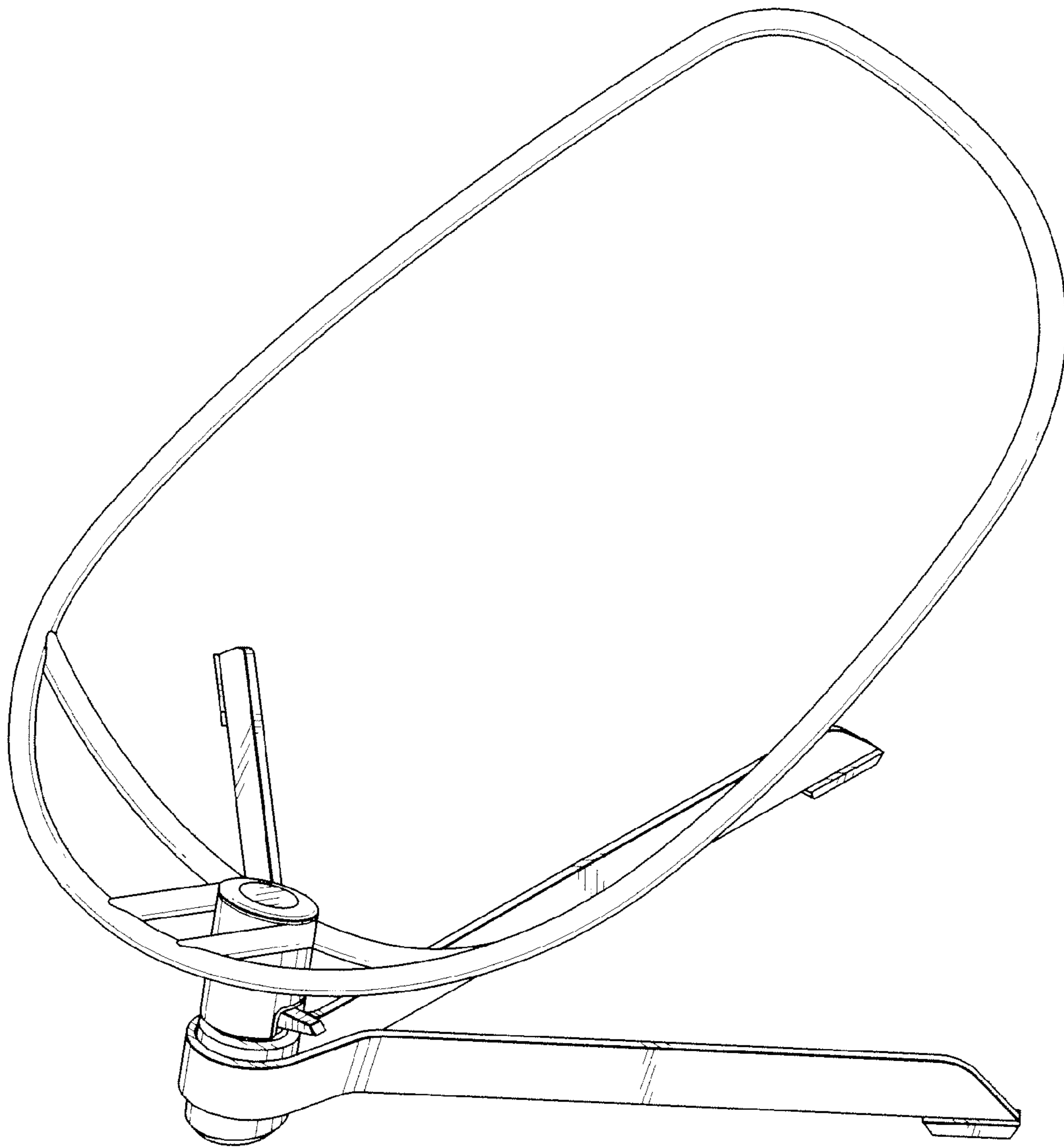


FIG. 1

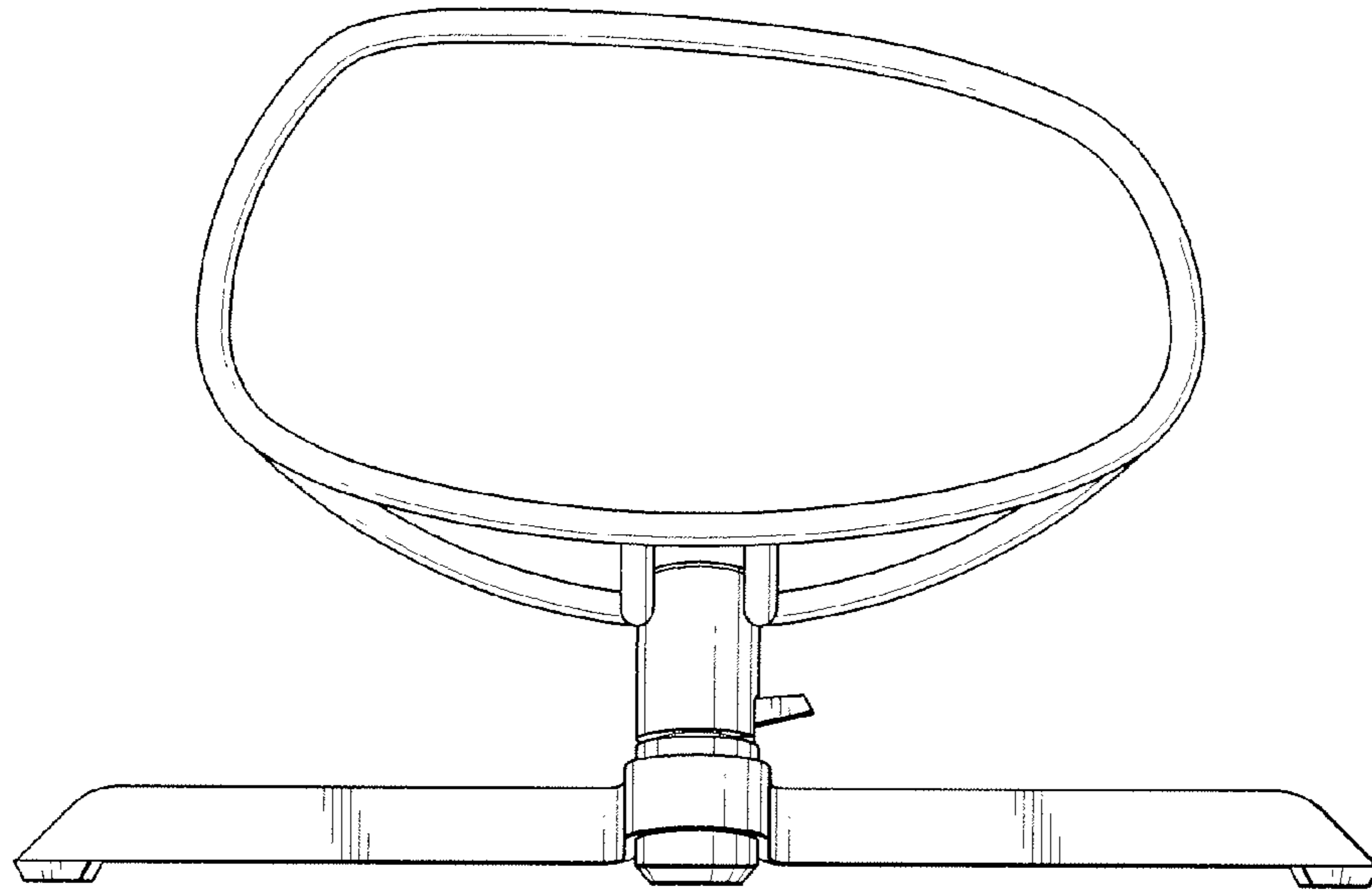


FIG. 2

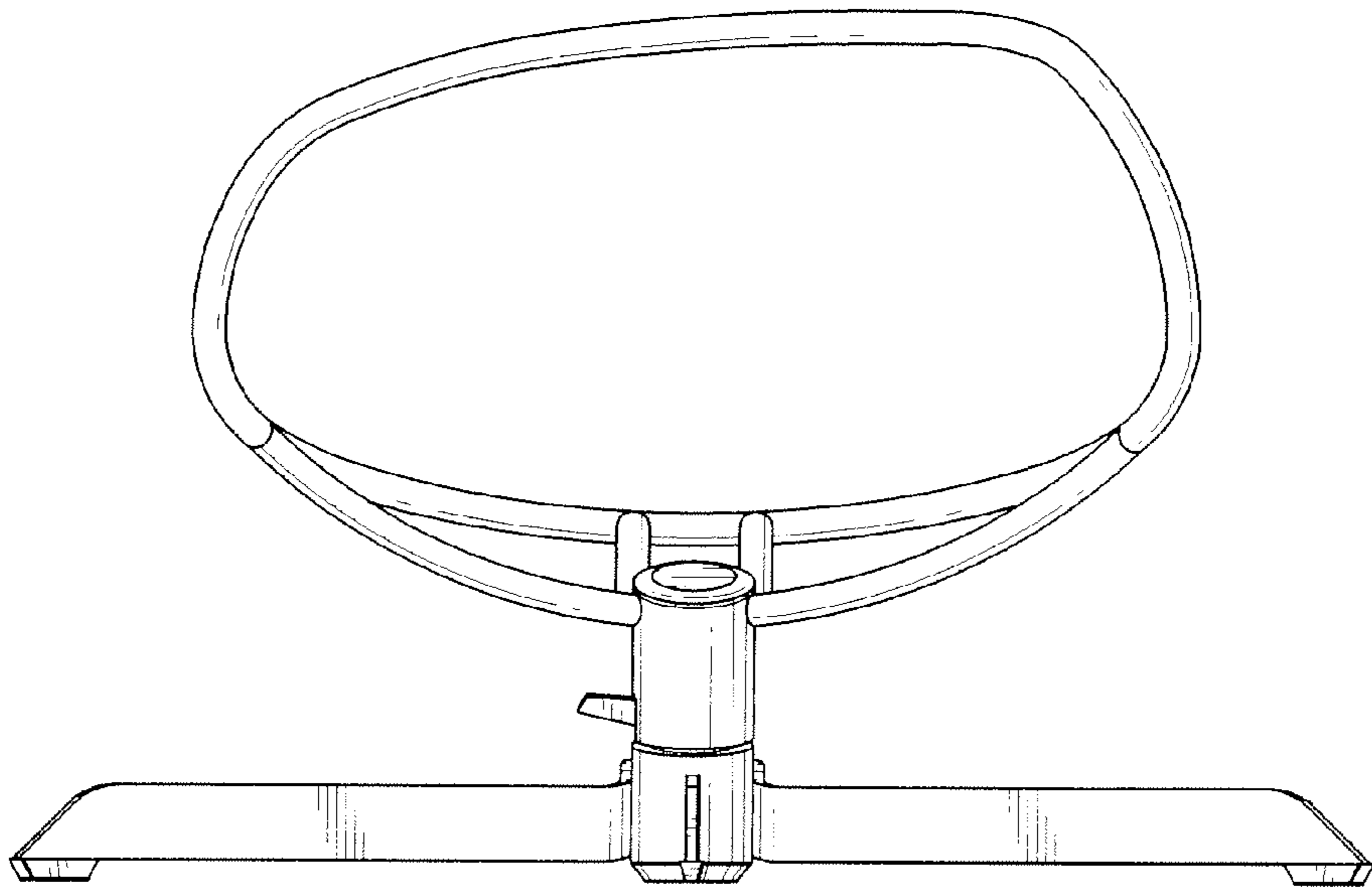


FIG. 3

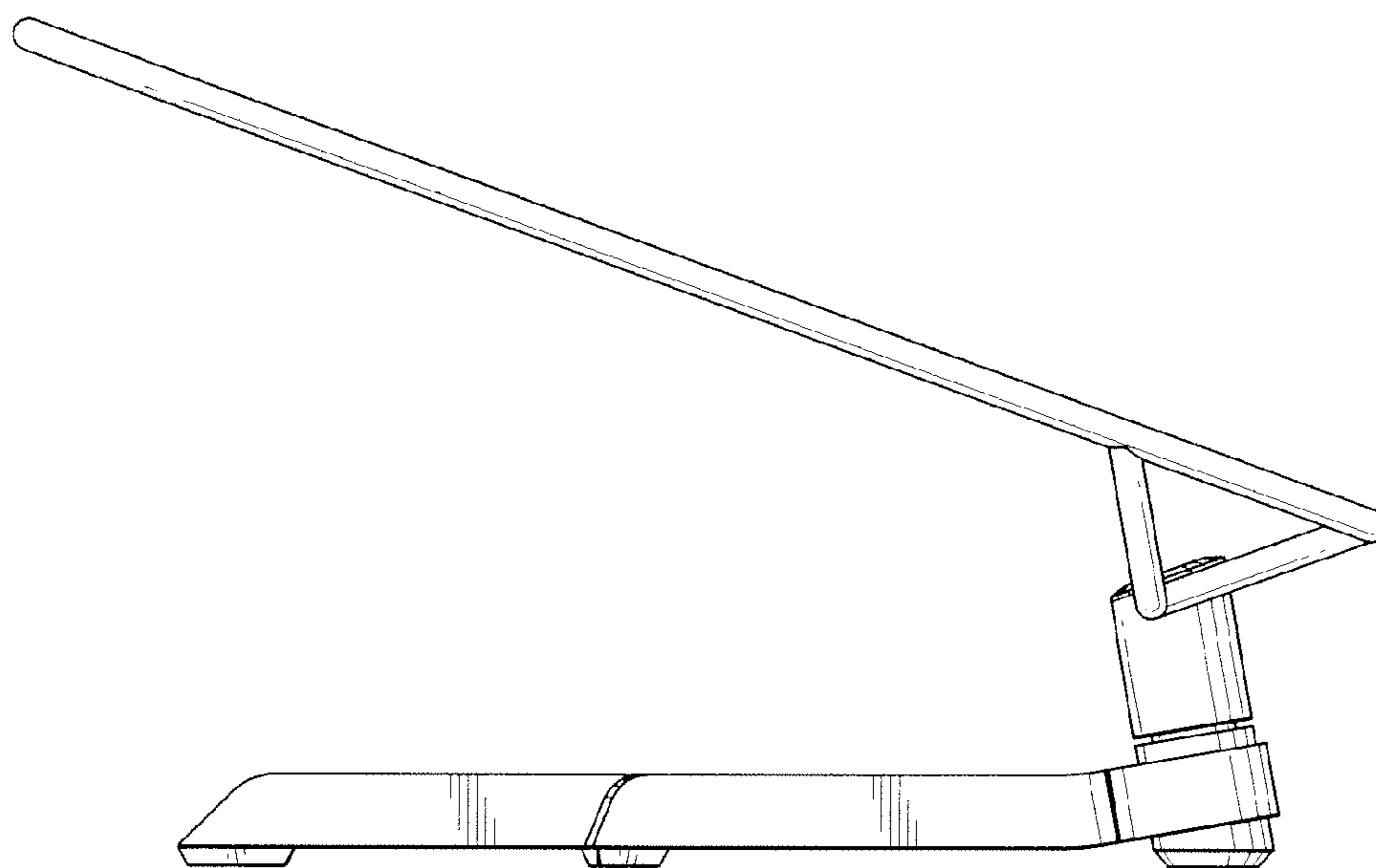


FIG. 4

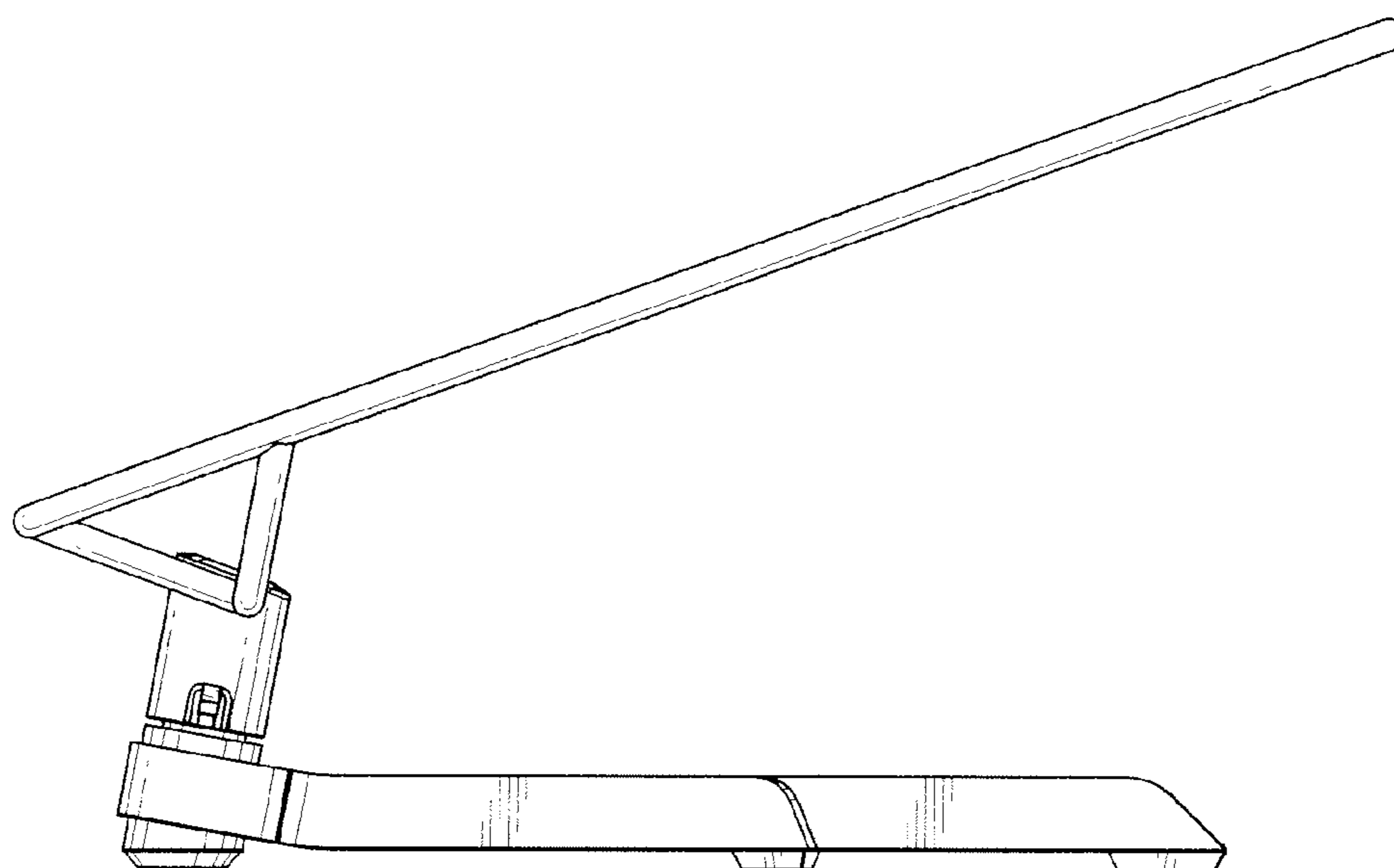


FIG. 5

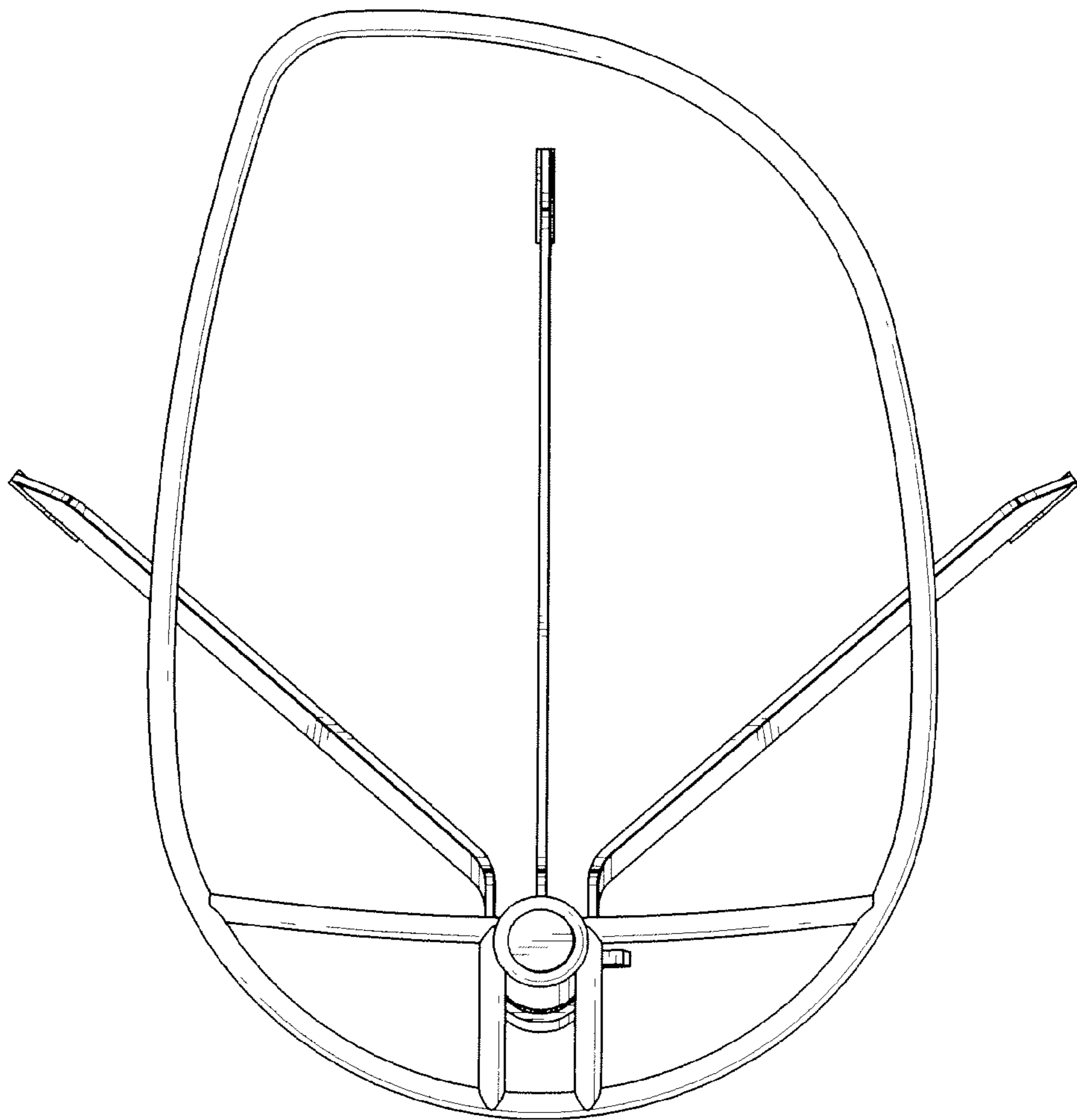


FIG. 6

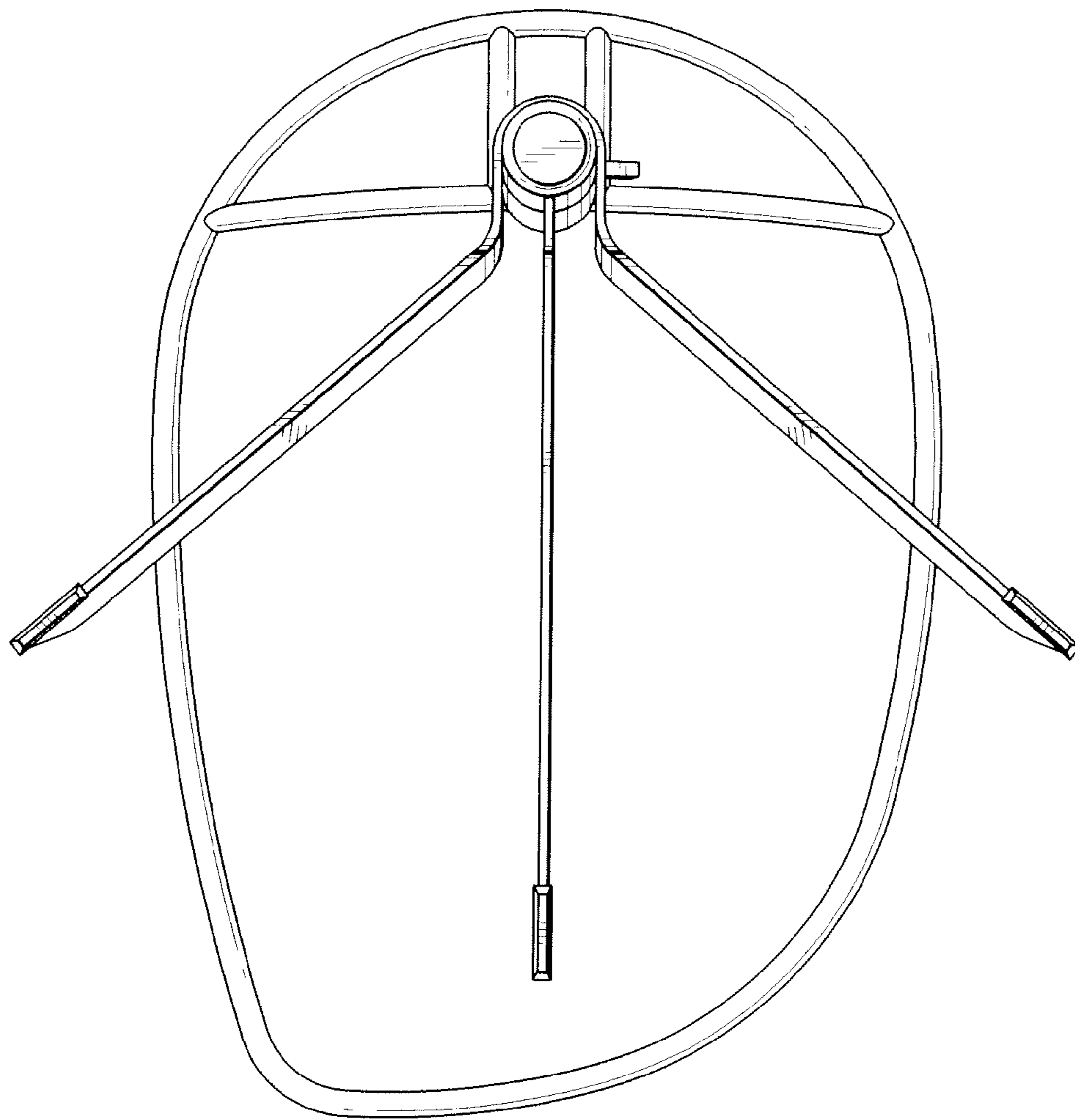


FIG. 7