



US00D637824S

(12) **United States Design Patent**  
**Daly et al.**

(10) **Patent No.:** **US D637,824 S**

(45) **Date of Patent:** **\*\* May 17, 2011**

(54) **BABY CARRIER**

(76) Inventors: **Mike Daly**, Chino, CA (US); **Brandi Daly**, Chino, CA (US)

(\*\*) Term: **14 Years**

(21) Appl. No.: **29/369,070**

(22) Filed: **Sep. 1, 2010**

(51) **LOC (9) Cl.** ..... **06-01**

(52) **U.S. Cl.** ..... **D6/333**

(58) **Field of Classification Search** ..... D6/333,  
D6/335, 339, 491, 500-502; 297/183.1-183.4,  
297/184.13, 184.15, 184.17, 250.1, 255,  
297/256.1, 256.15, 256.16; 5/94, 98.1, 99.1,  
5/101-102, 105, 655; 280/30-31; D21/412,  
D21/419; D12/129

See application file for complete search history.

(56) **References Cited**

**U.S. PATENT DOCUMENTS**

D402,477 S \* 12/1998 Cone, II ..... D6/333  
D429,075 S \* 8/2000 Cone, II ..... D6/333  
D431,116 S \* 9/2000 Gibson et al. .... D6/333  
D572,027 S \* 7/2008 Hui ..... D6/333

D589,268 S \* 3/2009 Jane Stopp ..... D6/333  
D607,652 S \* 1/2010 Karremans ..... D6/333  
D613,955 S \* 4/2010 Kho et al. .... D6/333

\* cited by examiner

*Primary Examiner* — Caron Veynar

*Assistant Examiner* — Abraham Bahta

(74) *Attorney, Agent, or Firm* — Hani Z. Sayed; Rutan & Tucker, LLP

(57) **CLAIM**

The ornamental design for a baby carrier, as shown and described.

**DESCRIPTION**

FIG. 1 is a top, side perspective view of the baby carrier showing our new design;

FIG. 2 is a right side perspective view thereof;

FIG. 3 is a back view thereof;

FIG. 4 is a front perspective view thereof;

FIG. 5 is a top plane perspective view thereof;

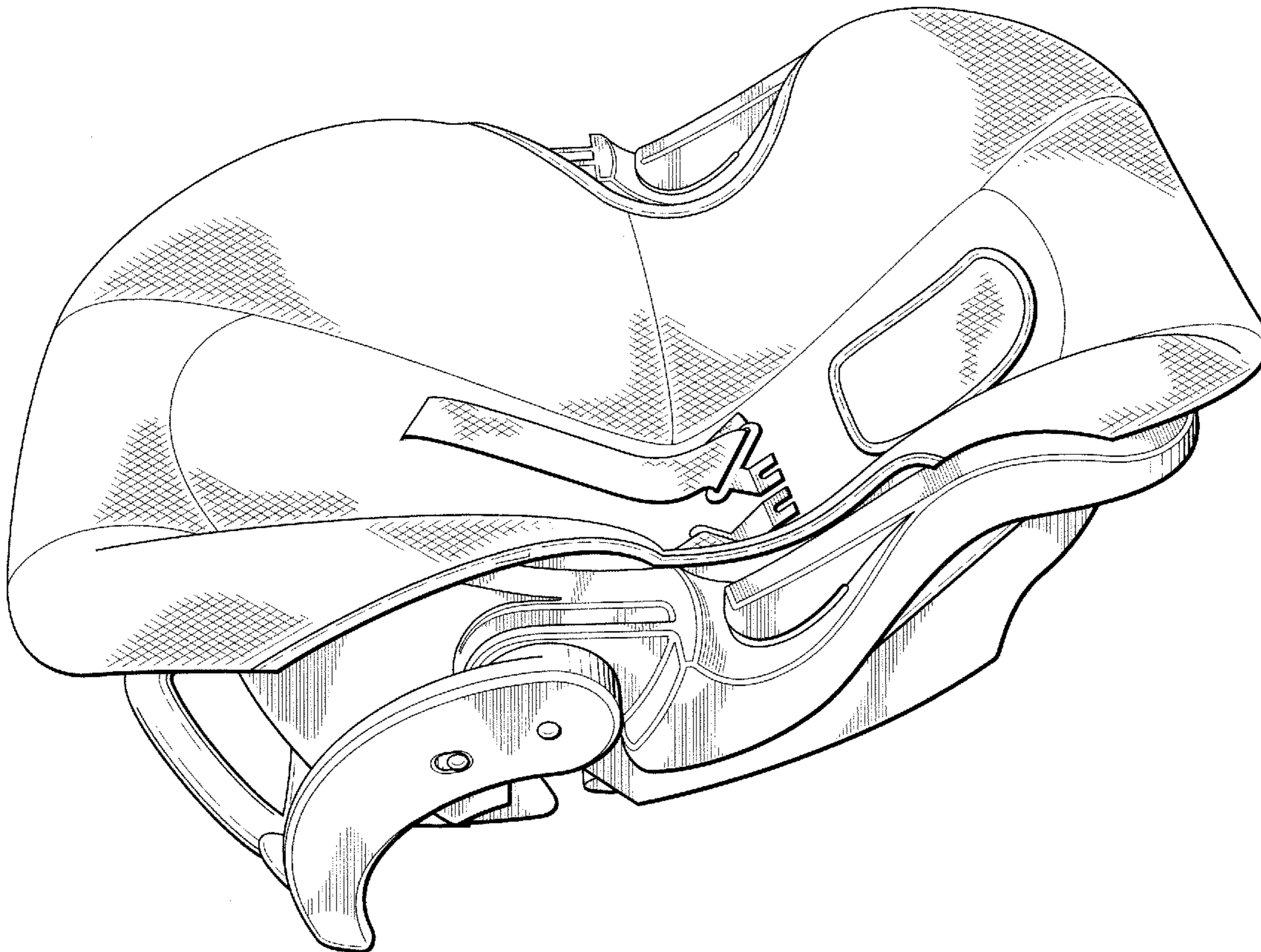
FIG. 6 is a bottom perspective view thereof;

FIG. 7 is another right side perspective view thereof;

FIG. 8 is another back view thereof; and,

FIG. 9 is another front perspective view thereof.

**1 Claim, 9 Drawing Sheets**



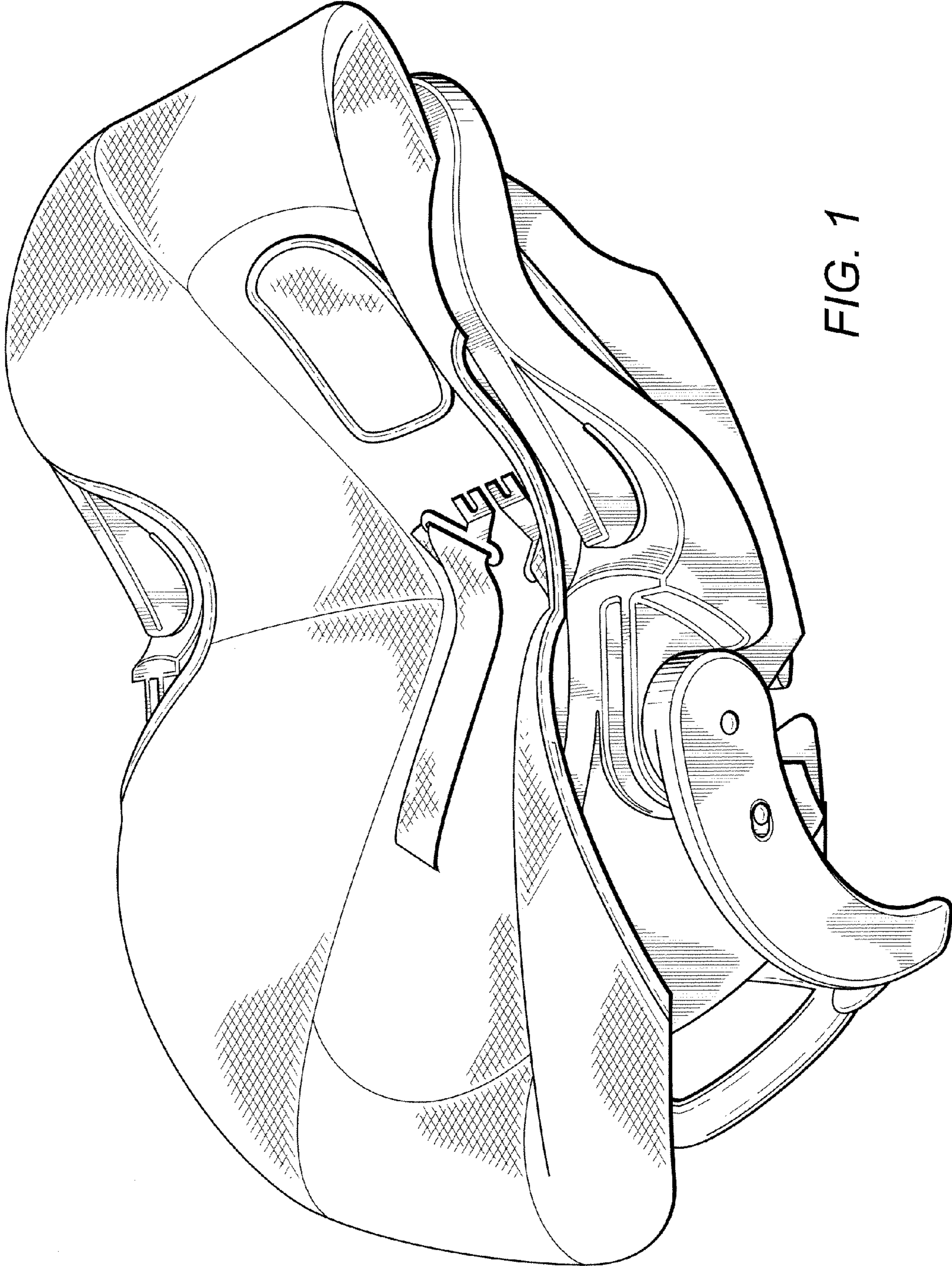


FIG. 1

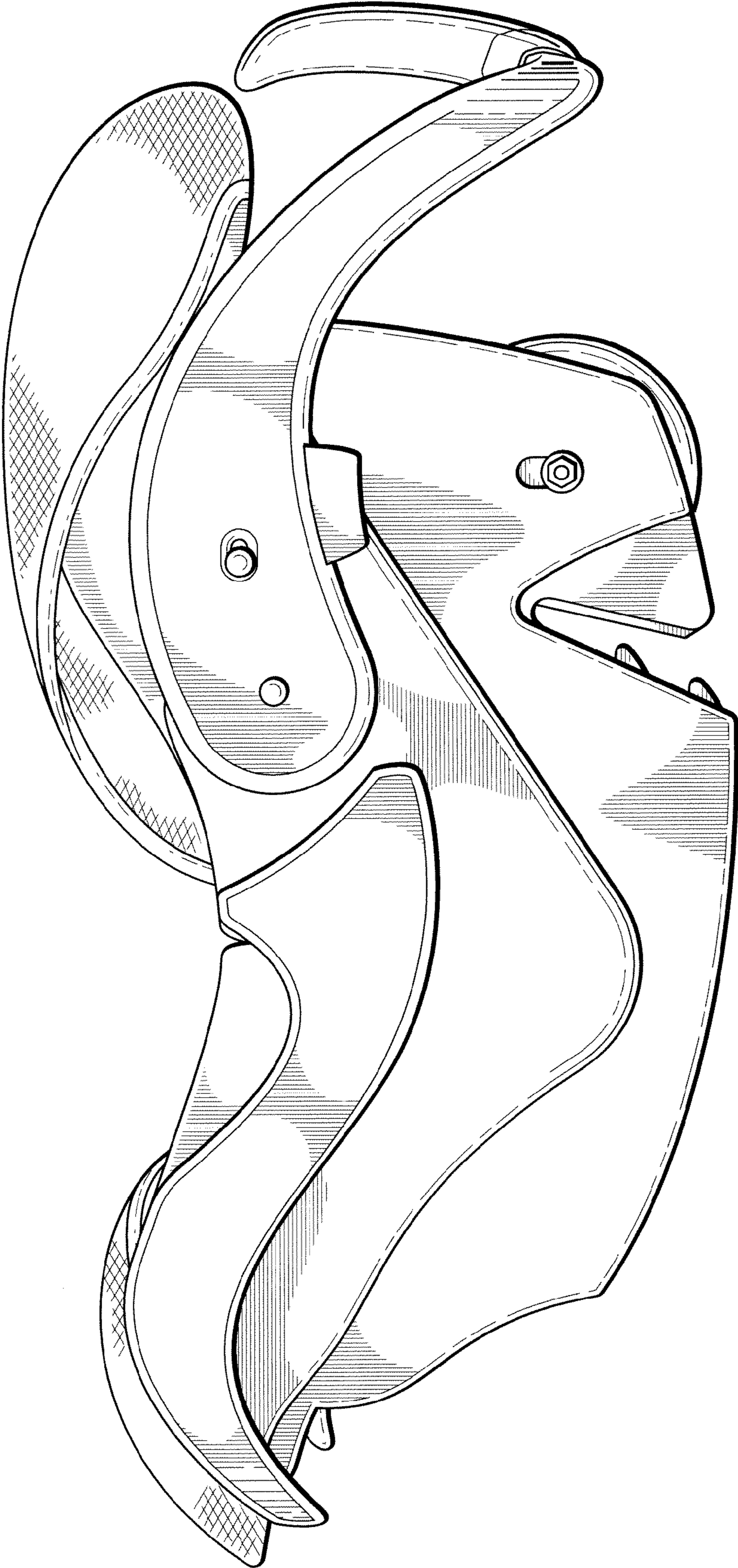


FIG. 2

FIG. 3

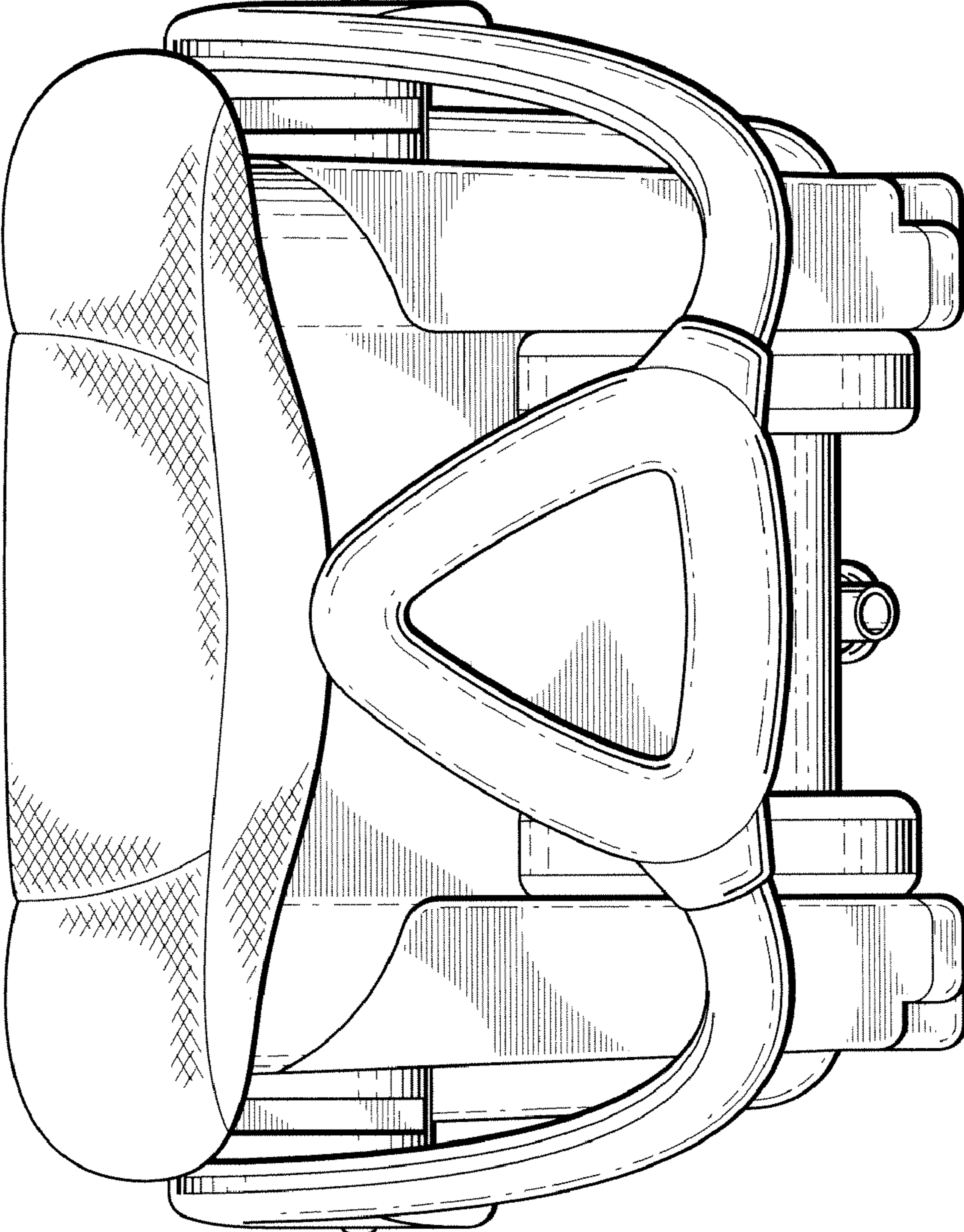


FIG. 4

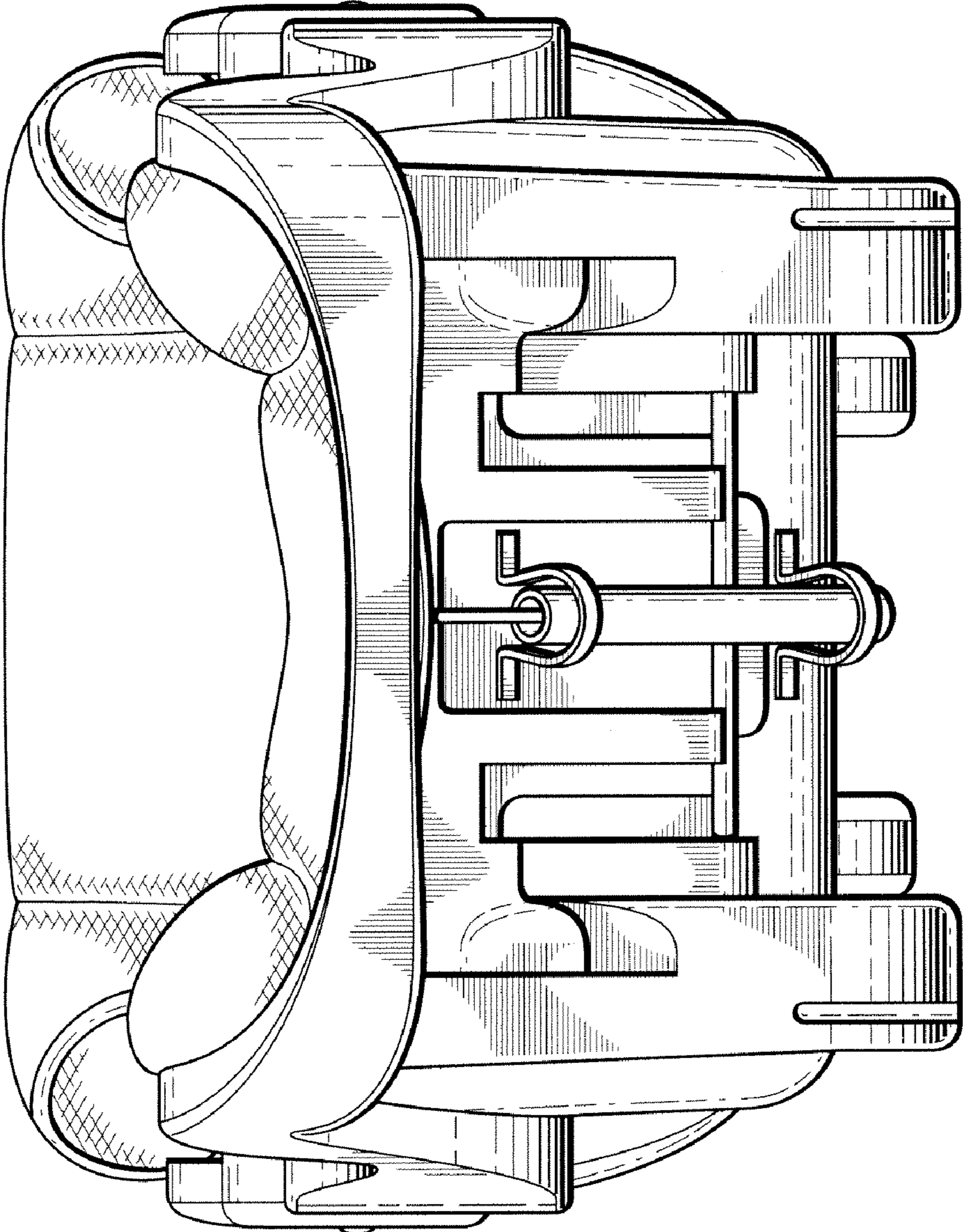
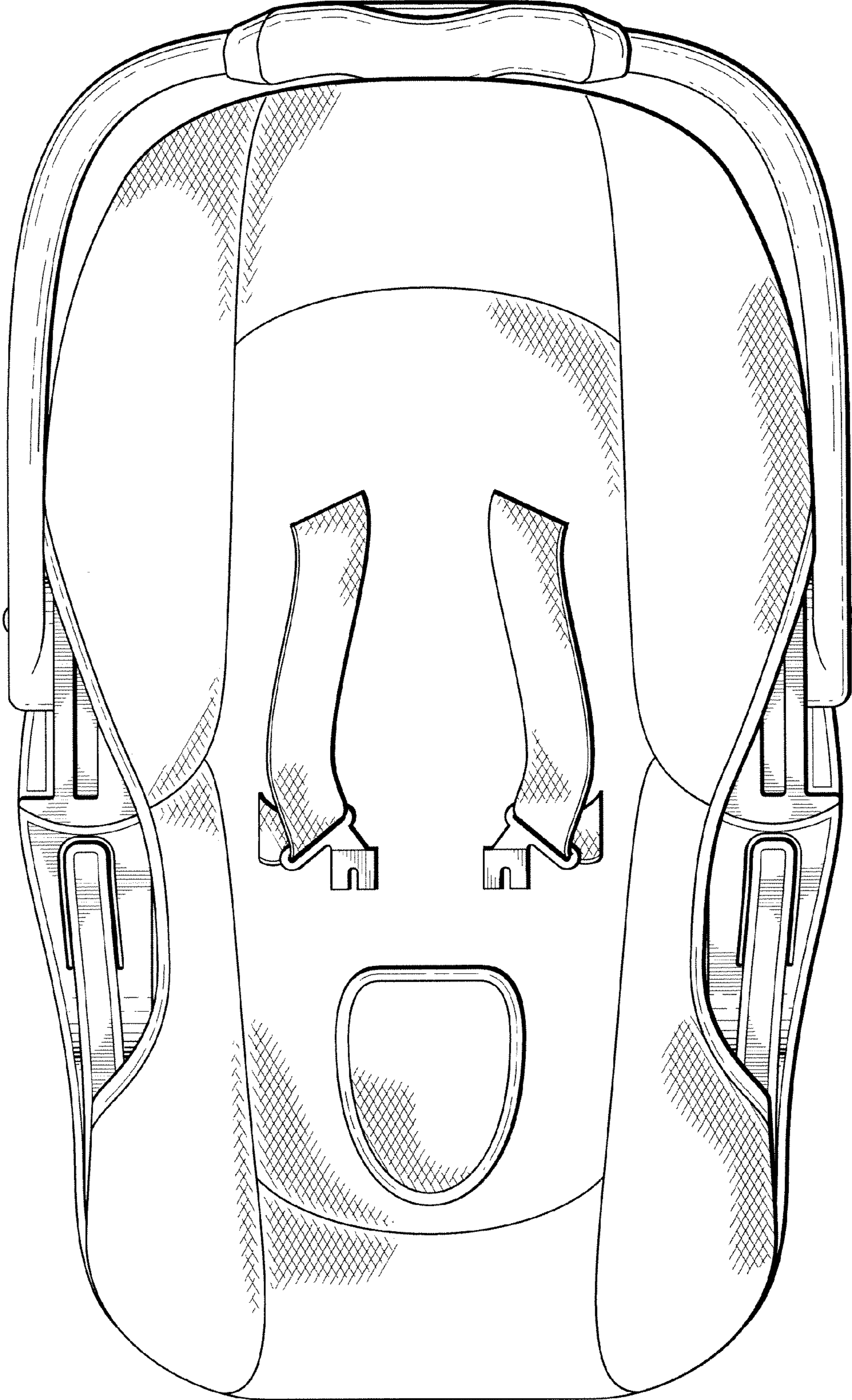


FIG. 5



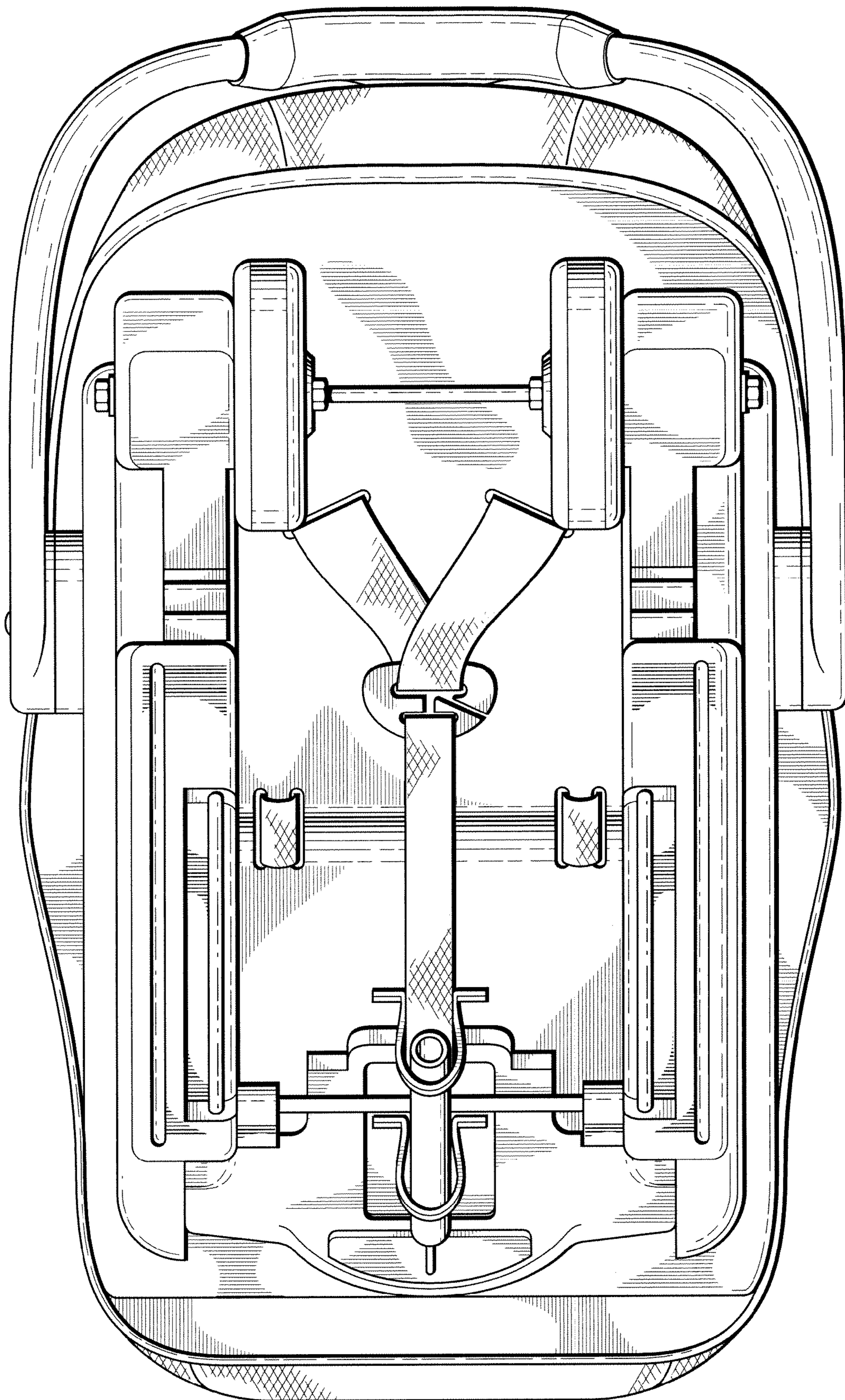


FIG. 6

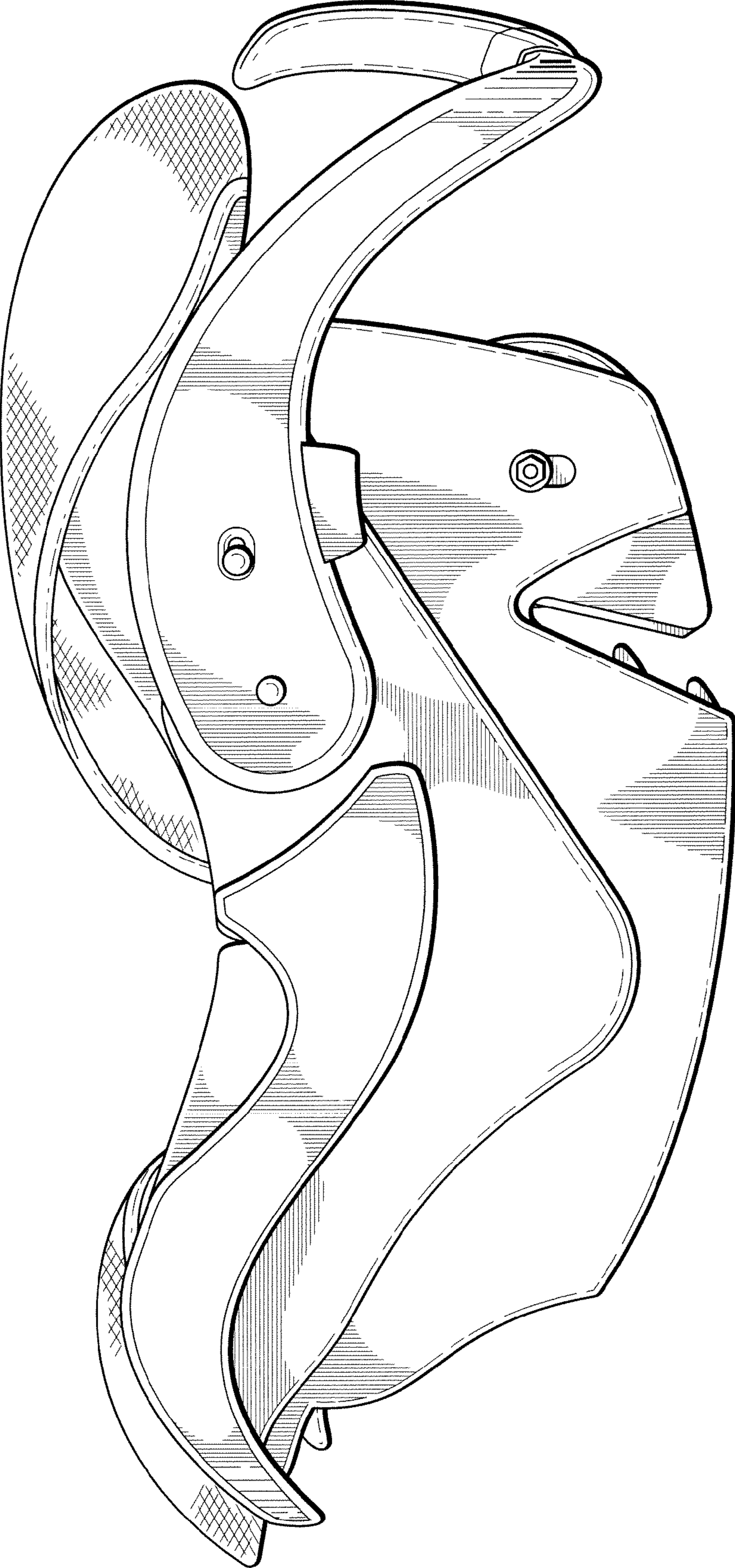


FIG. 7



FIG. 8

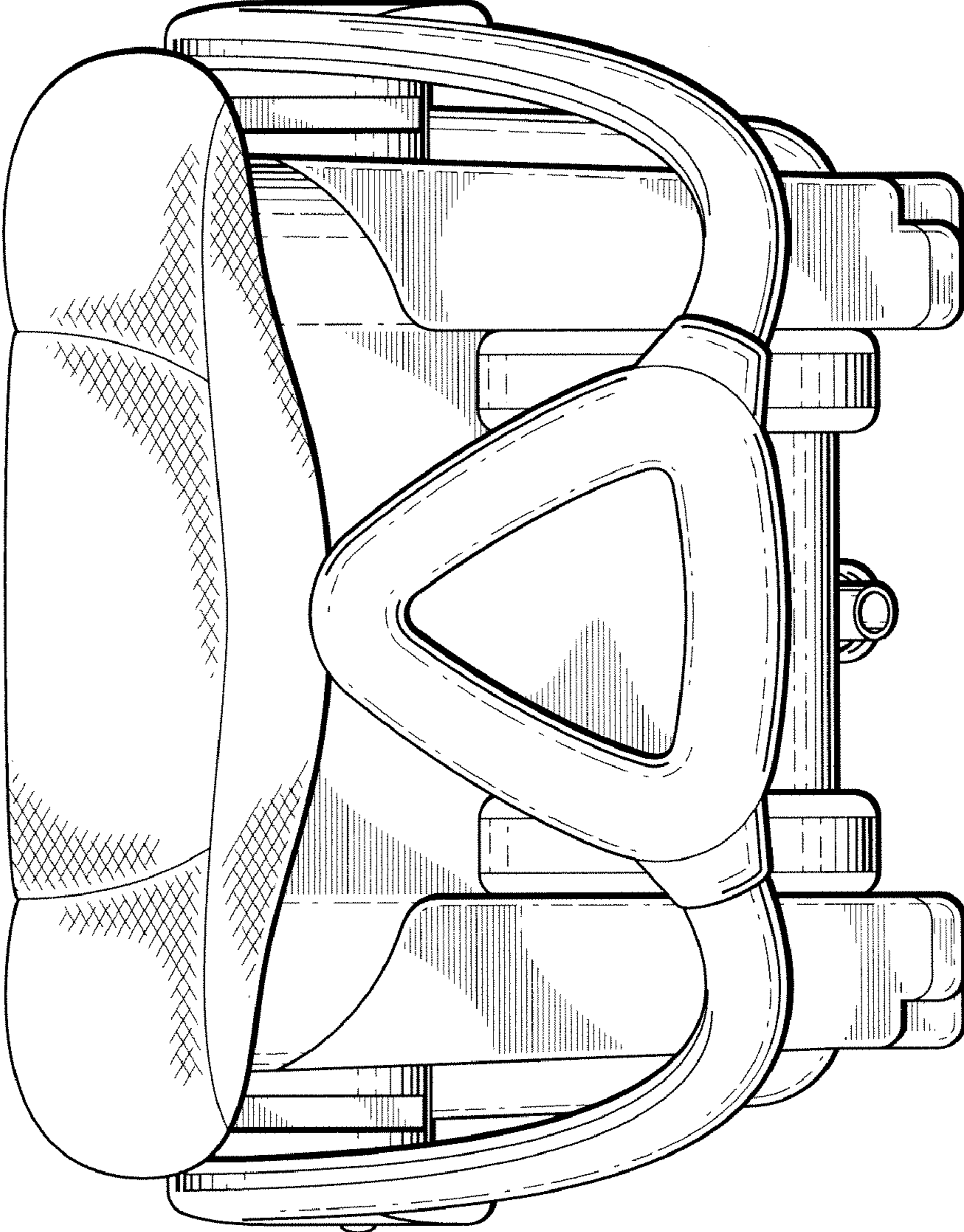


FIG. 9

