



US00D637823S

(12) **United States Design Patent**
Sakuma

(10) **Patent No.:** **US D637,823 S**

(45) **Date of Patent:** **** May 17, 2011**

(54) **CLOTHES HANGER**

(75) Inventor: **Yuuko Sakuma**, Tokyo (JP)

(73) Assignee: **Sugatsune Kogyo Co., Ltd.**, Tokyo (JP)

(**) Term: **14 Years**

(21) Appl. No.: **29/371,066**

(22) Filed: **Oct. 7, 2010**

(30) **Foreign Application Priority Data**

Apr. 14, 2010 (JP) 2010-009503

(51) **LOC (9) Cl.** **06-08**

(52) **U.S. Cl.** **D6/320**

(58) **Field of Classification Search** D6/315,
D6/320, 323, 328; D8/367, 372; 211/13.1,
211/85.3, 86.01, 181.1, 183; 223/85-98
See application file for complete search history.

(56) **References Cited**

U.S. PATENT DOCUMENTS

D289,255 S * 4/1987 Chasen D8/367
D393,412 S * 4/1998 Bries et al. D8/367
D417,341 S * 12/1999 Hampshire D6/323

D436,452 S * 1/2001 Gastelum et al. D6/323
D463,142 S * 9/2002 Chou D6/323
D505,274 S * 5/2005 Lai D6/323
D541,057 S * 4/2007 Kirar D6/323

* cited by examiner

Primary Examiner — Shanda C Hill

(74) *Attorney, Agent, or Firm* — Bacon & Thomas, PLLC

(57) **CLAIM**

The ornamental design for a clothes hanger, as shown and described.

DESCRIPTION

FIG. 1 is a perspective view of a clothes hanger embodying my new design;

FIG. 2 is a front view thereof;

FIG. 3 is a rear view thereof;

FIG. 4 is a top plan view thereof;

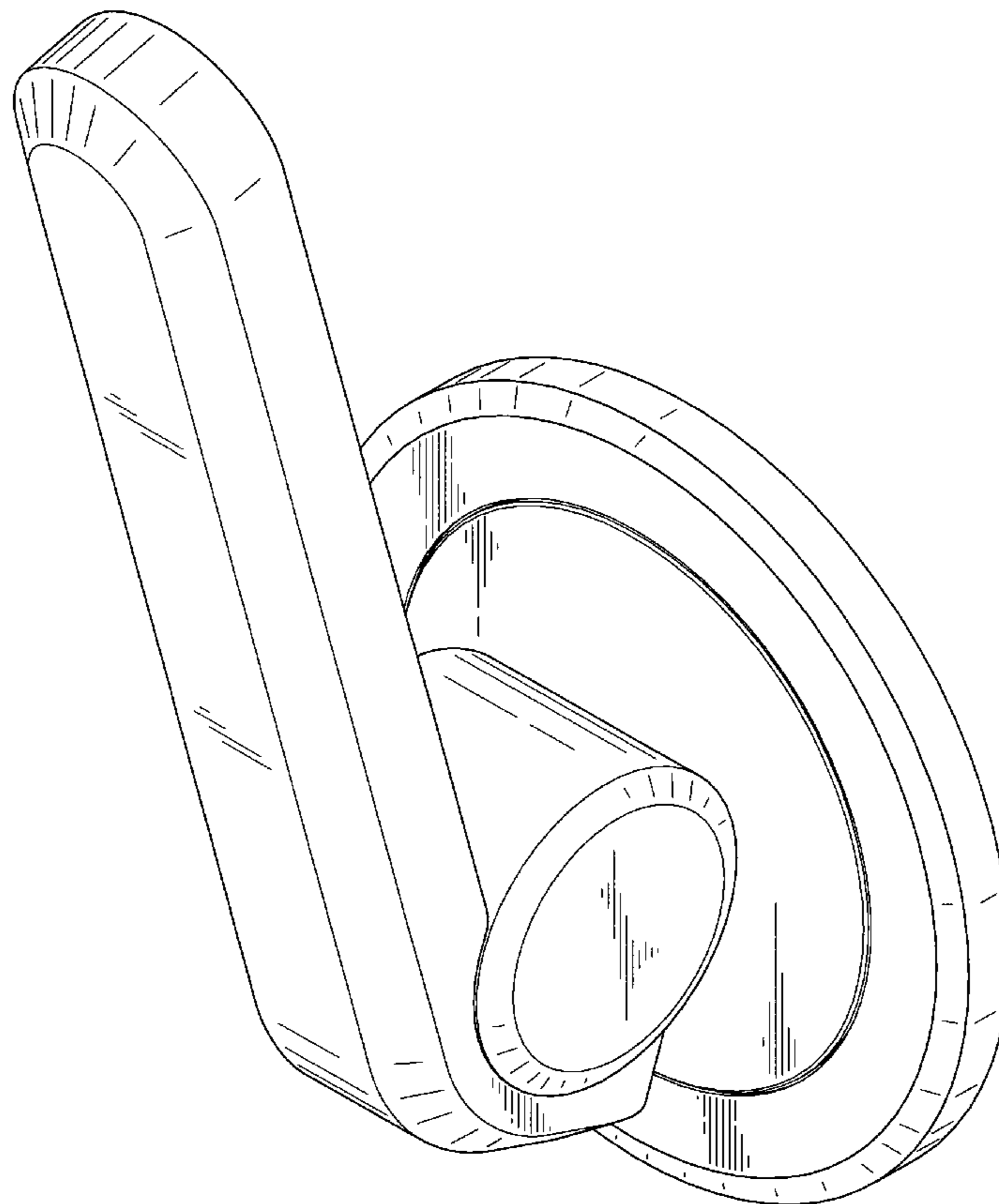
FIG. 5 is a bottom view thereof;

FIG. 6 is a left side view thereof; and,

FIG. 7 is an enlarged cross sectional view thereof, taken along line 7—7 of FIG. 6.

The broken lines shown in the drawing disclosure are for illustrative purposes only and form no part of the claimed design.

1 Claim, 7 Drawing Sheets



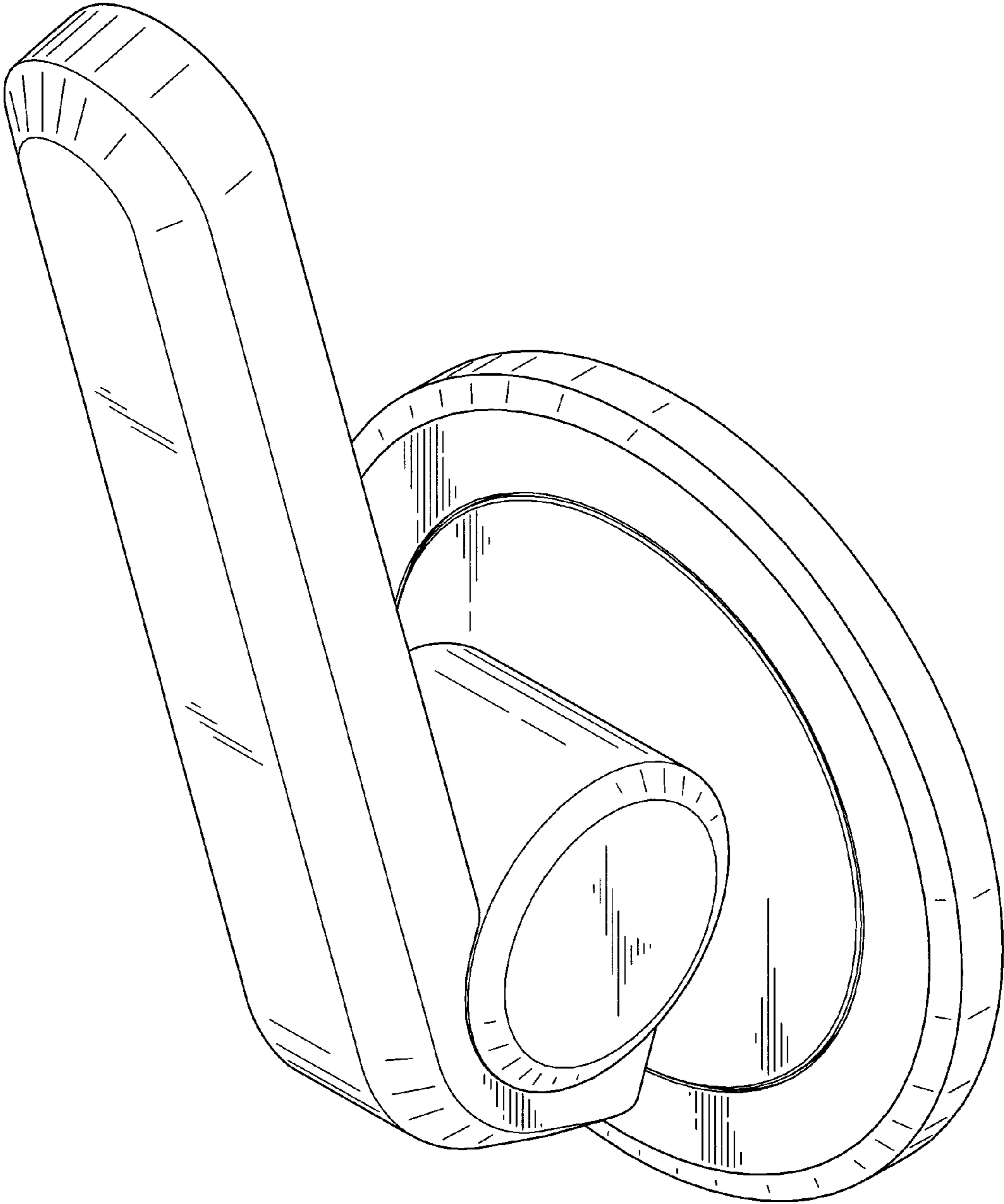


FIG. 1

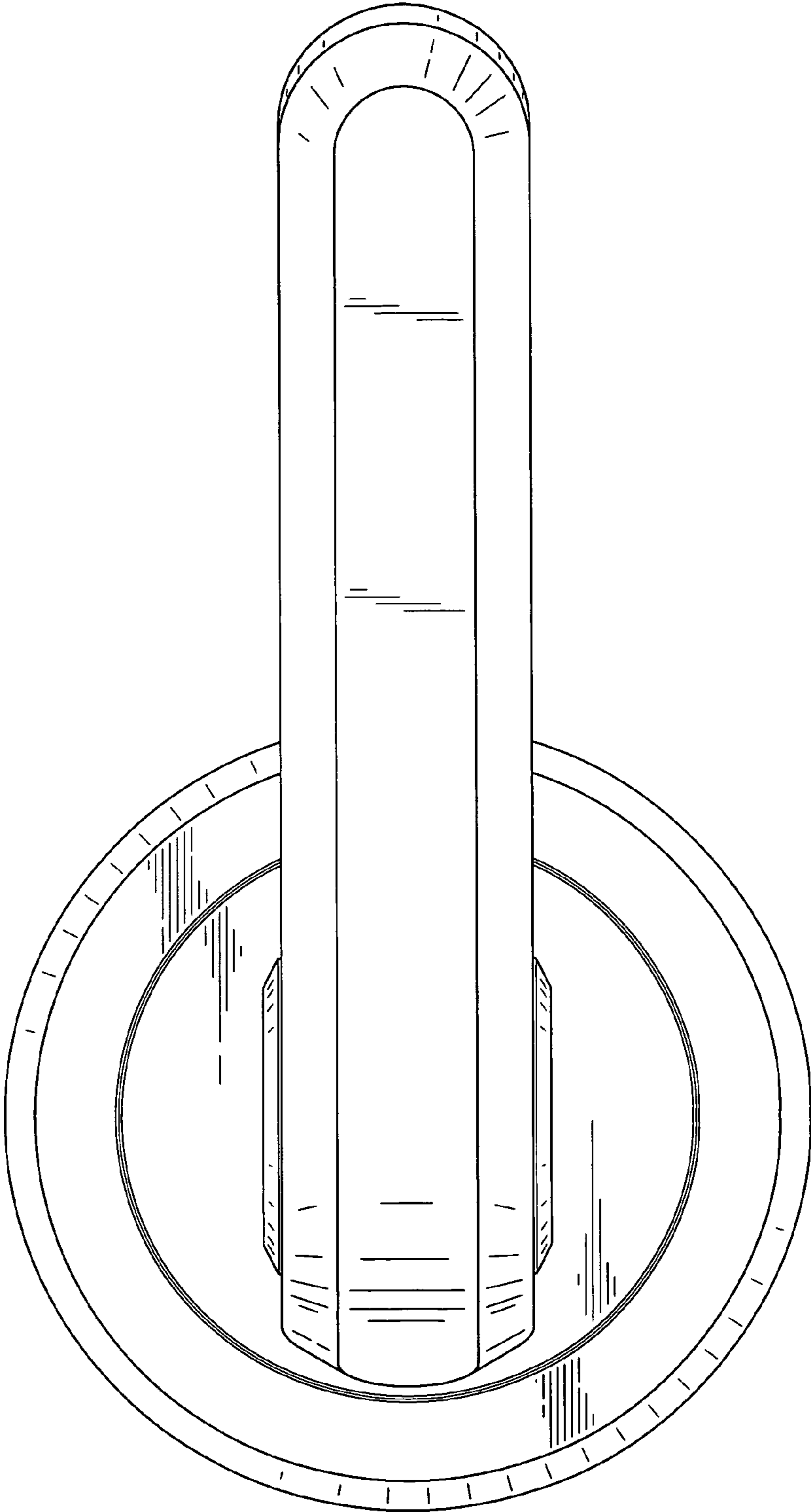


FIG. 2

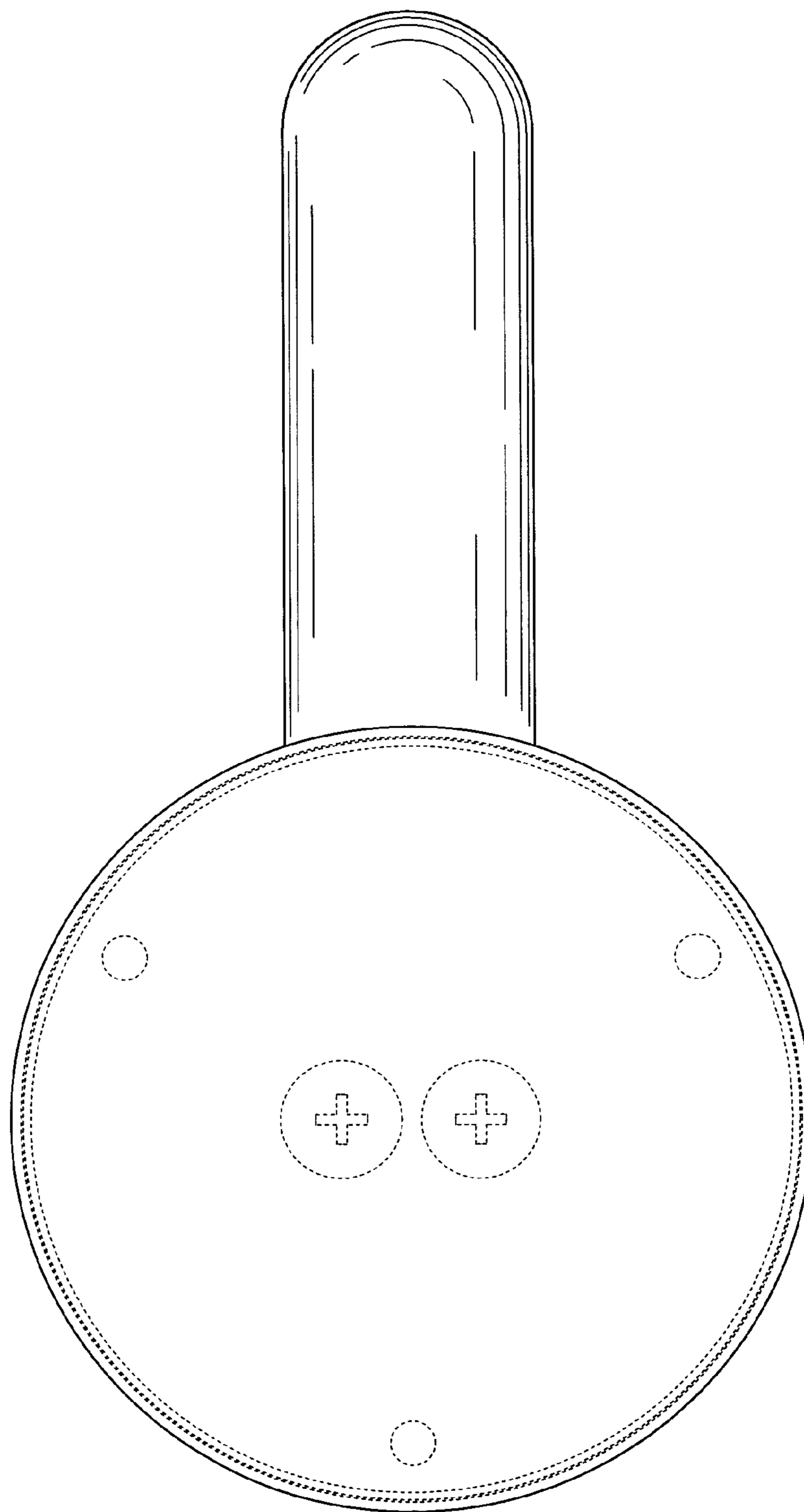


FIG. 3

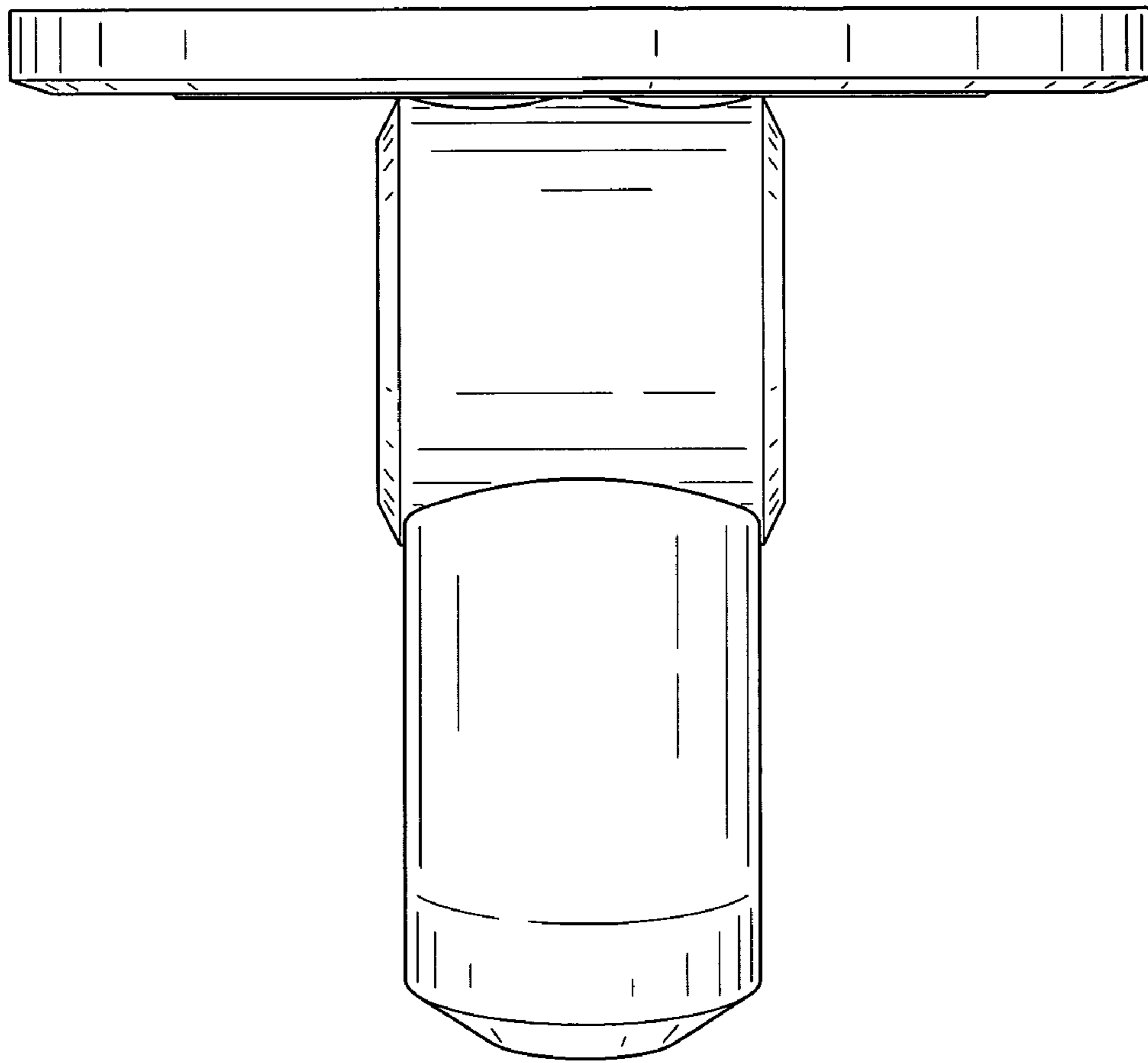


FIG. 4

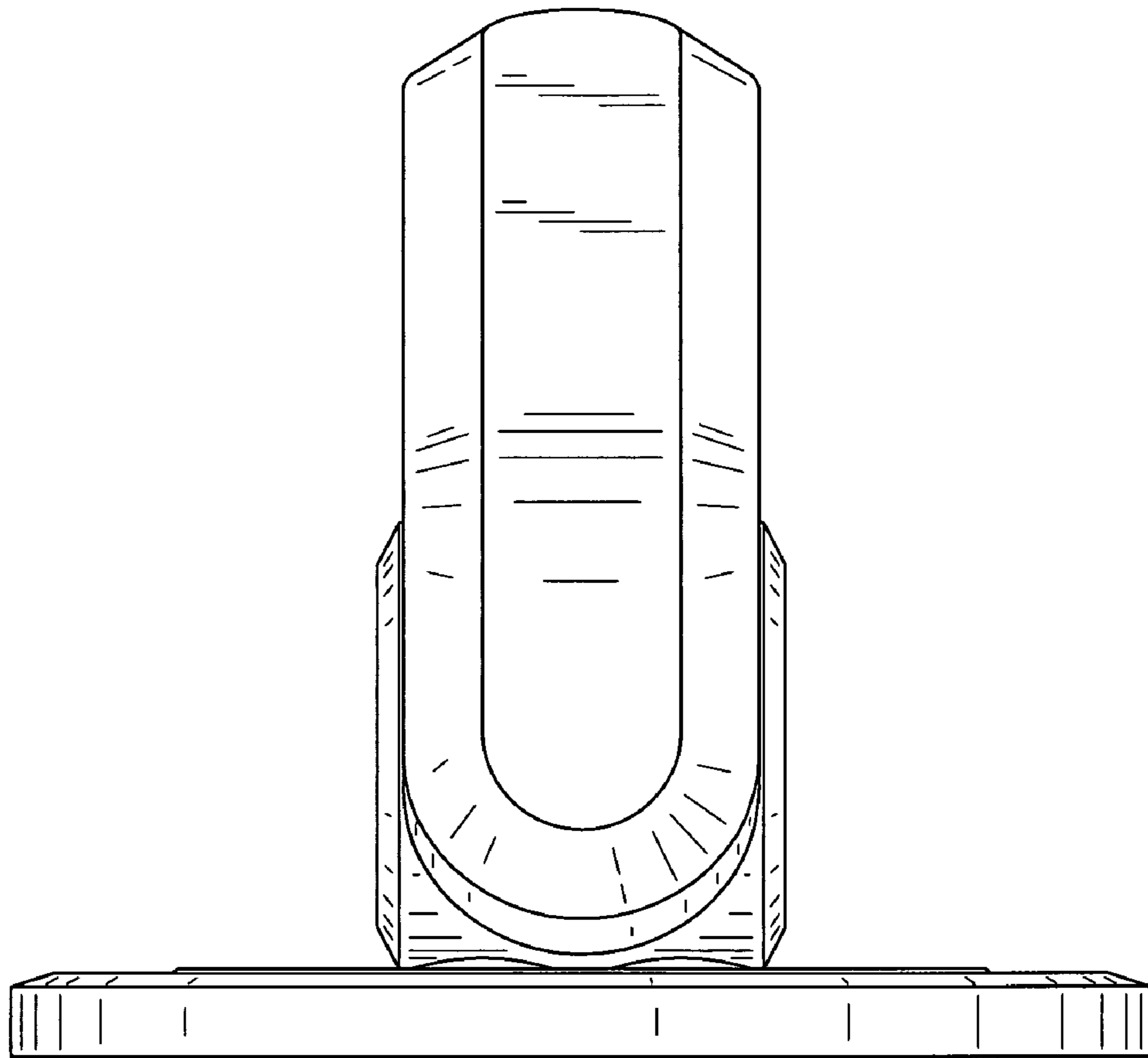


FIG. 5

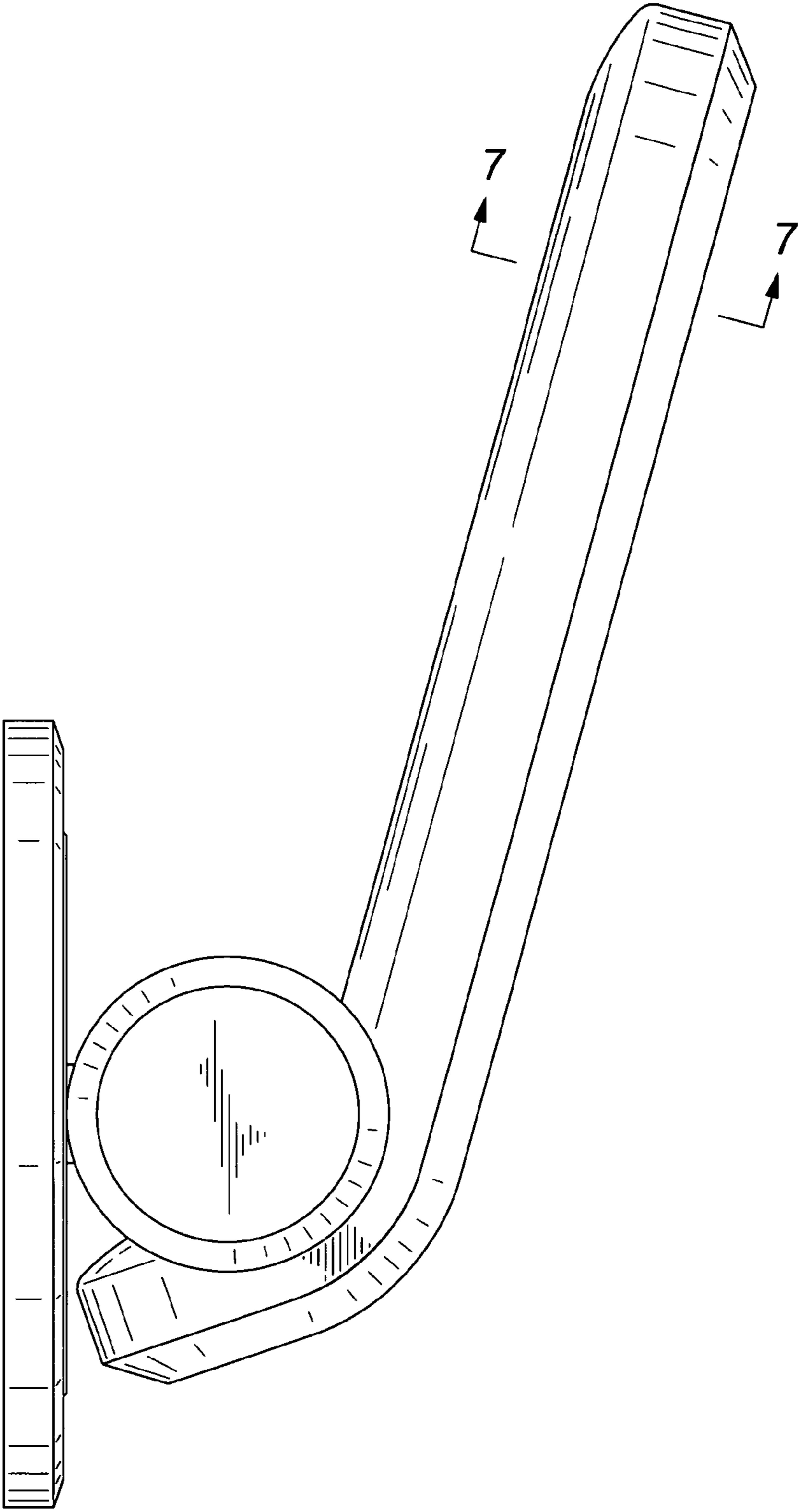


FIG. 6

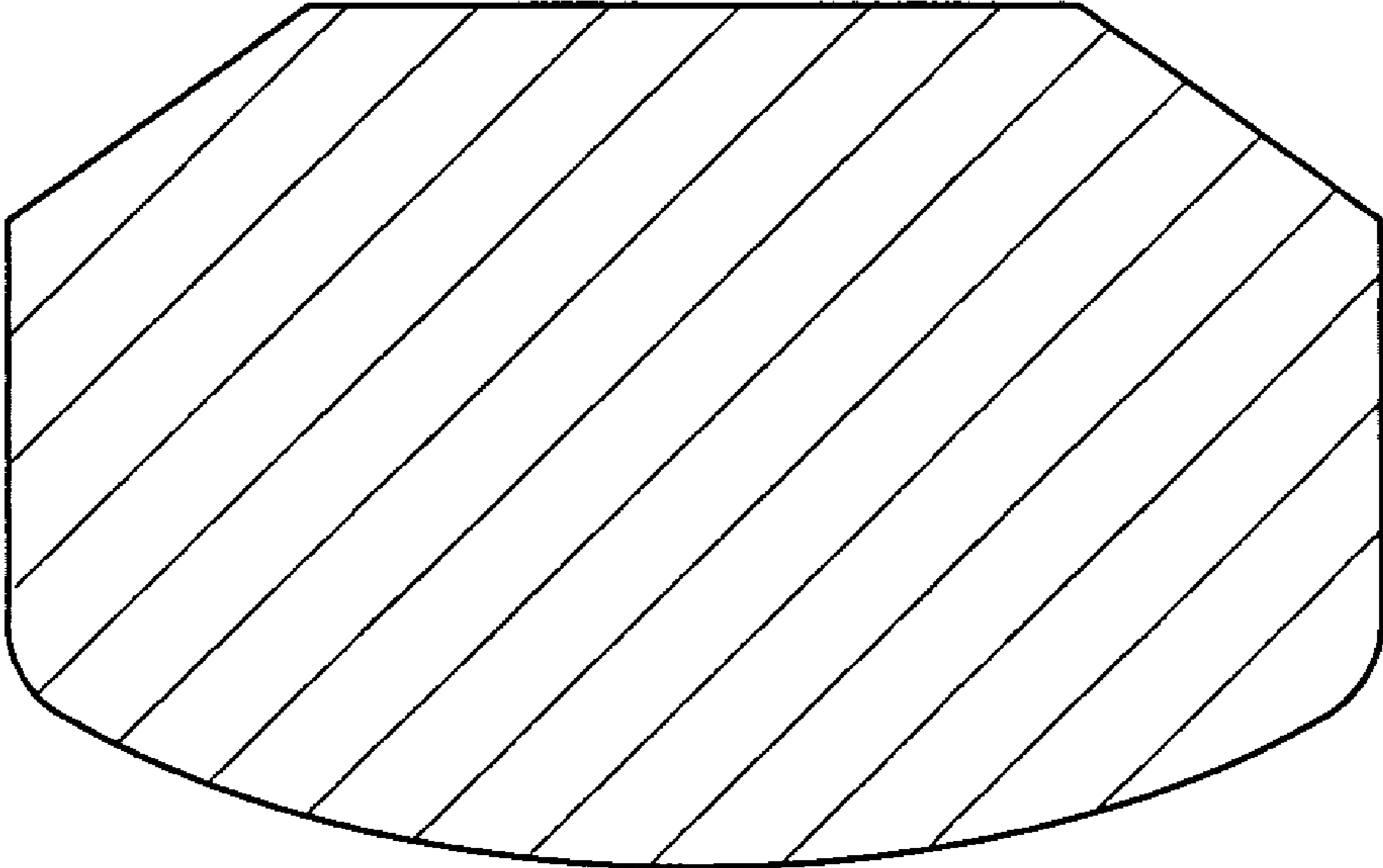


FIG. 7