



US00D637816S

(12) **United States Design Patent**  
**Nitkin**

(10) **Patent No.:** **US D637,816 S**

(45) **Date of Patent:** **\*\* May 17, 2011**

(54) **LUGGAGE HANDLE**

(76) Inventor: **Andrew J. Nitkin**, Yardley, PA (US)

(\*\*) Term: **14 Years**

(21) Appl. No.: **29/366,020**

(22) Filed: **Jul. 19, 2010**

(51) **LOC (9) Cl.** ..... **03-01**

(52) **U.S. Cl.** ..... **D3/318**

(58) **Field of Classification Search** ..... D3/327,  
D3/318, 232–233, 240–246; D8/303; 190/39,  
190/18 A, 18 R, 115–117, 119  
See application file for complete search history.

(56) **References Cited**

U.S. PATENT DOCUMENTS

1,229,658	A	6/1917	Sadow	
D52,489	S *	9/1918	Palmer	D8/303
2,781,878	A	10/1955	Finkelstein	
3,645,104	A	2/1972	Hogan	
3,884,171	A	5/1975	Kline	
4,785,495	A	11/1988	Dellis	
5,031,640	A	7/1991	Spitzer	
5,097,566	A	3/1992	Decker et al.	
D461,390	S *	8/2002	Livingston	D8/303
6,988,295	B2	1/2006	Tillim	
D518,961	S *	4/2006	Armstrong	D3/327
D519,281	S *	4/2006	French	D3/327
D528,800	S *	9/2006	Liu et al.	D3/327
D554,465	S *	11/2007	Laurienzo et al.	D8/303

7,506,409	B2	3/2009	Tillim	
D615,302	S *	5/2010	Yang	D3/327
D615,303	S *	5/2010	Baron	D3/327

\* cited by examiner

*Primary Examiner* — Holly Baynham

(74) *Attorney, Agent, or Firm* — Edell, Shapiro & Finnan, LLC

(57) **CLAIM**

The ornamental design for a luggage handle, as shown and described.

**DESCRIPTION**

FIG. 1 is a top view in perspective showing the luggage handle in accordance with the present invention.

FIG. 2 is a left side view in elevation of the luggage handle shown in FIG. 1.

FIG. 3 is a right side view in elevation of the luggage handle shown in FIG. 1.

FIG. 4 is a front view in elevation of the luggage handle shown in FIG. 1.

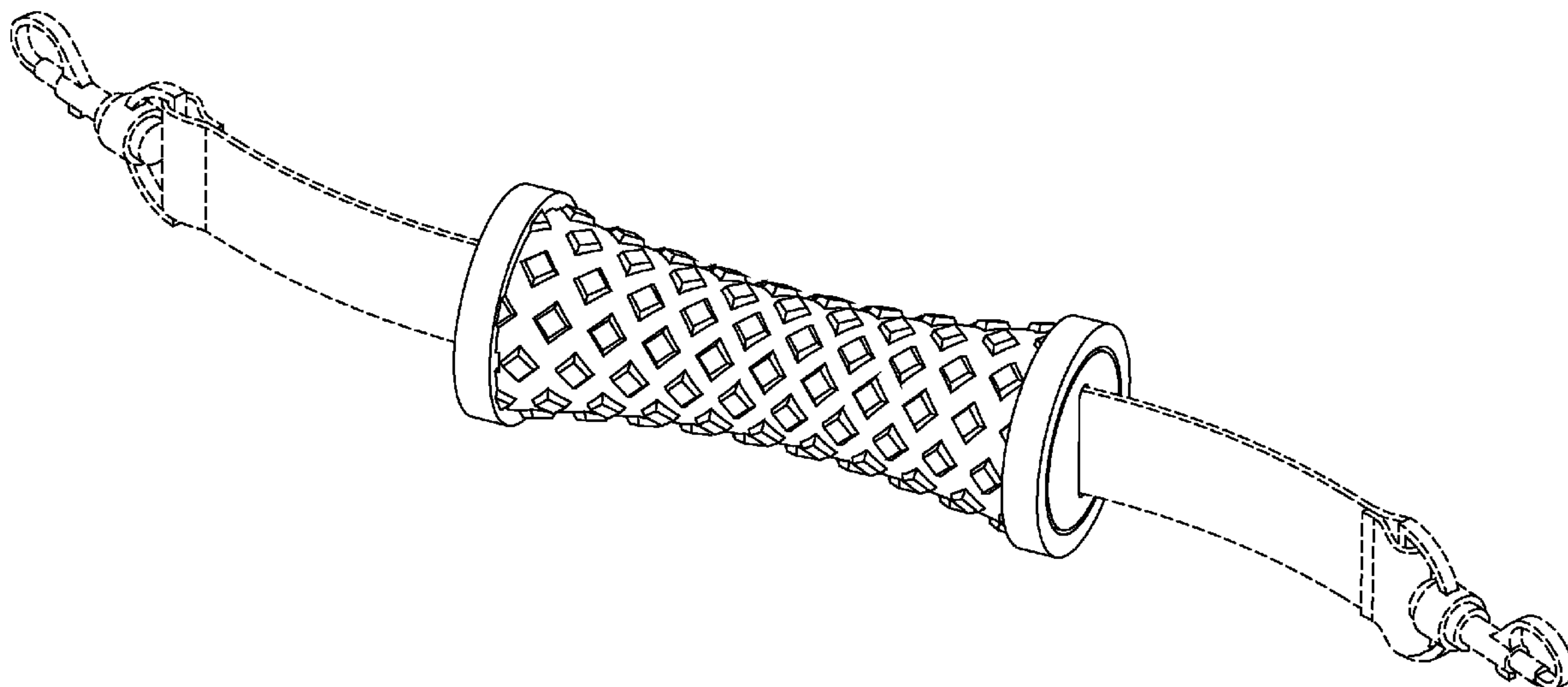
FIG. 5 is a rear view in elevation of the luggage handle shown in FIG. 1.

FIG. 6 is a top view in plan of the luggage handle shown in FIG. 1; and,

FIG. 7 is a bottom view in plan of the luggage handle shown in FIG. 1.

The broken line showing of a strap is included for the purpose of illustrating environment and forms no part of the claimed design.

**1 Claim, 4 Drawing Sheets**



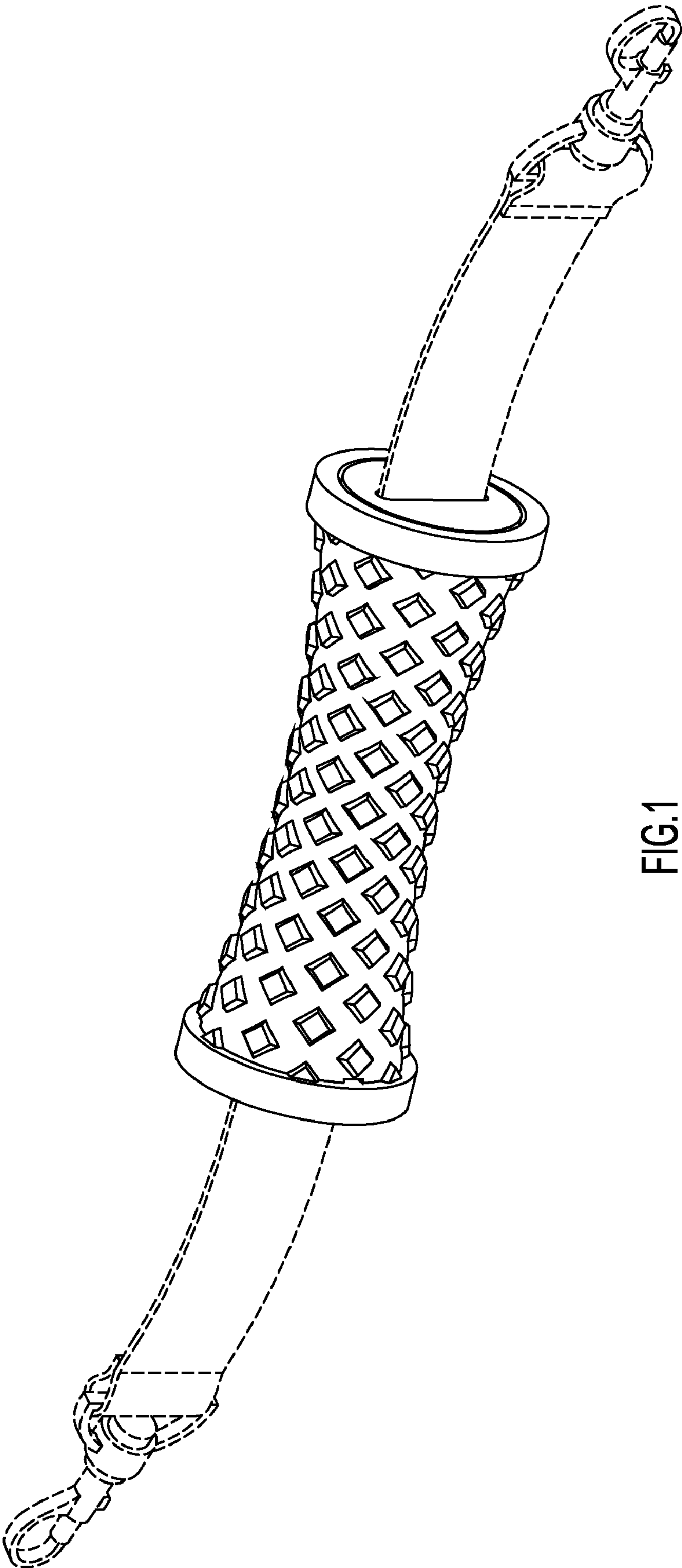


FIG.1

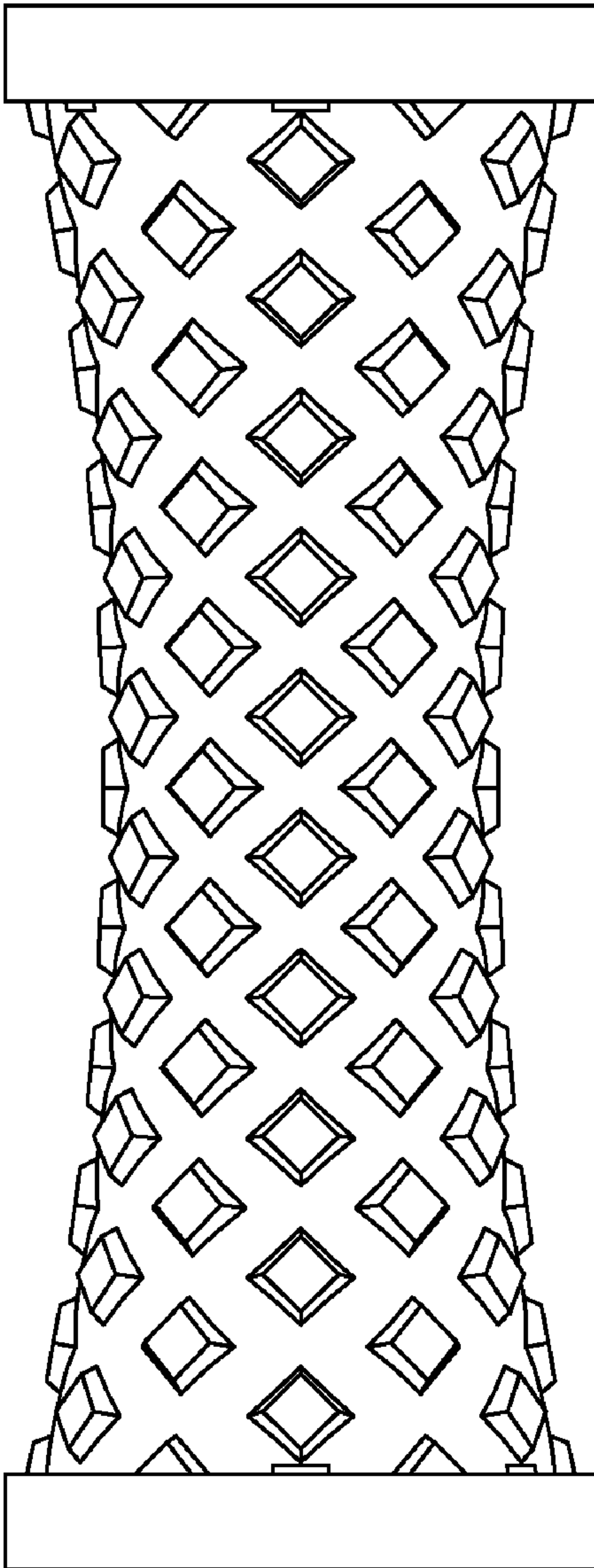


FIG. 2

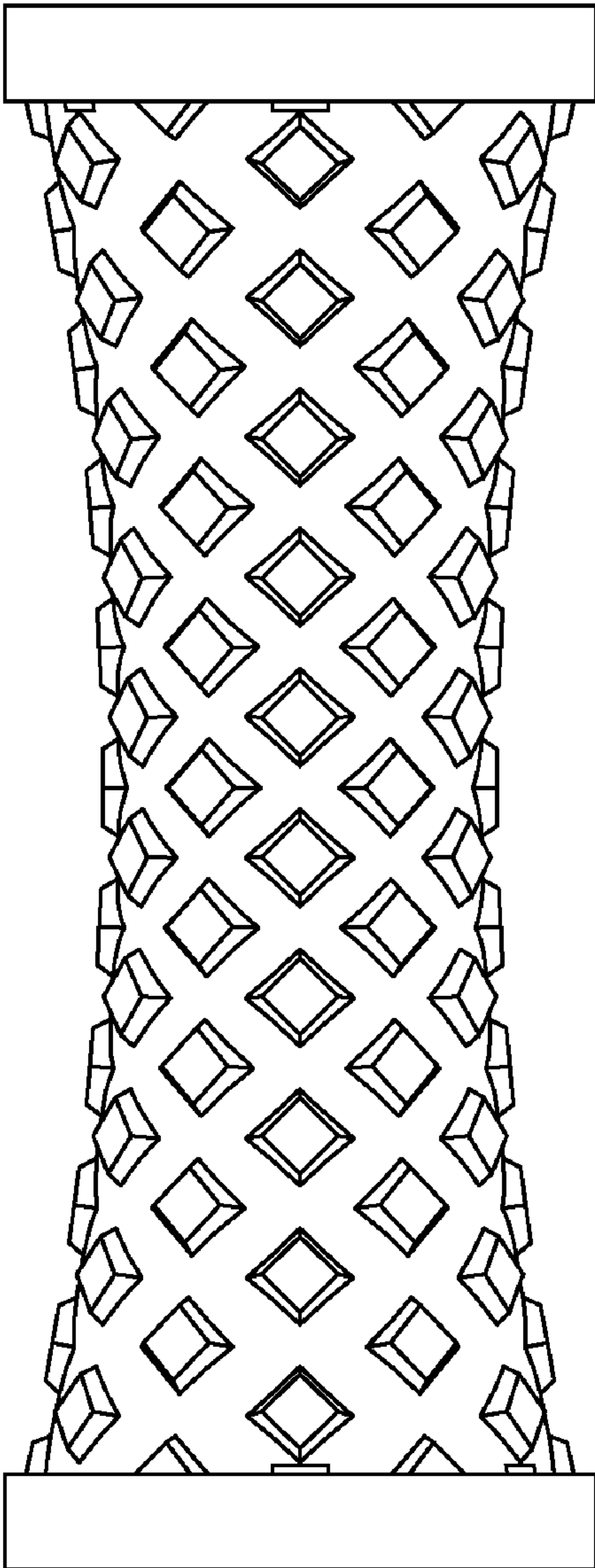


FIG. 3



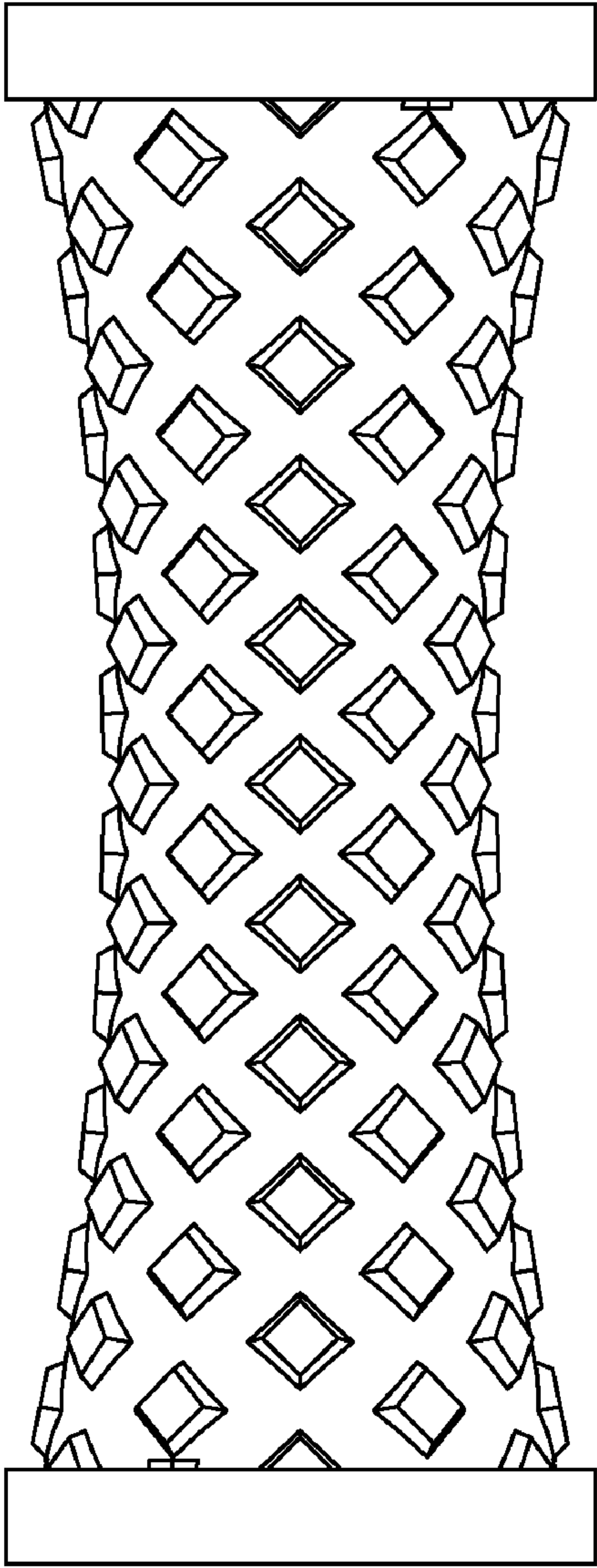


FIG. 4

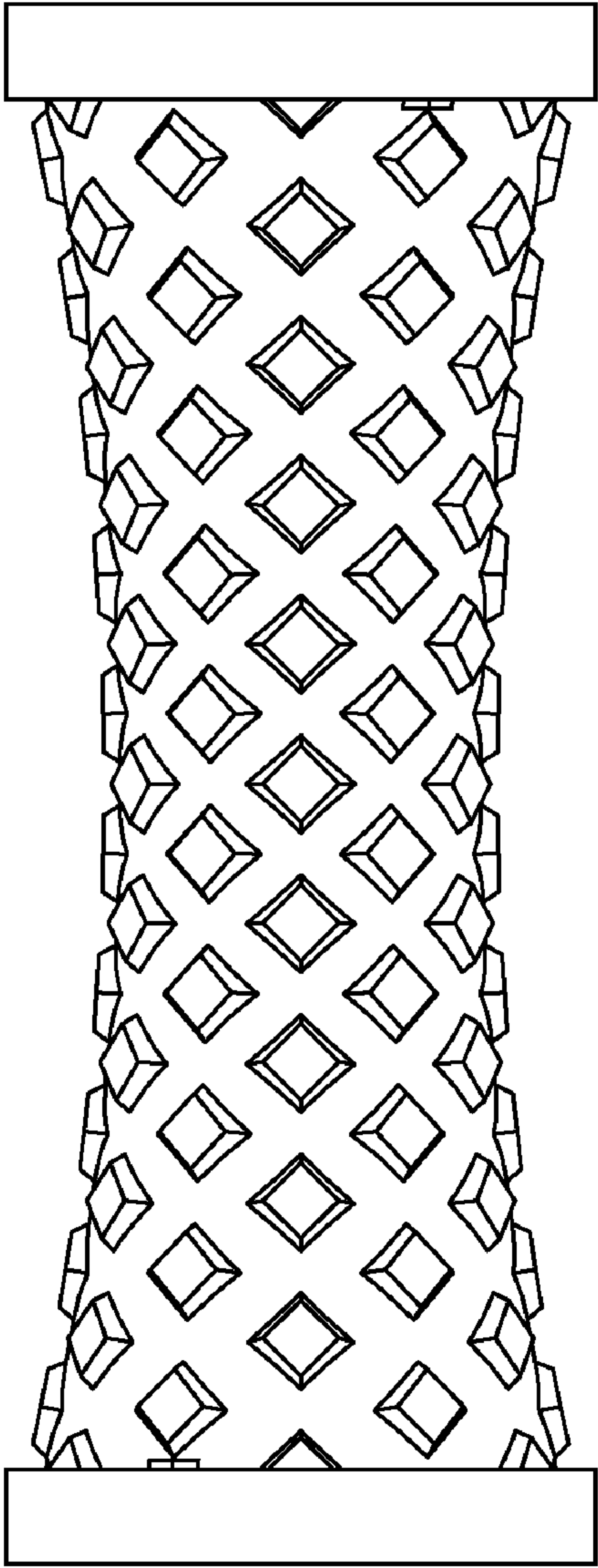


FIG. 5

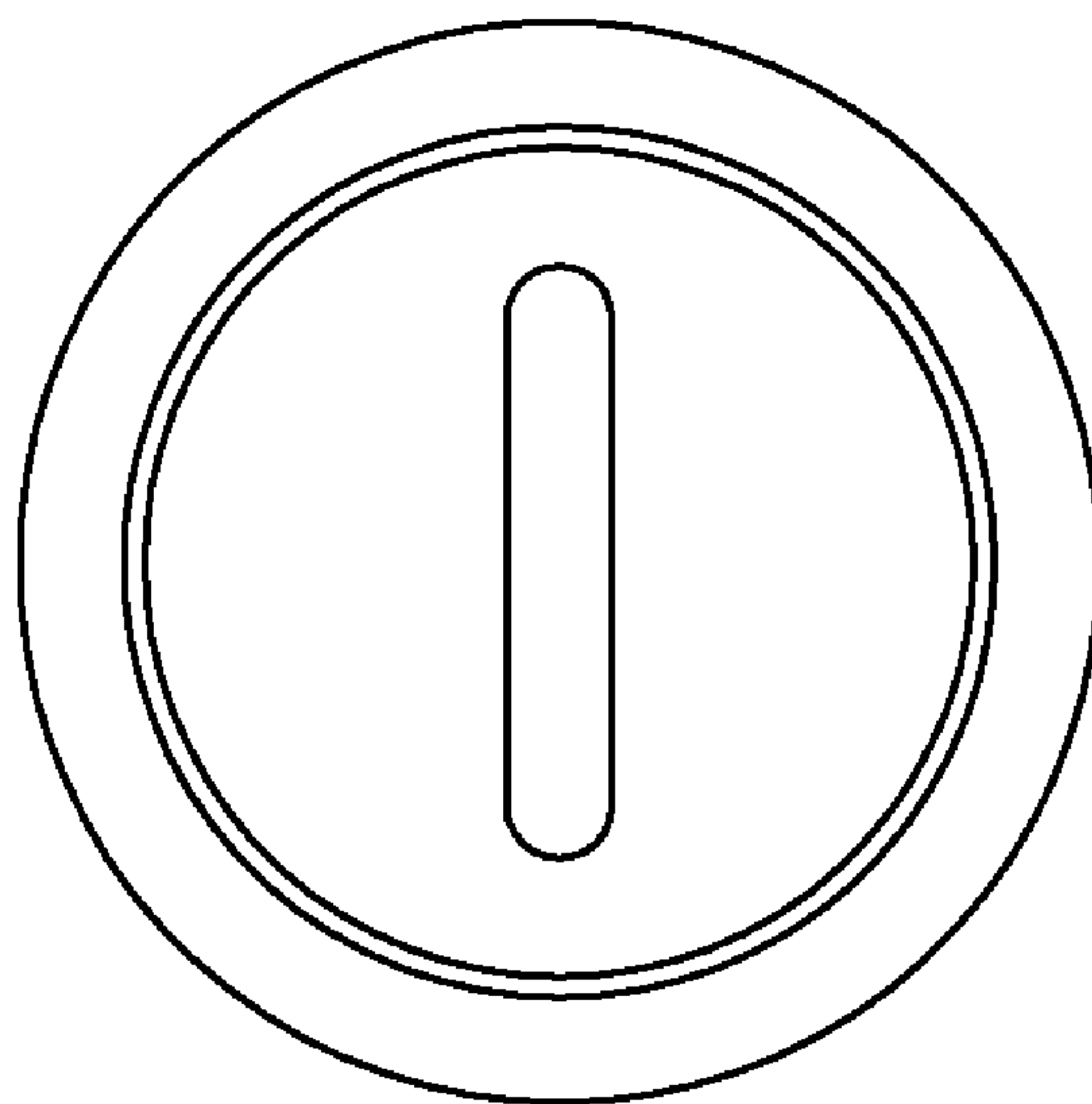


FIG.6

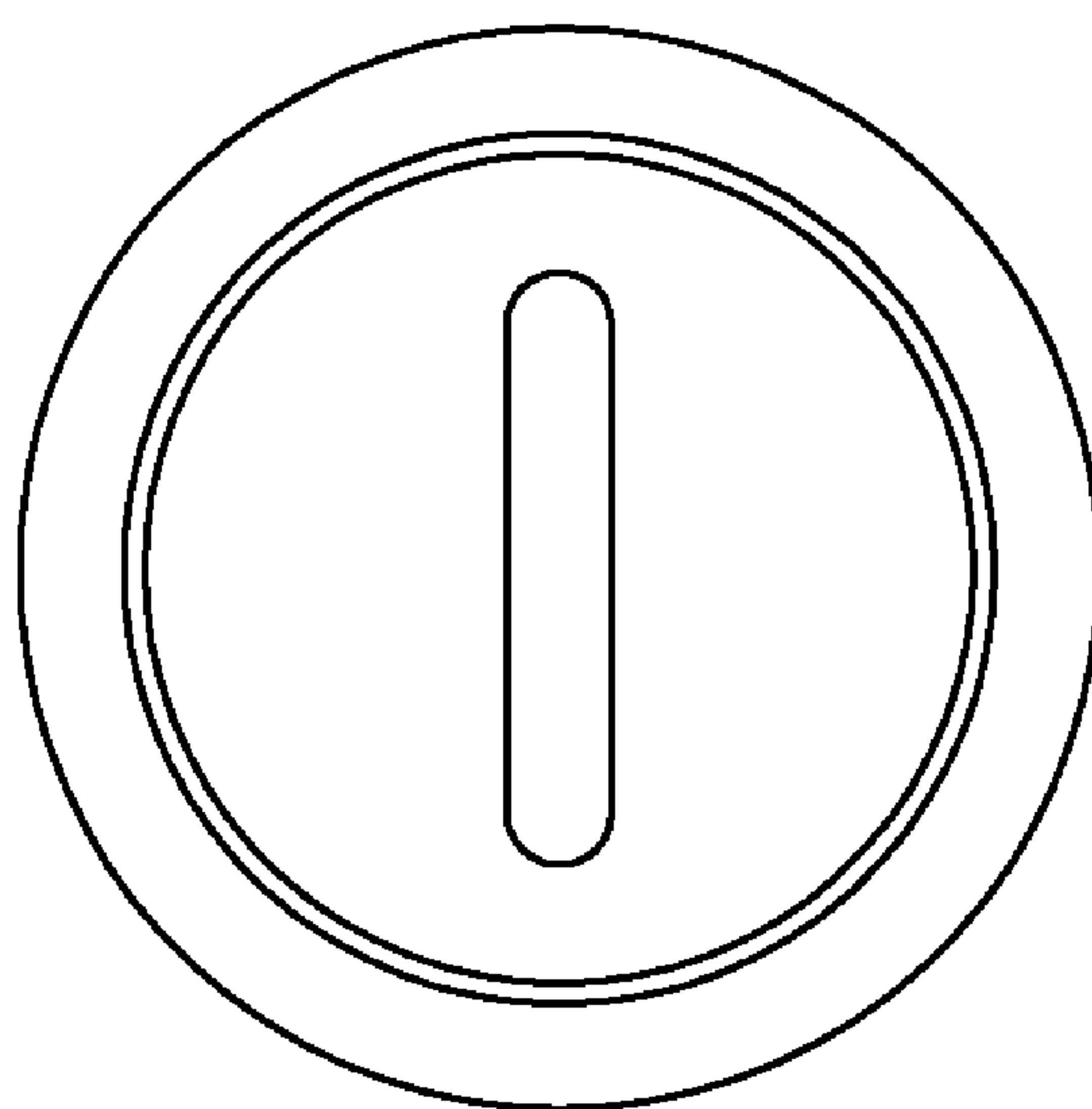


FIG.7