

US00D637815S

(12) **United States Design Patent**
Hsieh

(10) **Patent No.:** **US D637,815 S**

(45) **Date of Patent:** **** May 17, 2011**

(54) **TOOL TRAY**

(76) Inventor: **Chih-Chien Hsieh**, Taiping (TW)

(**) Term: **14 Years**

(21) Appl. No.: **29/382,012**

(22) Filed: **Dec. 28, 2010**

(51) **LOC (9) Cl.** **03-01**

(52) **U.S. Cl.** **D3/313**

(58) **Field of Classification Search** D3/304,
D3/307, 313, 315-316; D32/55, 58; 211/60.1,
211/70.6, 71.01, 74; D8/71; D11/147, 152;
D7/550.1, 552.1, 554.3, 558

See application file for complete search history.

(56) **References Cited**

U.S. PATENT DOCUMENTS

D92,312 S *	5/1934	Kanter	D7/507
D152,655 S *	2/1949	Rossell	D11/147
4,238,035 A *	12/1980	Kassanchuk	211/74
D322,343 S *	12/1991	Pearcy	D32/58
D357,886 S *	5/1995	Fuller	D11/152
5,511,673 A *	4/1996	Folk	211/70.6
5,544,764 A *	8/1996	Cima	211/60.1
D373,867 S *	9/1996	Rask	D32/58
D376,559 S *	12/1996	Elsea	D11/147
D449,414 S *	10/2001	James et al.	D32/55
D460,295 S *	7/2002	Fissell et al.	D6/467

D465,891 S *	11/2002	Brown	D32/55
D539,563 S *	4/2007	Grosfillex	D6/465
D554,188 S *	10/2007	Bonaventura	D19/90
D598,127 S *	8/2009	Lea	D24/227
D618,280 S *	6/2010	Siegel	D19/85

* cited by examiner

Primary Examiner — Elizabeth Albert

Assistant Examiner — Kelley A Donnelly

(74) *Attorney, Agent, or Firm* — Egbert Law Offices PLLC

(57) **CLAIM**

The ornamental design for a tool tray, as shown and described.

DESCRIPTION

FIG. 1 is an upper perspective view of the tool tray showing my design.

FIG. 2 is a front elevation view thereof;

FIG. 3 is back elevation view thereof;

FIG. 4 is a side elevation view thereof;

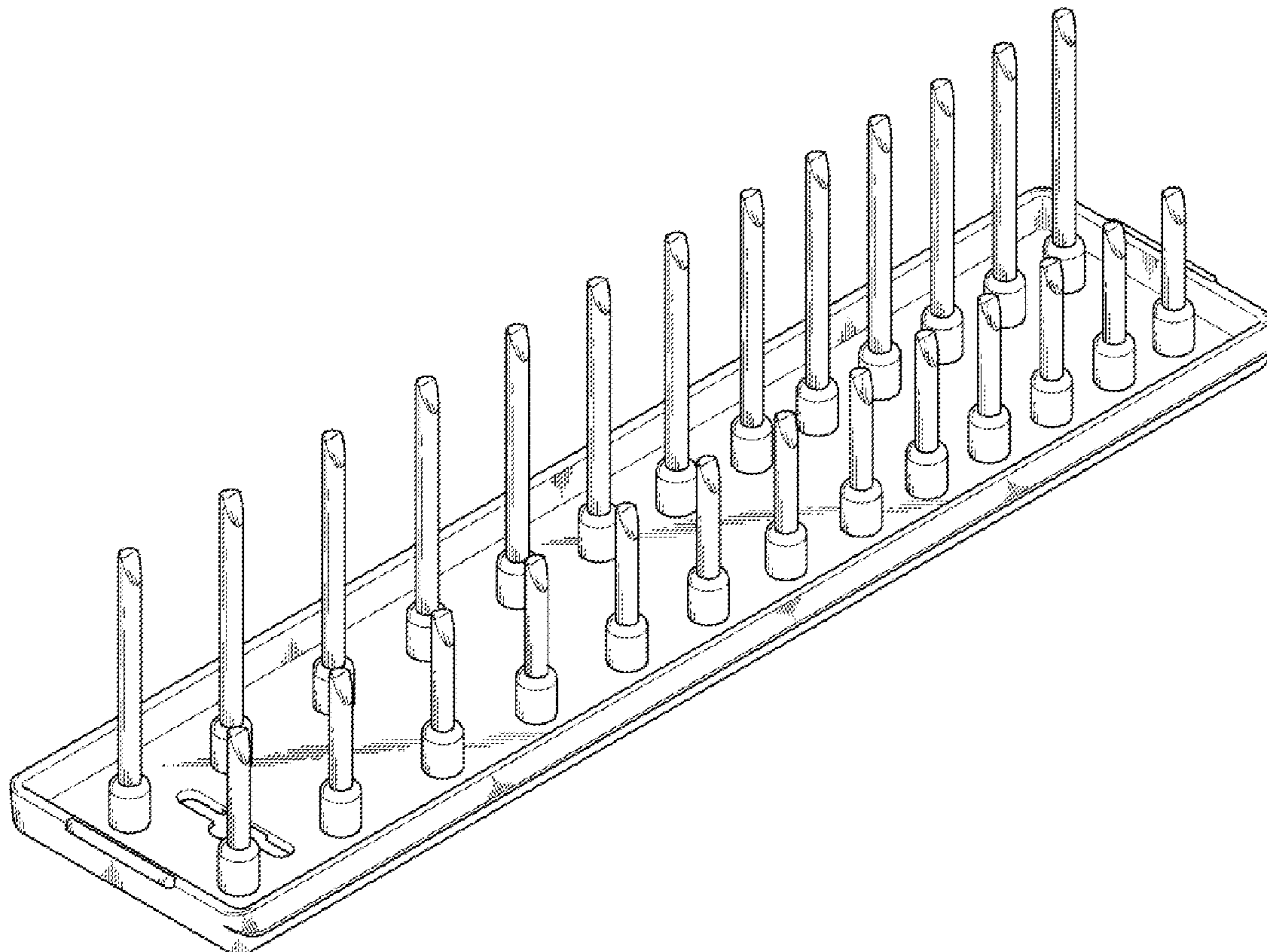
FIG. 5 is an opposite side elevation view thereof;

FIG. 6 is a top plan view thereof; and,

FIG. 7 is a bottom plan view thereof.

The broken lines are for the purpose of illustrating the environment of the article only and form no part of the claimed design.

1 Claim, 6 Drawing Sheets



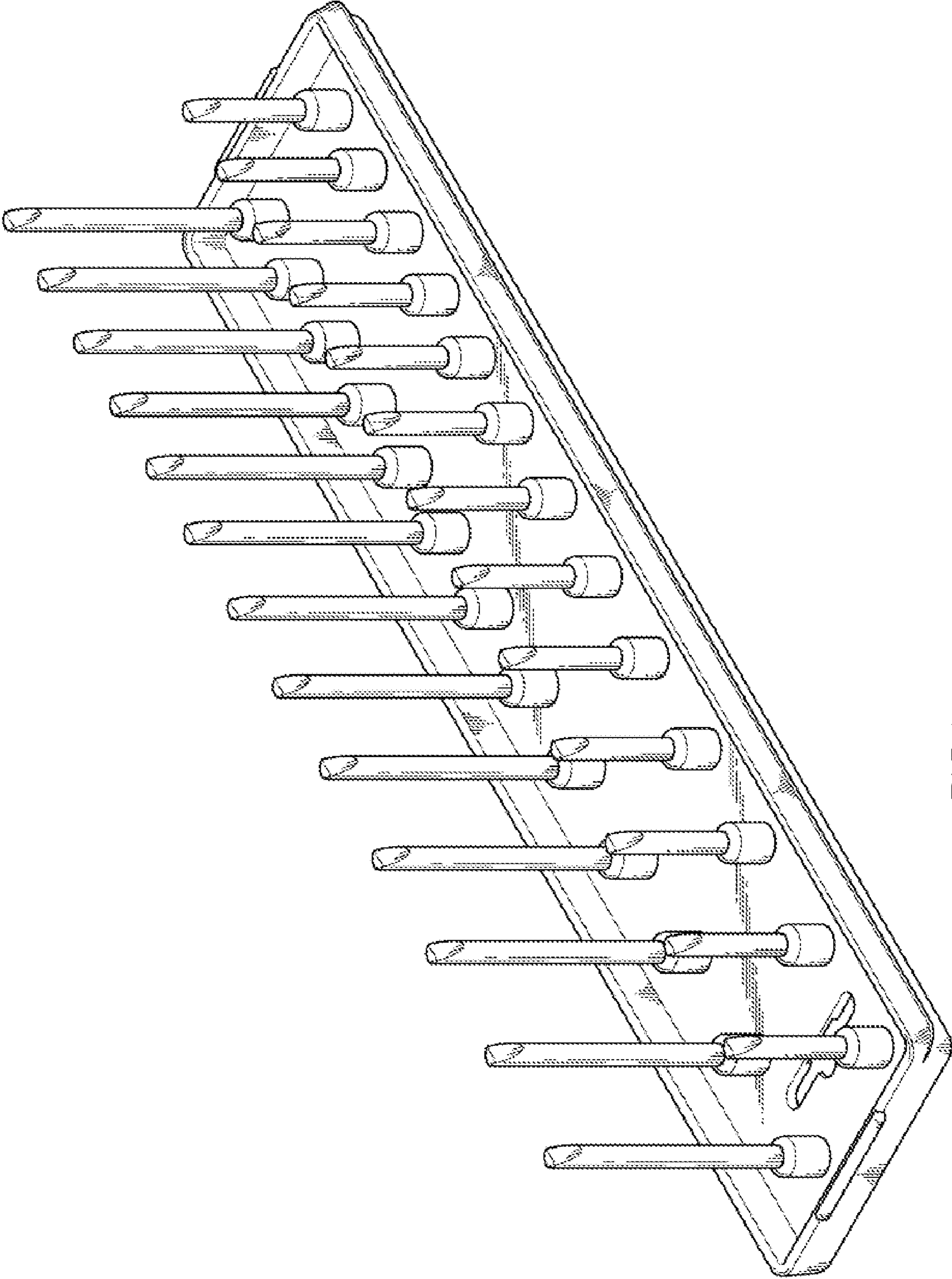


FIG.1

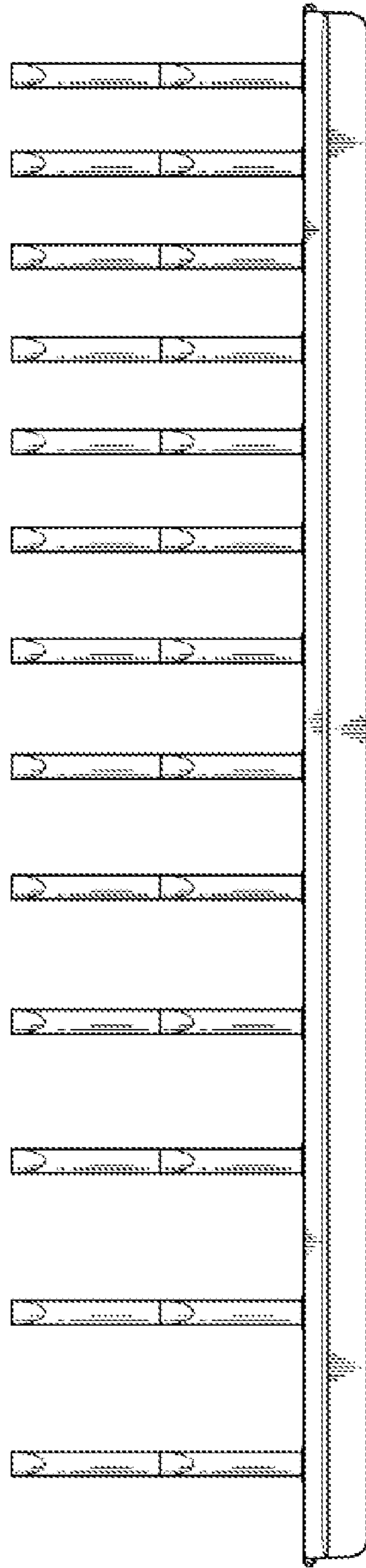


FIG. 2

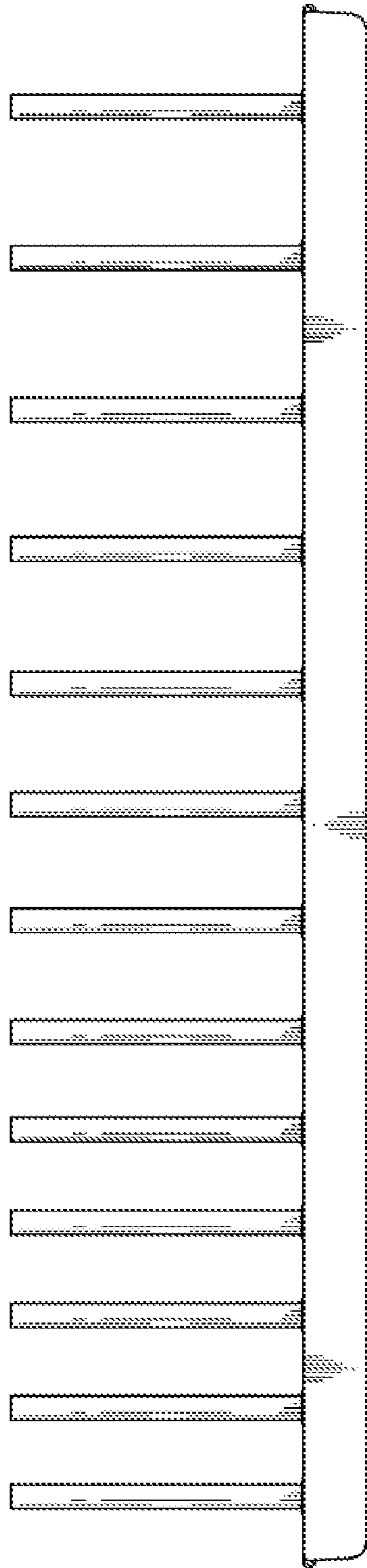


FIG.3

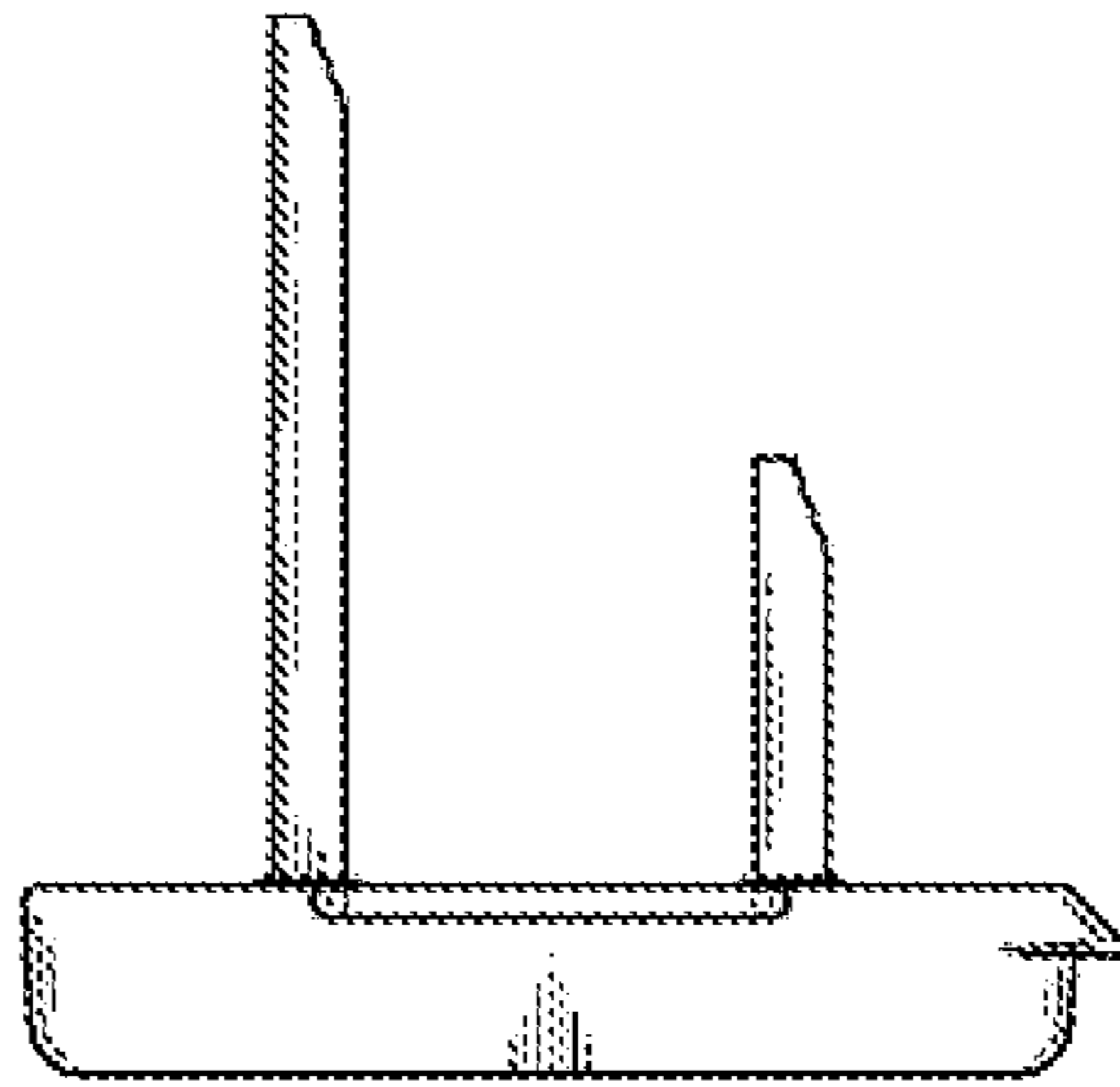


FIG. 4

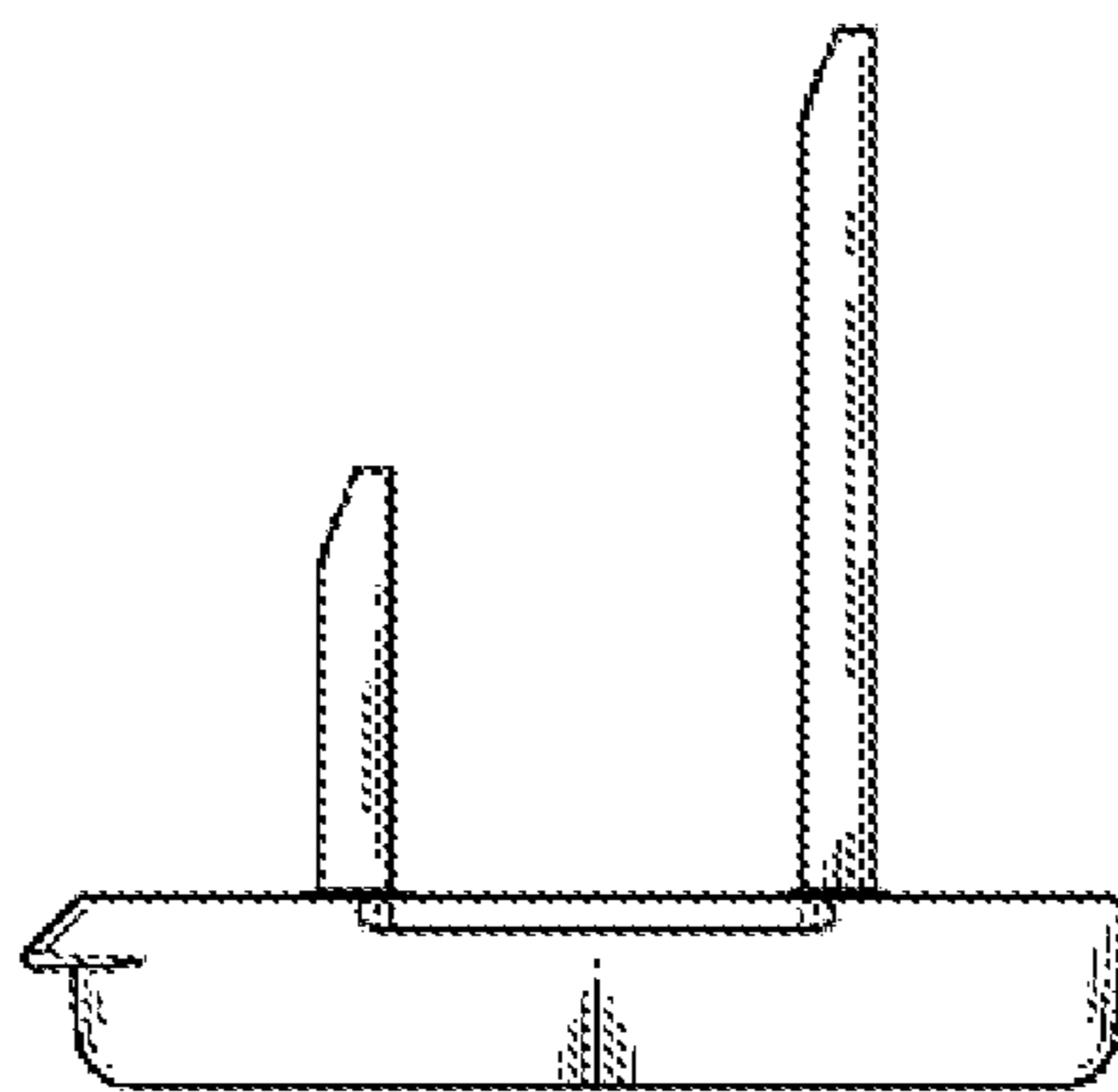


FIG. 5

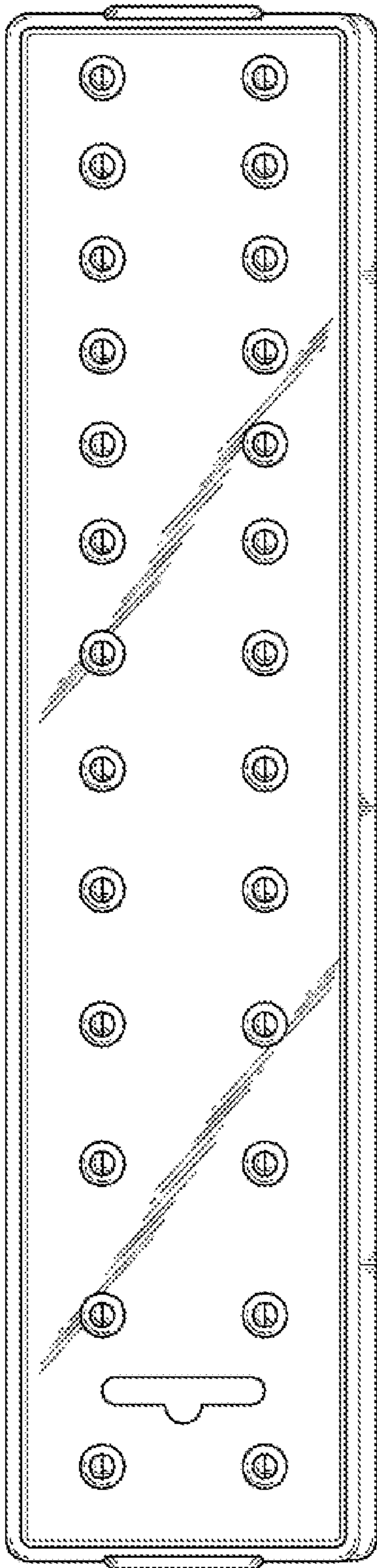


FIG.6

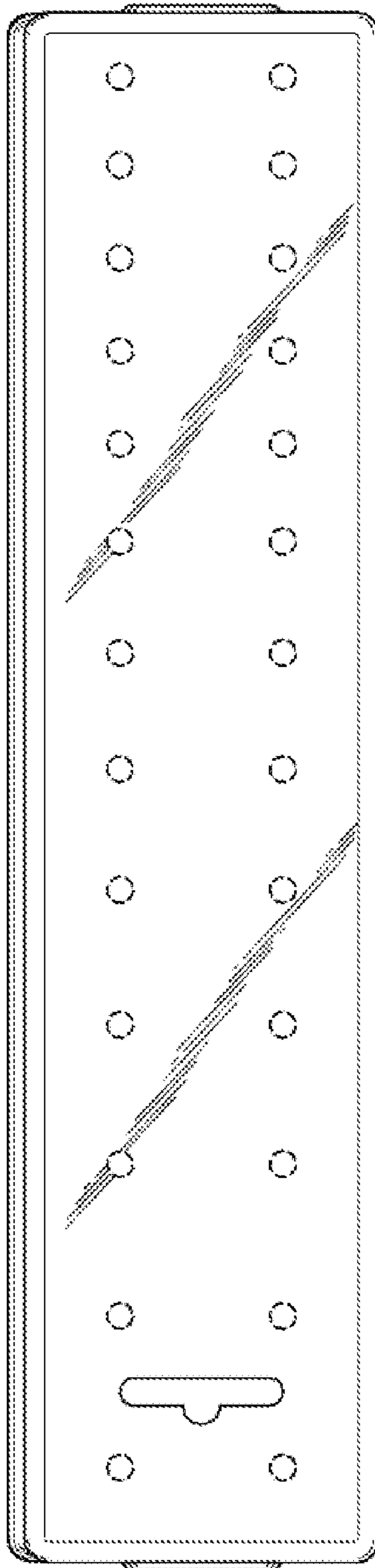


FIG. 7