



US00D637812S

(12) **United States Design Patent**
Horiyama et al.

(10) **Patent No.:** **US D637,812 S**

(45) **Date of Patent:** **** May 17, 2011**

(54) **TOOL BOX**

(75) Inventors: **Toru Horiyama**, Anjo (JP); **Yukiyasu Okouchi**, Anjo (JP)

(73) Assignee: **Makita Corporation**, Anjo-shi (JP)

(**) Term: **14 Years**

(21) Appl. No.: **29/347,028**

(22) Filed: **Aug. 27, 2009**

(30) **Foreign Application Priority Data**

Mar. 10, 2009 (JP) 2009-005202

(51) **LOC (9) Cl.** **03-01**

(52) **U.S. Cl.** **D3/294**

(58) **Field of Classification Search** D3/272-273,
D3/279, 294; 206/372-373, 307, 223
See application file for complete search history.

(56) **References Cited**

U.S. PATENT DOCUMENTS

D350,231 S * 9/1994 Giegerich D3/254
D472,384 S * 4/2003 Richardson D3/273

D516,309 S * 3/2006 Richardson et al. D3/273
D516,807 S * 3/2006 Richardson et al. D3/273
7,367,451 B2 * 5/2008 Pendergraph et al. 206/379
D613,059 S * 4/2010 Horiyama et al. D3/281

FOREIGN PATENT DOCUMENTS

JP S-1269111 4/2006

* cited by examiner

Primary Examiner — Holly H Baynham

(74) *Attorney, Agent, or Firm* — Oliff & Berridge, PLC

(57) **CLAIM**

The ornamental design for a tool box, as shown and described.

DESCRIPTION

FIG. 1 is a perspective view of a tool box showing our new design;

FIG. 2 is a front elevation view thereof;

FIG. 3 is a rear elevation view thereof;

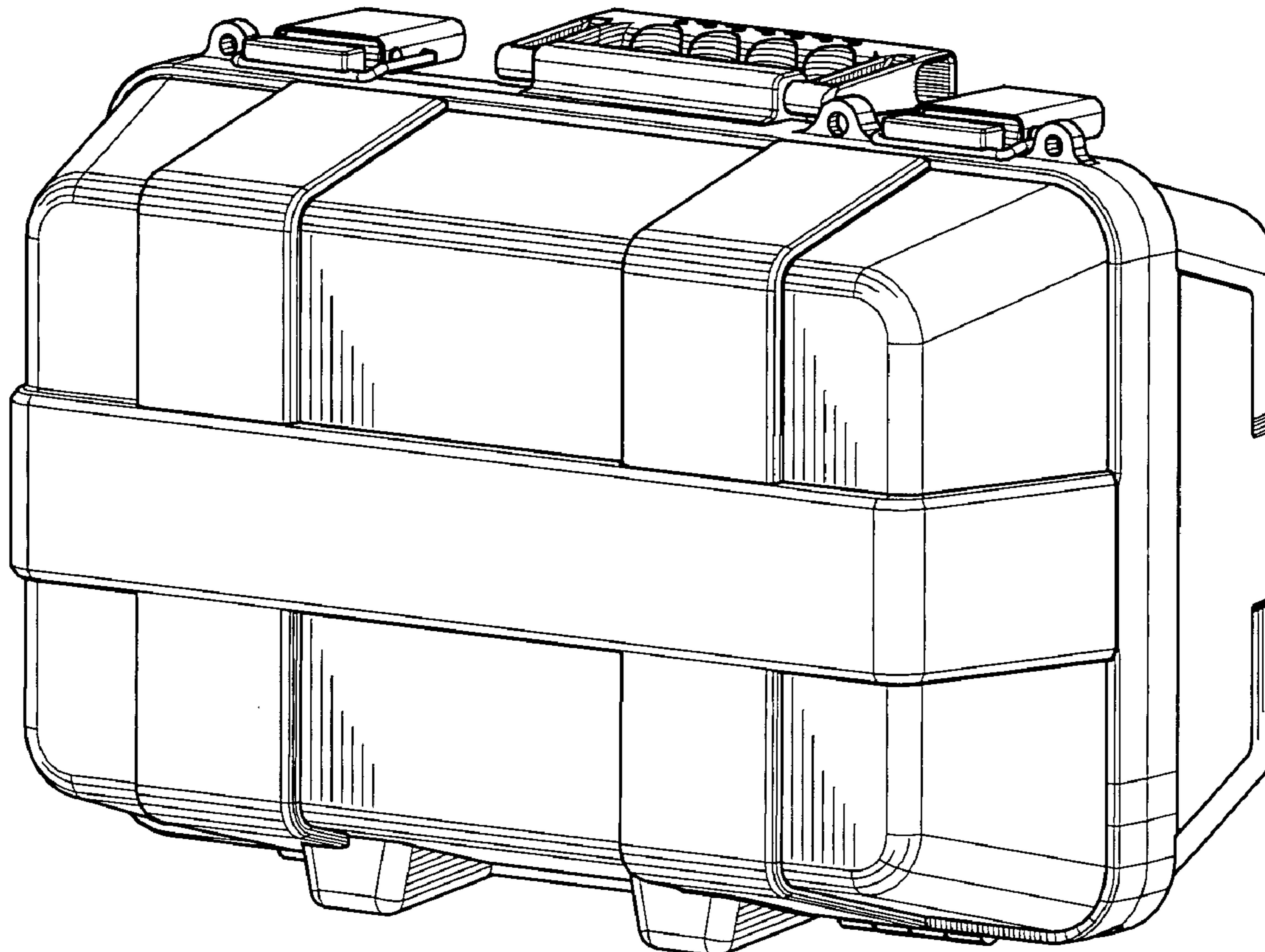
FIG. 4 is a left side elevation view thereof;

FIG. 5 is a right side elevation view thereof;

FIG. 6 is a top plan view thereof; and,

FIG. 7 is a bottom plan view thereof.

1 Claim, 4 Drawing Sheets



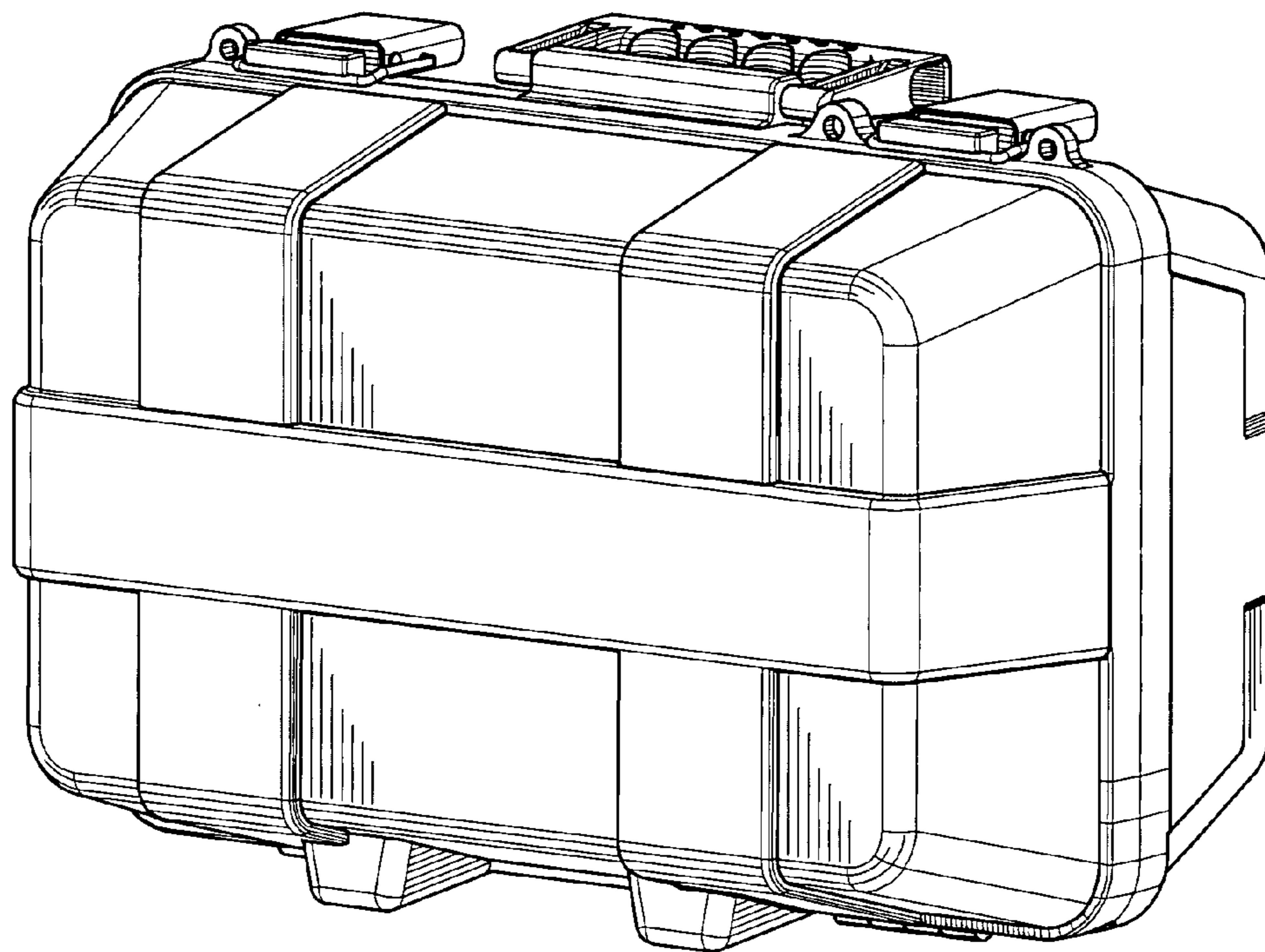


FIG. 1

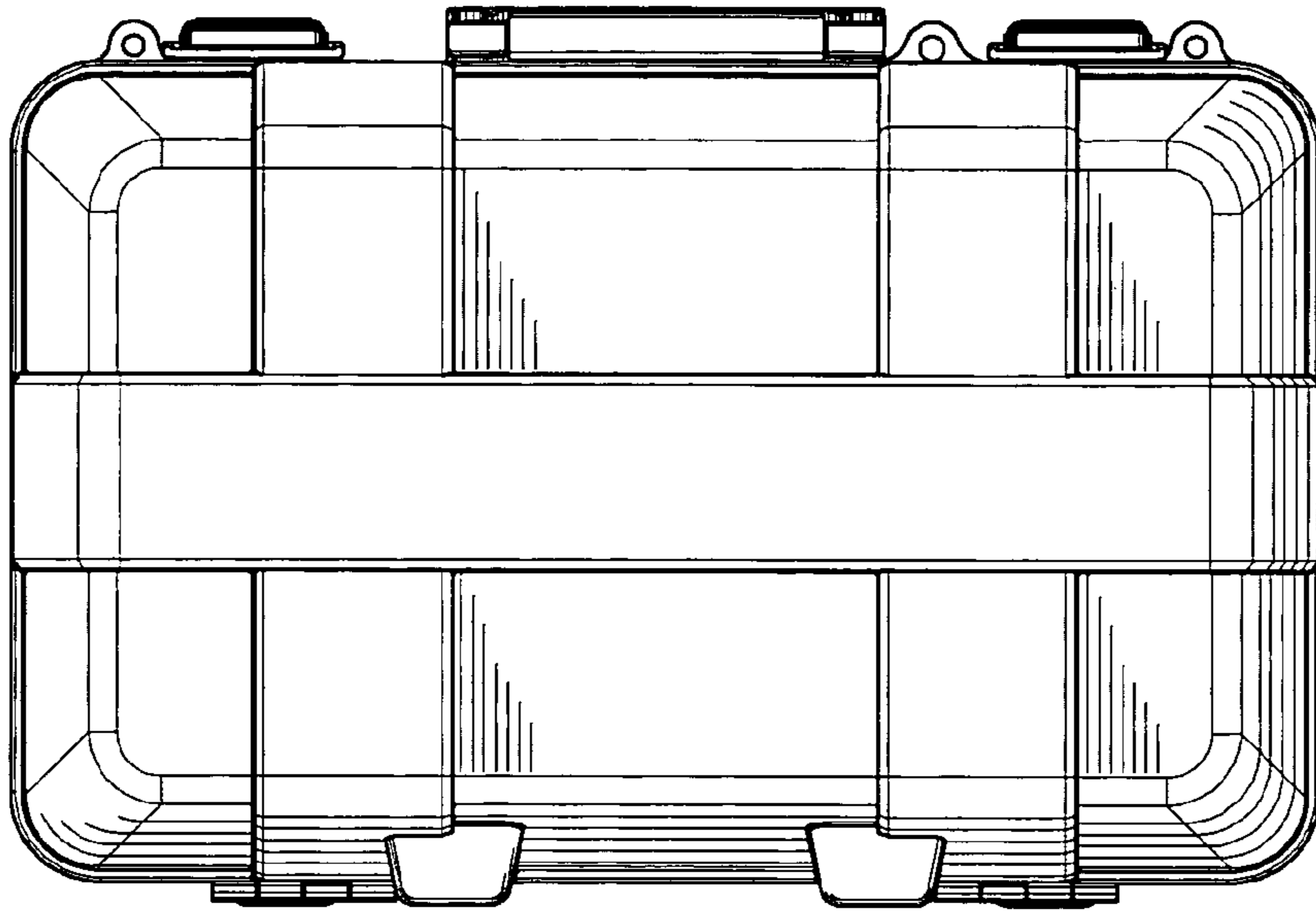


FIG. 2

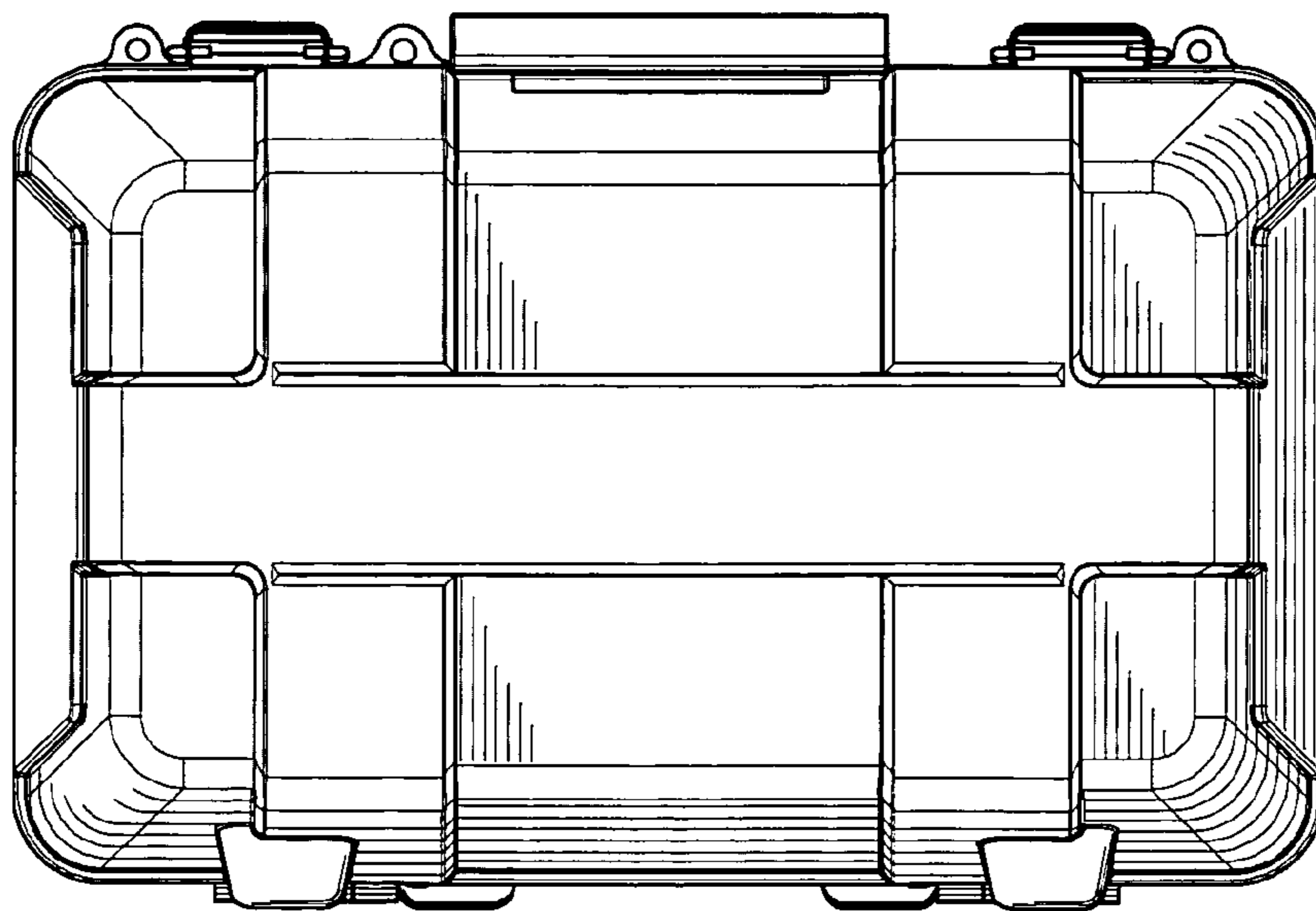


FIG. 3

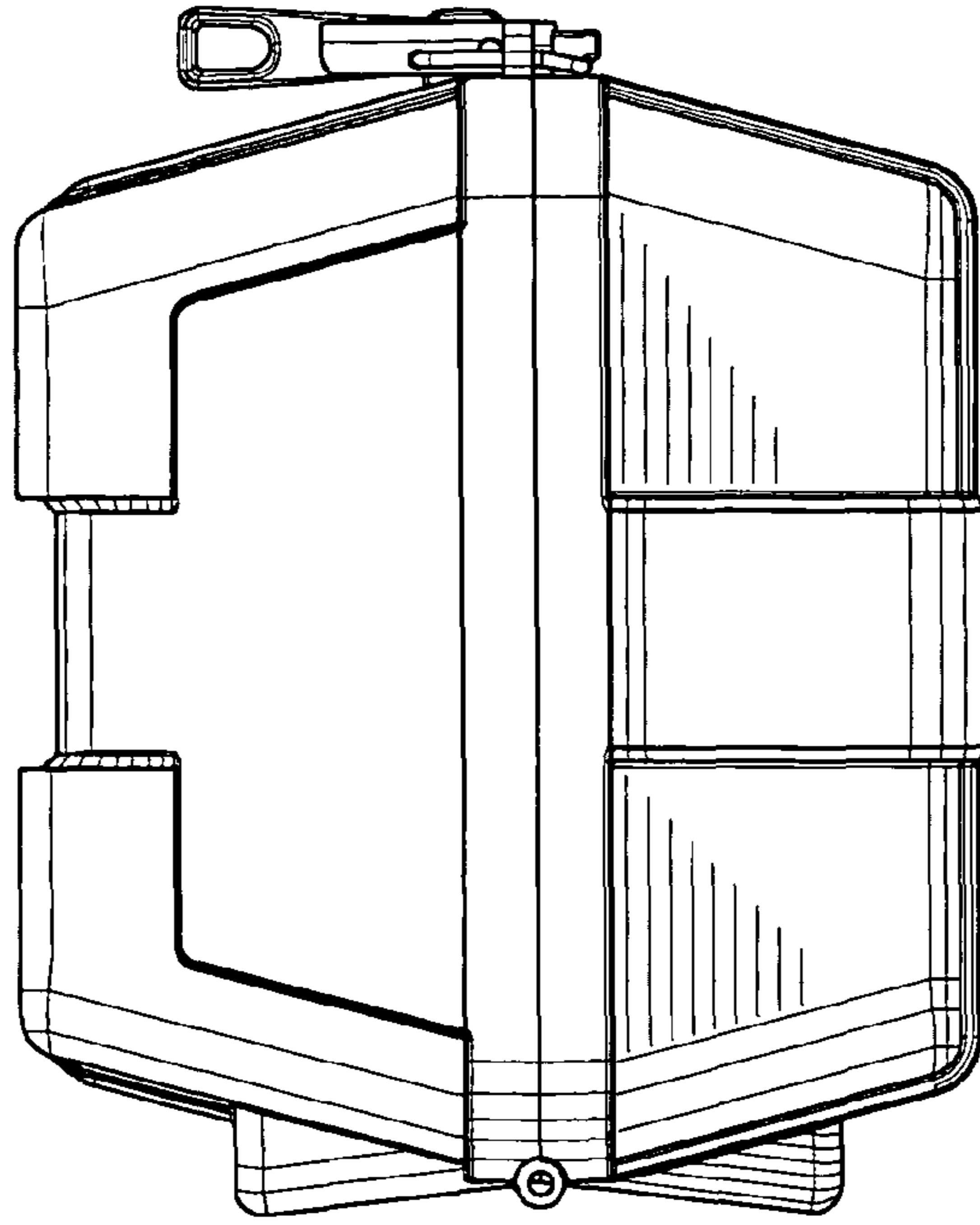


FIG. 4

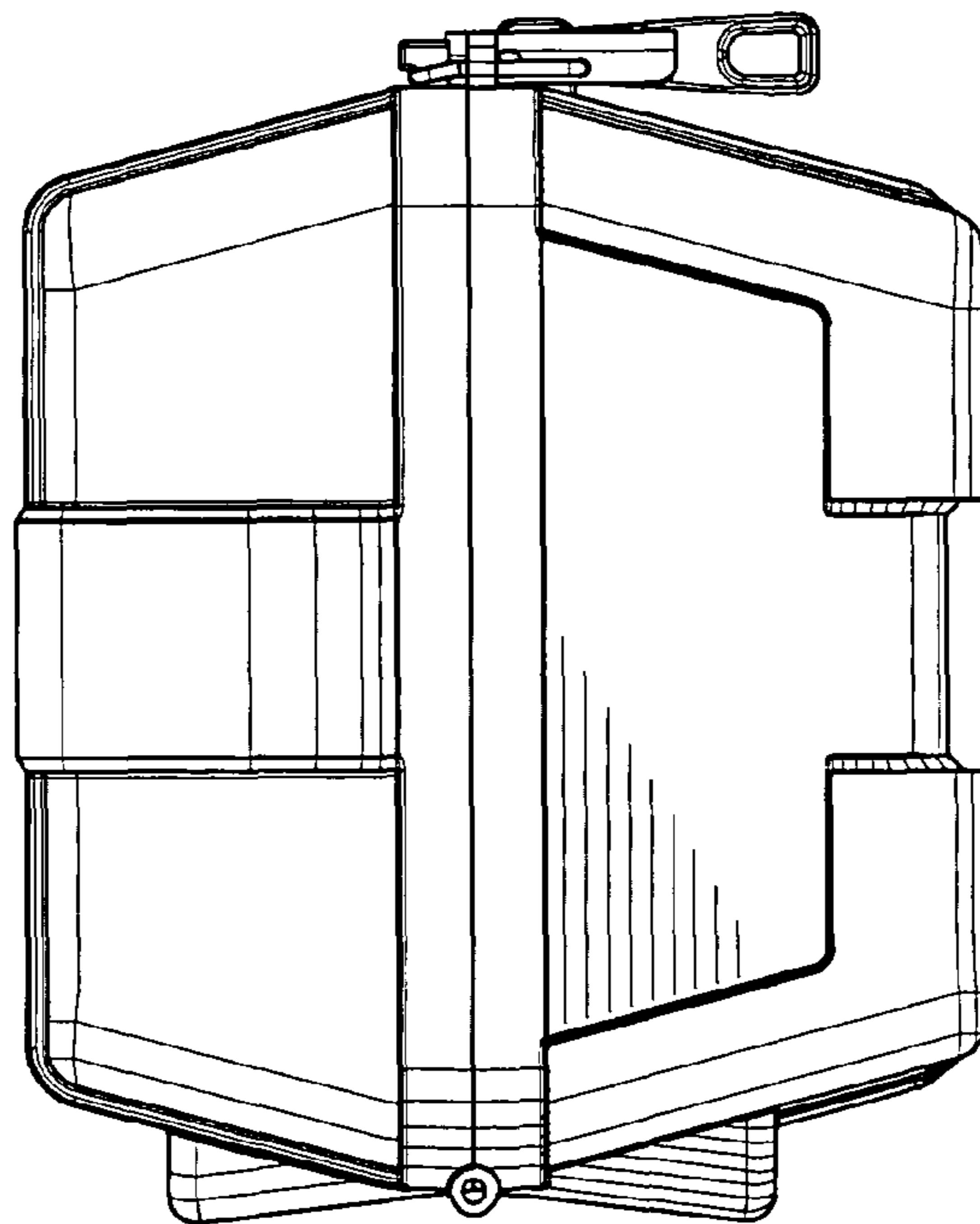


FIG. 5

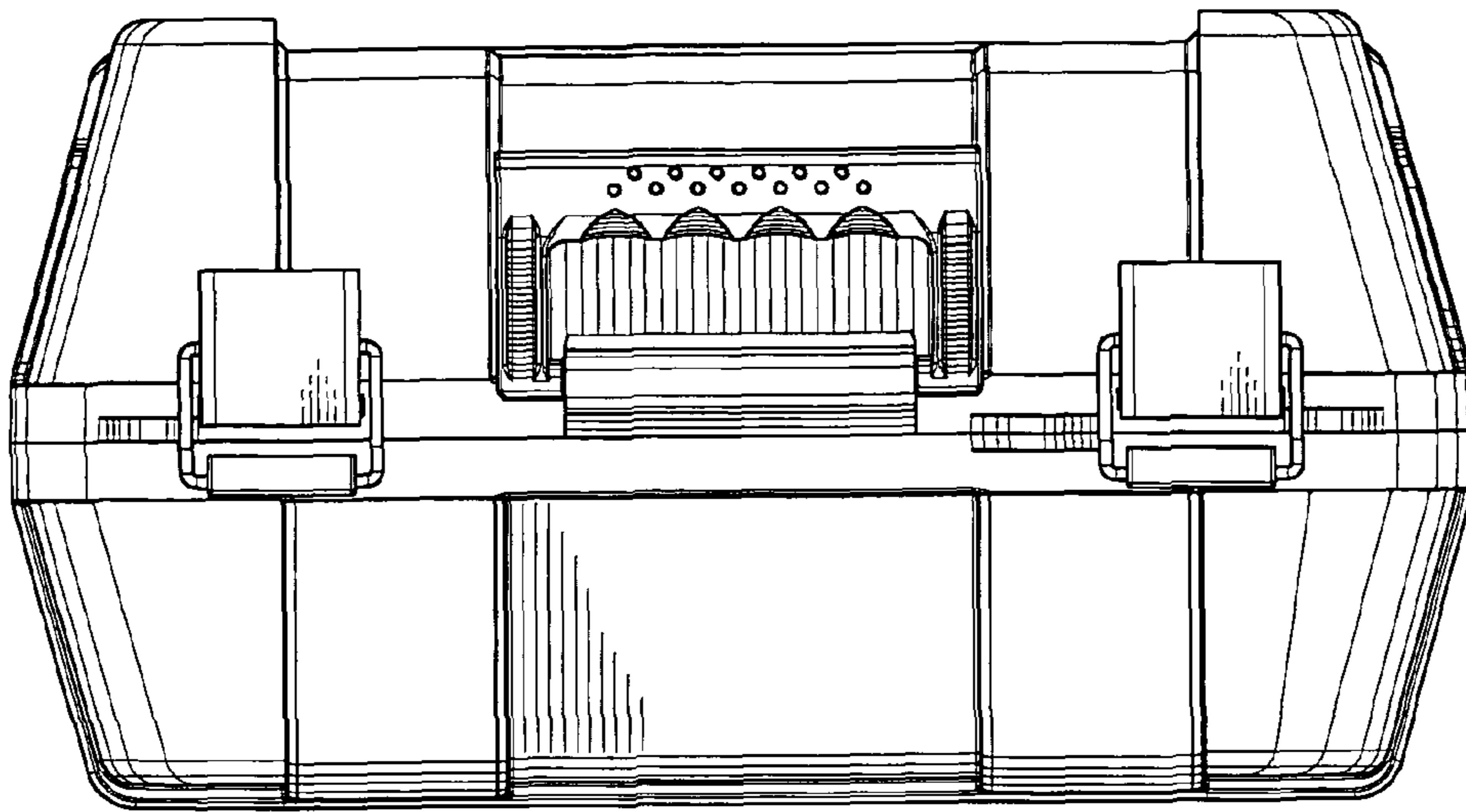


FIG. 6

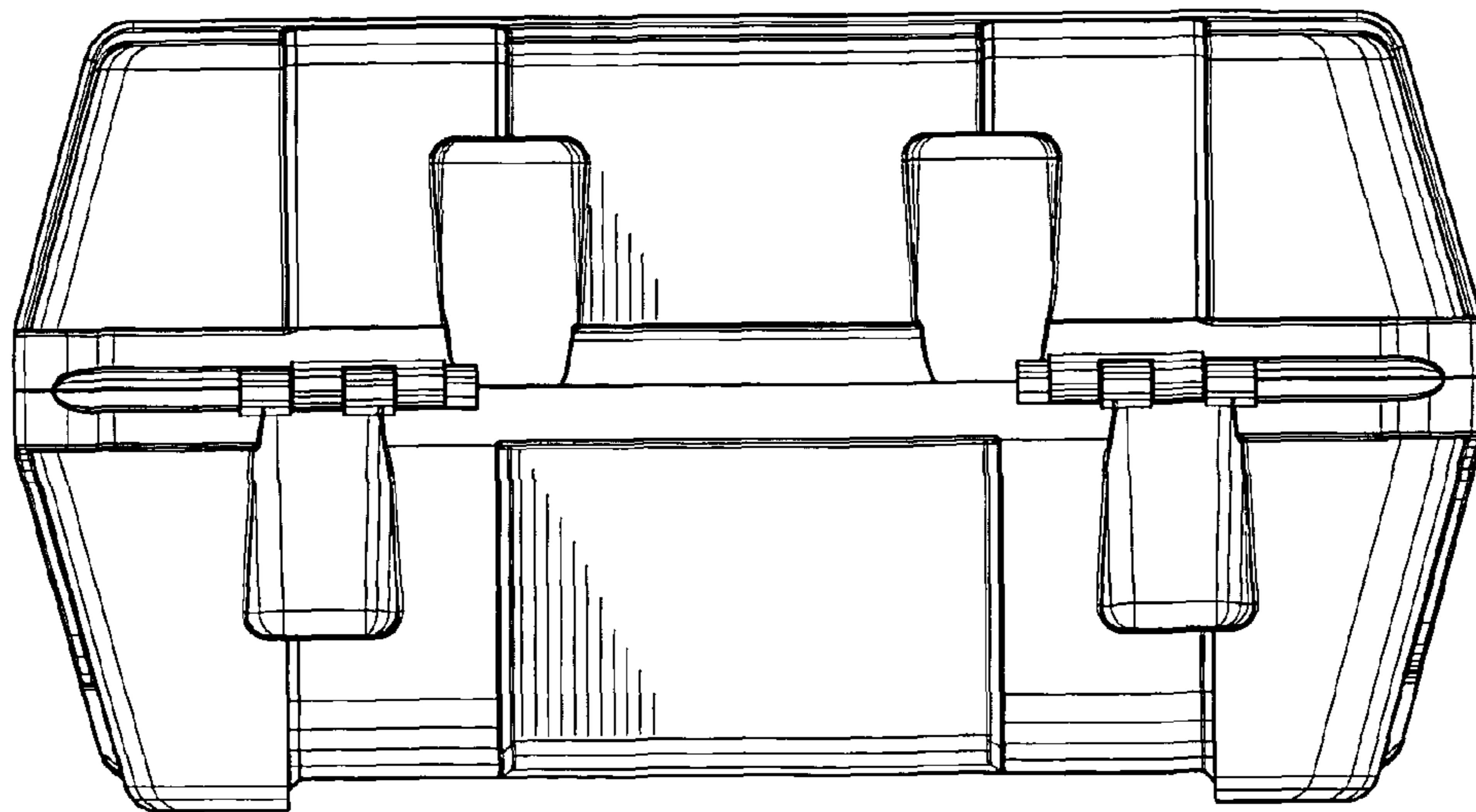


FIG. 7