



US00D637811S

(12) **United States Design Patent**  
**Hong**

(10) **Patent No.:** **US D637,811 S**

(45) **Date of Patent:** **\*\* May 17, 2011**

(54) **SUITCASE WITH EASY ACCESS OPENING**

(76) Inventor: **Jongchul Hong**, Atlanta, GA (US)

(\*\*) Term: **14 Years**

(21) Appl. No.: **29/316,671**

(22) Filed: **Oct. 20, 2009**

(51) **LOC (9) Cl.** ..... **03-01**

(52) **U.S. Cl.** ..... **D3/279; D3/272**

(58) **Field of Classification Search** ..... D3/279,  
D3/274, 281, 289, 263, 287, 275, 301; 190/110,  
190/112, 109, 113, 11, 115; 383/109, 110  
See application file for complete search history.

(56) **References Cited**

U.S. PATENT DOCUMENTS

4,861,305	A *	8/1989	Wilson	.....	446/75
D354,166	S *	1/1995	Lin	.....	D3/276
D354,396	S *	1/1995	Lowenstein	.....	D3/276
D375,835	S *	11/1996	Christopher et al.	.....	D3/289
5,649,503	A *	7/1997	Woolfolk	.....	119/700
5,671,831	A *	9/1997	Chiu	.....	190/103
6,062,356	A *	5/2000	Nykoluk	.....	190/18 R
6,076,641	A *	6/2000	Kinzer et al.	.....	190/18 A
D457,314	S *	5/2002	Stephens et al.	.....	D3/289

\* cited by examiner

*Primary Examiner* — Prabhakar Deshmukh

(74) *Attorney, Agent, or Firm* — Harry I. Leon; Vivian L. Steadman

(57) **CLAIM**

The ornamental design for the suitcase with easy access opening, as shown and described.

**DESCRIPTION**

FIG. 1 is a top left perspective view of a suitcase with easy access opening showing my new design, with the lid shown in an open position;

FIG. 2 is a front elevational view thereof, with the lid closed;

FIG. 3 is a rear elevational view thereof, with the lid closed;

FIG. 4 is a right side elevational view thereof, with the lid shown in an open position;

FIG. 5 is a left side elevational view thereof, with the lid closed;

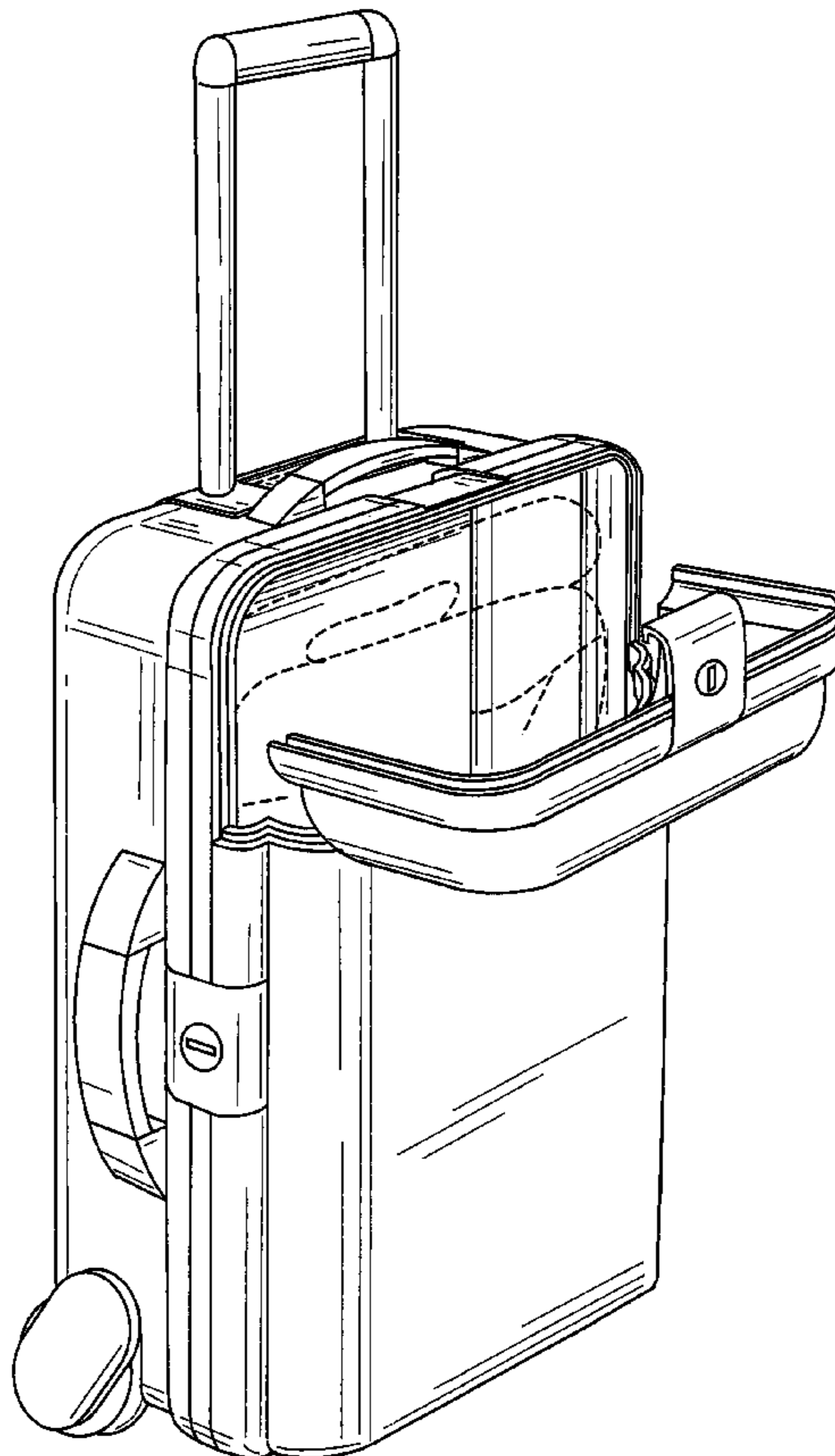
FIG. 6 is a top plan view thereof, with the lid shown in an open position;

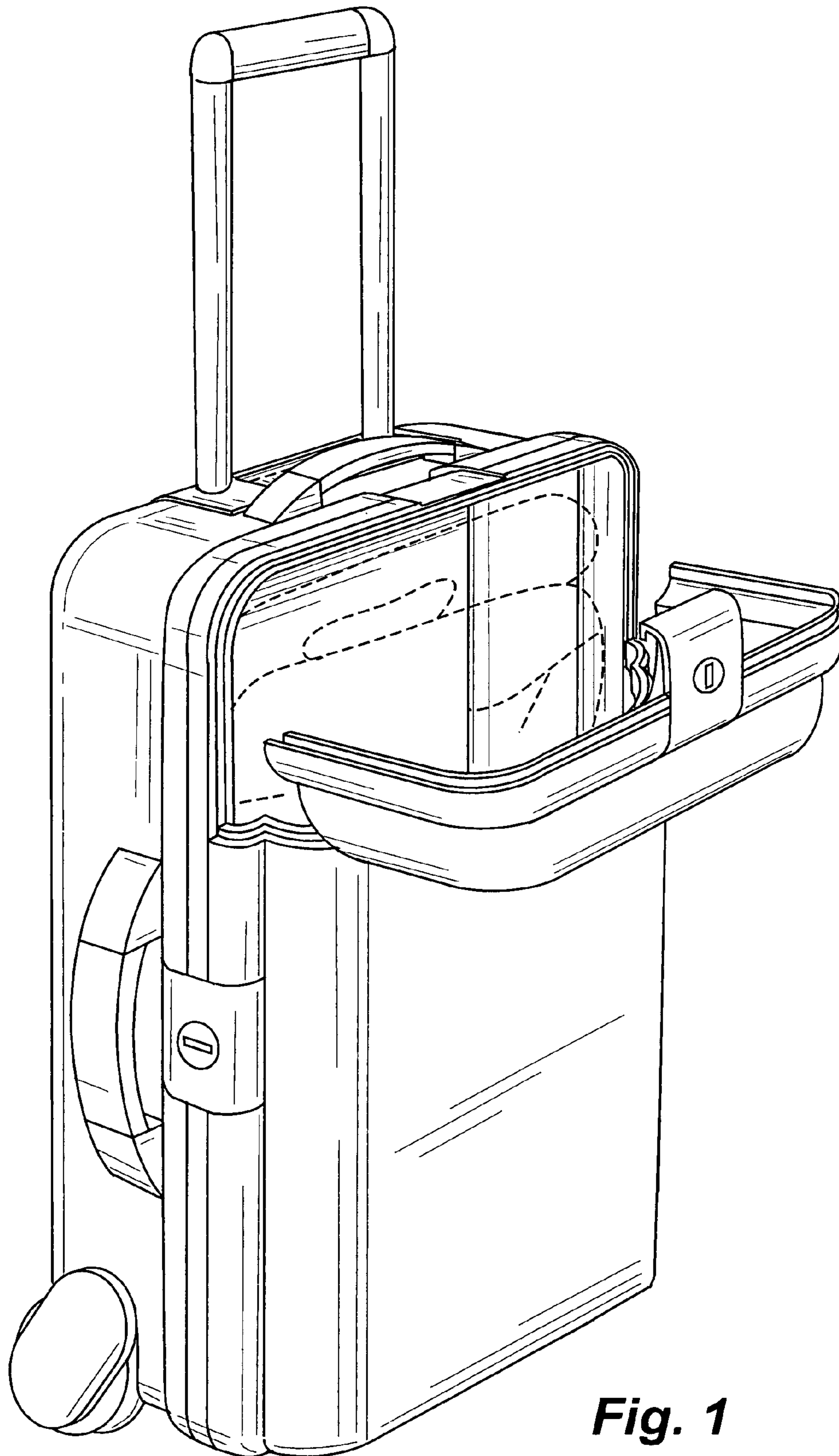
FIG. 7 is a top plan view thereof, with the lid closed; and,

FIG. 8 is a bottom plan view thereof, with the lid closed.

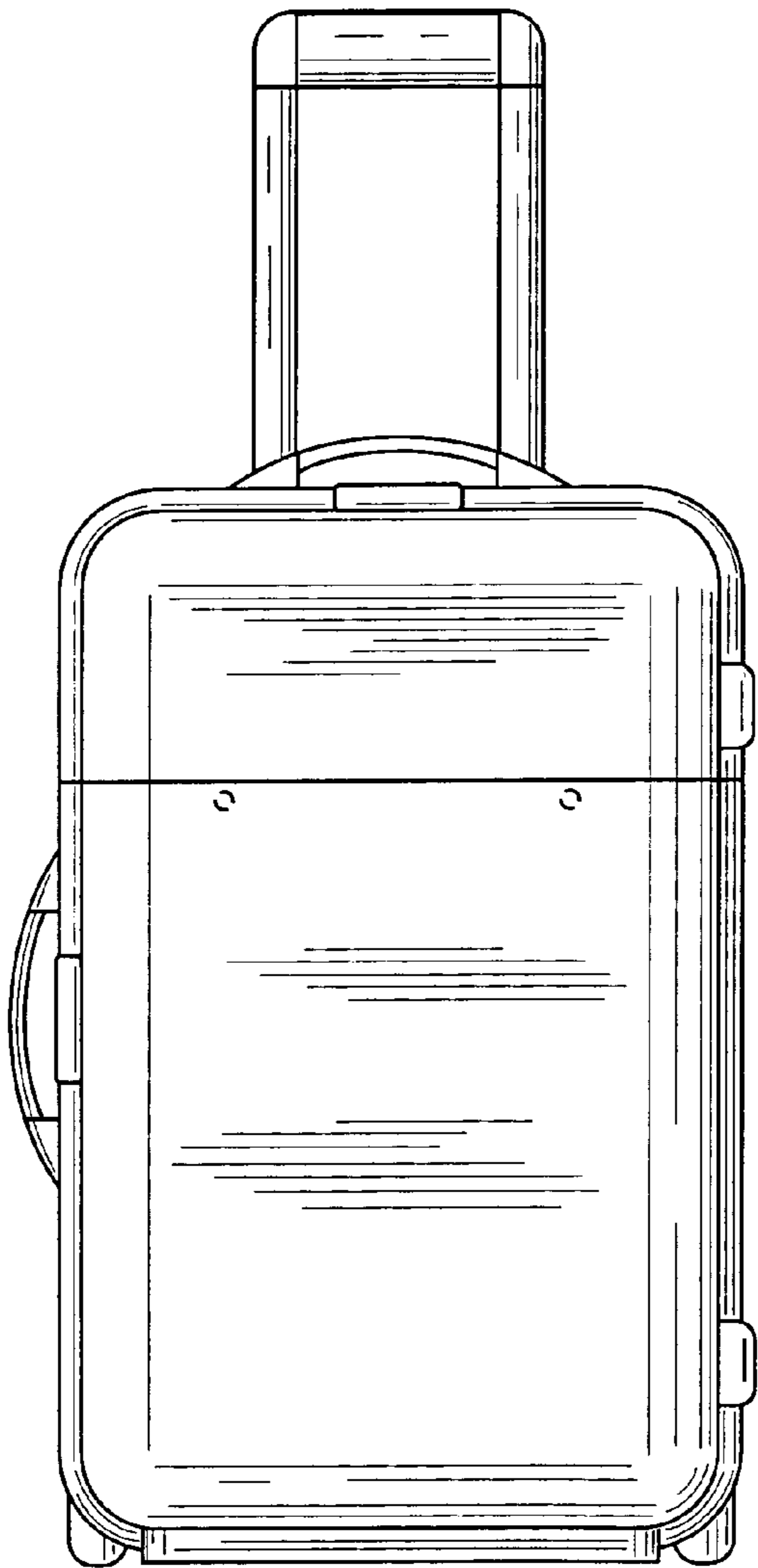
Portions of the suitcase shown in broken lines form no part of the claimed design. Likewise, the broken lines environment showing of clothing is for illustrative purposes only and does not form part of the claimed design.

**1 Claim, 4 Drawing Sheets**





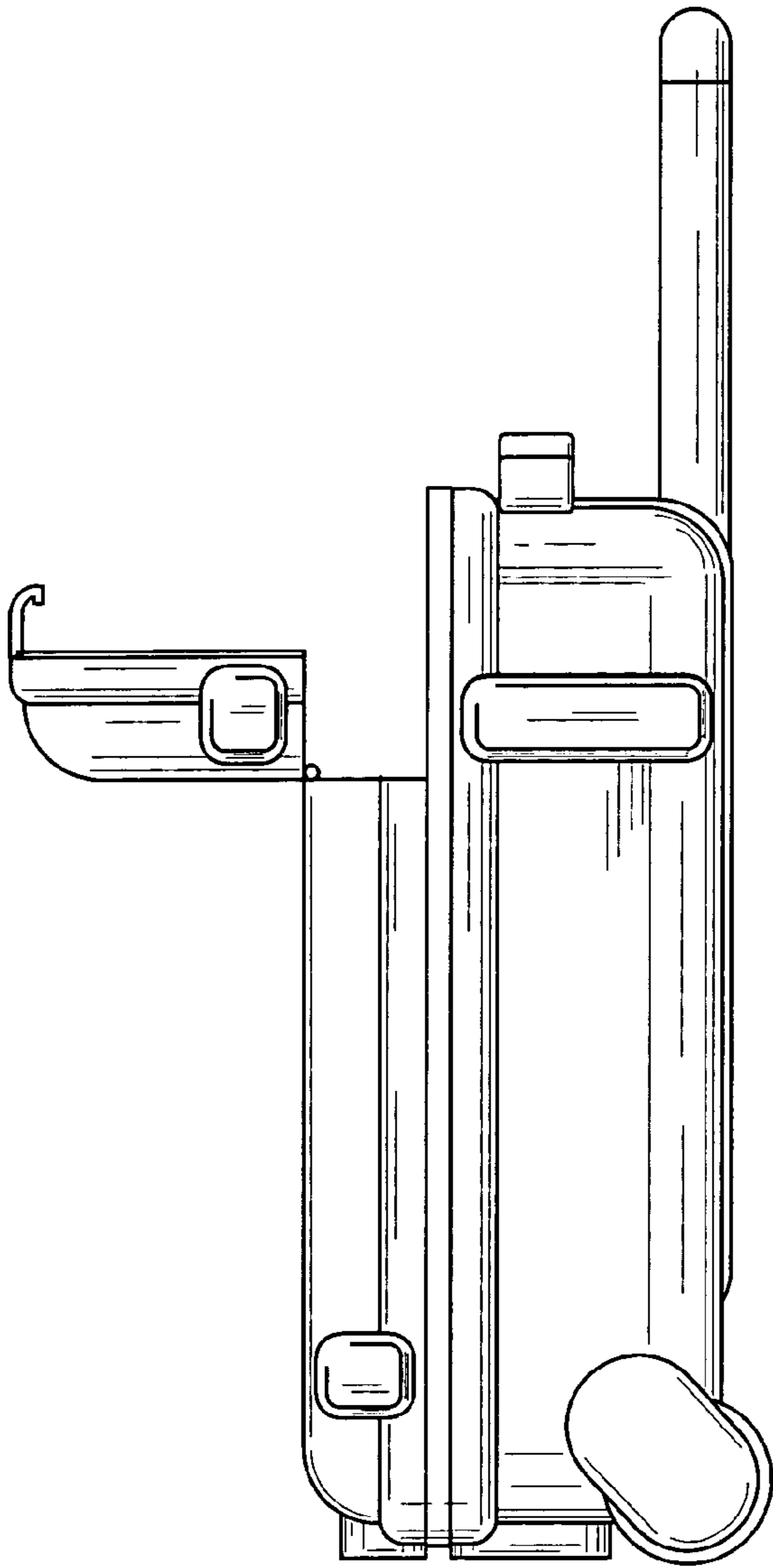
**Fig. 1**



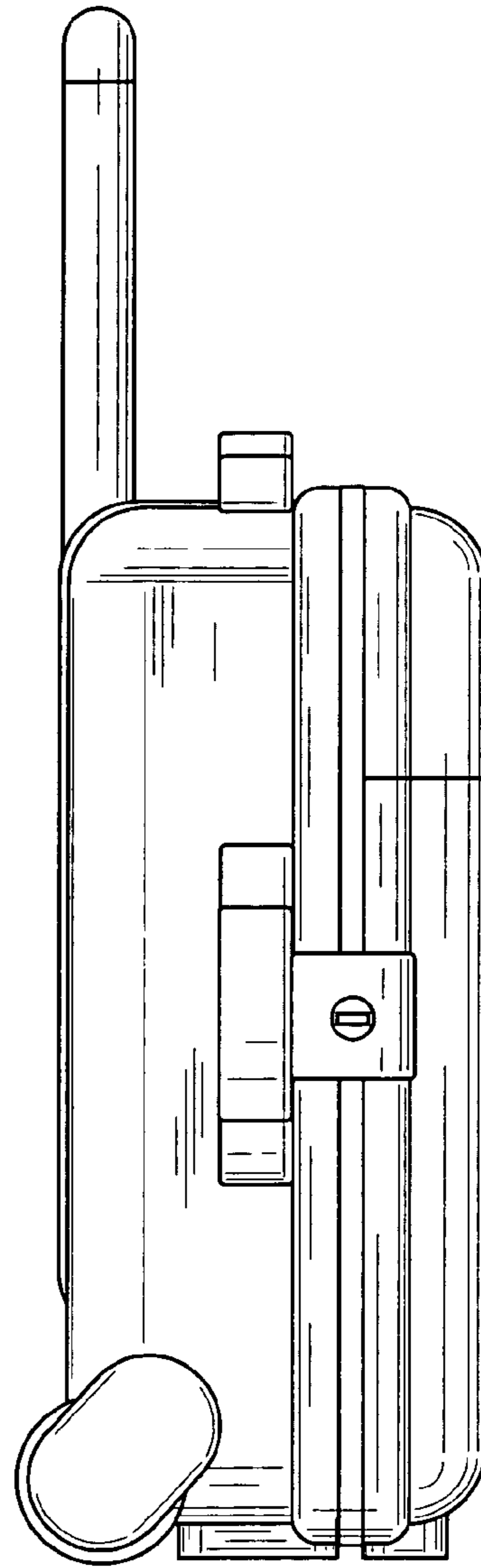
**Fig. 2**



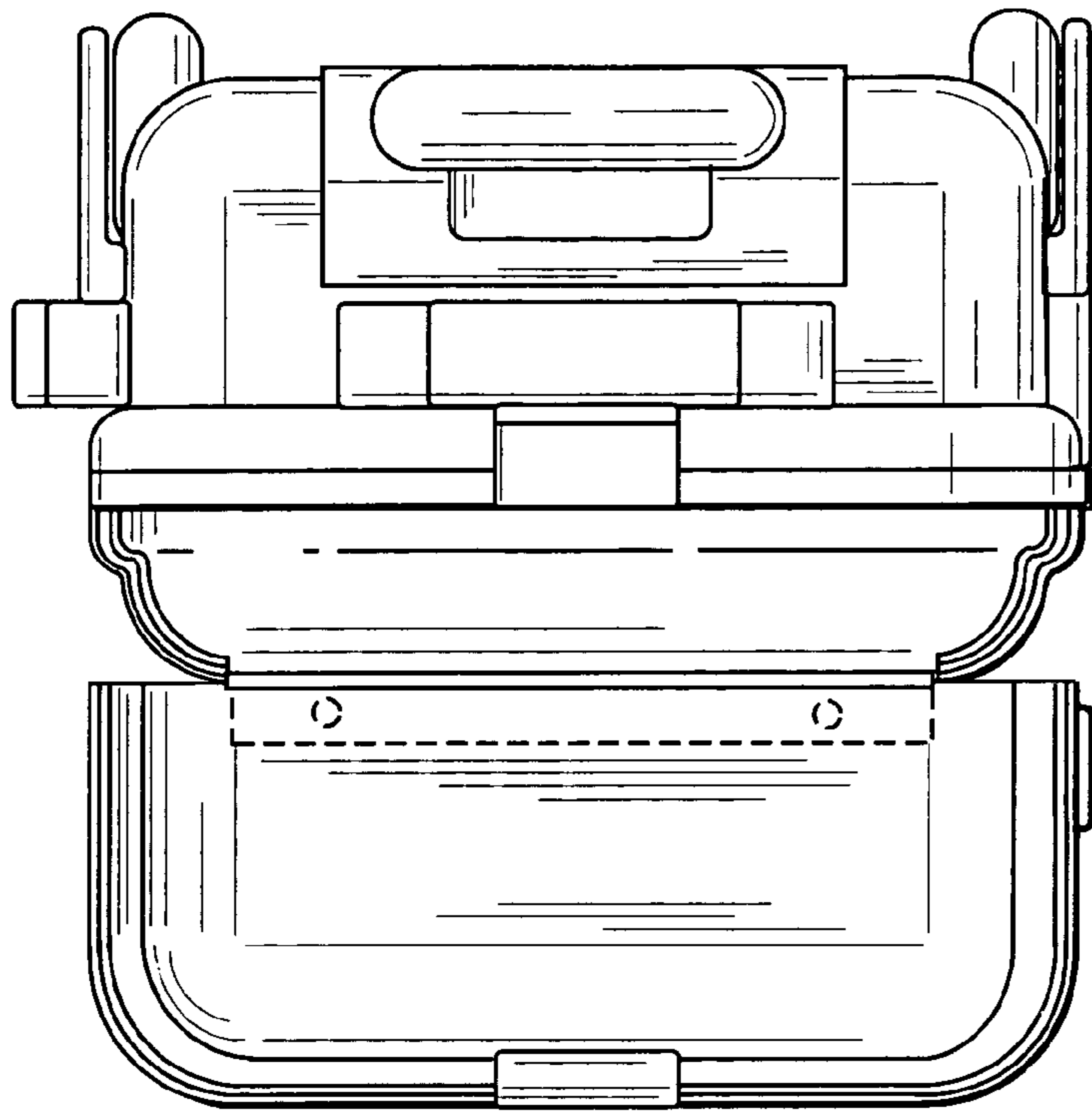
**Fig. 3**



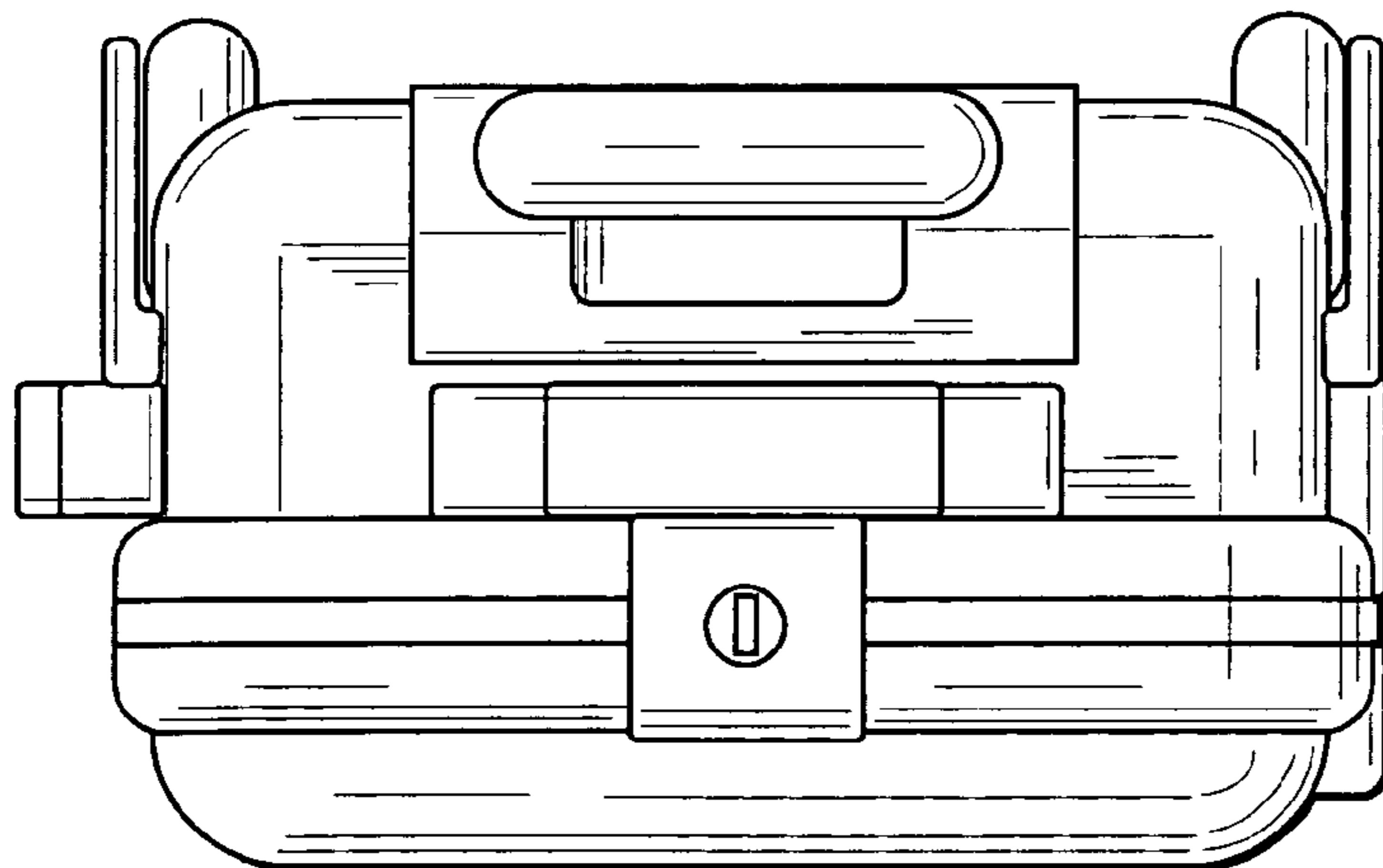
**Fig. 4**



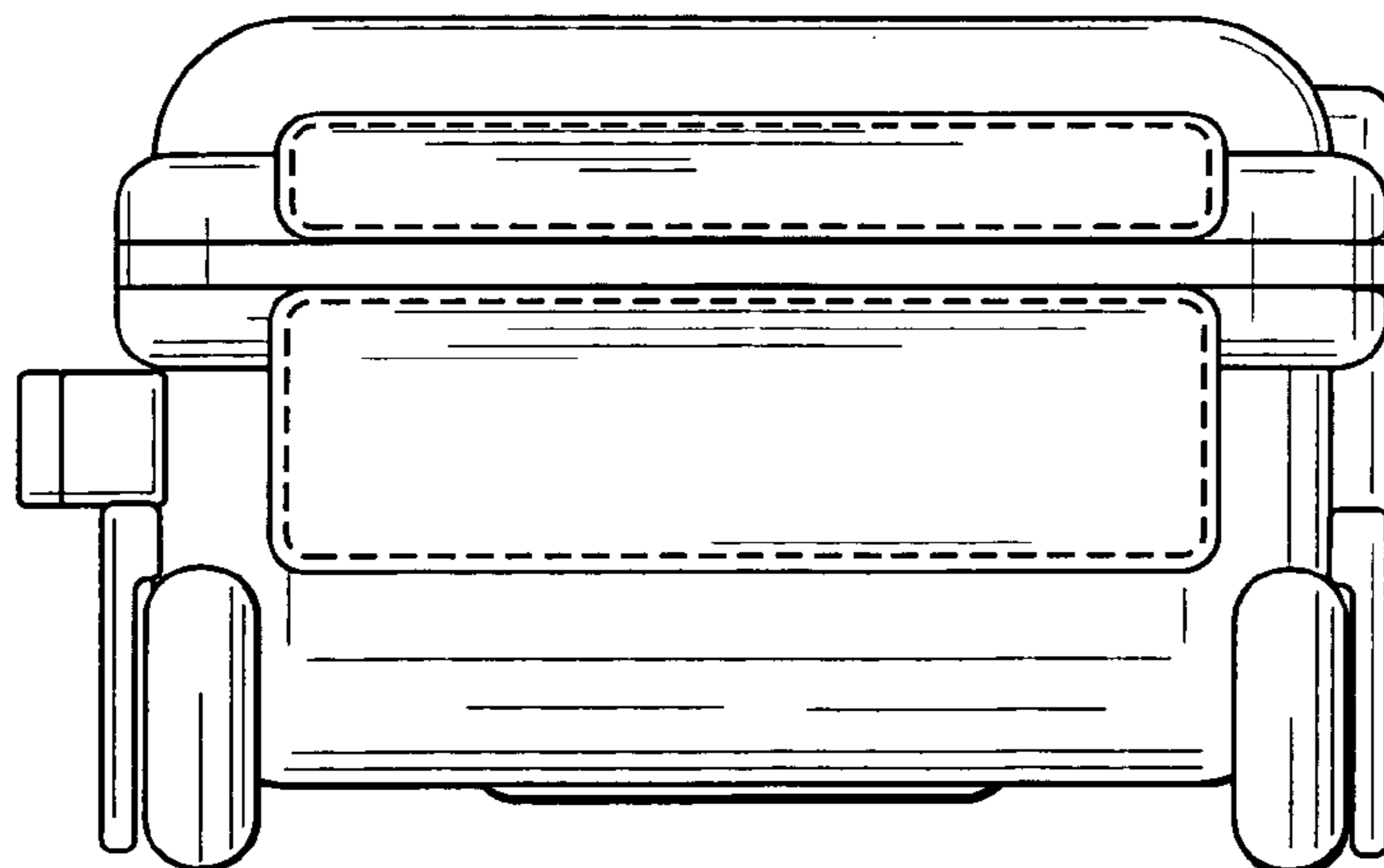
**Fig. 5**



**Fig. 6**



**Fig. 7**



**Fig. 8**