



US00D637809S

(12) **United States Design Patent**  
**Meldeau**

(10) **Patent No.:** **US D637,809 S**

(45) **Date of Patent:** **\*\* May 17, 2011**

(54) **TOTE BAG**

(76) **Inventor:** **William B. Meldeau**, Jensen Beach, FL  
(US)

(\*\*) **Term:** **14 Years**

(21) **Appl. No.:** **29/365,060**

(22) **Filed:** **Jul. 2, 2010**

(51) **LOC (9) Cl.** ..... **03-01**

(52) **U.S. Cl.** ..... **D3/232**

(58) **Field of Classification Search** ..... D3/232-233,  
D3/240-246; 150/100, 103-110, 113-114,  
150/118-119

See application file for complete search history.

(56) **References Cited**

**U.S. PATENT DOCUMENTS**

D383,903 S *	9/1997	Kopel	.....	D3/233
D491,352 S *	6/2004	Peng	.....	D3/233
D493,615 S *	8/2004	Peng	.....	D3/246
D506,060 S *	6/2005	Achilles	.....	D3/233

D510,661 S *	10/2005	Suppancig	.....	D3/246
D525,785 S *	8/2006	Suppancig	.....	D3/246
D526,120 S *	8/2006	Lee et al.	.....	D3/233
D630,013 S *	1/2011	Yu	.....	D3/232

\* cited by examiner

*Primary Examiner* — Holly Baynham

(74) *Attorney, Agent, or Firm* — Welsh Flaxman & Gitler  
LLC

(57) **CLAIM**

The ornamental design for a tote bag, as shown and described.

**DESCRIPTION**

FIG. 1 is a front perspective view of the present tote bag design.

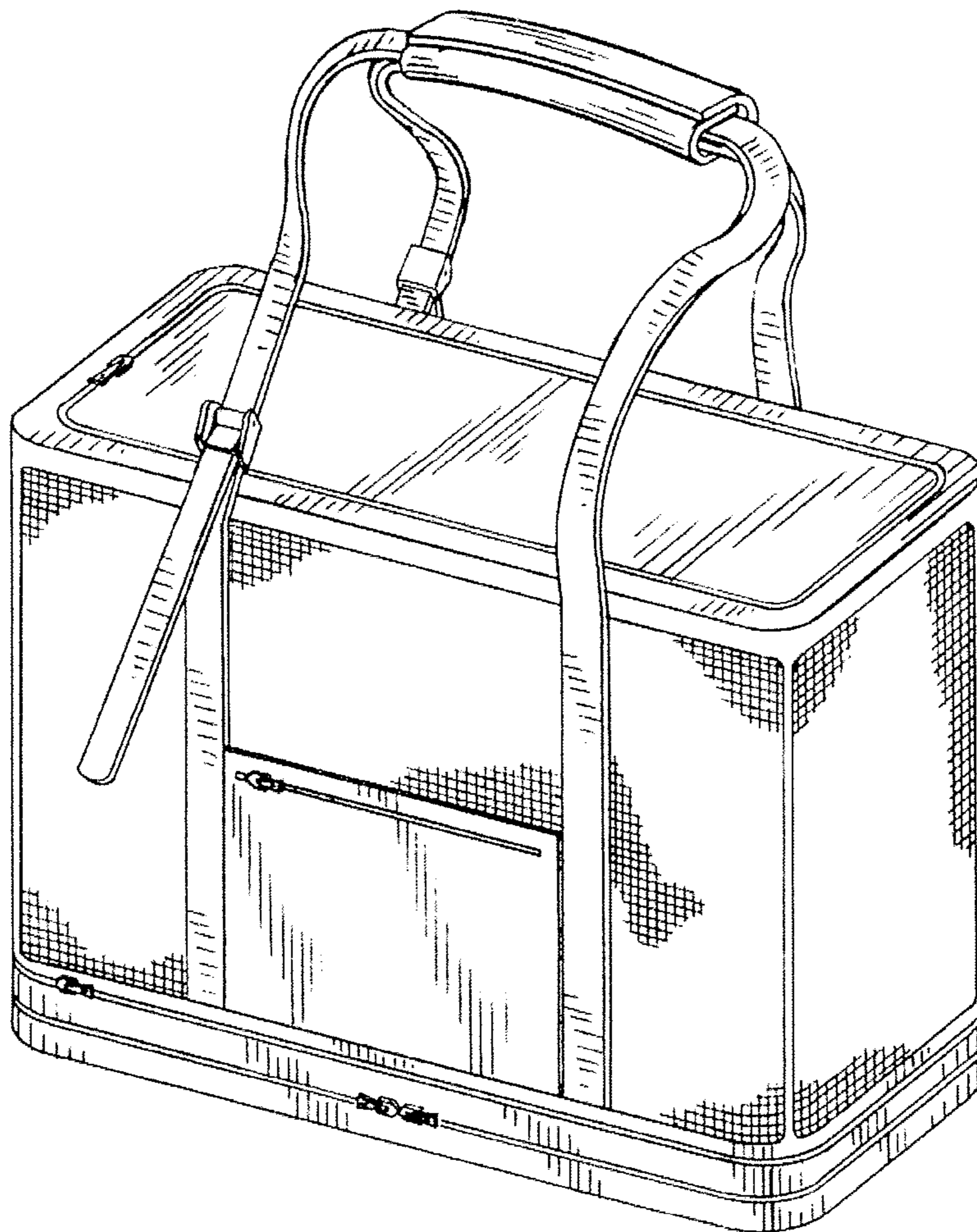
FIG. 2 is a top view of the tote bag.

FIG. 3 is a rear view of the tote bag.

FIG. 4 is a bottom view of the tote bag; and,

FIG. 5 is an end view of the tote bag, with the opposite end being a mirror image thereof.

**1 Claim, 3 Drawing Sheets**



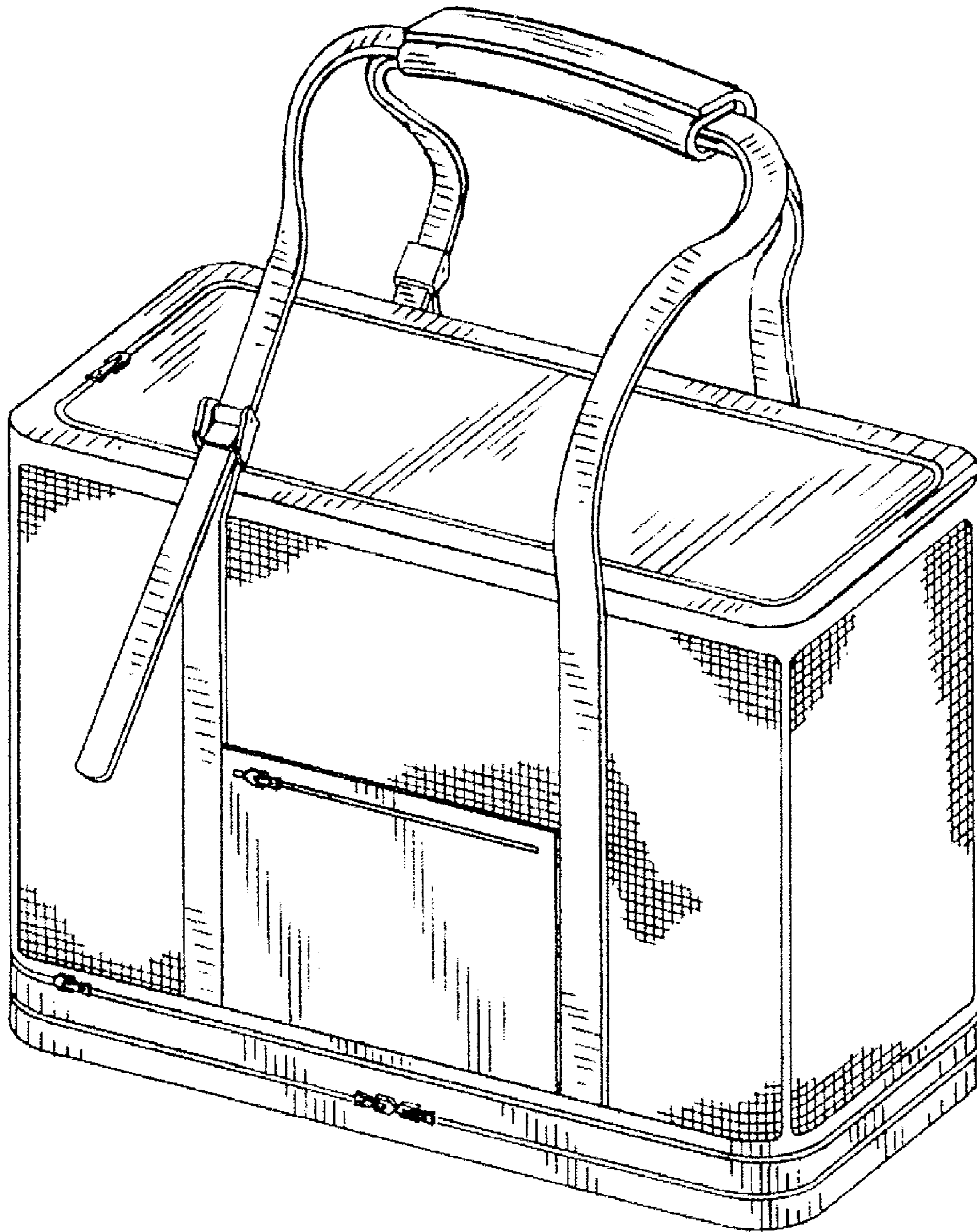


Fig. 1

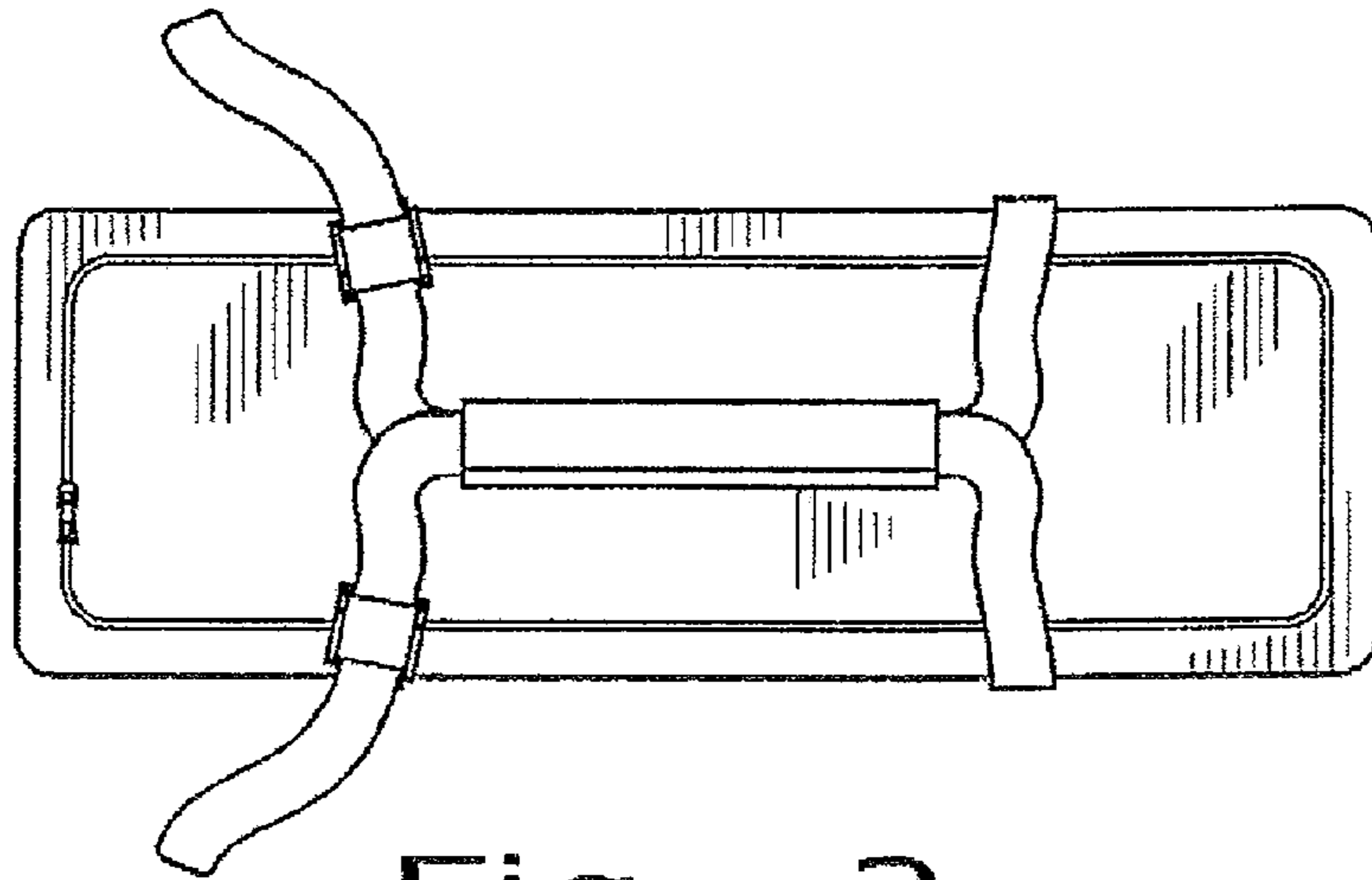


Fig. 2

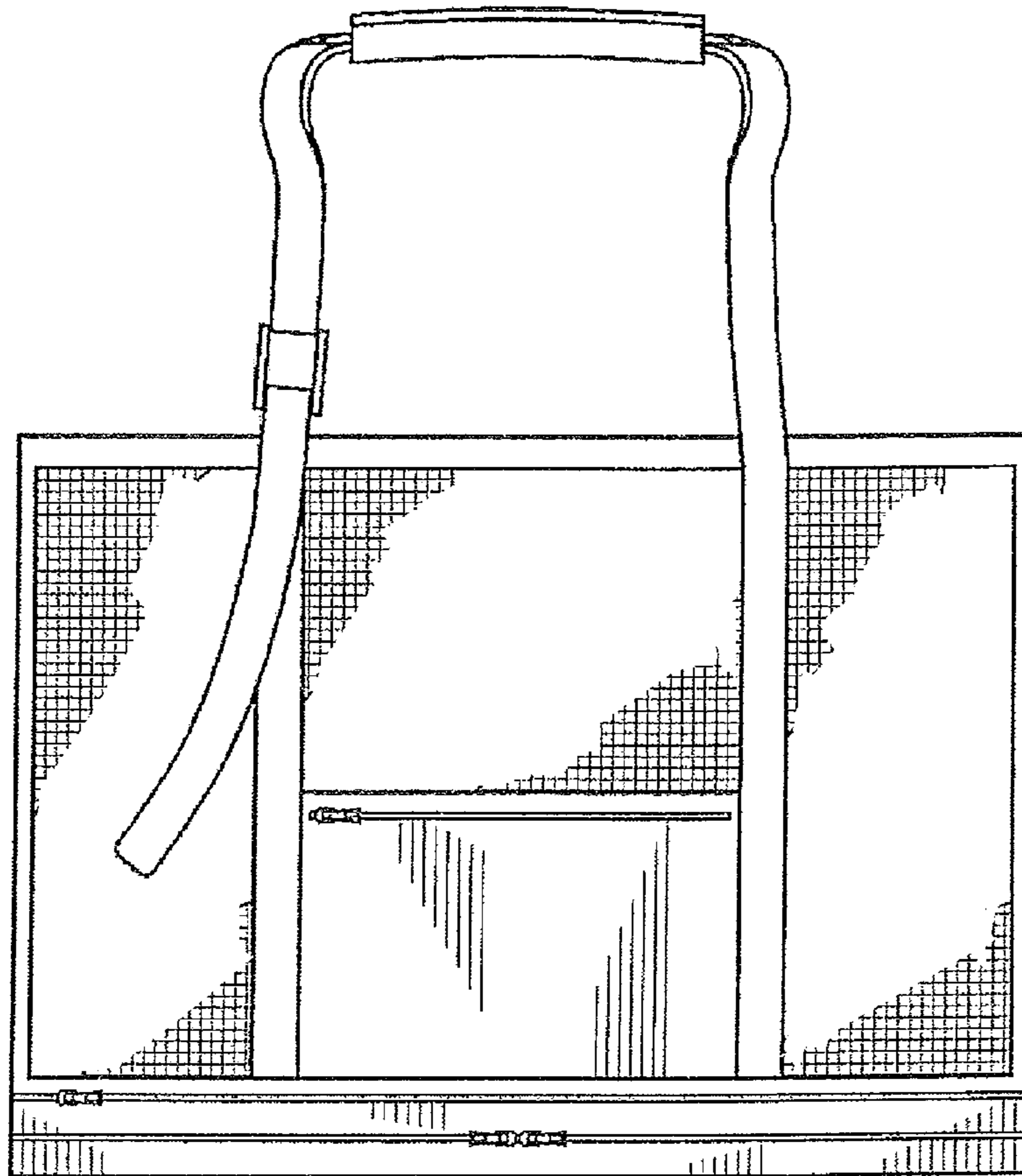


Fig. 3



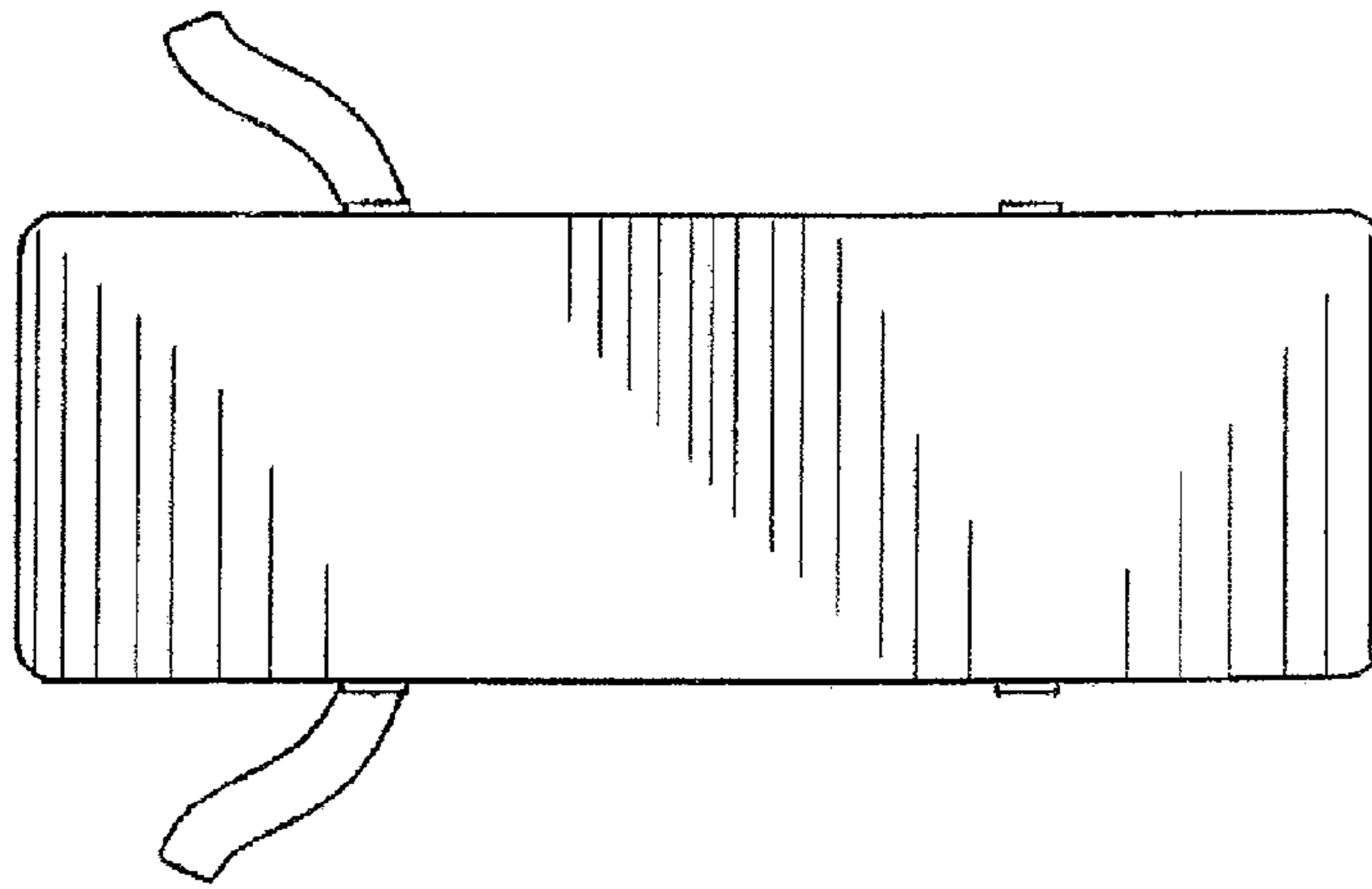


Fig. 4

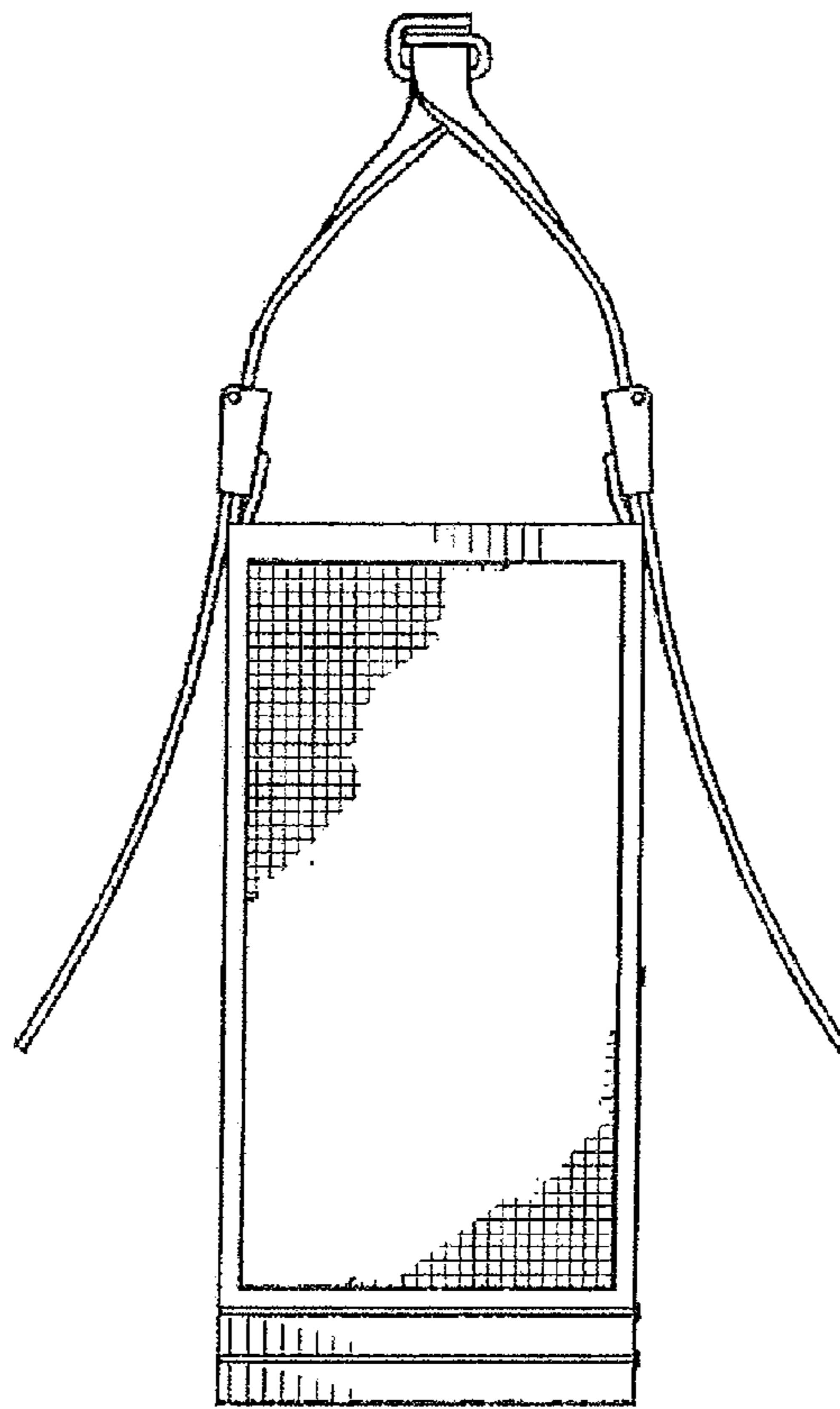


Fig. 5