



US00D637796S

(12) **United States Design Patent**
Callahan et al.

(10) **Patent No.:** **US D637,796 S**
(45) **Date of Patent:** **** May 17, 2011**

(54) **HAT, SCARF AND MITTENS ENSEMBLE**

(76) Inventors: **Maria Callahan**, Chicago, IL (US);
Michael Callahan, Chicago, IL (US)

(**) Term: **14 Years**

(21) Appl. No.: **29/366,708**

(22) Filed: **Jul. 29, 2010**

(51) **LOC (9) Cl.** **02-03**

(52) **U.S. Cl.** **D2/866; D2/501**

(58) **Field of Classification Search** D2/500,
D2/501, 502, 622, 865, 866, 878, 880, 881,
D2/882, 891, 893; D29/102, 103, 104, 105,
D29/106, 108, 109; 2/91, 158, 171, 172,
2/175.1, 195.1, 195.8, 203, 204, 205, 207,
2/208, 209.12, 209.13; 224/577

See application file for complete search history.

(56) **References Cited**

U.S. PATENT DOCUMENTS

33,984	A *	12/1861	Cohen	2/208
1,175,167	A *	3/1916	Moscherrosch	2/195.1
1,399,523	A *	12/1921	Sable	2/203
1,879,353	A *	9/1932	Levi	2/6.2
D142,469	S *	10/1945	Brodigan	D2/500
2,417,986	A *	3/1947	Phillips et al.	2/195.1
D152,265	S *	1/1949	Hatleli	D2/882
D152,995	S *	3/1949	McKie	D2/879
D180,239	S *	5/1957	McMurry	D29/105
2,870,448	A *	1/1959	Rosenthal	2/91
3,007,174	A *	11/1961	Ostwald	2/195.1
D244,567	S *	6/1977	Bocskay	D2/882
D289,223	S *	4/1987	Sumpter et al.	D2/879
D399,338	S *	10/1998	Lund	D2/879

6,185,749	B1	2/2001	Williams	
D449,422	S *	10/2001	Massie	D2/614
D452,768	S *	1/2002	Park	D2/882
6,389,606	B1 *	5/2002	Galet et al.	2/410
7,467,422	B2	12/2008	Bugarin	
7,467,423	B1 *	12/2008	Tawfik	2/207
D610,781	S *	3/2010	Cho	D2/879
2005/0039242	A1 *	2/2005	Edmondson	2/207
2008/0244806	A1 *	10/2008	Johnson	2/158
2009/0064392	A1 *	3/2009	Rachuba et al.	2/158
2009/0113591	A1 *	5/2009	Deutsch et al.	2/16
2009/0271910	A1 *	11/2009	Miranda	2/158
2010/0237121	A1 *	9/2010	Stein	224/577

FOREIGN PATENT DOCUMENTS

DE	202004010016	U1	10/2004
EP	1500339	A1	1/2005
GB	2405782	A	3/2005
WO	WO2009063236	A1	5/2009

* cited by examiner

Primary Examiner — Karen E Eldridge Powers

(57) **CLAIM**

The ornamental design for a hat, scarf and mittens ensemble, as shown and described.

DESCRIPTION

FIG. 1 is a perspective view of the hat, scarf and mittens ensemble showing our new design;
FIG. 2 is a top plan thereof;
FIG. 3 is a front elevational view thereof;
FIG. 4 is a right side elevational view thereof, the opposite side being a mirror image;
FIG. 5 is a rear elevational view thereof; and,
FIG. 6 is a bottom plan view thereof.

1 Claim, 3 Drawing Sheets

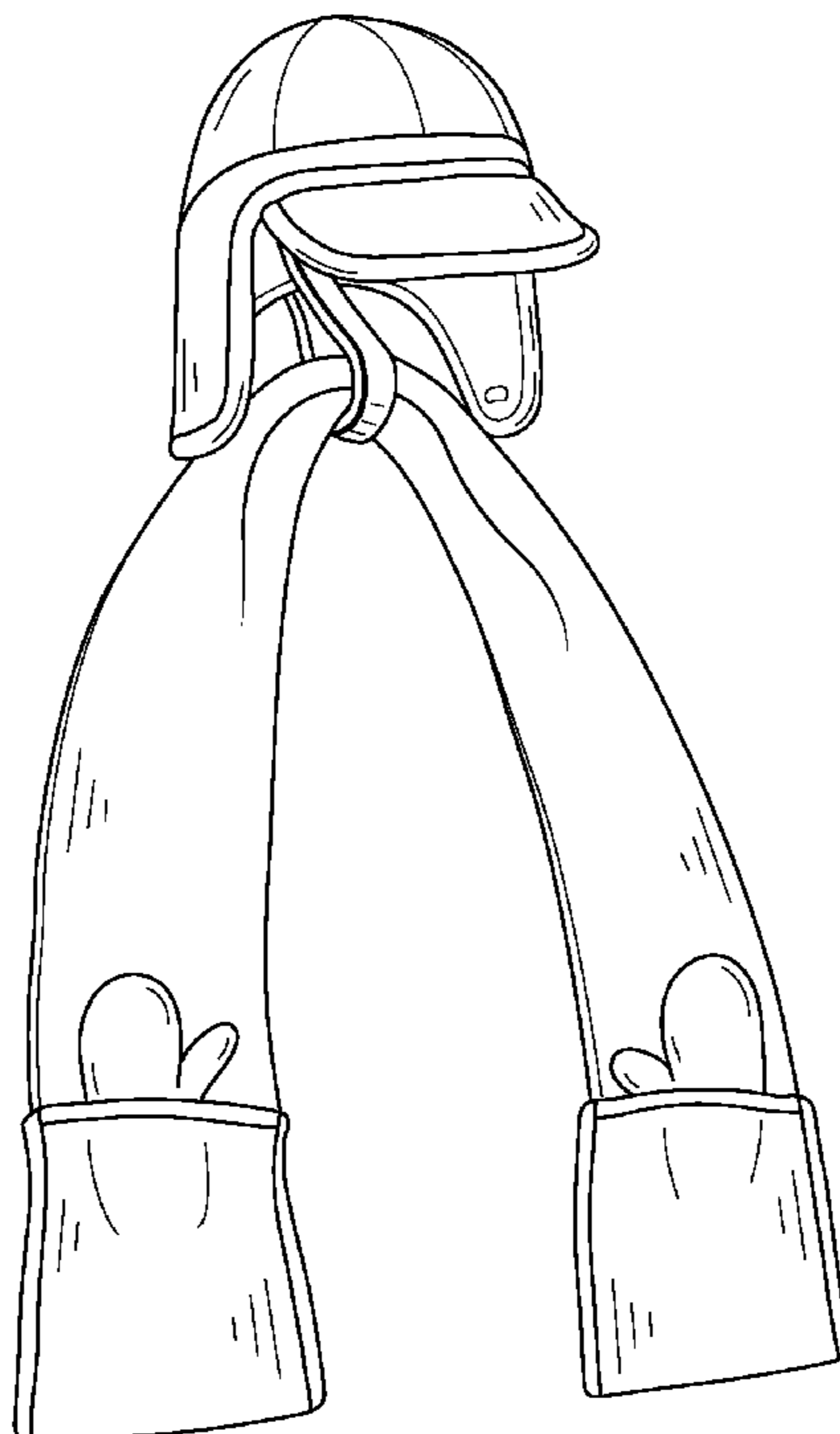


Fig. 1

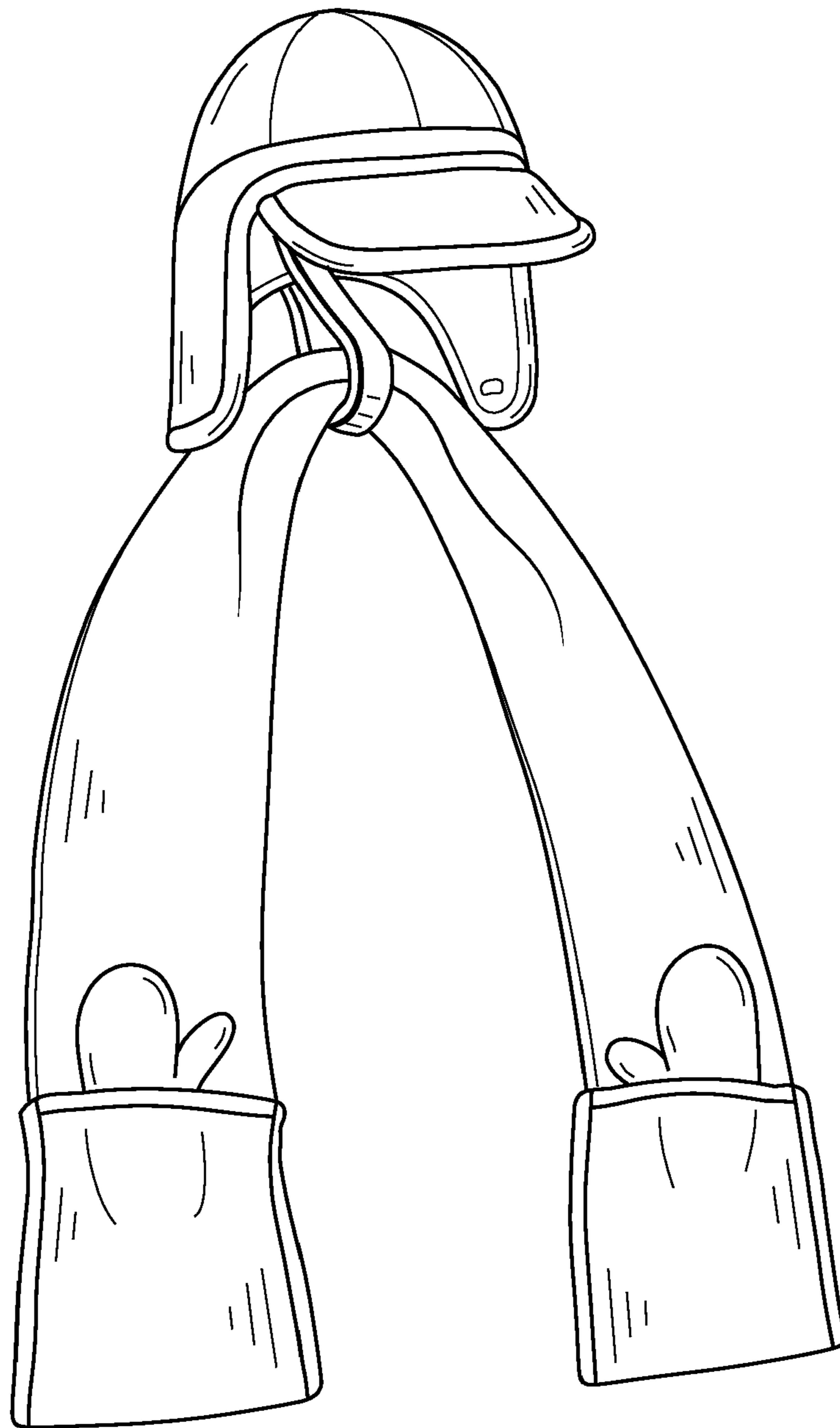


Fig. 2

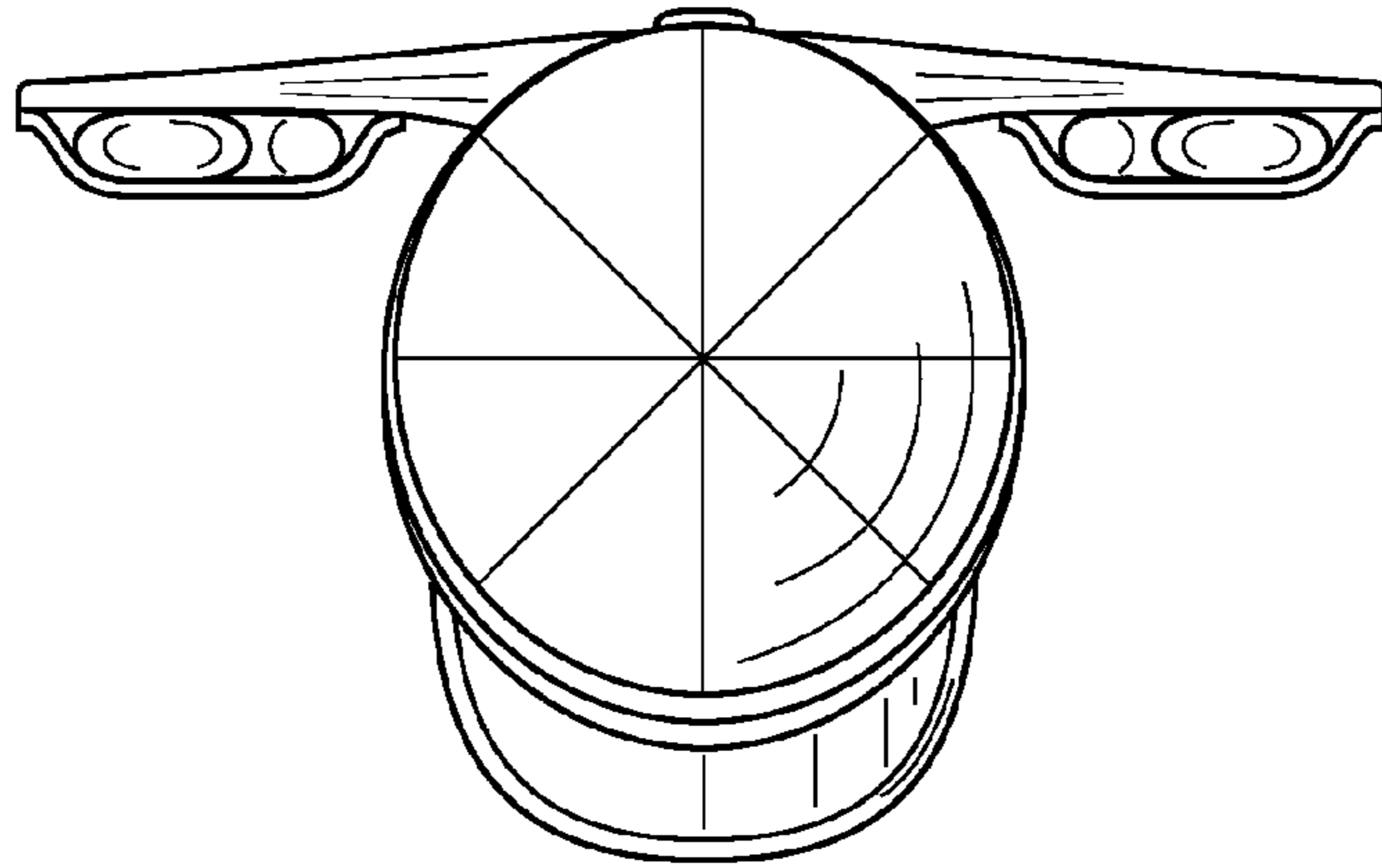


Fig. 3

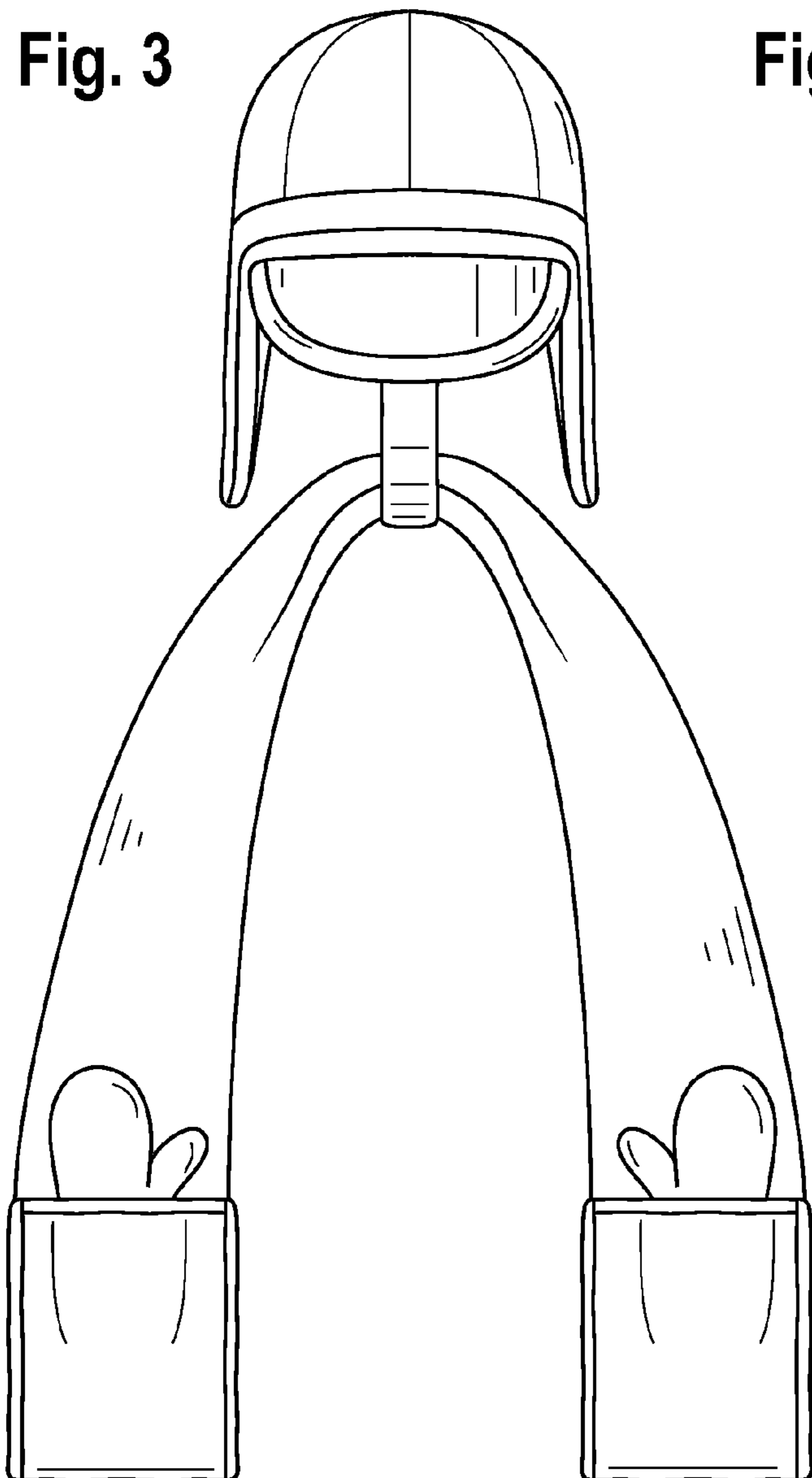


Fig. 4

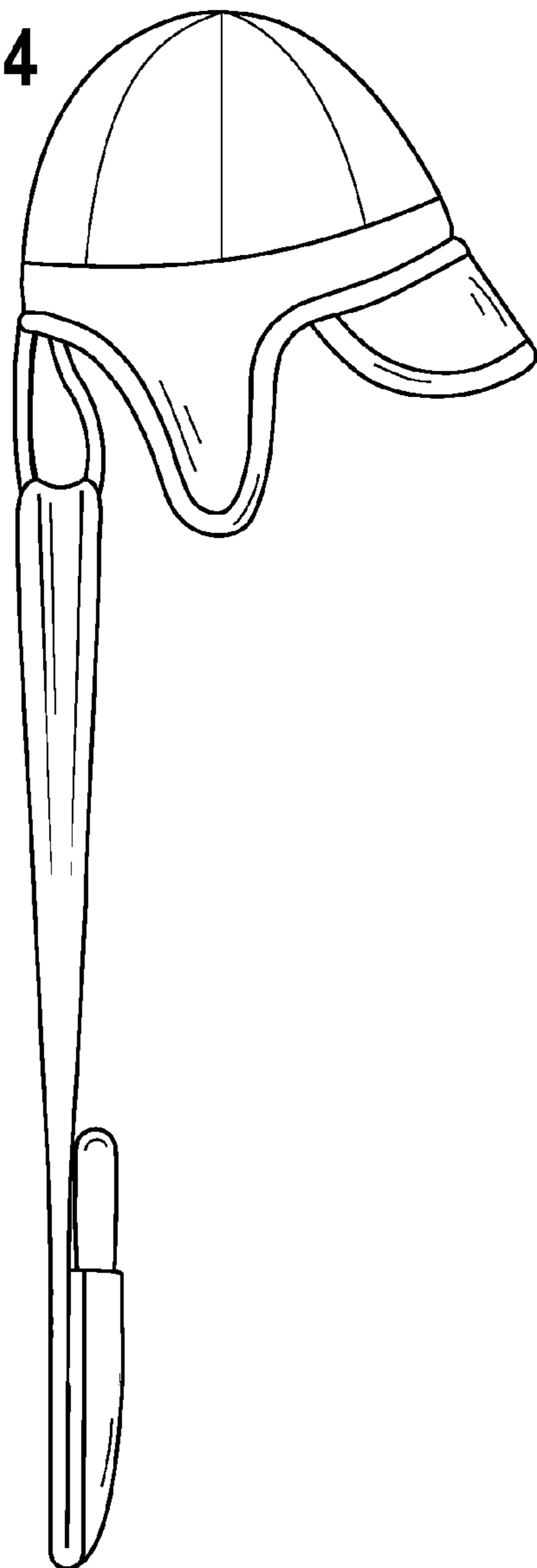


Fig. 5

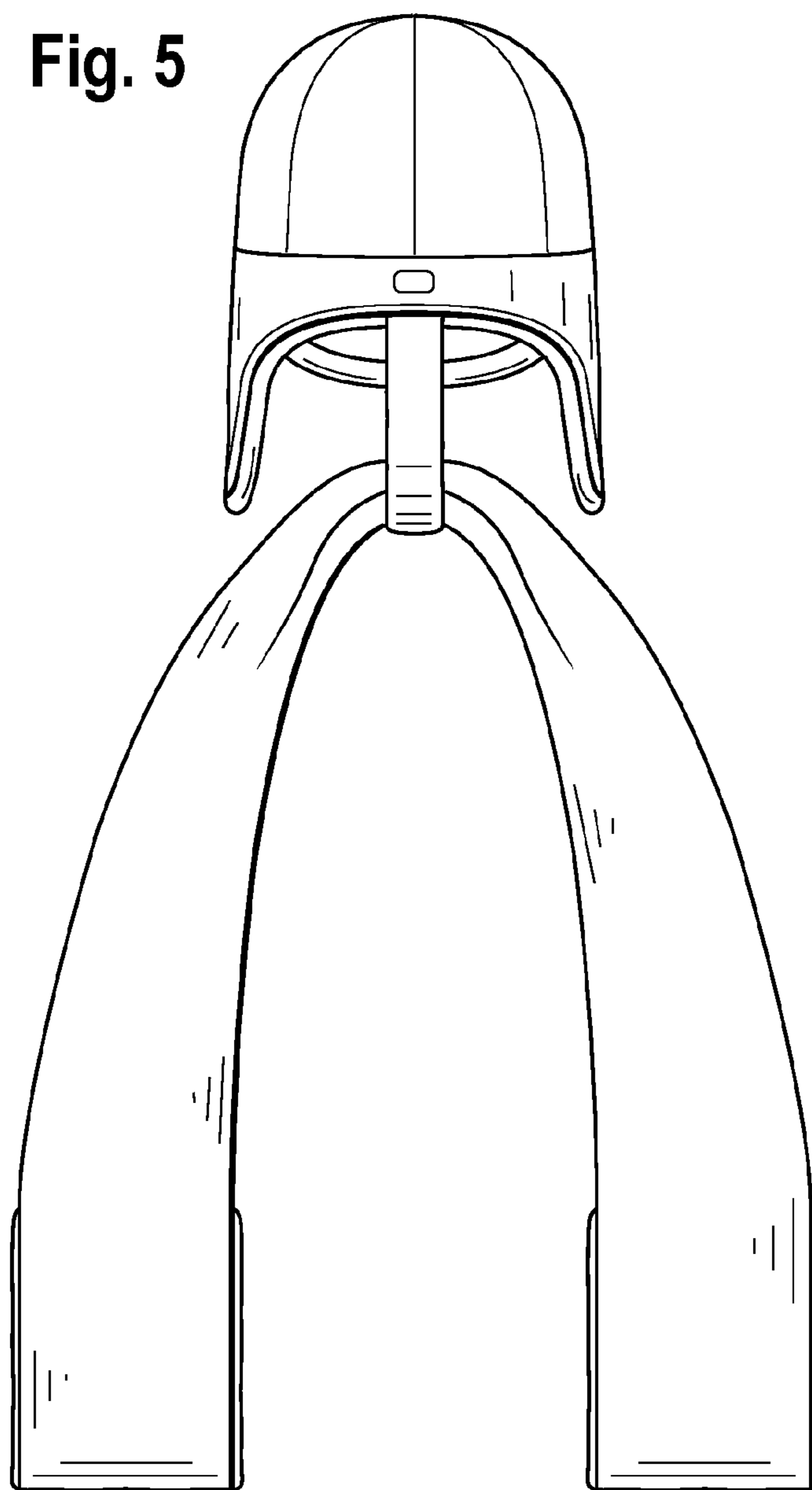


Fig. 6

