



US00D637795S

(12) **United States Design Patent**
Hooker et al.

(10) **Patent No.:** **US D637,795 S**

(45) **Date of Patent:** **** May 17, 2011**

(54) **CLOTHING EXTENDER**

(75) Inventors: **Peter Hooker**, Fairlight (AU); **Christine Mary Kininmonth**, Seaforth (AU)

(73) Assignee: **Fertile Mind Pty Ltd**, Brookvale (AU)

(**) Term: **14 Years**

(21) Appl. No.: **29/356,242**

(22) Filed: **Feb. 22, 2010**

(30) **Foreign Application Priority Data**

Aug. 26, 2009 (AU) 327828

(51) **LOC (9) Cl.** **02-02**

(52) **U.S. Cl.** **D2/853**

(58) **Field of Classification Search** D2/742,
D2/716, 731, 738, 857, 828, 830, 839, 639;
2/79, 227, 228, 238, 247, 250, 252, 93, 94,
2/220, 221, 236, 237, 265, 266, 274, 338
See application file for complete search history.

(56) **References Cited**

U.S. PATENT DOCUMENTS

243,506	A *	6/1881	Carson	2/252
953,619	A *	3/1910	Hughes	2/252
1,174,976	A *	3/1916	Gaines	2/221
2,474,495	A *	6/1949	Pollak	224/245
2,486,584	A *	11/1949	Yagodnik	2/253
2,840,824	A *	7/1958	Horner	2/247
3,091,773	A *	6/1963	Andrews	2/247
D278,378	S *	4/1985	Heinfling	D2/857
4,580,298	A *	4/1986	Tuisl	2/237

4,803,740	A *	2/1989	Dawson	2/215
5,163,184	A *	11/1992	Reardon	2/237
5,186,779	A *	2/1993	Tubbs	156/161
6,081,925	A *	7/2000	Reiber	2/125
6,085,356	A *	7/2000	Redmond, Sr.	2/237
6,219,848	B1 *	4/2001	Russell	2/221
D503,508	S	4/2005	Hooker et al.		
D610,327	S *	2/2010	Cavarra	D2/639
D613,479	S *	4/2010	Farmer	D2/853
D614,379	S *	4/2010	Campbell	D2/853
2002/0138895	A1 *	10/2002	Tajima et al.	2/237
2008/0086794	A1 *	4/2008	Gardner, III	2/237

FOREIGN PATENT DOCUMENTS

AU	2003/100732	8/2003
AU	300596	2/2005
GB	2094892	8/2000

* cited by examiner

Primary Examiner — Ian Simmons

Assistant Examiner — Rashida Johnson

(57) **CLAIM**

We claim the ornamental design for the clothing extender, as shown and described.

DESCRIPTION

FIG. 1 is a top view of a clothing extender showing my new design;

FIG. 2 is a front view thereof;

FIG. 3 is a rear view thereof;

FIG. 4 a front perspective view thereof; and,

FIG. 5 is a rear perspective view thereof.

The broken lines in FIGS. 1-5 are for illustrative purposes only and form no part of the claimed design.

1 Claim, 2 Drawing Sheets

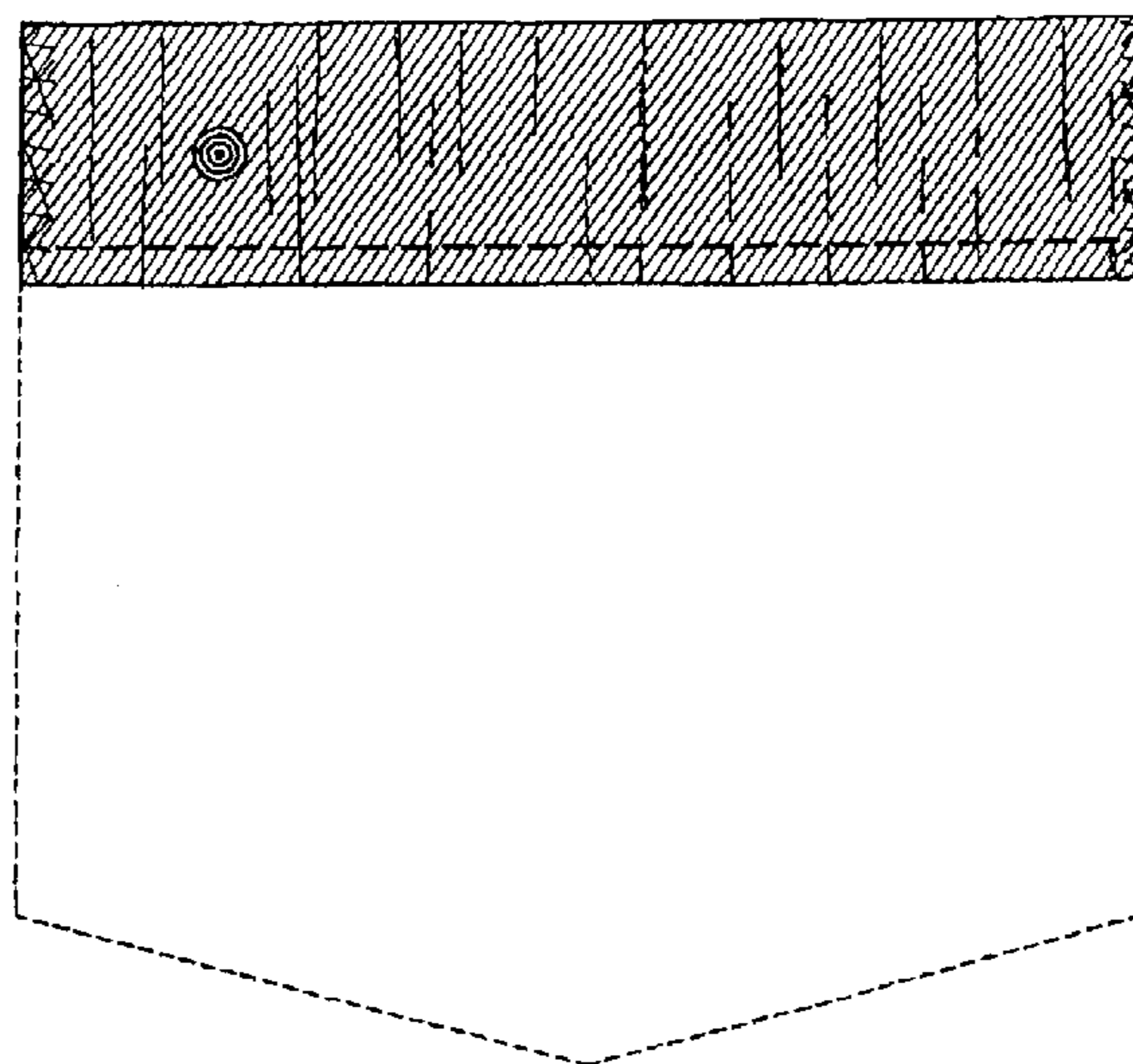
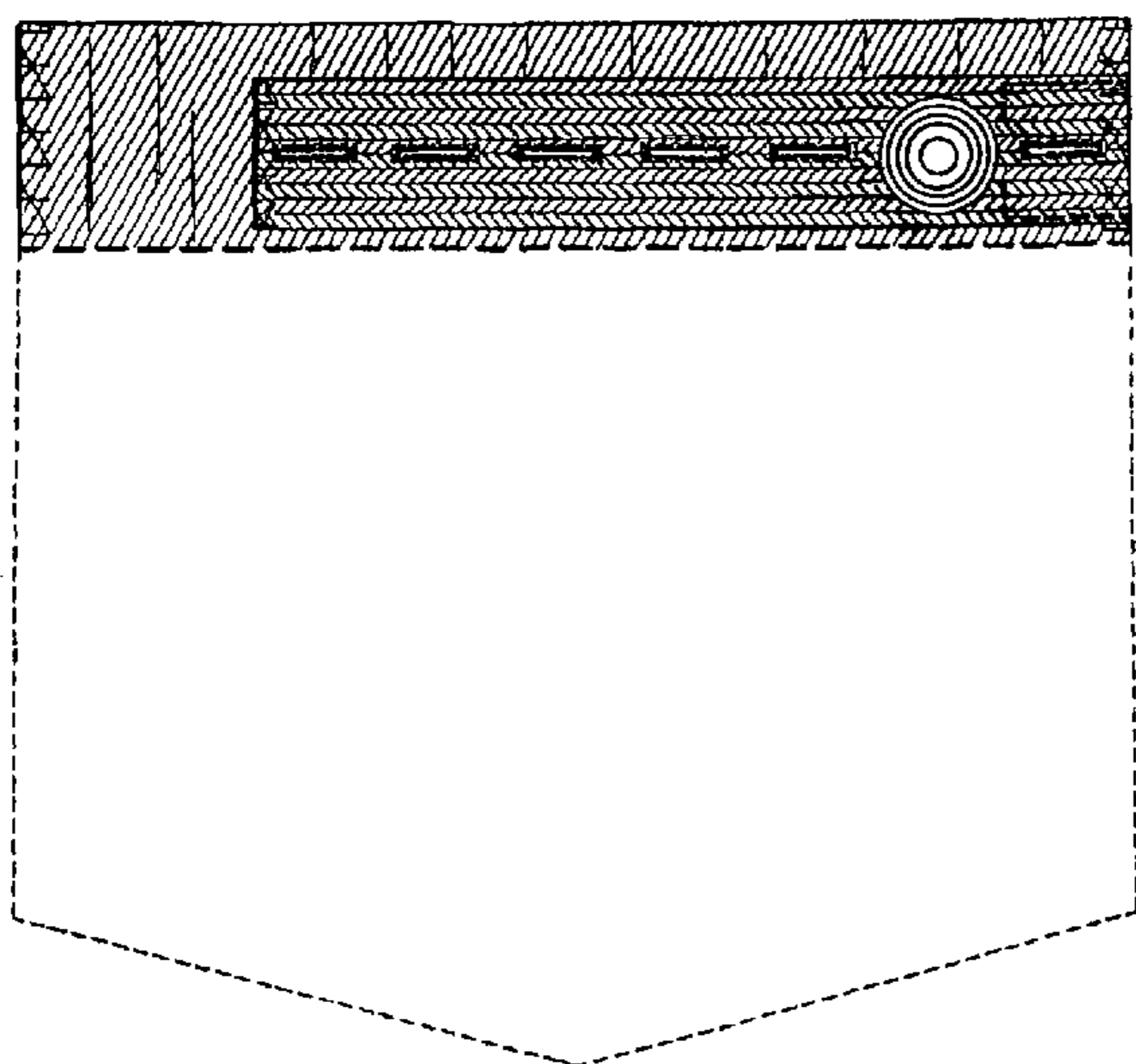




FIG. 1

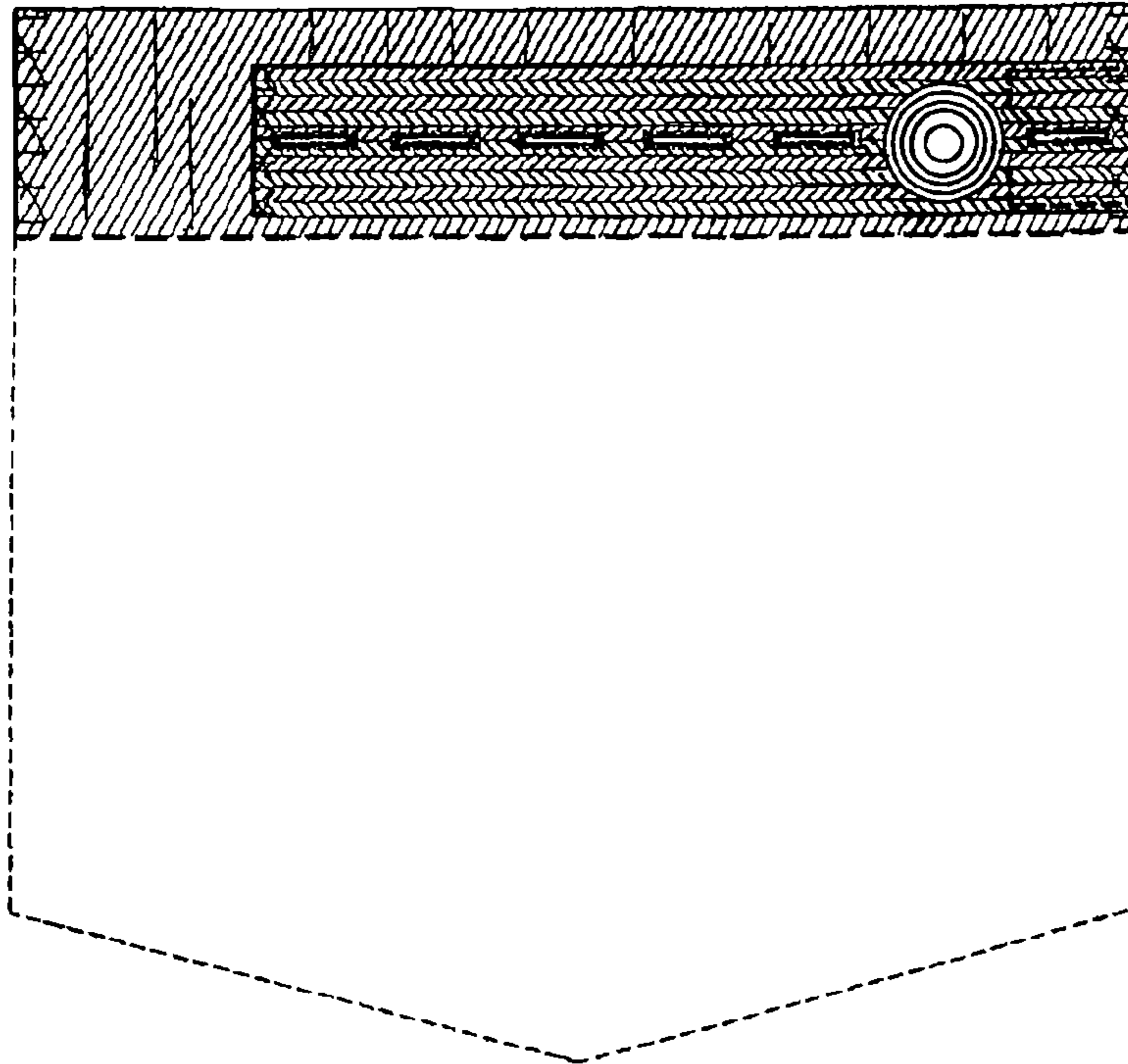


FIG. 2

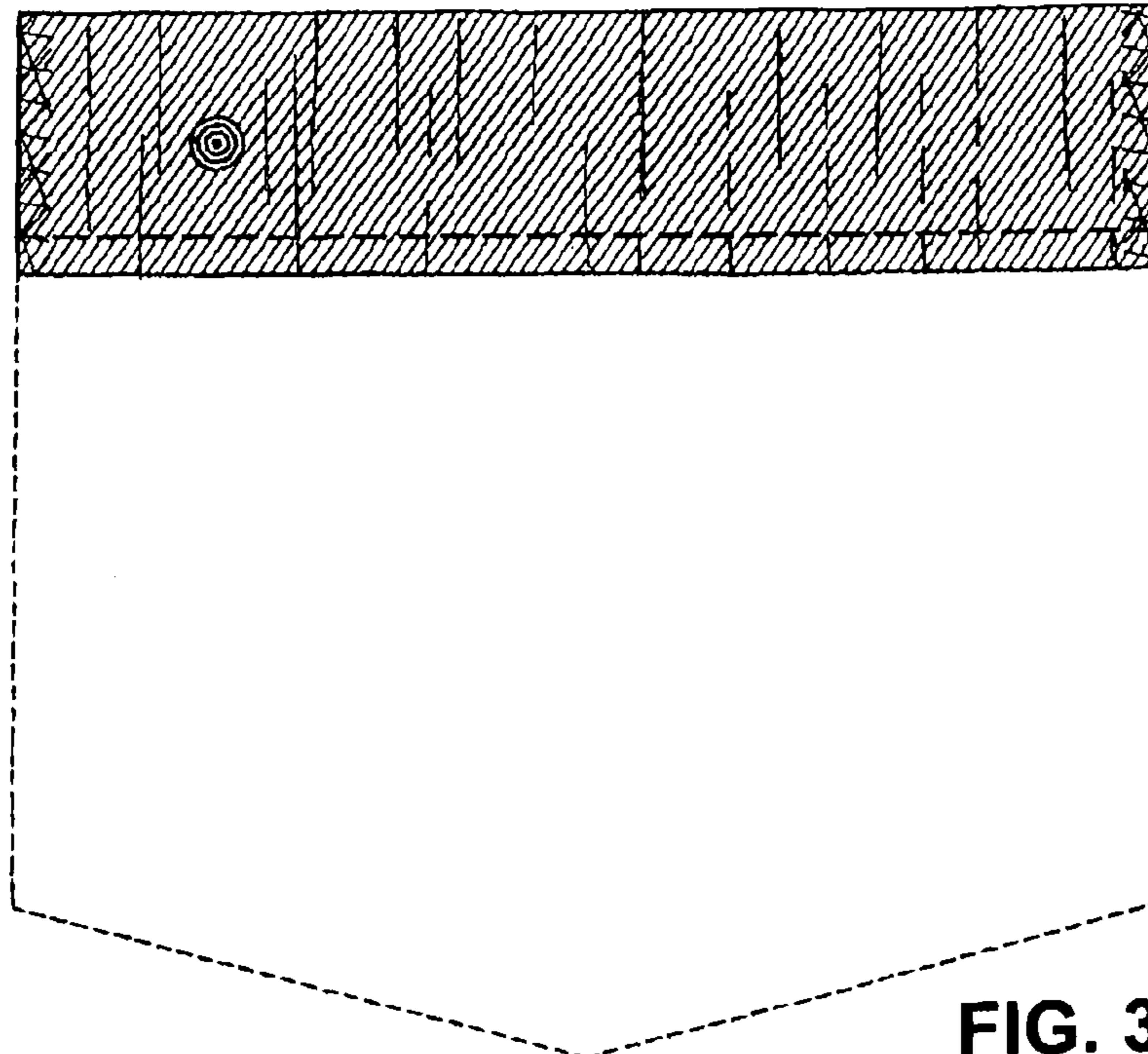


FIG. 3

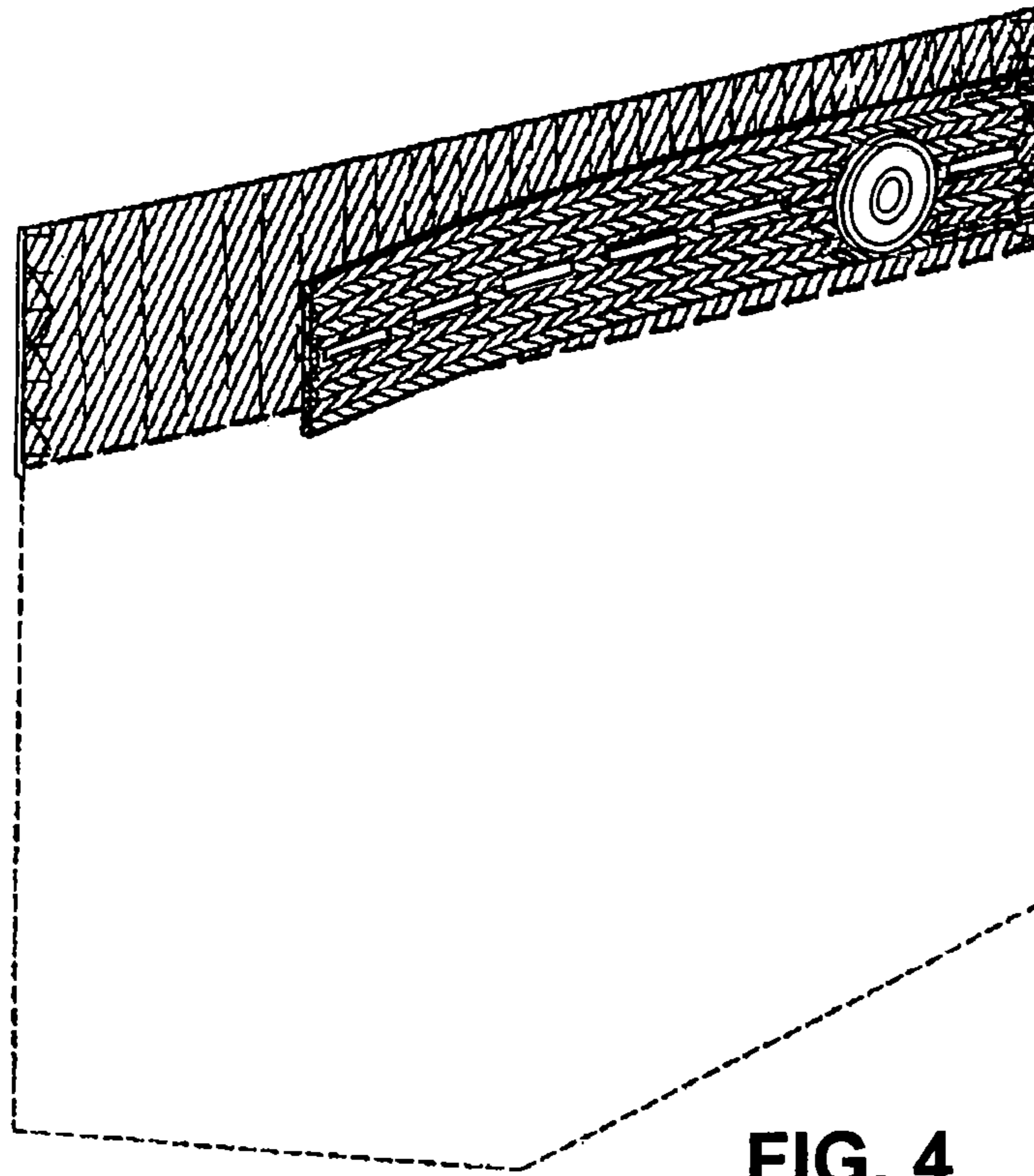


FIG. 4

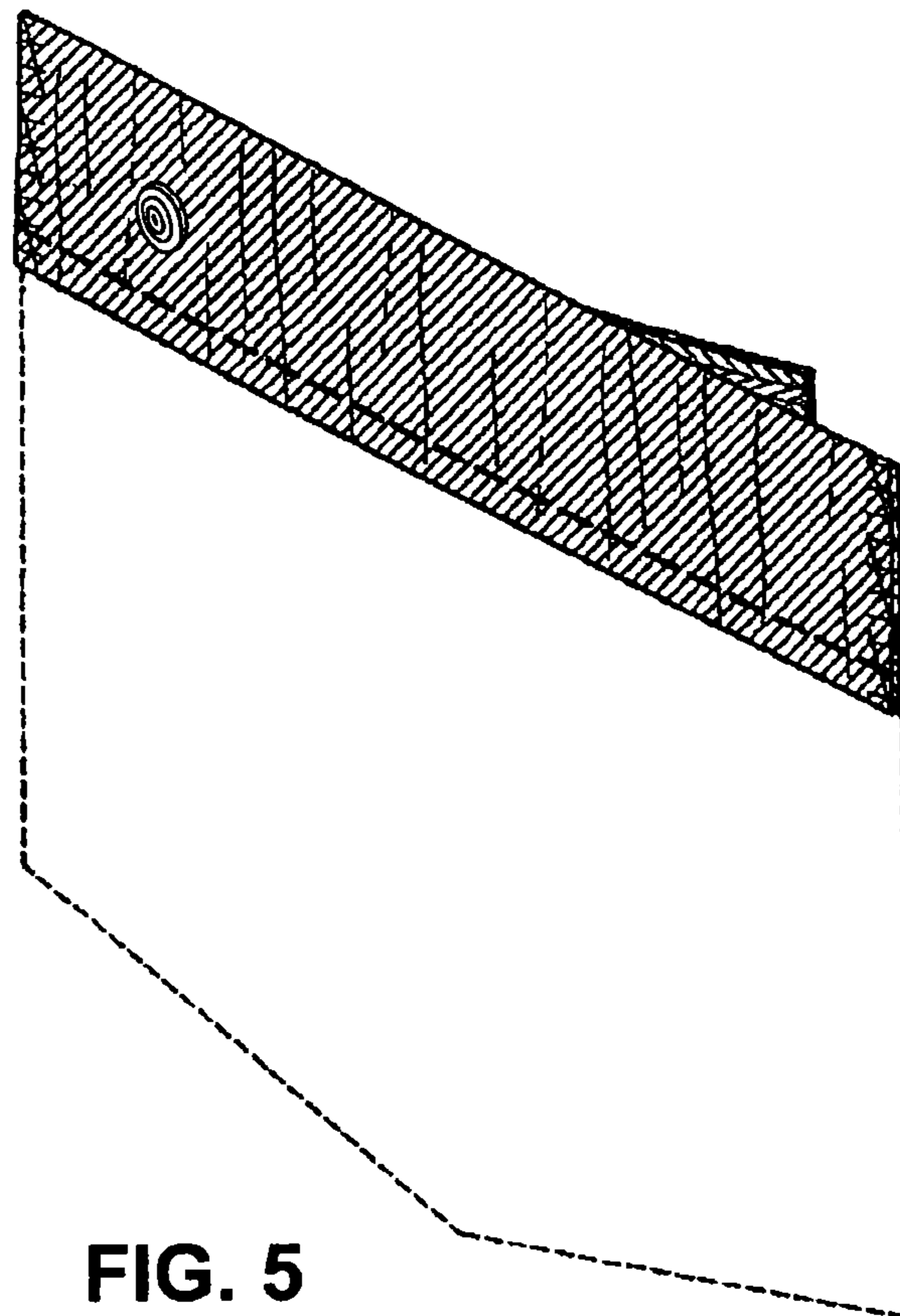


FIG. 5