



US00D637784S

(12) **United States Design Patent**  
**Plesh et al.**

(10) **Patent No.:** **US D637,784 S**

(45) **Date of Patent:** **\*\* May 10, 2011**

(54) **MOBILE DOLLY**

(75) Inventors: **Oleg Michael Plesh**, Sun Valley, CA (US); **Jeffrey D. Atherton**, Alhambra, CA (US); **Brian Babson**, Long Beach, CA (US); **Joseph Sampietro**, Los Angeles, CA (US)

(73) Assignee: **Bucket All, LLC**, Los Angeles, CA (US)

(\*\*) Term: **14 Years**

(21) Appl. No.: **29/360,647**

(22) Filed: **Apr. 29, 2010**

**Related U.S. Application Data**

(63) Continuation-in-part of application No. 12/475,555, filed on May 31, 2009.

(51) **LOC (9) Cl.** ..... **12-02**

(52) **U.S. Cl.** ..... **D34/24**

(58) **Field of Classification Search** ..... D34/11-27;  
280/79.2, 79.11, 47.34, 47.23, 79.3, 47.26,  
280/62, 47.37; 248/129, 127

See application file for complete search history.

(56) **References Cited**

**U.S. PATENT DOCUMENTS**

780,777 A	1/1905	Colling
1,255,070 A	1/1918	Waller
2,077,349 A	4/1937	Hobbis
2,324,747 A	7/1943	Weissert
2,475,278 A	7/1949	Coakley
2,683,012 A	7/1954	Reinsma
2,717,785 A	9/1955	Ray
2,770,466 A	11/1956	Pearson
2,835,501 A	5/1958	Chamberlin
3,479,047 A	11/1969	Bailey
3,612,482 A	10/1971	Eck
3,871,725 A	3/1975	Vilen
3,875,981 A	4/1975	Brenner
3,926,452 A	12/1975	Goines

4,261,596 A	4/1981	Douglas
4,313,701 A	2/1982	Brust
4,319,761 A	3/1982	Wells
4,353,596 A	10/1982	Gibson
4,453,876 A	6/1984	Arpin

(Continued)

**FOREIGN PATENT DOCUMENTS**

WO WO 2008/109897 A1 9/2008

**OTHER PUBLICATIONS**

Photos (3) taken of a carrying apparatus in Virginia City, Nevada, U.S. on or about Sep. 2009 (3 pages).

(Continued)

*Primary Examiner* — Cynthia Ramirez

(74) *Attorney, Agent, or Firm* — David Hong, Esq.; Law Office of David Hong

(57) **CLAIM**

The ornamental design for a mobile dolly, as shown and described.

**DESCRIPTION**

FIG. 1 is a perspective view of our new design for our mobile dolly invention.

FIG. 2 is a first side elevation view of the mobile dolly invention of FIG. 1; the second side or opposite side elevation view is not shown but is the mirror image of the first side elevation view shown.

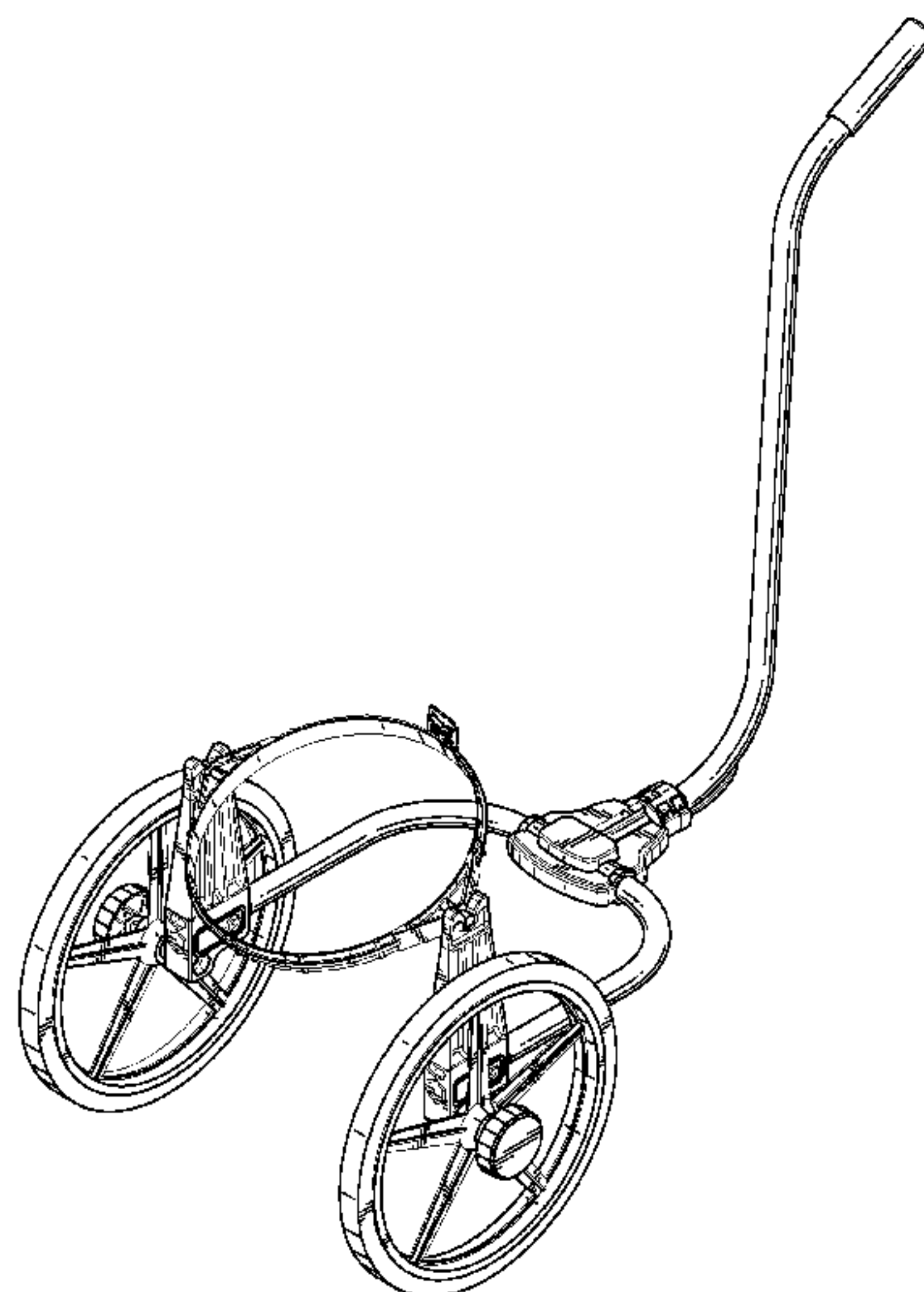
FIG. 3 is a front elevation view of the mobile dolly invention of FIG. 1.

FIG. 4 is a rear elevation view of the mobile dolly invention of FIG. 1.

FIG. 5 is a top view of the mobile dolly invention of FIG. 1; and,

FIG. 6 is a bottom view of the mobile dolly invention of FIG. 1.

**1 Claim, 4 Drawing Sheets**



# US D637,784 S

Page 2

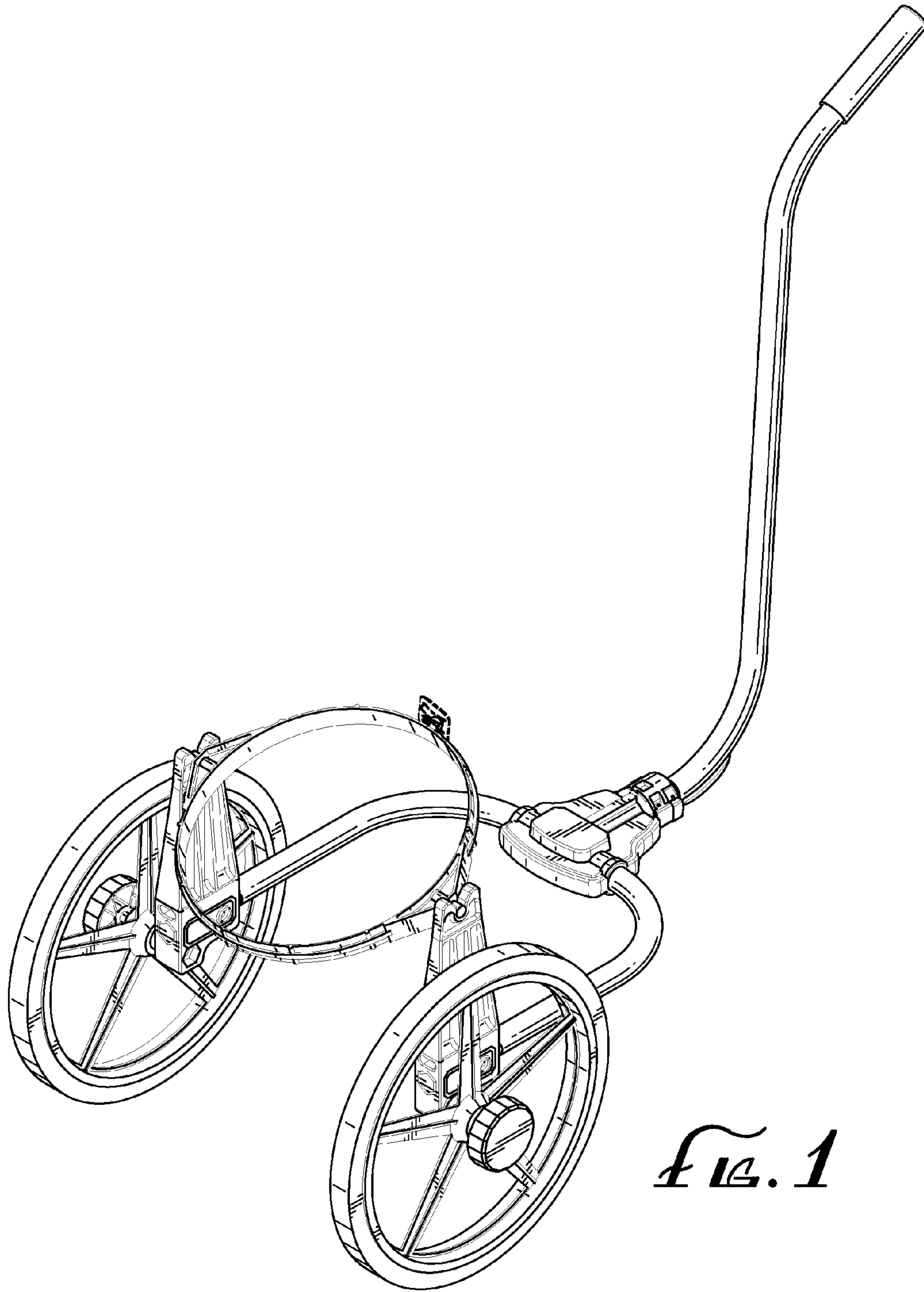
## U.S. PATENT DOCUMENTS

4,511,154 A 4/1985 Dalosio  
4,576,237 A 3/1986 Arney  
4,861,110 A 8/1989 Rumpke  
D323,050 S \* 1/1992 Zint ..... D34/18  
5,149,116 A 9/1992 Donze  
5,183,280 A 2/1993 Gresch  
5,366,189 A 11/1994 Thompson  
D356,199 S \* 3/1995 Samuelsson ..... D34/24  
5,464,102 A 11/1995 LeBlanc  
5,469,944 A 11/1995 Wang  
D366,748 S \* 1/1996 Harrington ..... D34/24  
5,568,848 A 10/1996 Liang  
5,713,583 A 2/1998 Hansen  
5,845,951 A 12/1998 Webb  
5,938,396 A 8/1999 Audet  
6,041,945 A 3/2000 Faraj  
6,056,177 A 5/2000 Schneider  
6,158,762 A 12/2000 Wong  
6,349,955 B1 2/2002 Cottard  
D462,493 S \* 9/2002 Sivells et al. .... D34/12  
D463,649 S \* 9/2002 Halstead ..... D34/24  
6,505,843 B1 1/2003 Williams  
2010/0038872 A1 \* 2/2010 Sergyeyenko et al. .... 280/47.26

## OTHER PUBLICATIONS

Printouts from Internet website ([www.homedepot.com](http://www.homedepot.com)) for ATB 2, 5 Gal. Black Bucket All Terrain Bucket System with Lids and Tool Caddy (7 pages) on or about Jun. 2009.  
Printouts from Internet website ([www.lowes.com](http://www.lowes.com)) for “dolly” (2 pages) on or about Oct. 1, 2009.  
Printouts from Internet website ([www.milwaukeehandtrucks.com](http://www.milwaukeehandtrucks.com))(28 pages) on or about Oct. 1, 2009.  
3 photos of a rolling cart taken in Holland on or about Summer 2010; this cart appears to be similar to the cart shown in US 780777 (Colling).  
Photo (1) taken of a carrying apparatus at the 2009 Chelsea Flower Show, England (1 page).  
Printouts (2 pages) from Internet website (<http://www.solutions.com/jump.jsp?itemID=9611&itemType=PRODUCT>) for Pot Mover Caddy; printed out on Oct. 5, 2009.  
1 page Printout from Ebay on or about Jul. 2010 for item entitled: Butler Steel Hand Cart.  
B Gover Limited—English Water Trolley, 1 page, Feb. 21, 2011 printout from Internet website ([http://bgoverlimited.1stdibs.com/store/furniture\\_item\\_detail.php?id=490295&cur\\_tab=](http://bgoverlimited.1stdibs.com/store/furniture_item_detail.php?id=490295&cur_tab=)).

\* cited by examiner



*FIG. 1*

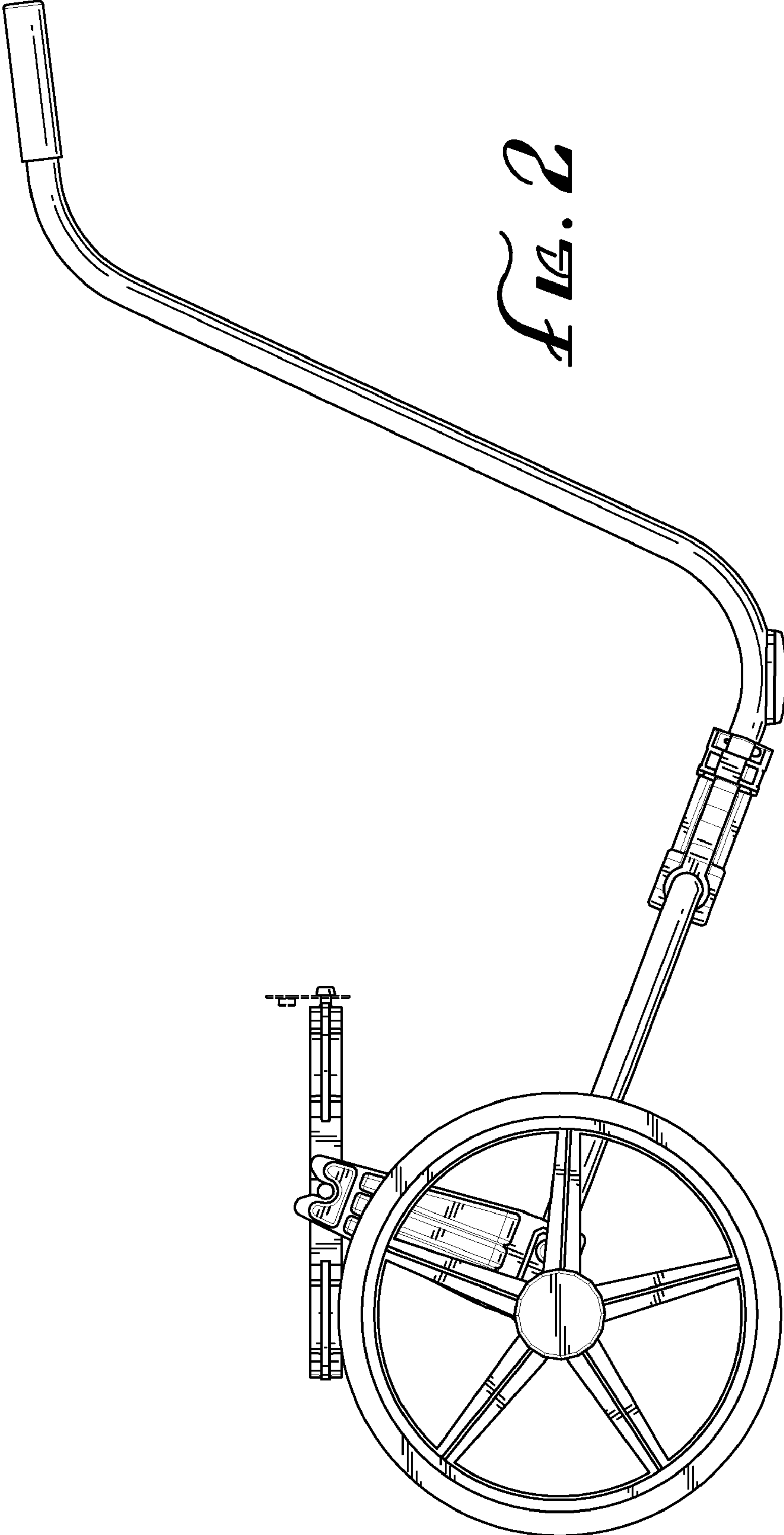
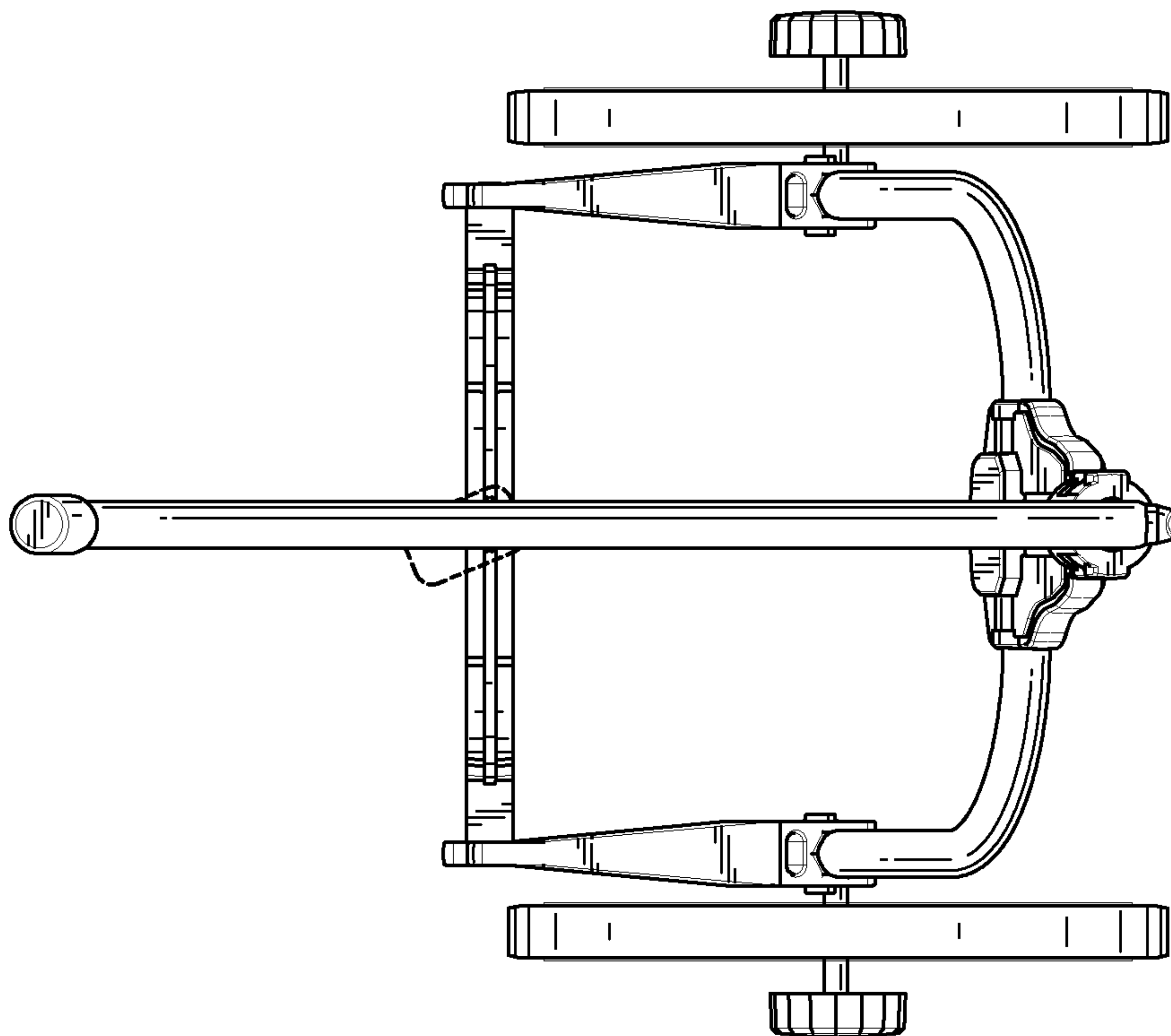
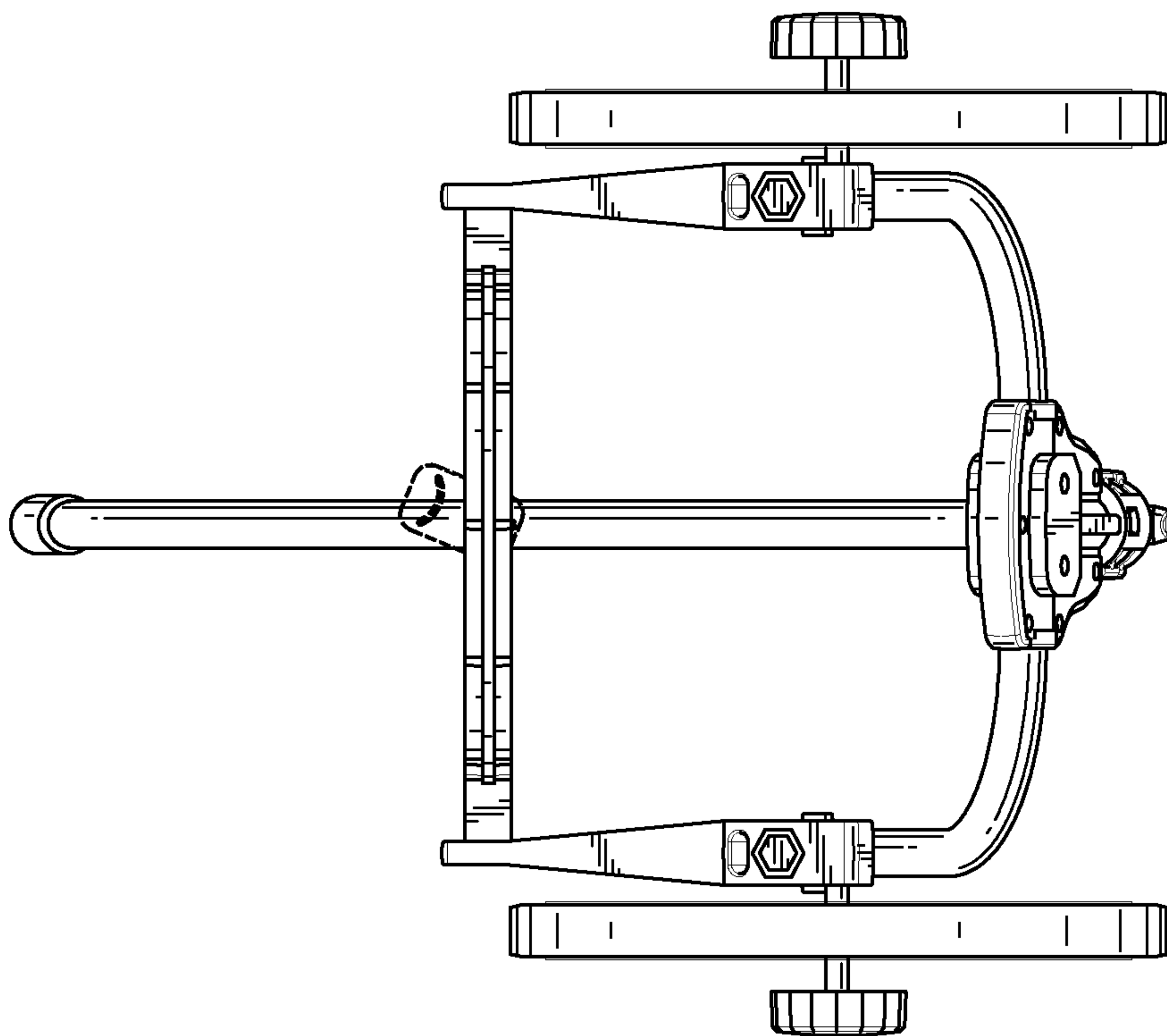


FIG. 2





*FIG. 4*



*FIG. 3*

