

US00D637783S

(12) **United States Design Patent**
Liao

(10) **Patent No.:** **US D637,783 S**

(45) **Date of Patent:** **** May 10, 2011**

(54) **GOLF CART**

(75) Inventor: **Gordon Liao, Yung Kang (TW)**

(73) Assignee: **Unique Product & Design Co., Ltd.,
Yung Kang, Tainan Hsien (TW)**

(**) Term: **14 Years**

(21) Appl. No.: **29/368,417**

(22) Filed: **Aug. 24, 2010**

(51) **LOC (9) Cl.** **12-13**

(52) **U.S. Cl.** **D34/15**

(58) **Field of Classification Search** D34/12-27;
280/DIG. 5, DIG. 6, 62, 47.19, 47.26, 47.17,
280/47.18, 47.24, 40, 30, 41, 646, 652, 47.22,
280/79.11; 180/19.3, 19.1, 65.6
See application file for complete search history.

(56) **References Cited**

U.S. PATENT DOCUMENTS

D459,996	S *	7/2002	Kuzma et al.	D9/549
6,698,789	B2 *	3/2004	Reimers et al.	280/651
D488,279	S *	4/2004	Wu	D34/15
D502,303	S *	2/2005	Wu	D34/15
6,969,078	B2 *	11/2005	Liao	280/38
7,000,928	B2 *	2/2006	Liao	280/38
7,128,333	B2 *	10/2006	Reimers et al.	280/651

D549,421	S *	8/2007	Liao	D34/15
D599,973	S *	9/2009	Liao	D34/15
D621,120	S *	8/2010	Liao	D34/15
D629,993	S *	12/2010	Liao	D34/15
2004/0135331	A1 *	7/2004	Liao	280/47.2
2008/0174090	A1 *	7/2008	Gross	280/646

* cited by examiner

Primary Examiner — Cynthia E Ramirez

(74) *Attorney, Agent, or Firm* — Alan Kamrath; Kamrath & Associates PA

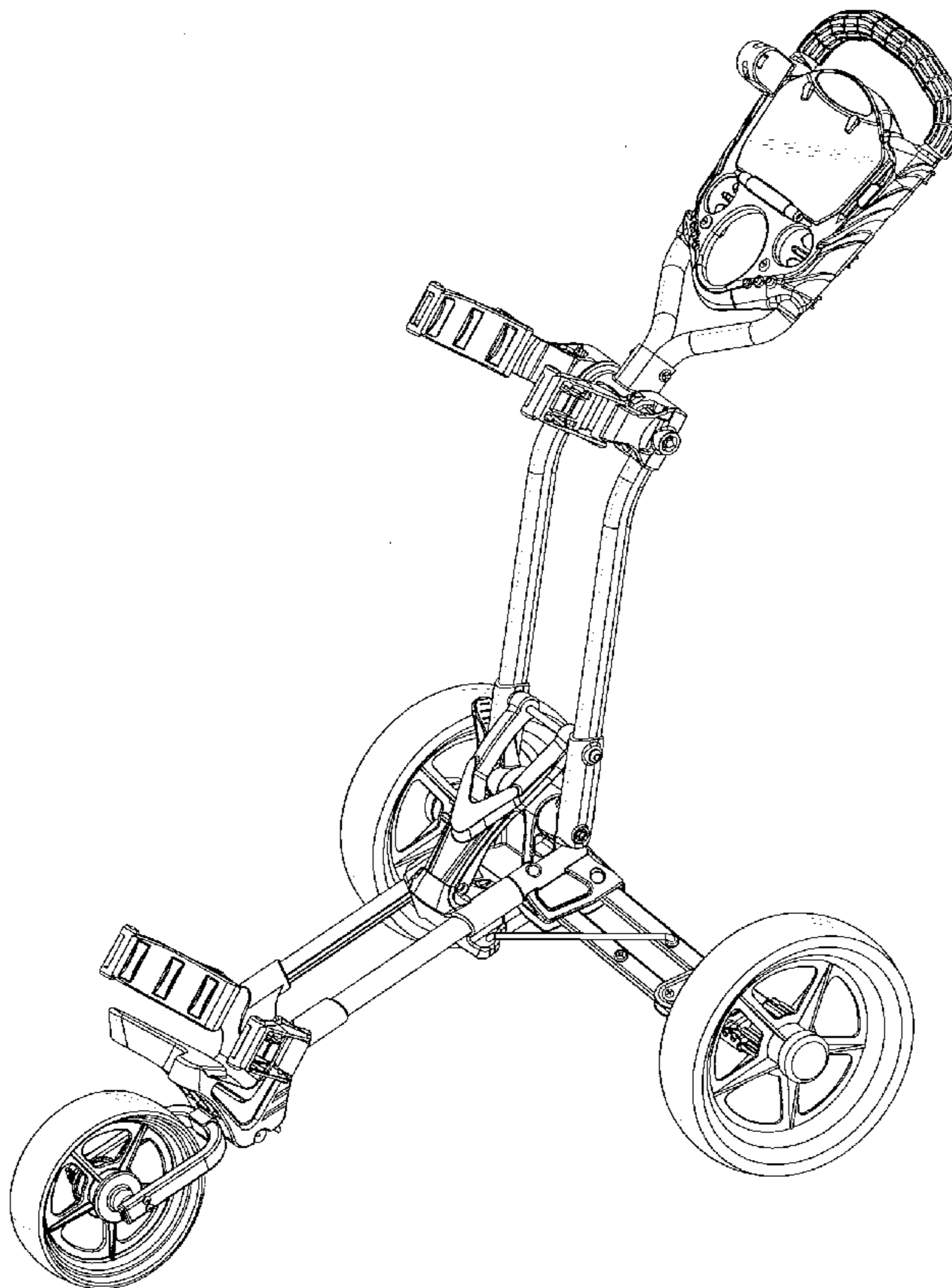
(57) **CLAIM**

The ornamental design for a golf cart, as shown and described.

DESCRIPTION

FIG. 1 is a perspective view of a golf cart showing my new design;
FIG. 2 is a front elevational view thereof;
FIG. 3 is a rear elevational view thereof;
FIG. 4 is a left side elevational view thereof;
FIG. 5 is a right side elevational view thereof;
FIG. 6 is a top plan view thereof;
FIG. 7 is a bottom plan view thereof; and,
FIG. 8 is a perspective schematic view illustrating a golf cart showing my design being folded.

1 Claim, 8 Drawing Sheets



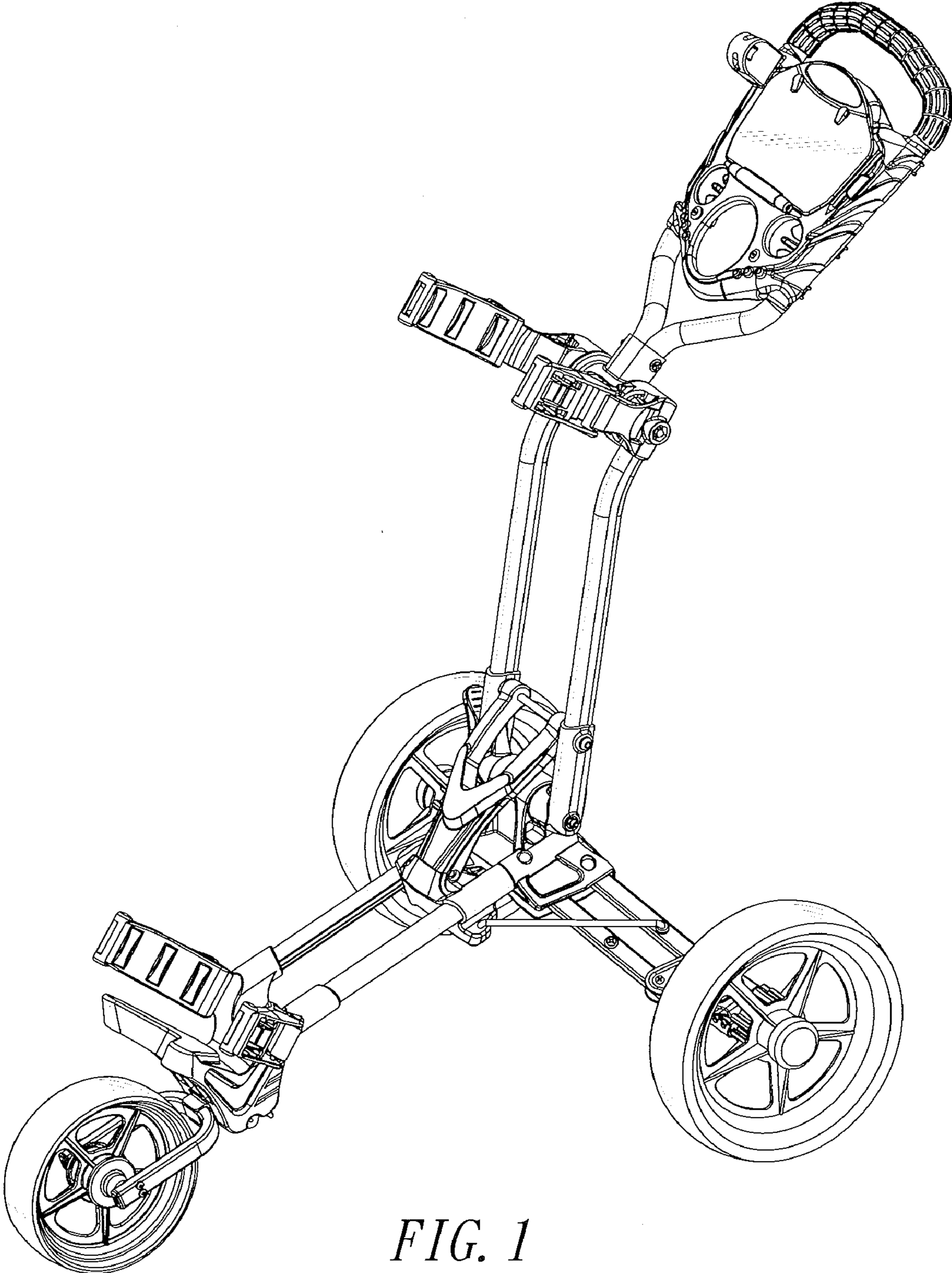


FIG. 1

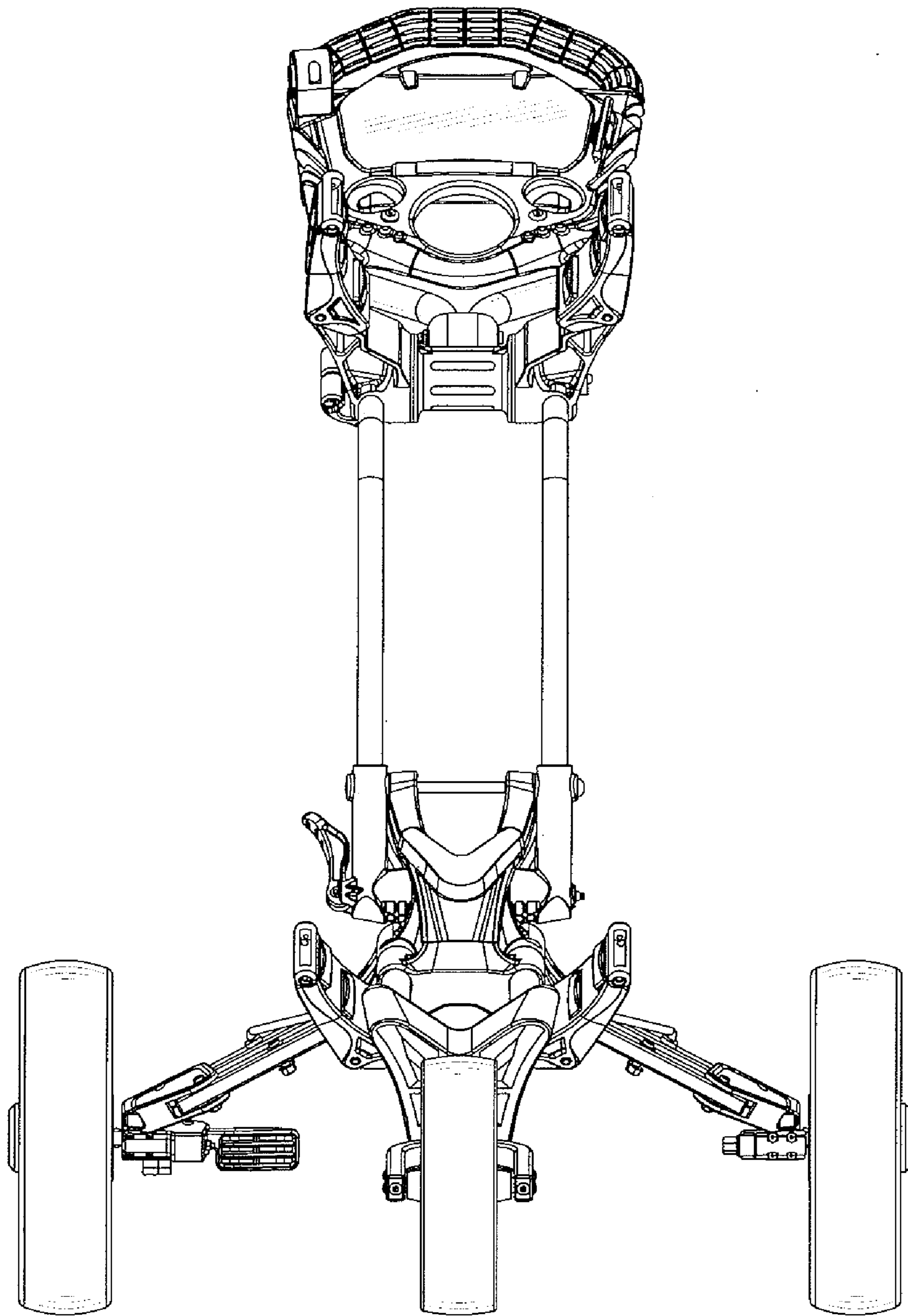


FIG. 2

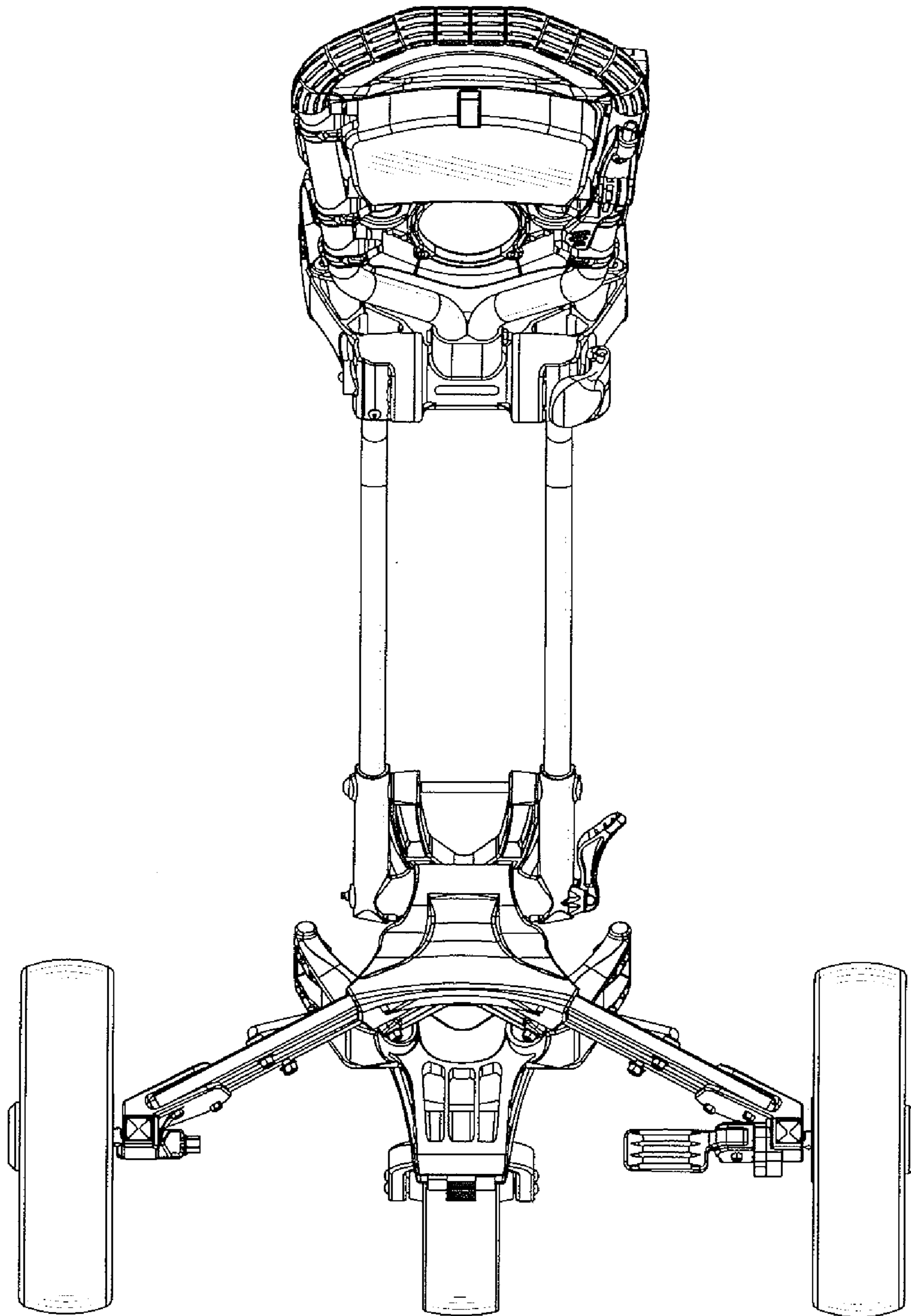


FIG. 3

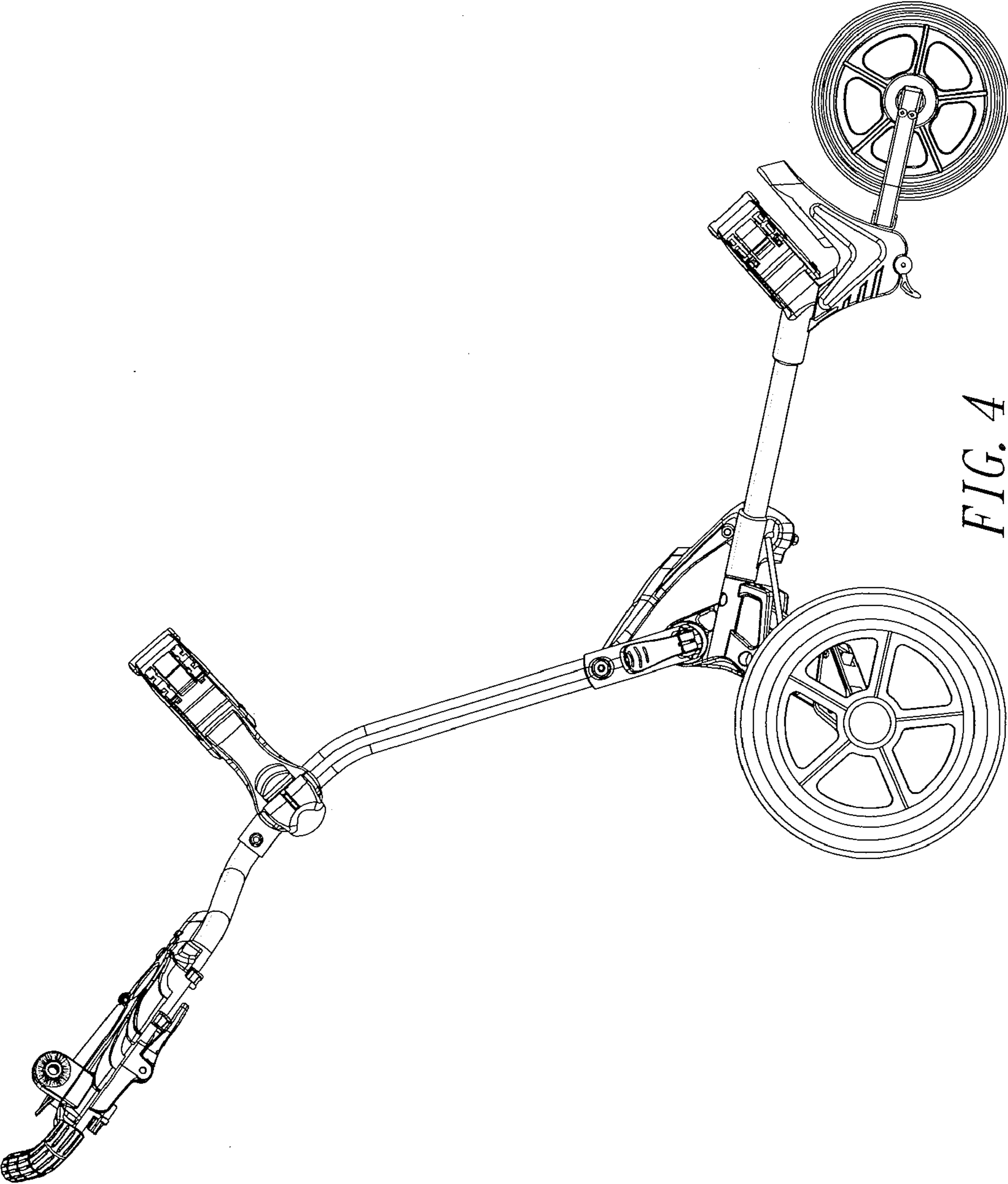


FIG. 4

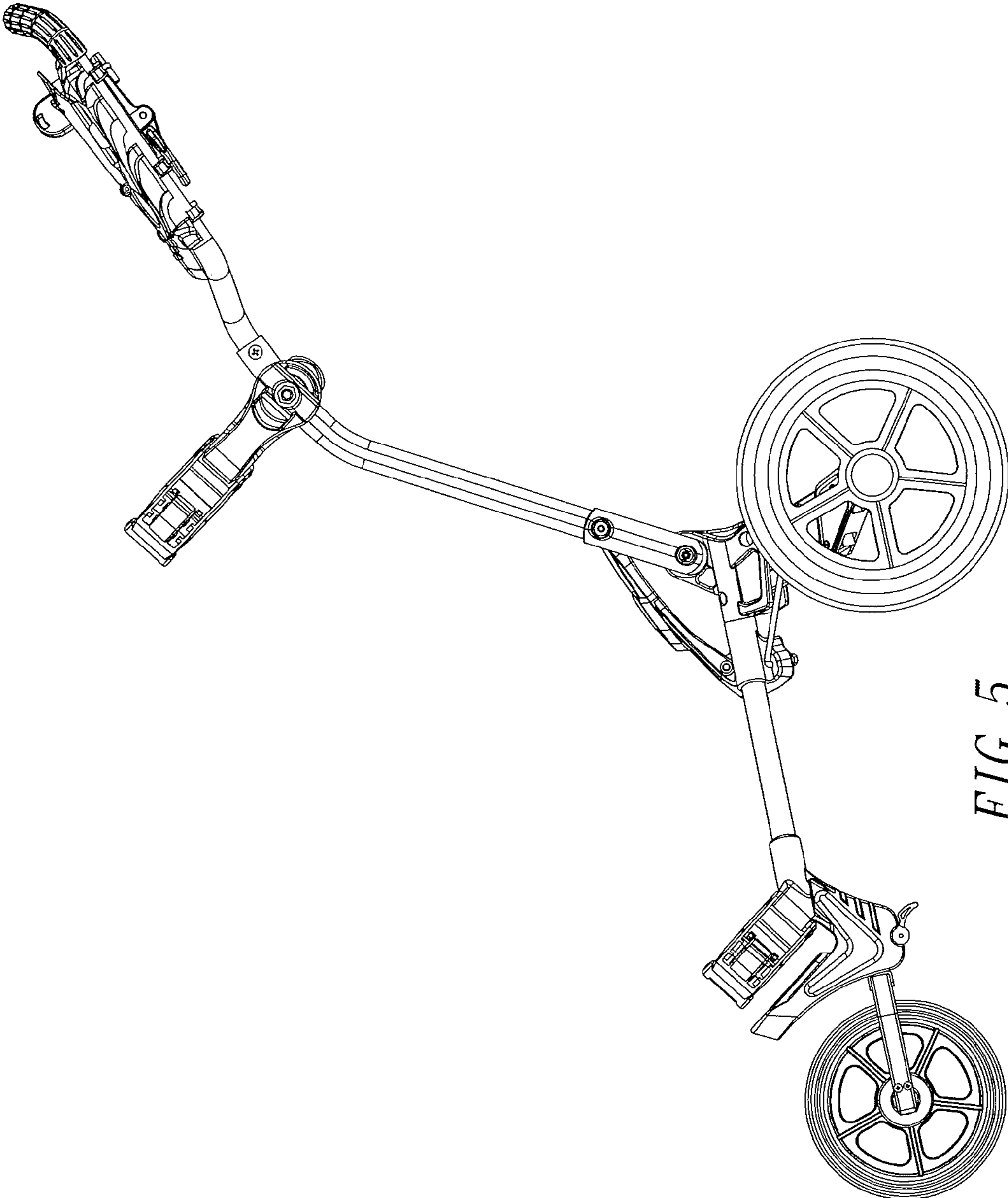


FIG. 5

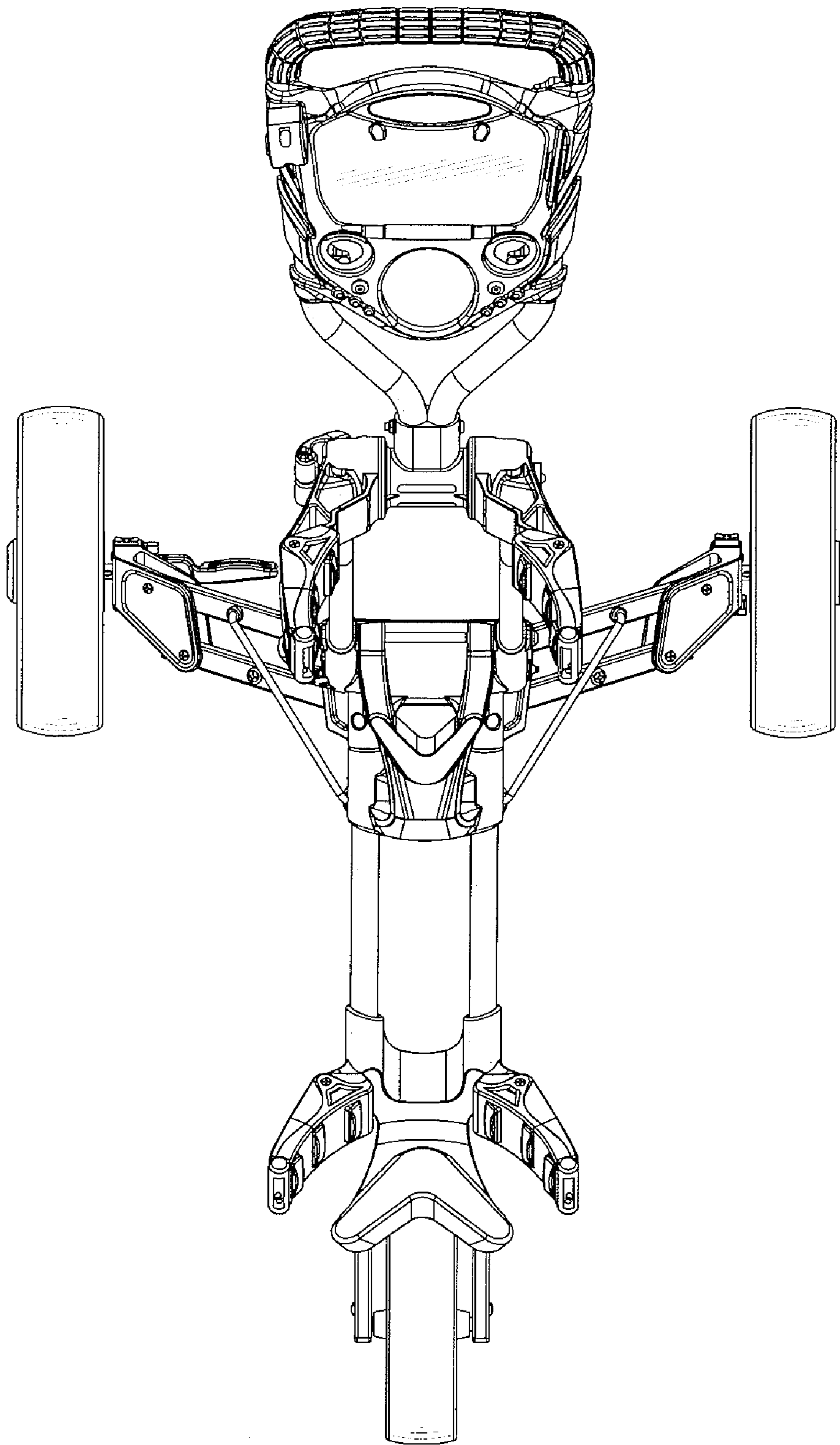


FIG. 6

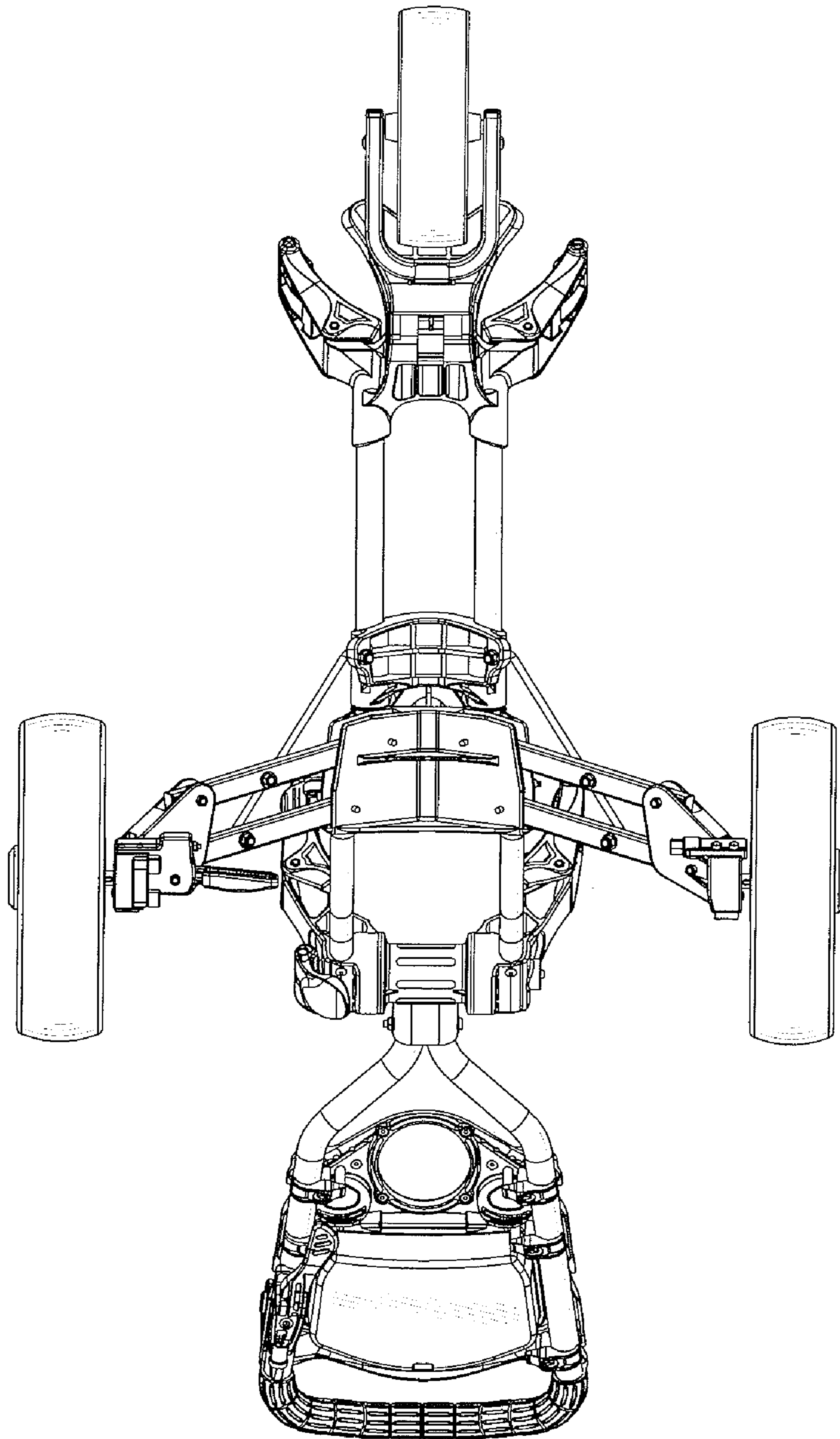


FIG. 7

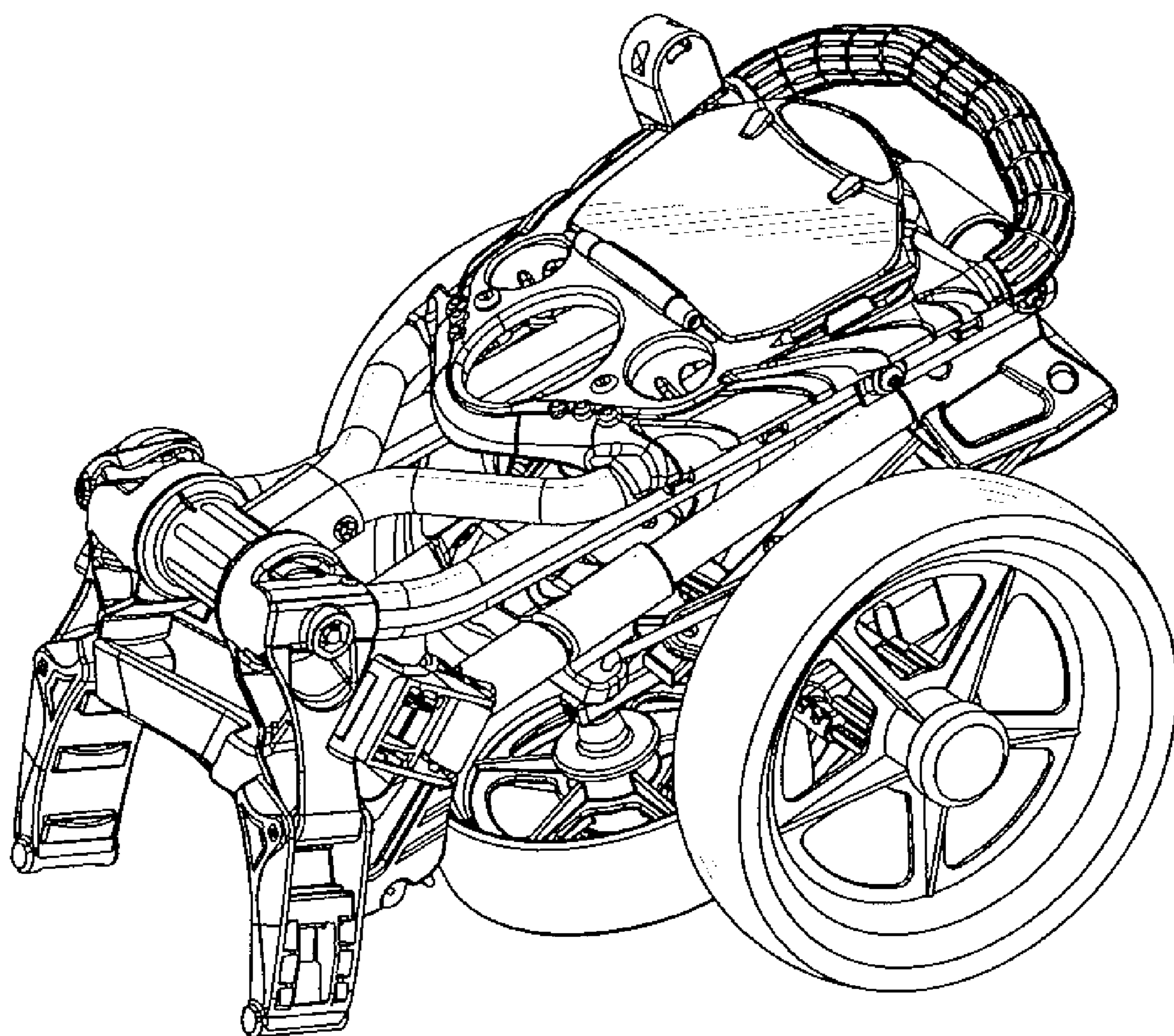


FIG. 8