

US00D637782S

(12) **United States Design Patent**
Steffens

(10) **Patent No.:** **US D637,782 S**
(45) **Date of Patent:** **** May 10, 2011**

(54) **COMPUTER CART**

(75) Inventor: **Charles J. Steffens**, Ada, MI (US)

(73) Assignee: **Steffens Enterprises, Inc.**, Caledonia, MI (US)

(**) Term: **14 Years**

(21) Appl. No.: **29/358,553**

(22) Filed: **Mar. 29, 2010**

(51) **LOC (9) Cl.** **12-02**

(52) **U.S. Cl.** **D34/14**

(58) **Field of Classification Search** D34/12-27;
D24/185, 186; 280/47.34, 79.3, 47.35, 47.26;
D6/426, 244, 236, 460, 477, 478
See application file for complete search history.

“LITE” Laptop Cart by Enovate.
“Medical LCD” Cart by Enovate.
“Flo 1760” Mobile Workstation by Emersion.
“T5” Medical Computer Cart by Humanscale.
“Ultra ZXP” Computer Cart by InfoLogix and JACO.
“UltraLite Rx” Medication Cart by InfoLogix and JACO.
Computer Cart by Rubbermaid.

* cited by examiner

Primary Examiner — Cynthia Ramirez

(74) *Attorney, Agent, or Firm* — Warner Norcross & Judd LLP

(57) **CLAIM**

The ornamental design for a computer cart, as shown and described.

(56) **References Cited**

U.S. PATENT DOCUMENTS

D517,768 S	3/2006	Arceta	
D518,267 S	3/2006	Arceta	
D536,151 S	1/2007	Rossini et al.	
D548,918 S	8/2007	Nussberger	
D553,324 S	10/2007	Lieblein	
D612,561 S *	3/2010	Hunter et al.	D34/14
D625,071 S *	10/2010	Shigeno et al.	D34/17

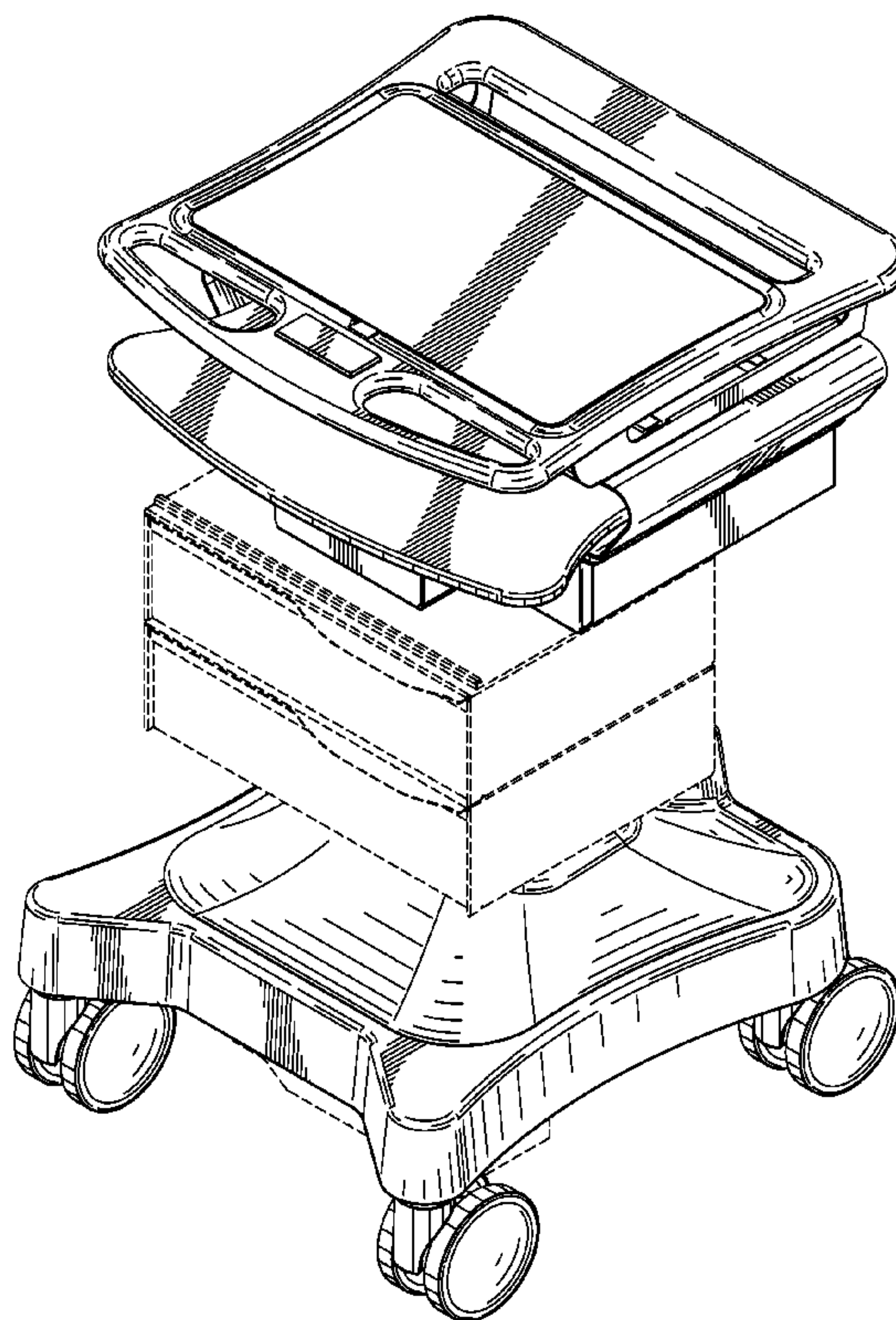
OTHER PUBLICATIONS

“PC700-LP” Point of Care Cart by AFC Industries, Inc.
“NX10” Workstation Cart by Artromick.

DESCRIPTION

FIG. 1 is a front perspective view of a computer cart embodying the new design;
FIG. 2 is a front view thereof;
FIG. 3 is a right side view thereof;
FIG. 4 is a rear view thereof;
FIG. 5 is a left side view thereof;
FIG. 6 is a top view thereof; and,
FIG. 7 is a bottom view thereof.

1 Claim, 7 Drawing Sheets



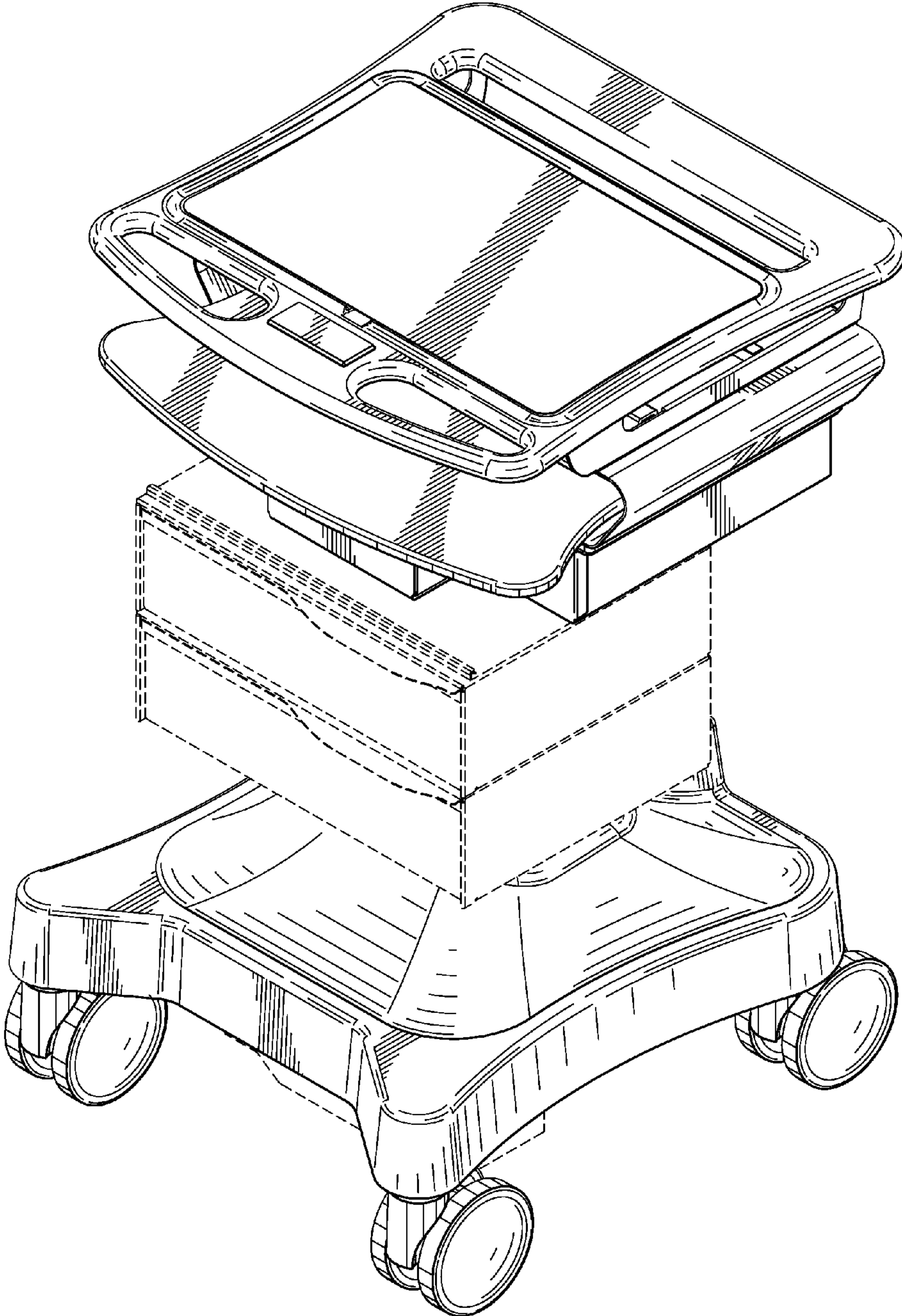


FIG. 1

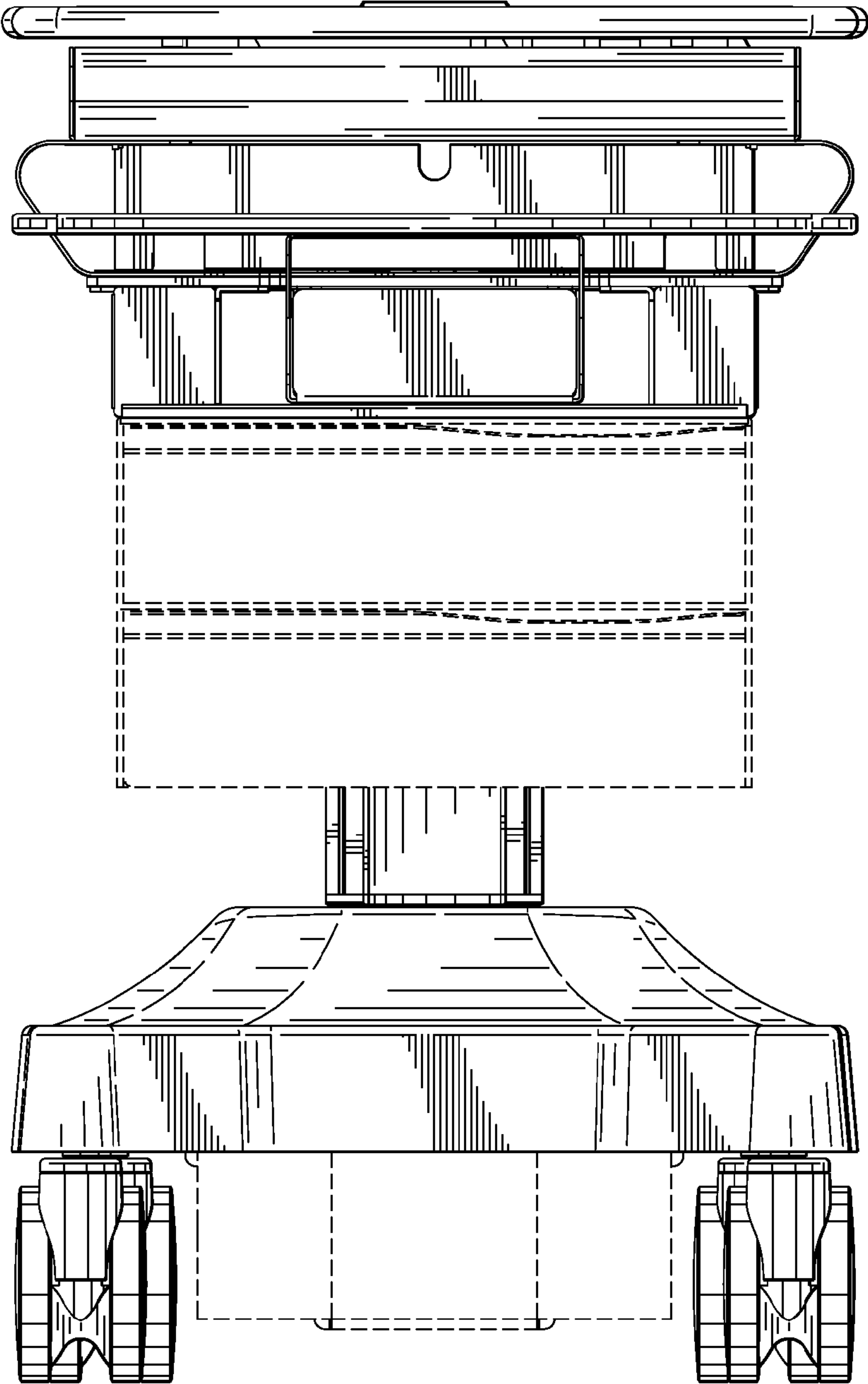


FIG. 2

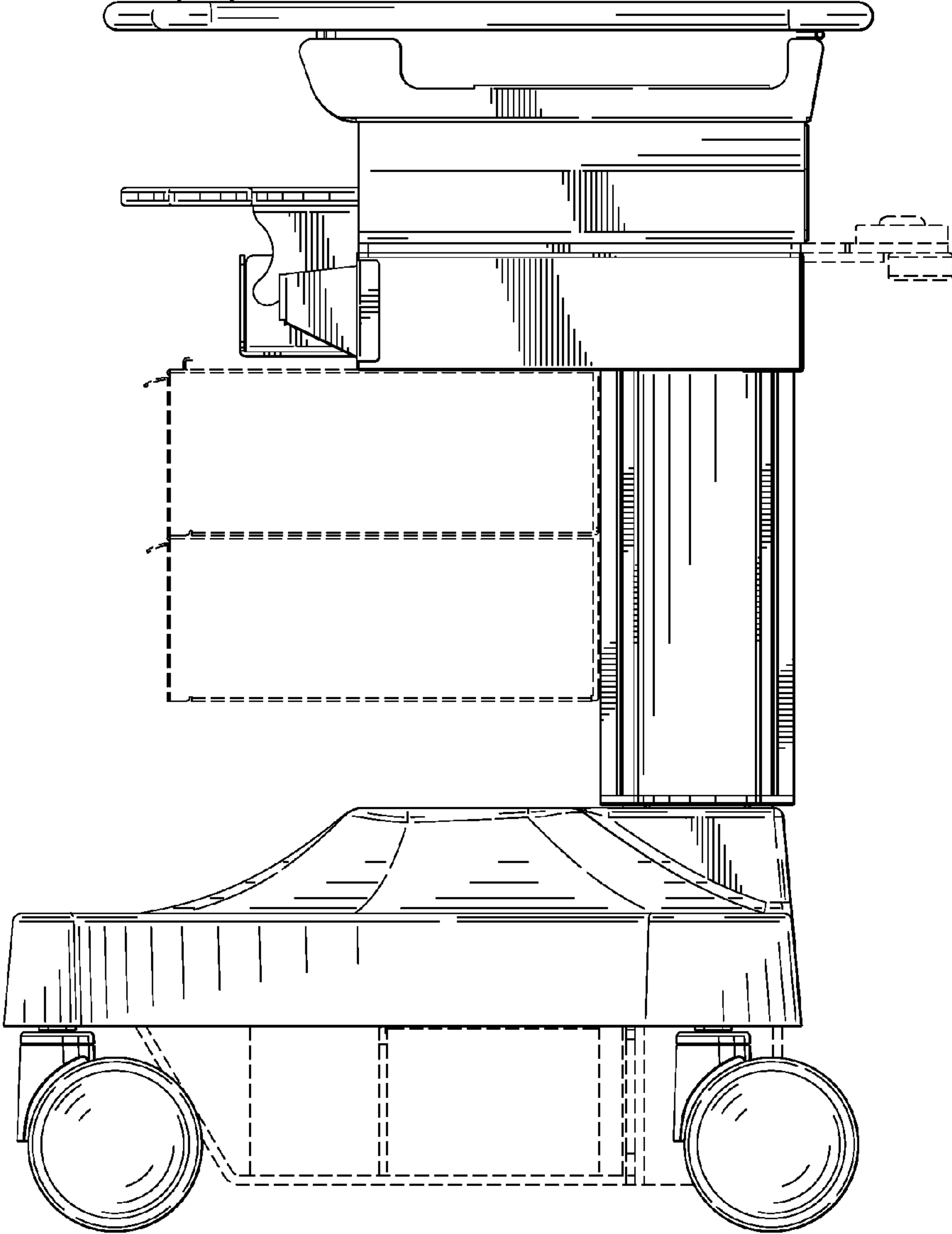


FIG. 3

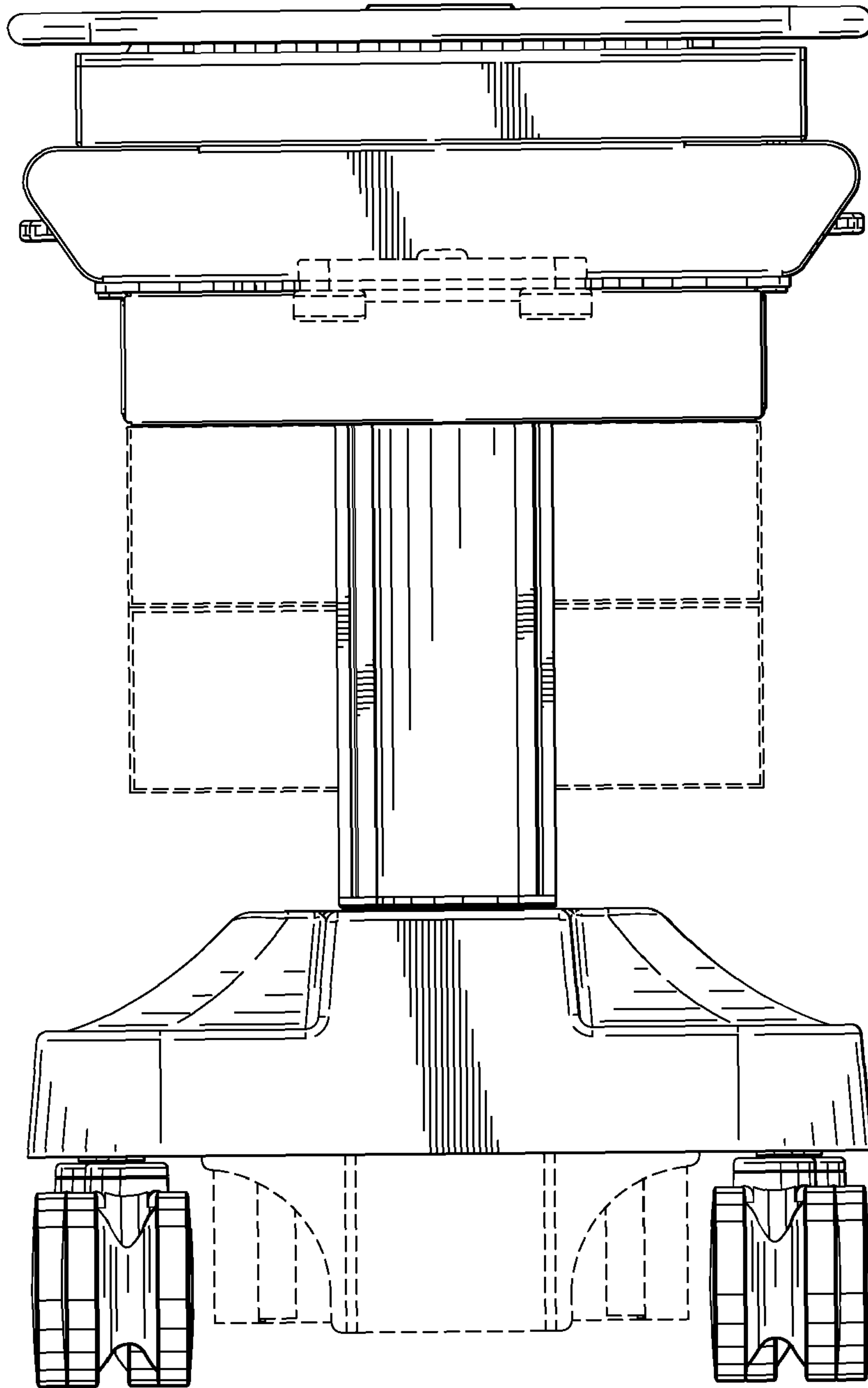


FIG. 4

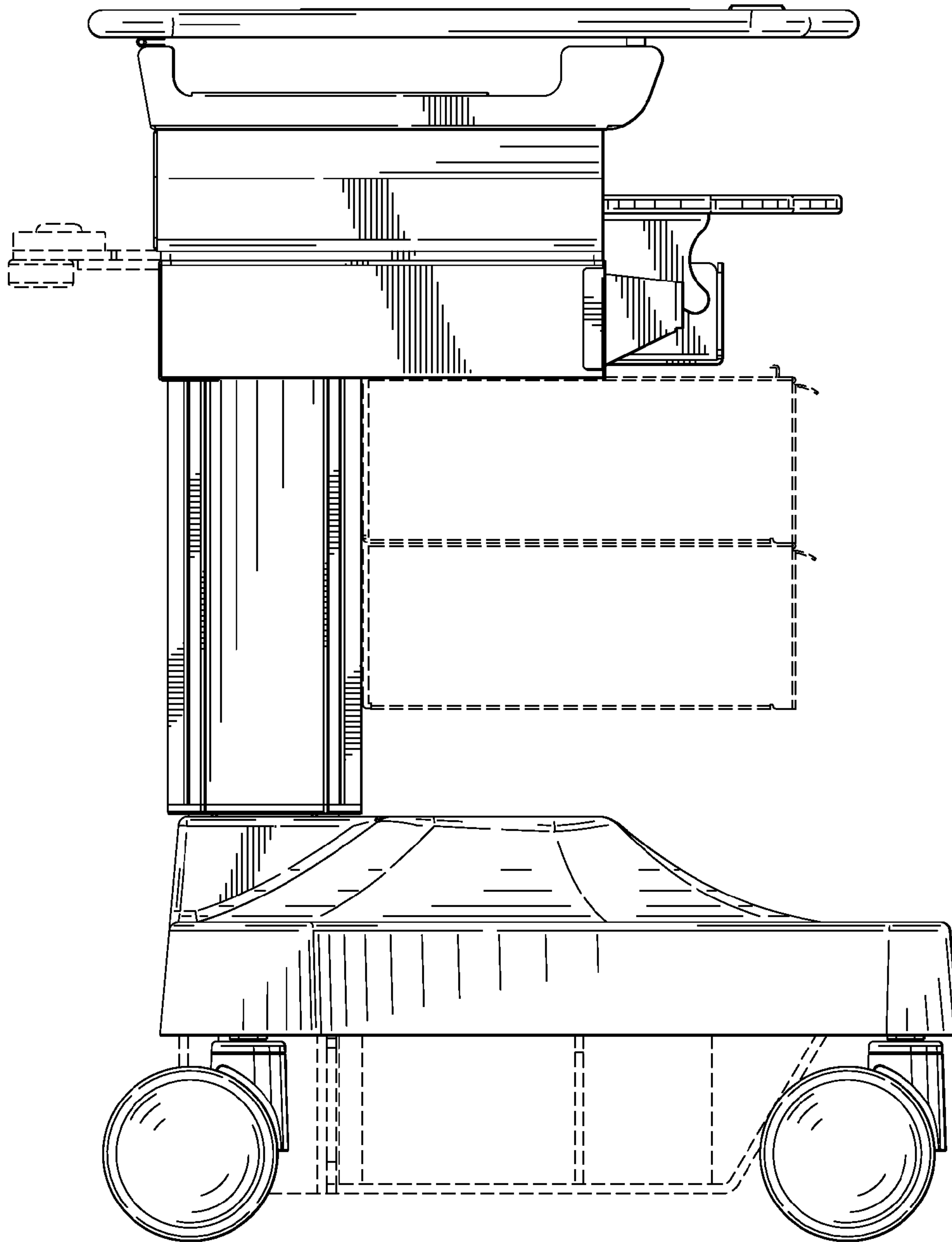


FIG. 5

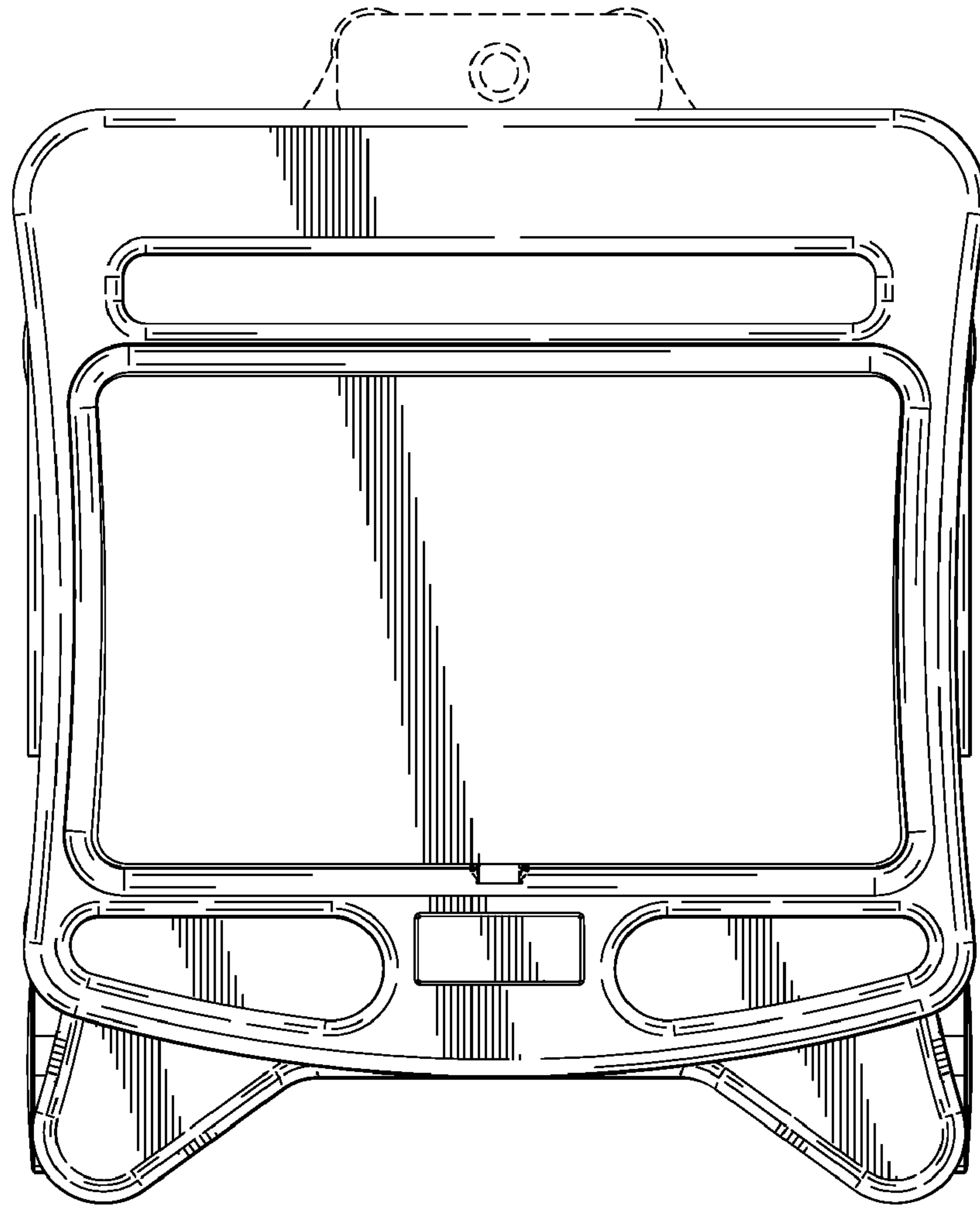


FIG. 6

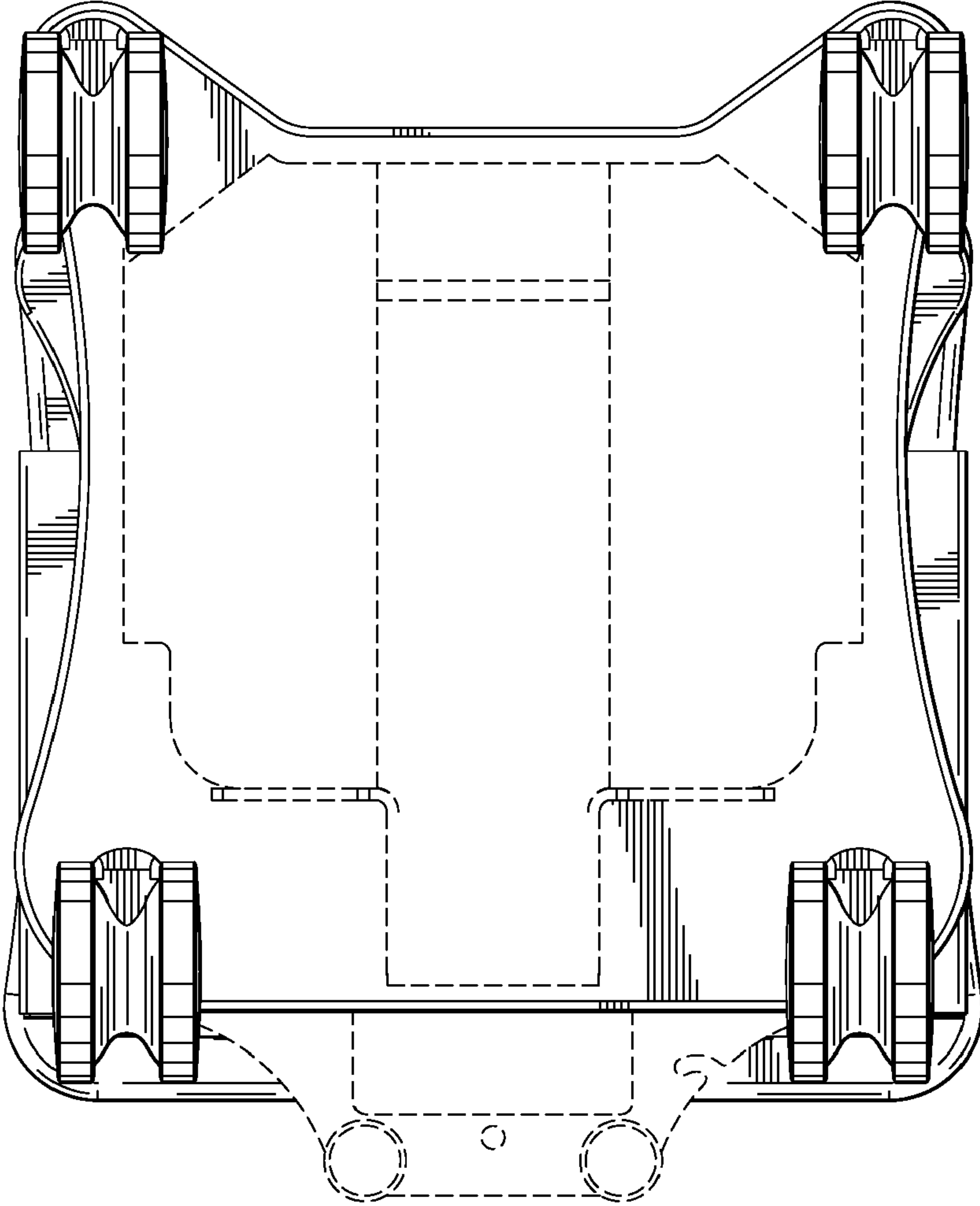


FIG. 7