



US00D637780S

(12) **United States Design Patent**
Yang et al.

(10) **Patent No.:** **US D637,780 S**
(45) **Date of Patent:** **** May 10, 2011**

(54) **TRASH CAN**

(75) Inventors: **Frank Yang**, Rancho Palos Verdes, CA (US); **Tzu-Hao Wei**, Hacienda Heights, CA (US); **Myk Lum**, Irvine, CA (US); **Won Song**, Tustin, CA (US)

(73) Assignee: **simplehuman, LLC**, Torrance, CA (US)

(**) Term: **14 Years**

(21) Appl. No.: **29/362,099**

(22) Filed: **May 20, 2010**

(51) **LOC (9) Cl.** **09-09**

(52) **U.S. Cl.** **D34/5**

(58) **Field of Classification Search** D34/5,
D34/6, 1, 7; 220/908, 908.1, 911, 913; 248/95,
248/97, 99, 100

See application file for complete search history.

(56) **References Cited**

U.S. PATENT DOCUMENTS

D142,286 S * 8/1945 Mayer D34/5
4,638,968 A * 1/1987 Auten 248/97
D321,135 S * 10/1991 Bedell et al. D9/434

D337,189 S * 7/1993 Moder D34/5
5,263,672 A * 11/1993 He 248/97
D360,511 S * 7/1995 Kurtzman et al. D34/6
D484,291 S * 12/2003 Faden D34/5
D519,701 S * 4/2006 Trudeau D34/6
7,281,690 B2 * 10/2007 Kelley 248/97
2006/0032991 A1 * 2/2006 Gaines 248/97

* cited by examiner

Primary Examiner — Cynthia E Ramirez

(74) *Attorney, Agent, or Firm* — Monument IP Law Group

(57) **CLAIM**

The ornamental design for a trash can, as shown and described.

DESCRIPTION

FIG. 1 shows a front elevation view of a trash can showing our new design;

FIG. 2 shows a top view thereof.

FIG. 3 shows a bottom view thereof.

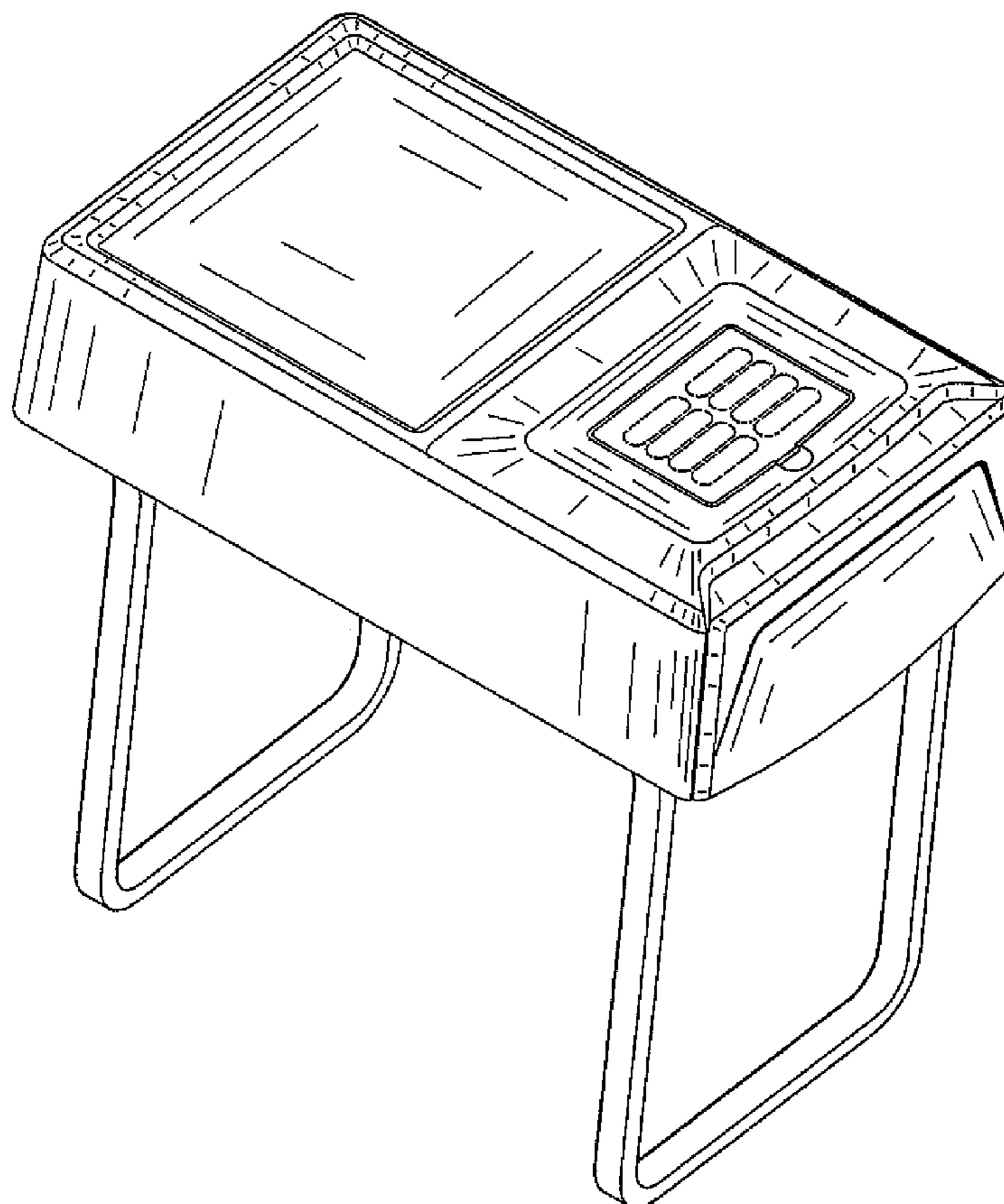
FIG. 4 shows a side view thereof.

FIG. 5 shows another side view thereof.

FIG. 6 shows a rear view thereof; and,

FIG. 7 shows a front view thereof.

1 Claim, 7 Drawing Sheets



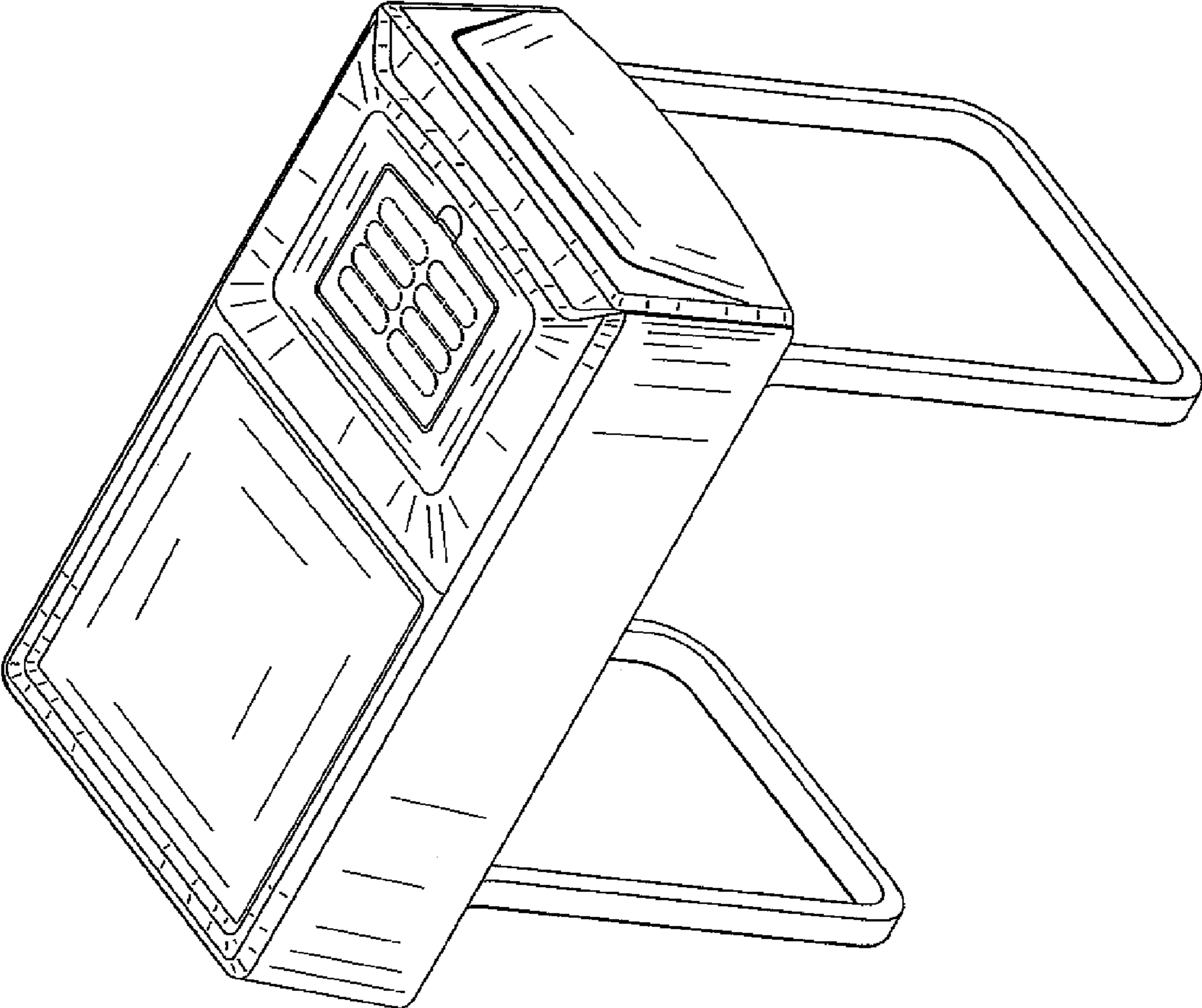


FIG. 1

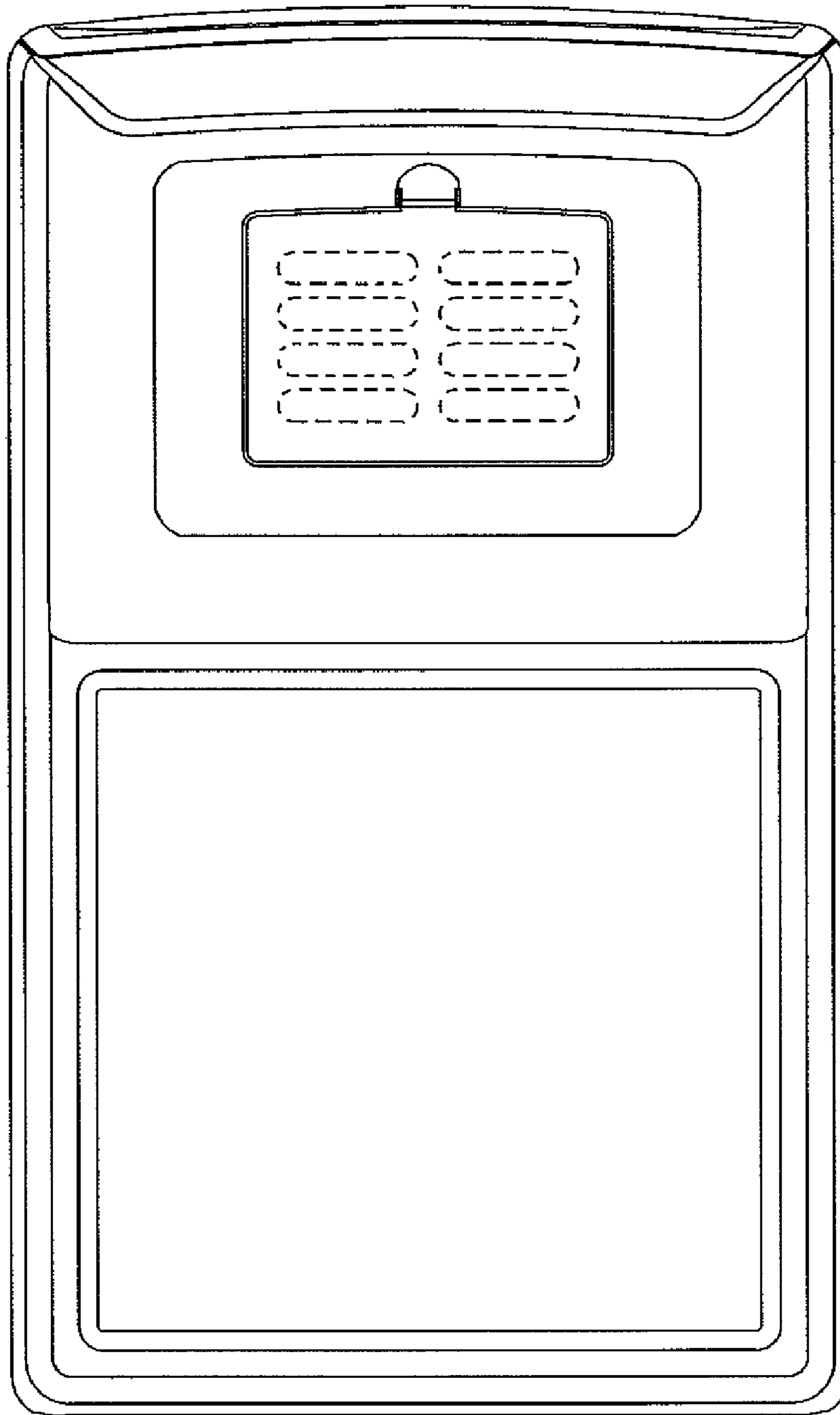


FIG. 2

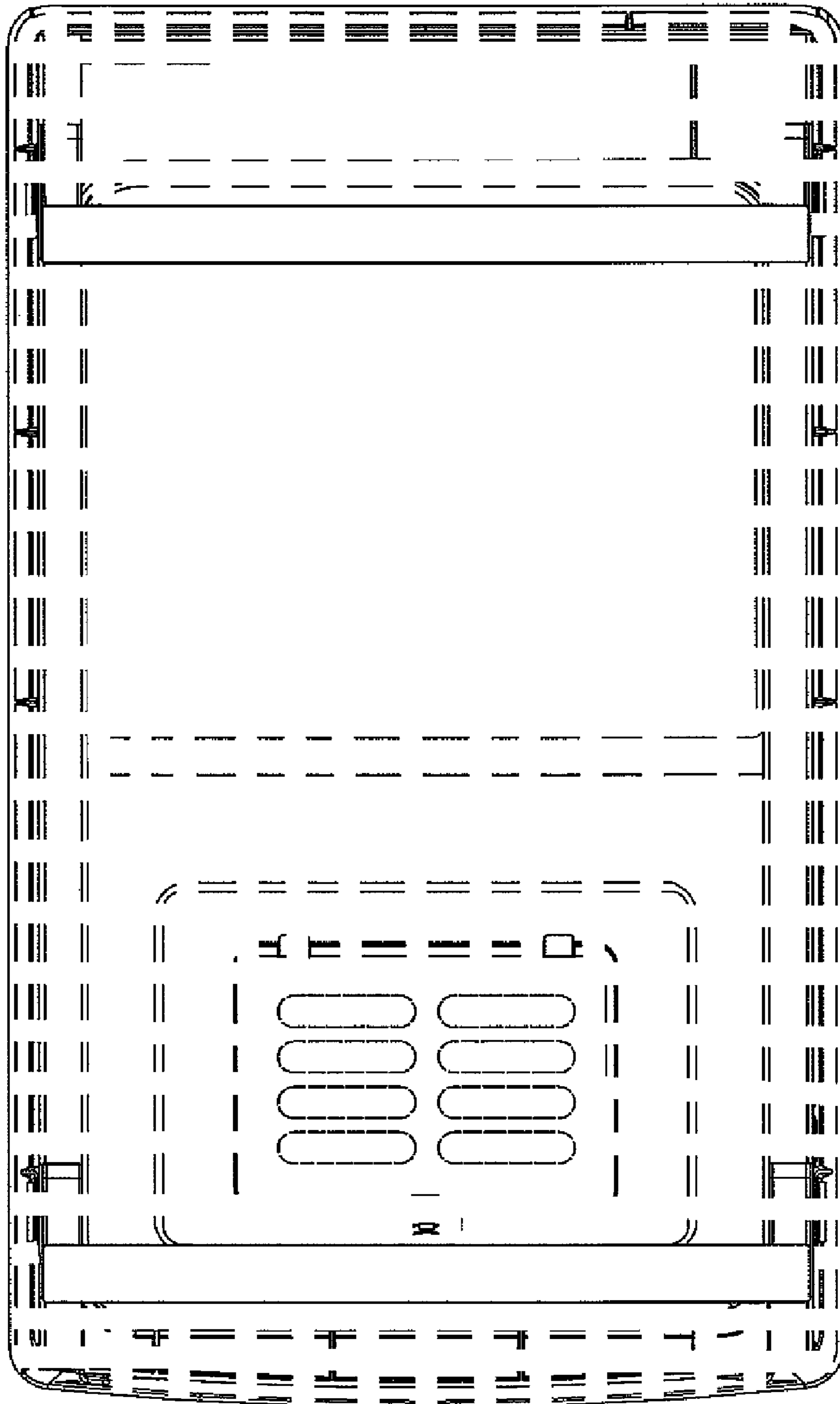
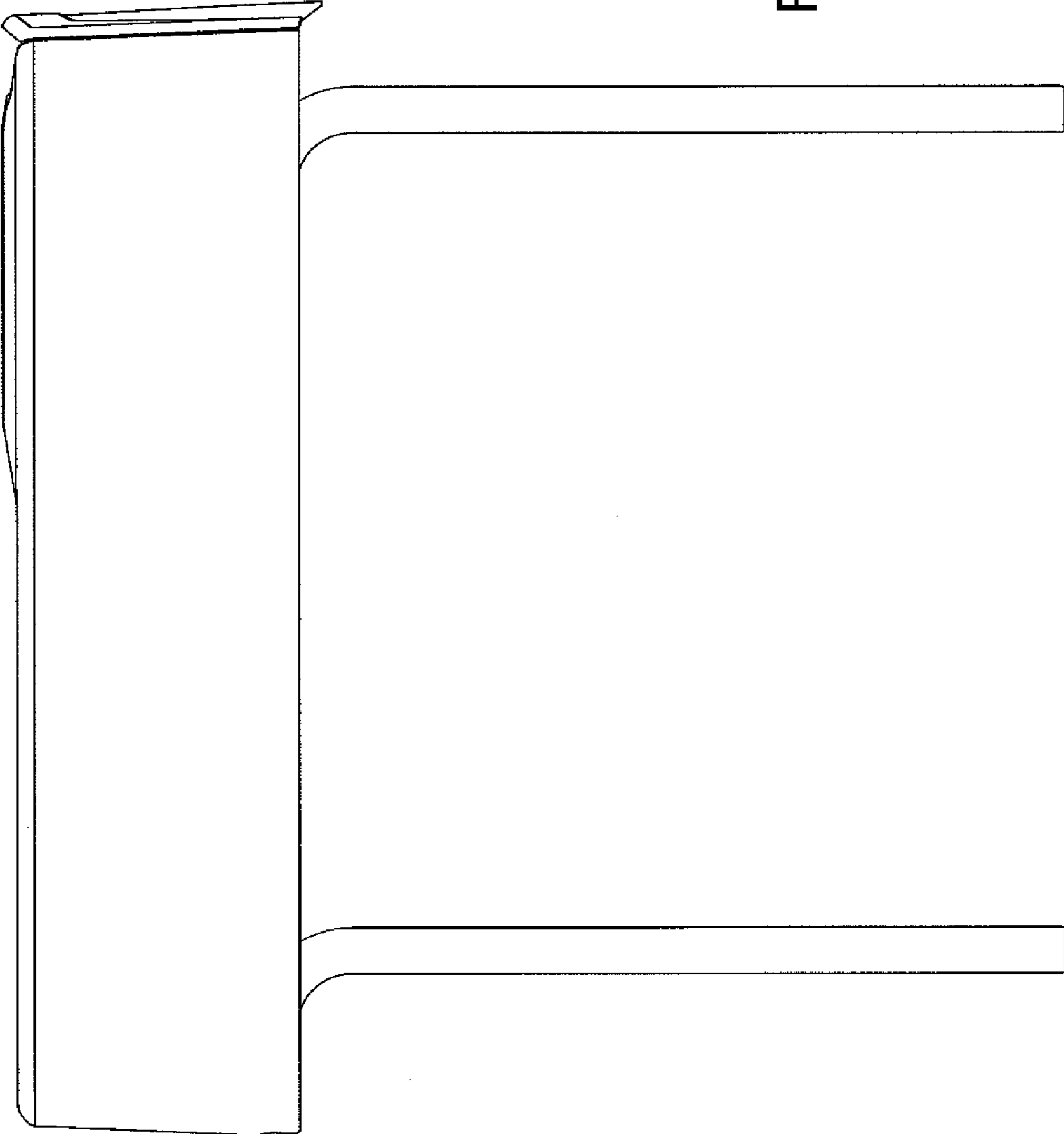


FIG. 3

FIG. 4



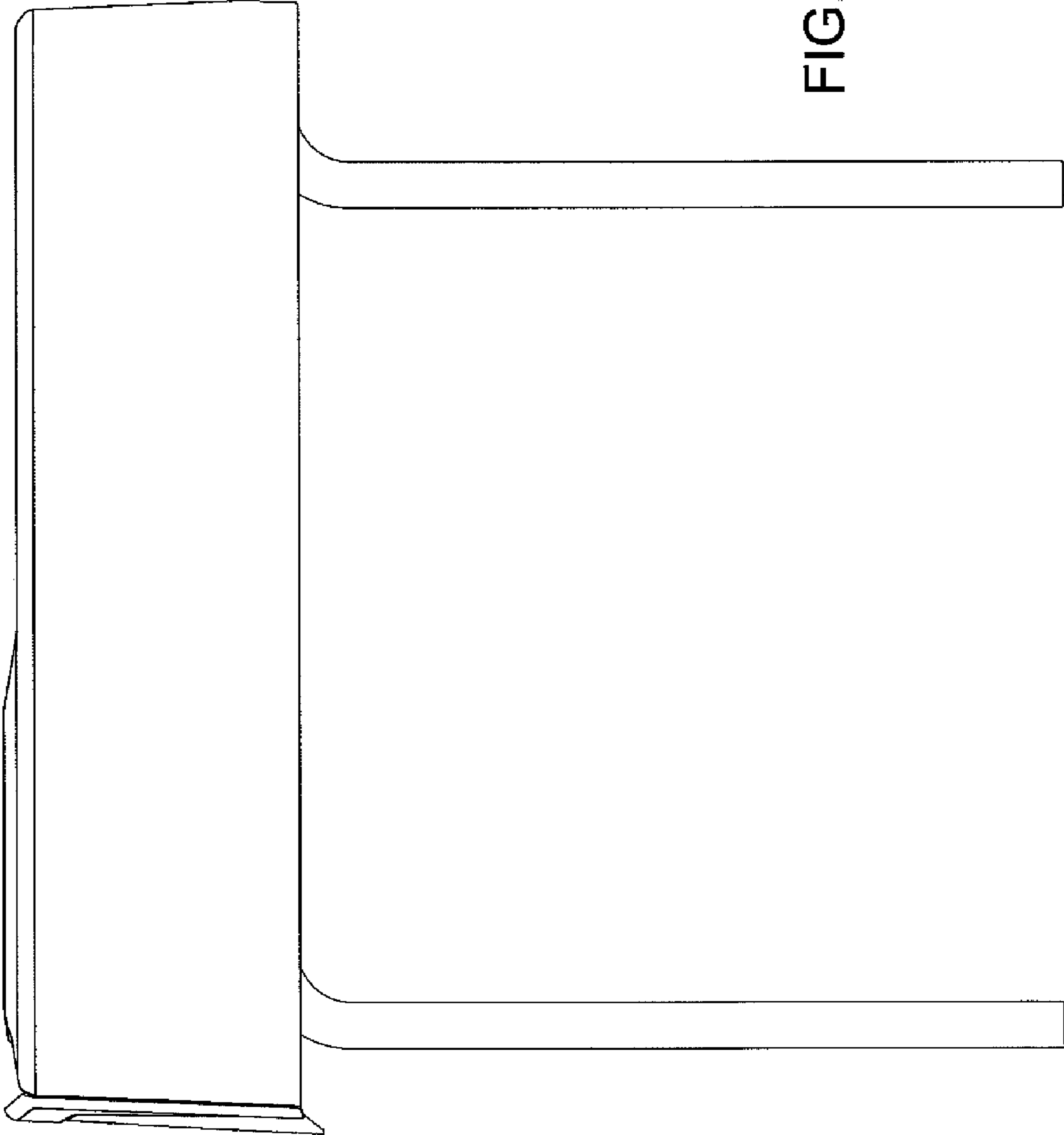


FIG. 5

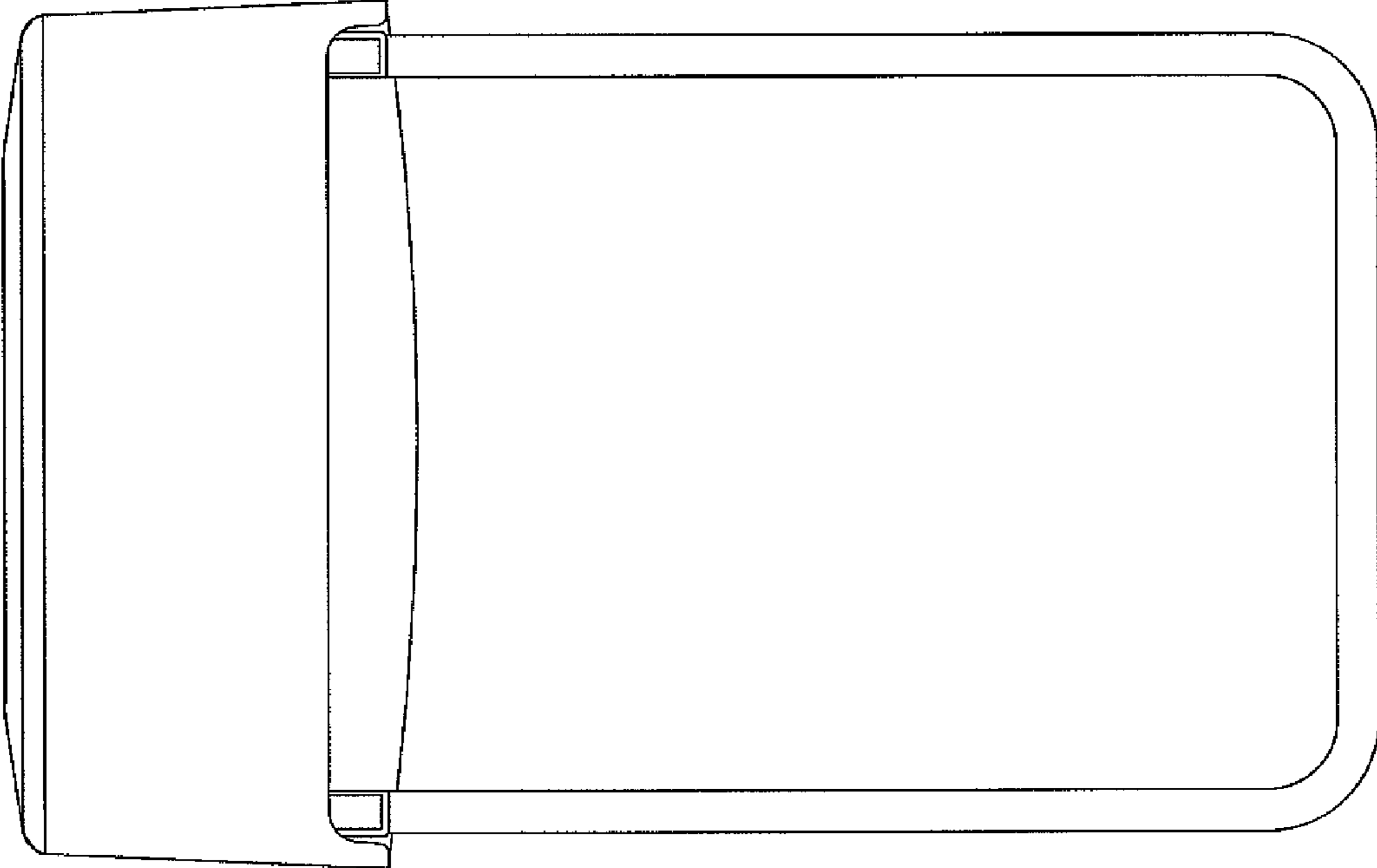


FIG. 6

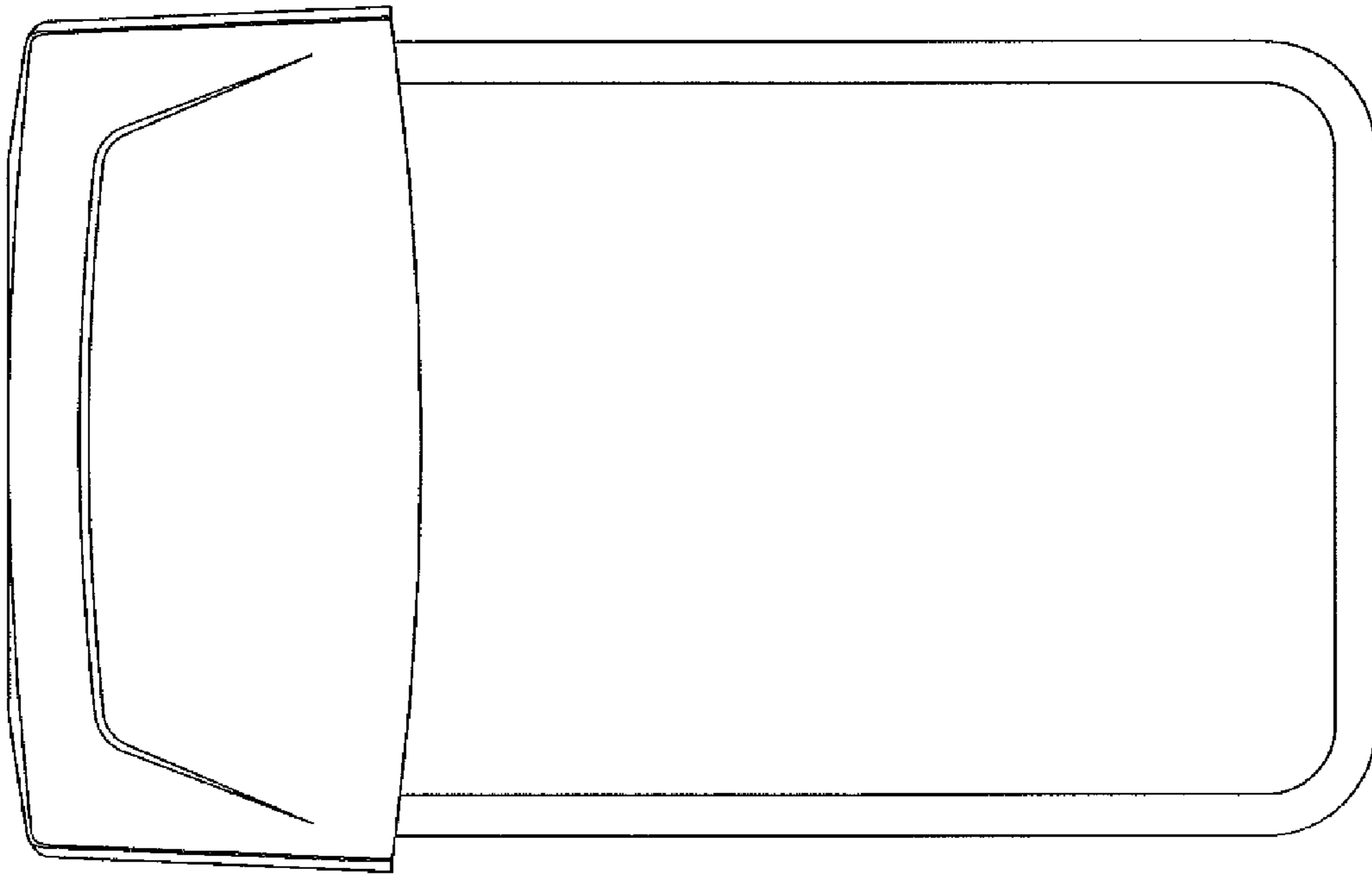


FIG. 7