



US00D637779S

(12) **United States Design Patent**  
**Bruneel**

(10) **Patent No.:** **US D637,779 S**

(45) **Date of Patent:** **\*\* May 10, 2011**

(54) **POOL VACUUM**

(76) **Inventor:** **Jean Julien Bruneel, Kowloon (HK)**

(\*\*) **Term:** **14 Years**

(21) **Appl. No.:** **29/361,586**

(22) **Filed:** **May 13, 2010**

(51) **LOC (9) Cl.** ..... **15-05**

(52) **U.S. Cl.** ..... **D32/31**

(58) **Field of Classification Search** ..... D32/1,  
D32/21; 15/1.7; 29/596; 137/114, 907,  
137/899; 210/167.1, 167.12, 167.15, 167.16,  
210/167.18; 134/21; 180/306; 901/1; D15/7  
See application file for complete search history.

(56) **References Cited**

**U.S. PATENT DOCUMENTS**

5,542,142	A	*	8/1996	Young	.....	15/1.7
D430,364	S	*	8/2000	Supra	.....	D32/1
D436,700	S	*	1/2001	Forbes et al.	.....	D32/25
D485,652	S	*	1/2004	Erlich	.....	D32/21
D487,826	S	*	3/2004	Supra	.....	D32/25
D518,253	S	*	3/2006	Erlich et al.	.....	D32/18

D522,191	S	*	5/2006	Erlich	.....	D32/18
D522,700	S	*	6/2006	Rademeyer	.....	D32/15
7,437,790	B1	*	10/2008	Ajello	.....	15/1.7
D581,607	S	*	11/2008	van der Meijden et al.	...	D32/15
D611,664	S	*	3/2010	Sebor	.....	D32/15

\* cited by examiner

*Primary Examiner* — Ruth McInroy

(74) *Attorney, Agent, or Firm* — George G. Wang; Bei & Ocean

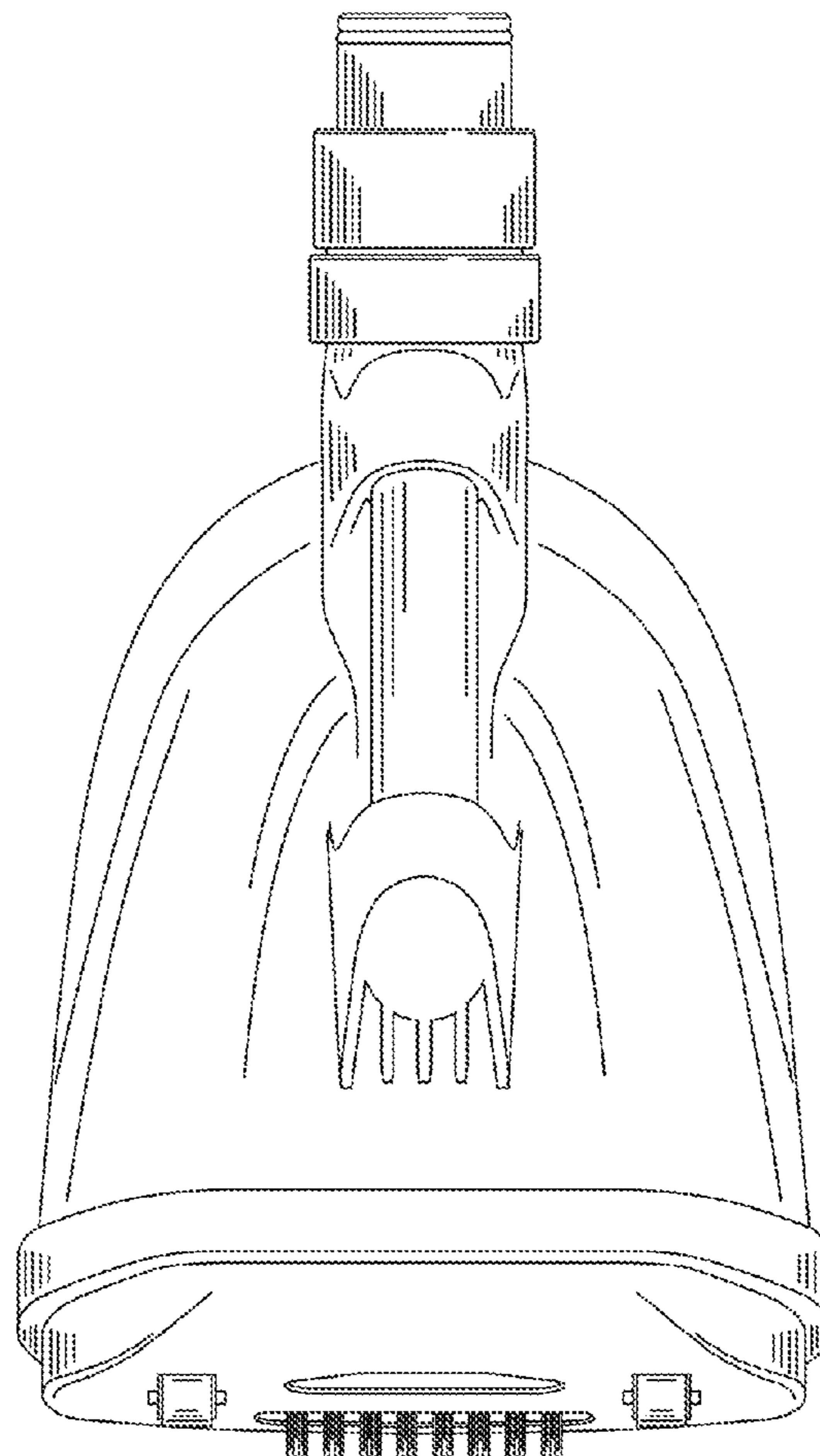
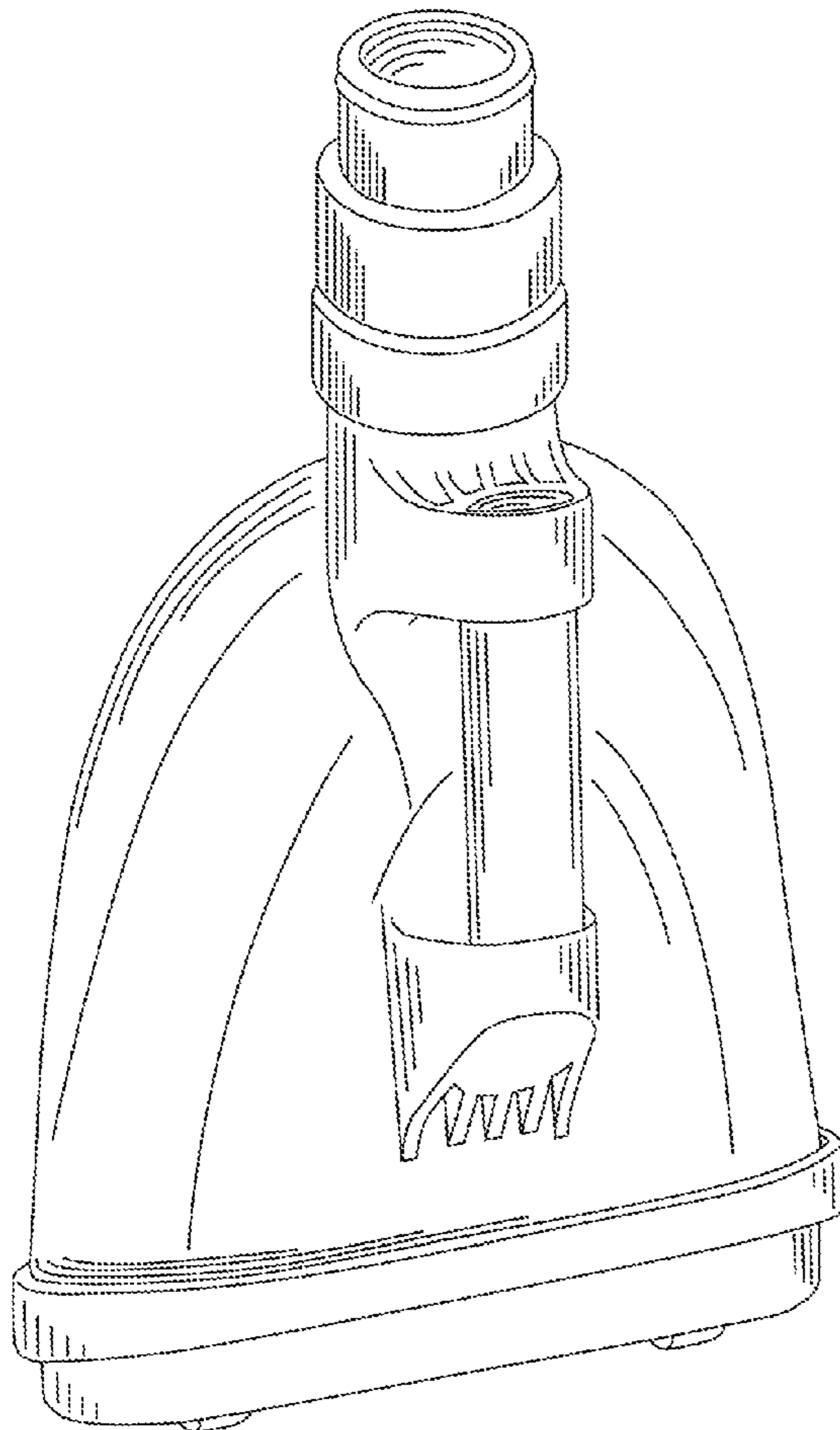
(57) **CLAIM**

The ornamental design for a pool vacuum, as shown and described.

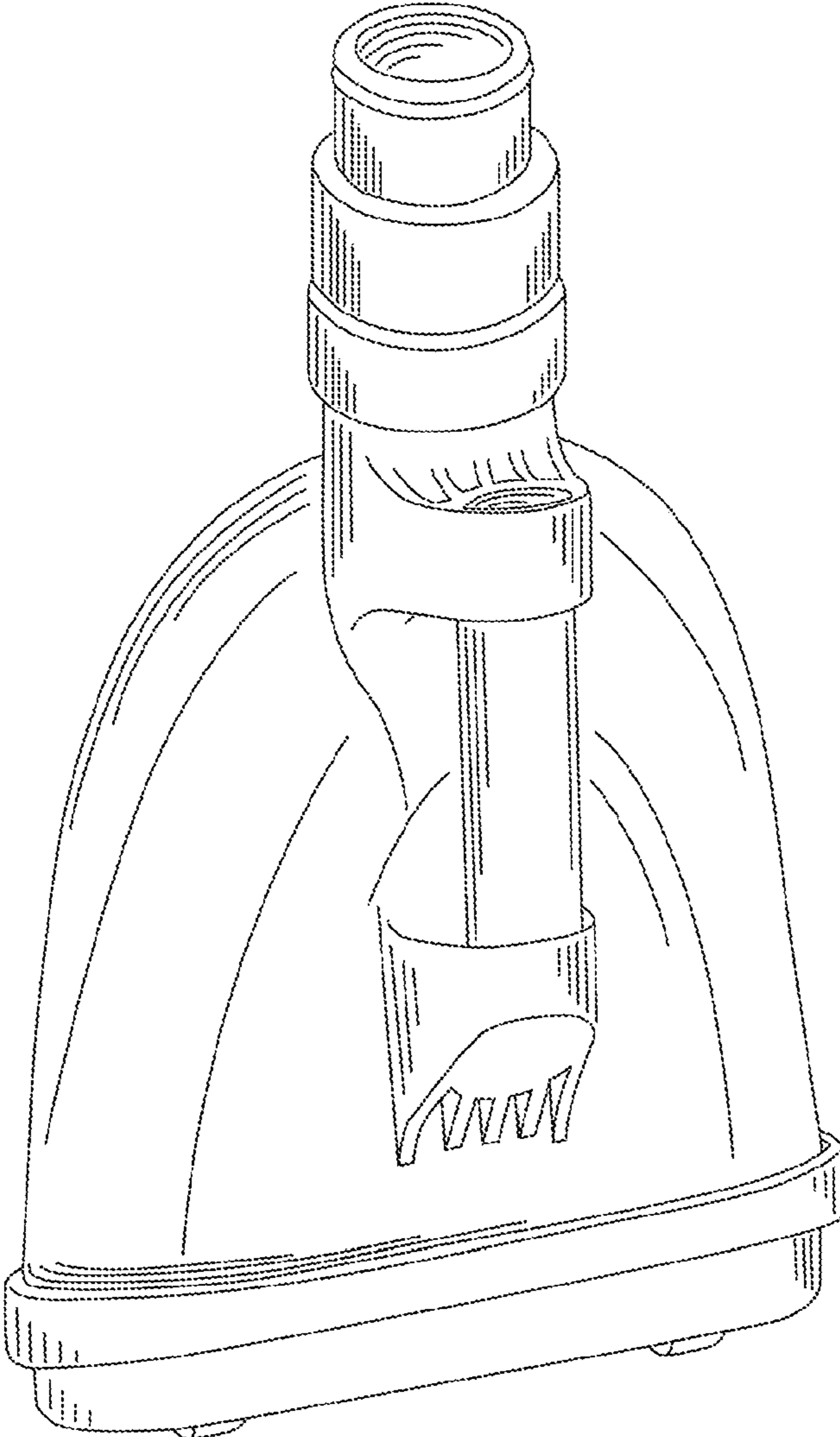
**DESCRIPTION**

FIG. 1 is a perspective view of the pool vacuum showing the new design;  
FIG. 2 is a front view thereof;  
FIG. 3 is a rear view thereof;  
FIG. 4 is a top view thereof;  
FIG. 5 is a bottom view thereof;  
FIG. 6 is a left side view thereof; and,  
FIG. 7 is a right side view thereof.

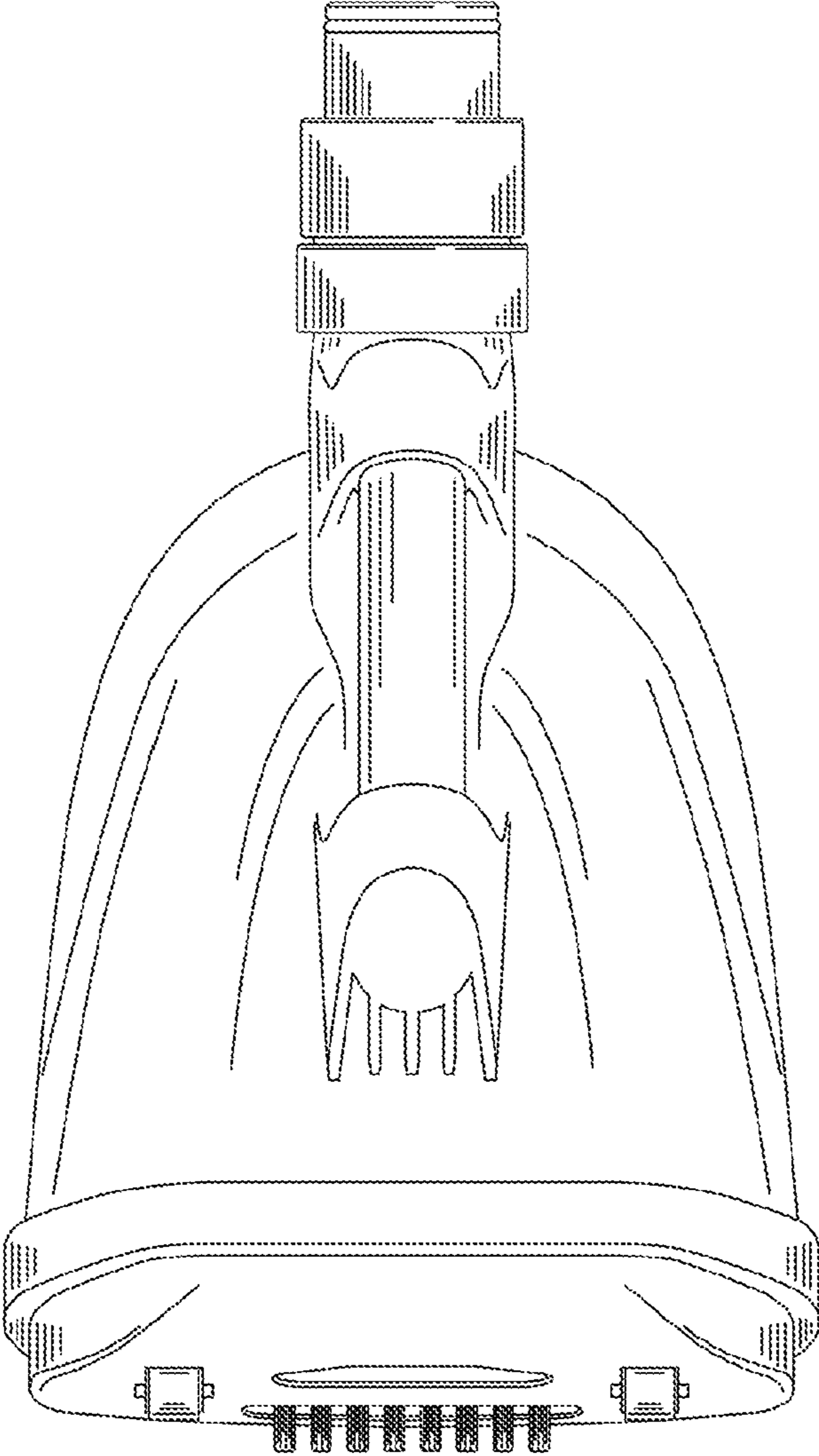
**1 Claim, 7 Drawing Sheets**



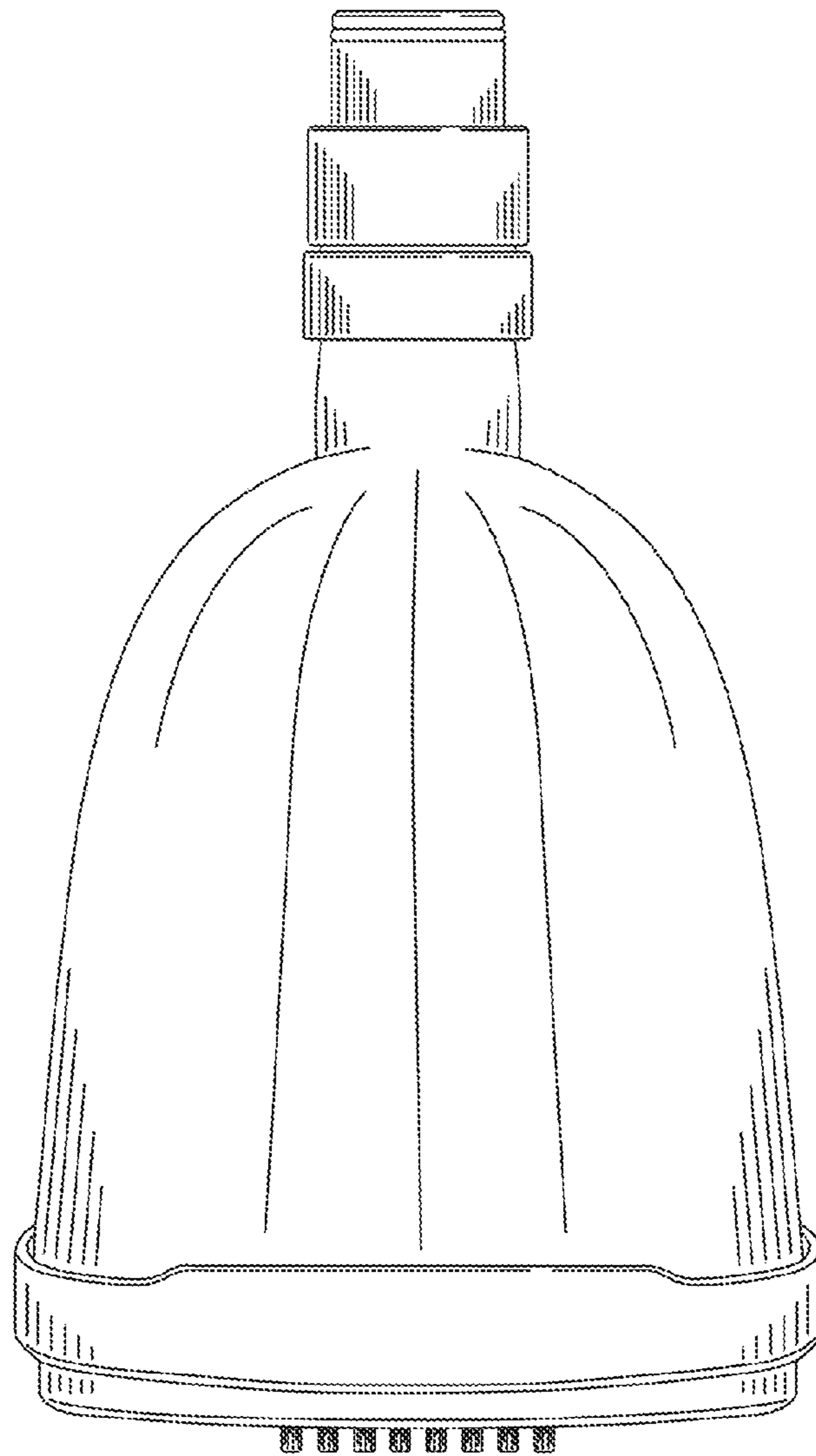
**FIG. 1**



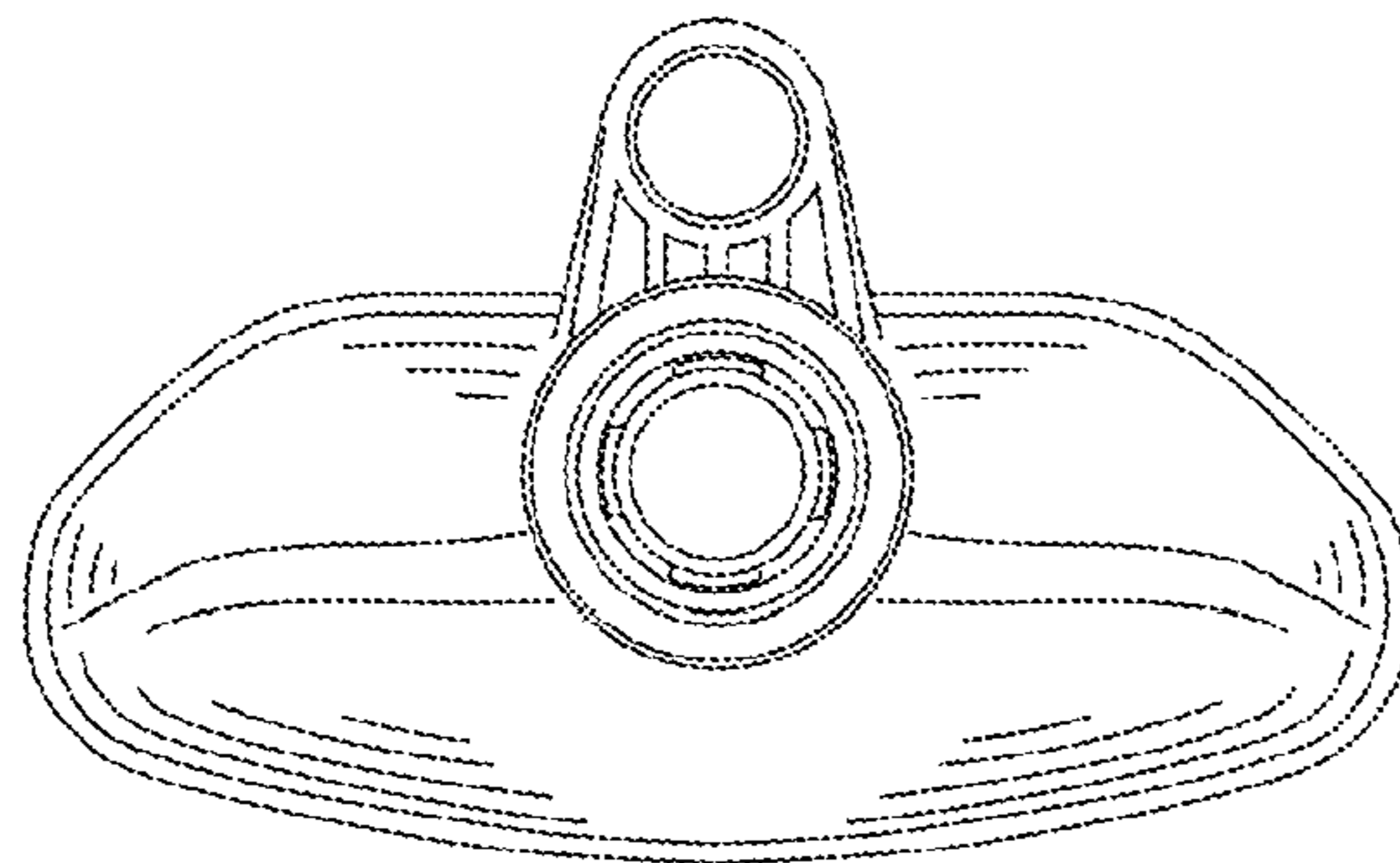
**FIG. 2**



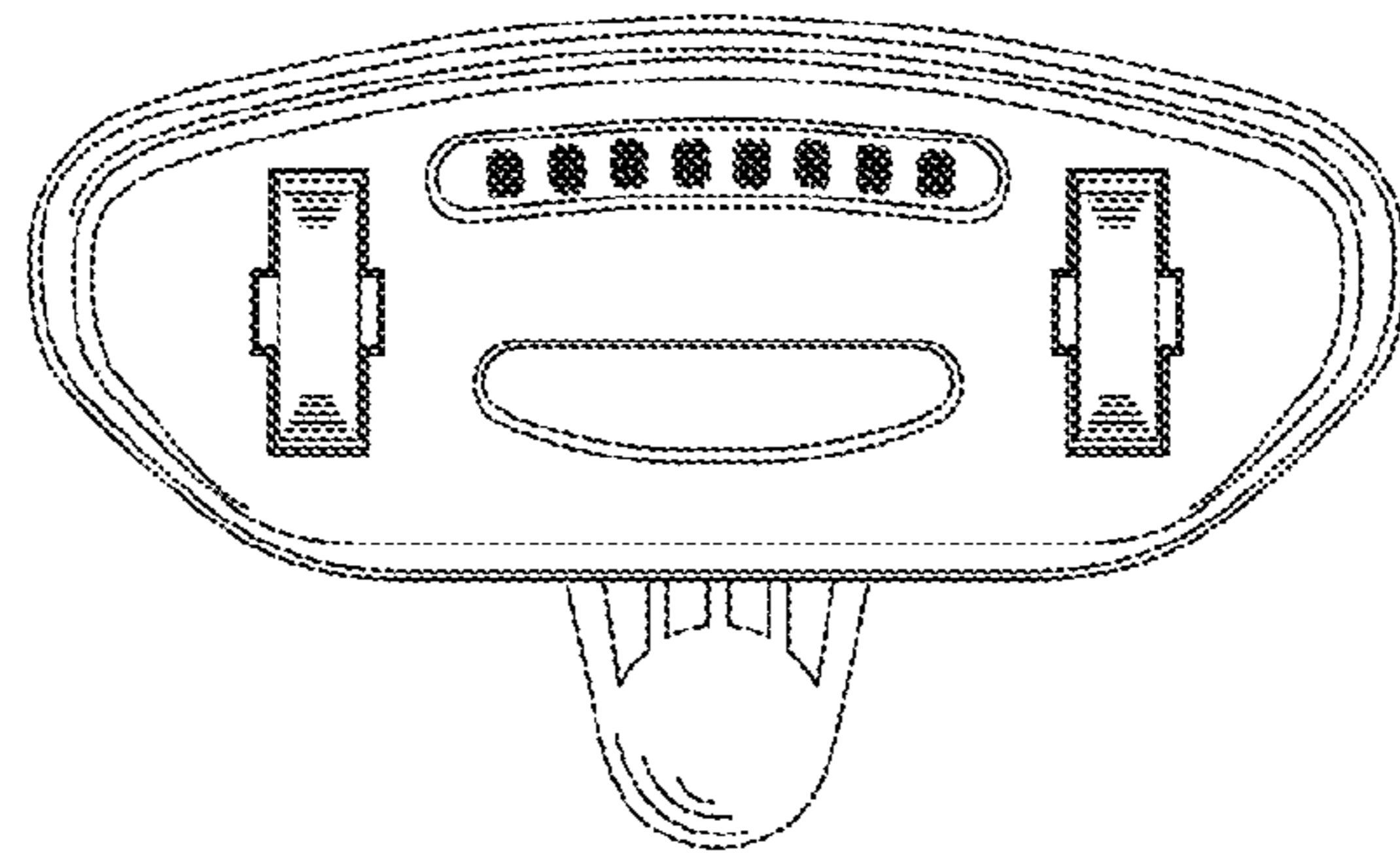
**FIG. 3**



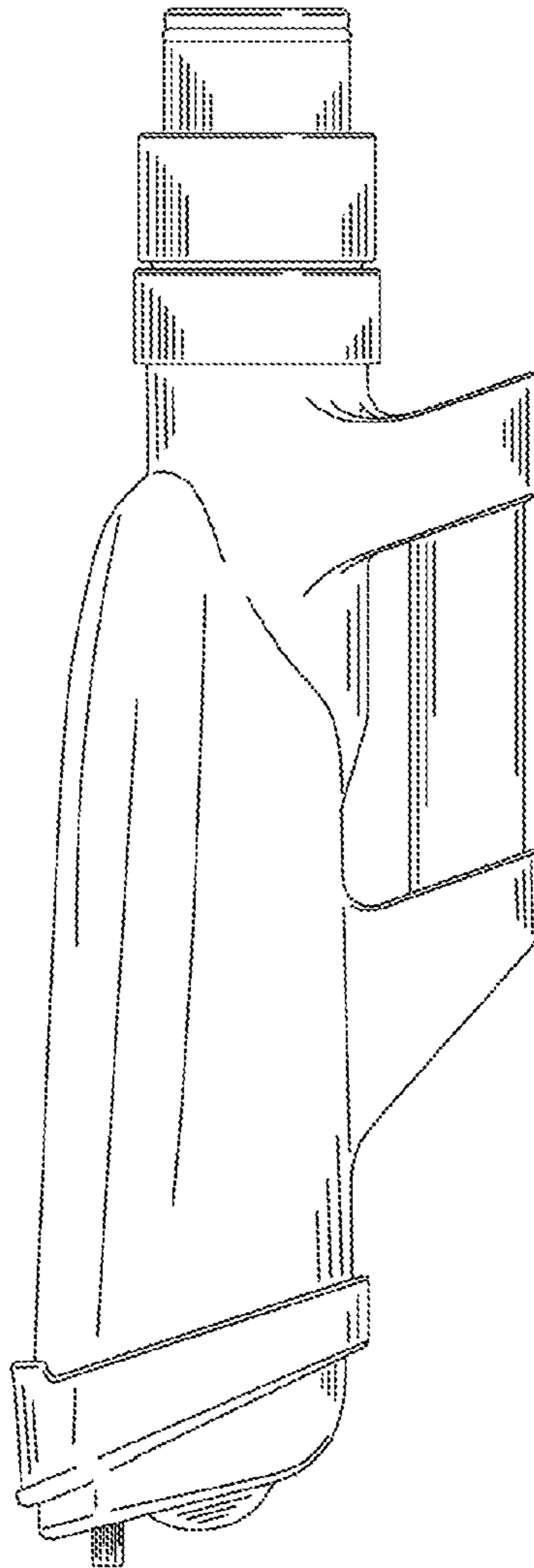
**FIG. 4**



**FIG. 5**



**FIG. 6**



**FIG. 7**

