



US00D637777S

(12) **United States Design Patent**
Fiorino et al.

(10) **Patent No.:** **US D637,777 S**

(45) **Date of Patent:** **** May 10, 2011**

(54) **VACUUM CLEANER**

(75) Inventors: **Klaus Fiorino**, Colere (IT); **Alexander Anthony Denny Bassett**, Kenilworth (GB); **Steven Xue**, JiangSu (CN)

(73) Assignee: **Hoover Limited**, Pentrebach (GB)

(**) Term: **14 Years**

(21) Appl. No.: **29/317,206**

(22) Filed: **Apr. 24, 2008**

(30) **Foreign Application Priority Data**

Dec. 11, 2007 (EM) 000824511

(51) **LOC (9) Cl.** **15-05**

(52) **U.S. Cl.** **D32/31**

(58) **Field of Classification Search** D32/21-22,
D32/31, 34, 25; 15/347, 350-353, 361, 410-411,
15/335, 366, 229.2, 246.2, 327.1-327.2;
55/366, 429, 315, 356, 372

See application file for complete search history.

(56) **References Cited**

U.S. PATENT DOCUMENTS

| | | | |
|--------------|---------|-----------------------|--------|
| D435,945 S * | 1/2001 | Ikeno et al. | D32/22 |
| D510,465 S * | 10/2005 | Takahashi et al. | D32/22 |
| D535,070 S * | 1/2007 | Shin | D32/22 |
| D587,870 S * | 3/2009 | Baek et al. | D32/22 |
| D591,917 S * | 5/2009 | Kent | D32/22 |

* cited by examiner

Primary Examiner — Ruth McInroy

(74) *Attorney, Agent, or Firm* — Gordon & Jacobson, PC

(57) **CLAIM**

The ornamental design for a body of a vacuum cleaner, as shown and described.

DESCRIPTION

FIG. 1 is a front view of a vacuum cleaner showing our new design;

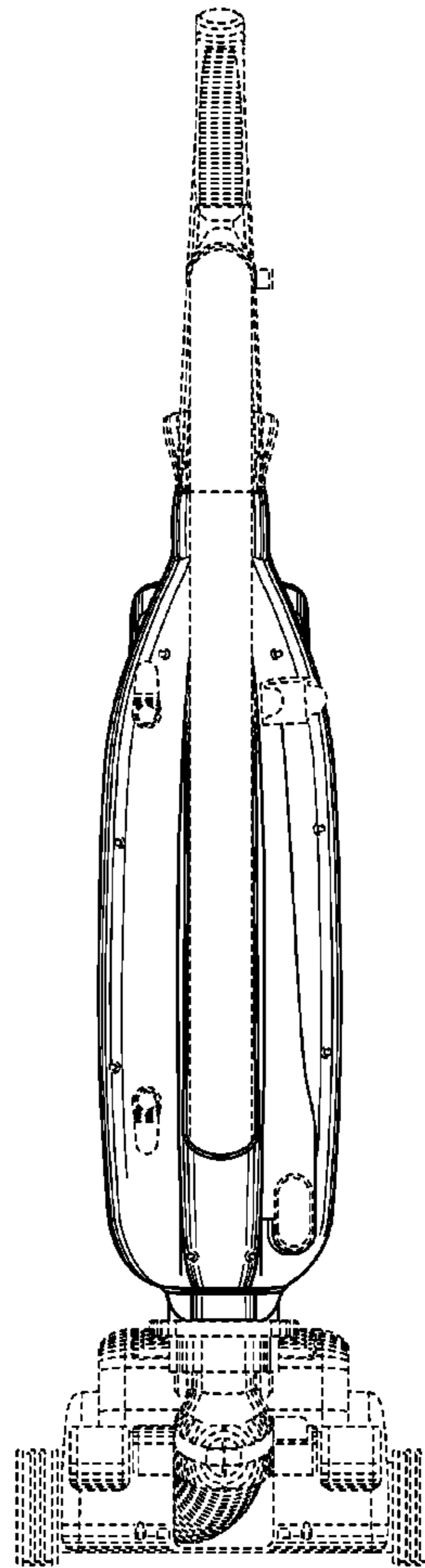
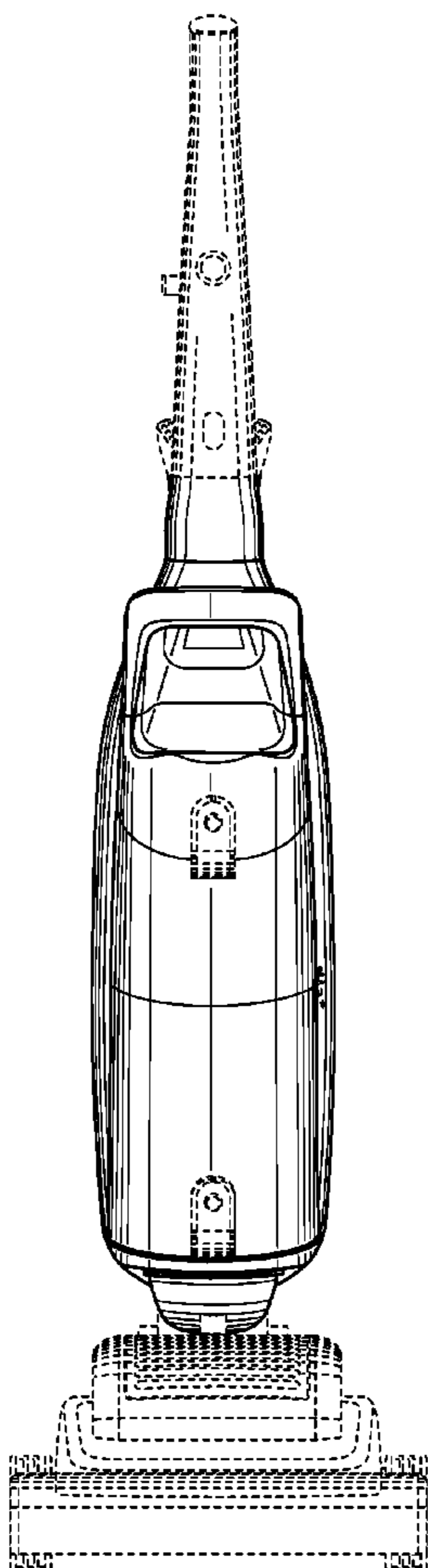
FIG. 2 is a right side view thereof, the left side being a mirror image;

FIG. 3 is a rear view thereof; and,

FIG. 4 is a top view thereof.

The details shown in broken lines form no part of the claimed design.

1 Claim, 4 Drawing Sheets



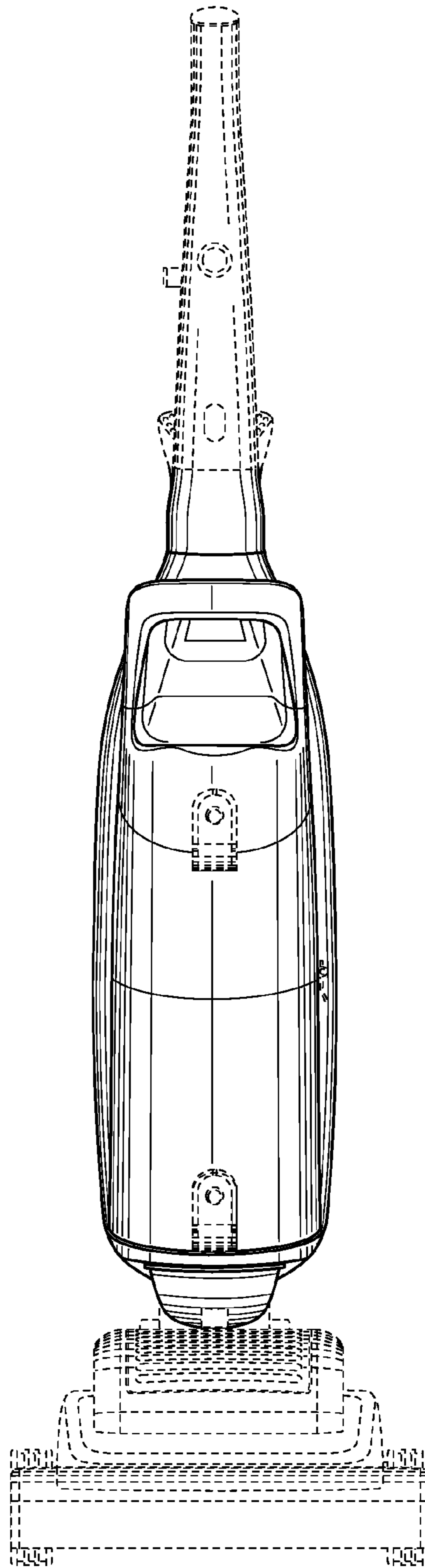


FIG. 1

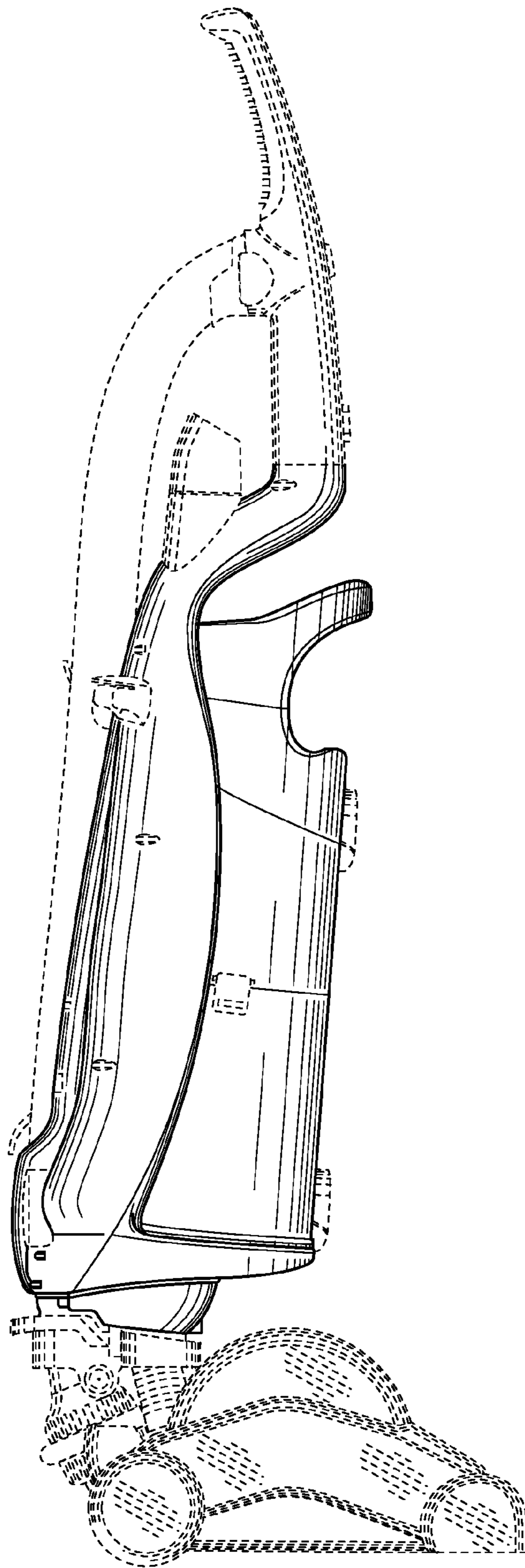


FIG. 2

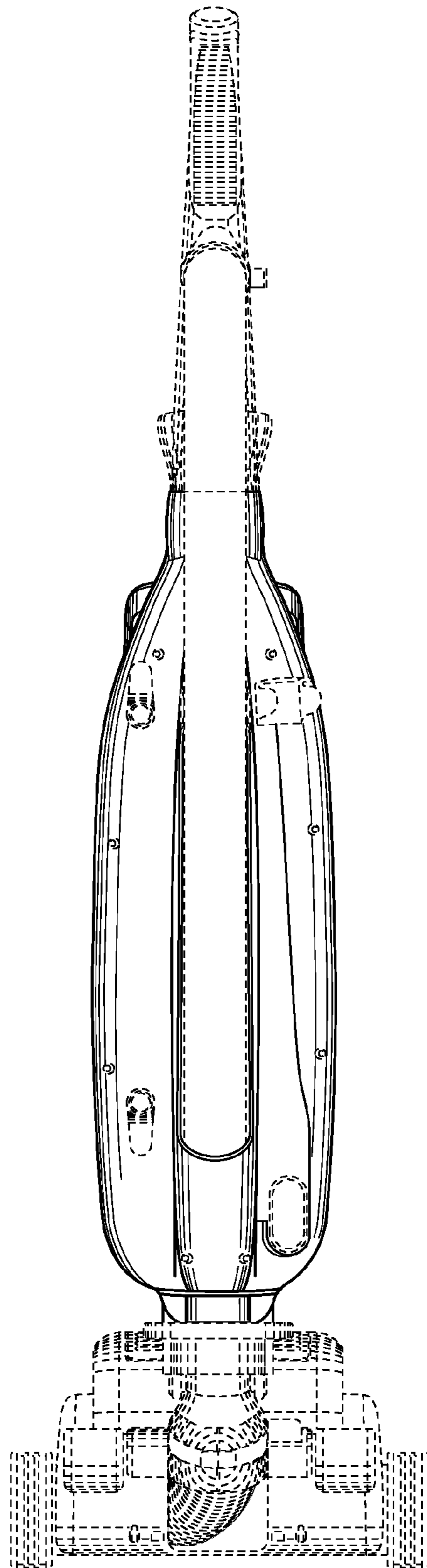


FIG. 3

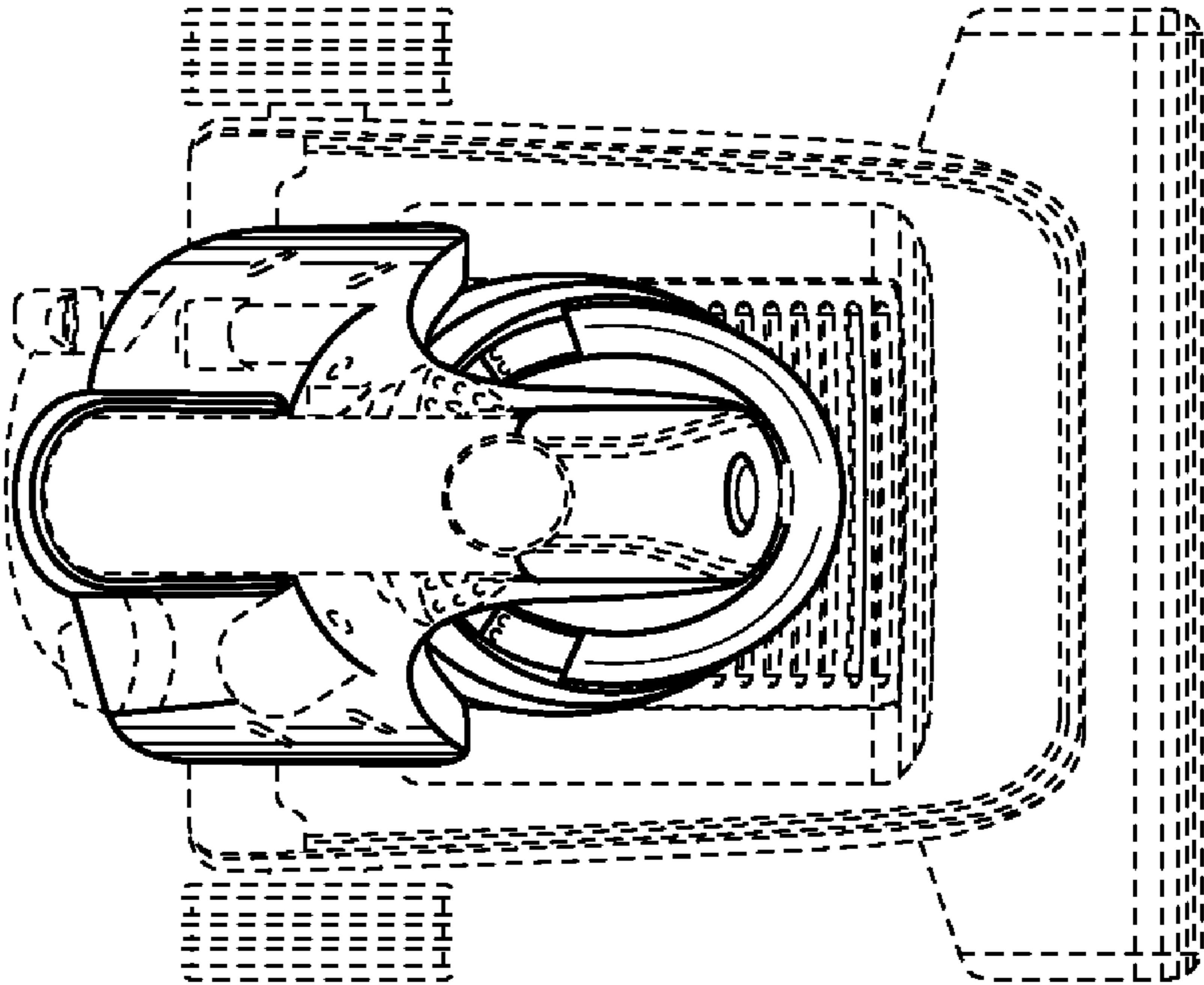


FIG. 4