



US00D637776S

(12) **United States Design Patent**
Tinius

(10) **Patent No.:** **US D637,776 S**

(45) **Date of Patent:** **** May 10, 2011**

(54) **BLOWING MACHINE**

(75) Inventor: **Michael Tinius**, Elchingen (DE)

(73) Assignee: **Andreas Stihl AG & Co. KG**,
Waiblingen (DE)

(**) Term: **14 Years**

(21) Appl. No.: **29/320,483**

(22) Filed: **Jun. 27, 2008**

(30) **Foreign Application Priority Data**

Dec. 28, 2007 (EM) 000859103-0006

(51) **LOC (9) Cl.** **15-05**

(52) **U.S. Cl.** **D32/25**

(58) **Field of Classification Search** D32/1,
D32/15-18, 21, 25; 15/300.1, 307.5, 344-345,
15/405, 410, 414, 415.1; D23/213, 383
See application file for complete search history.

(56) **References Cited**

U.S. PATENT DOCUMENTS

D147,125 S *	7/1947	Harvout	D32/32
D258,908 S *	4/1981	Satoh	D23/383
D266,587 S *	10/1982	Satoh	D23/383
D279,319 S *	6/1985	McCloskey et al.	D32/15
D375,822 S *	11/1996	Lessig et al.	D32/32
D393,506 S *	4/1998	Ohi et al.	D32/15
D400,322 S *	10/1998	Webster et al.	D32/15
D405,570 S *	2/1999	Broecking	D32/32
6,442,790 B1 *	9/2002	Svoboda et al.	15/330
6,468,053 B2 *	10/2002	Wolpert	417/312
D468,874 S *	1/2003	Nawrozki et al.	D32/15
D469,931 S *	2/2003	Nawrozki et al.	D32/15
6,552,891 B1 *	4/2003	Prach	361/212
D480,844 S *	10/2003	Noma et al.	D32/15
6,629,818 B2 *	10/2003	Svoboda	415/121.1
6,843,639 B2 *	1/2005	Schutt	415/212.1
D526,750 S *	8/2006	Ito	D32/15

D529,243 S *	9/2006	Noma et al.	D32/15
D558,939 S *	1/2008	Yuasa	D32/15
D569,055 S *	5/2008	Bochmann et al.	D32/15
D577,113 S *	9/2008	Tinius	D23/383
D583,925 S *	12/2008	Tinius	D23/383
D584,461 S *	1/2009	Sweeney	D32/15
7,476,091 B2 *	1/2009	Saitou et al.	417/423.1
D594,961 S *	6/2009	Tinius	D23/383

* cited by examiner

Primary Examiner — T. Chase Nelson

Assistant Examiner — Kathleen M Sims

(74) *Attorney, Agent, or Firm* — McGuire Woods LLP

(57) **CLAIM**

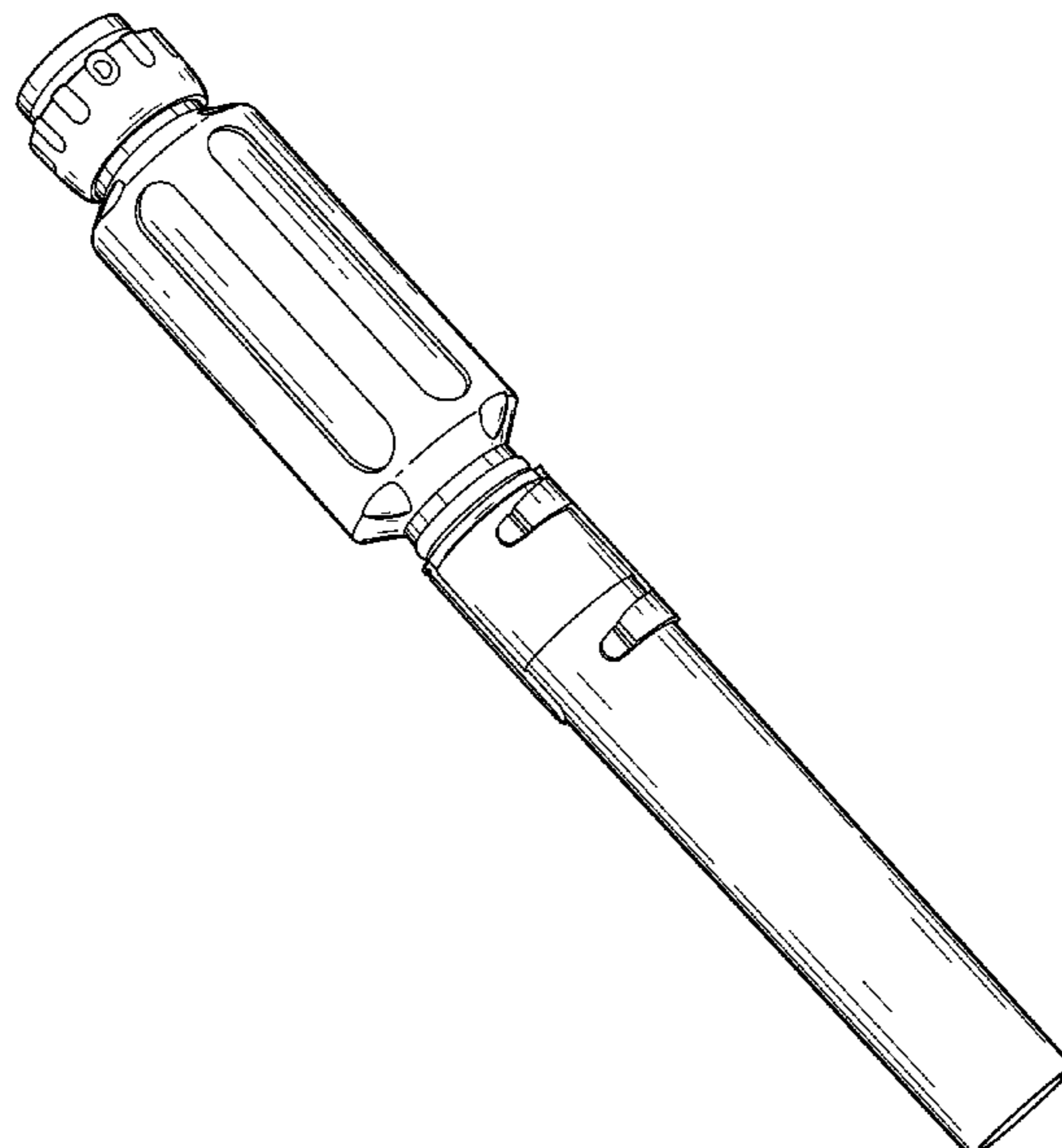
I claim the ornamental design for a blowing machine, as shown and described.

DESCRIPTION

FIG. 1 is a bottom view of the blowing machine;
 FIG. 2 is a top view of the blowing machine shown in FIG. 1;
 FIG. 3 is a left side view of the blowing machine shown in FIG. 1;
 FIG. 4 is a right side view of the blowing machine shown in FIG. 1;
 FIG. 5 is a front view of the blowing machine shown in FIG. 1;
 FIG. 6 is a back view of the blowing machine shown in FIG. 1; and,
 FIG. 7 is a right side view of the blowing machine of FIG. 1 shown in its environment.

Any surfaces of the design not shown, including interior surfaces, form no part of the claimed invention. The broken line showings in FIGS. 5 and 6 form no part of the claims design. The broken line showing of a blowing machine body in FIG. 7 is included for the purpose of environmental portions of the blowing machine and forms no part of the claimed design.

1 Claim, 7 Drawing Sheets



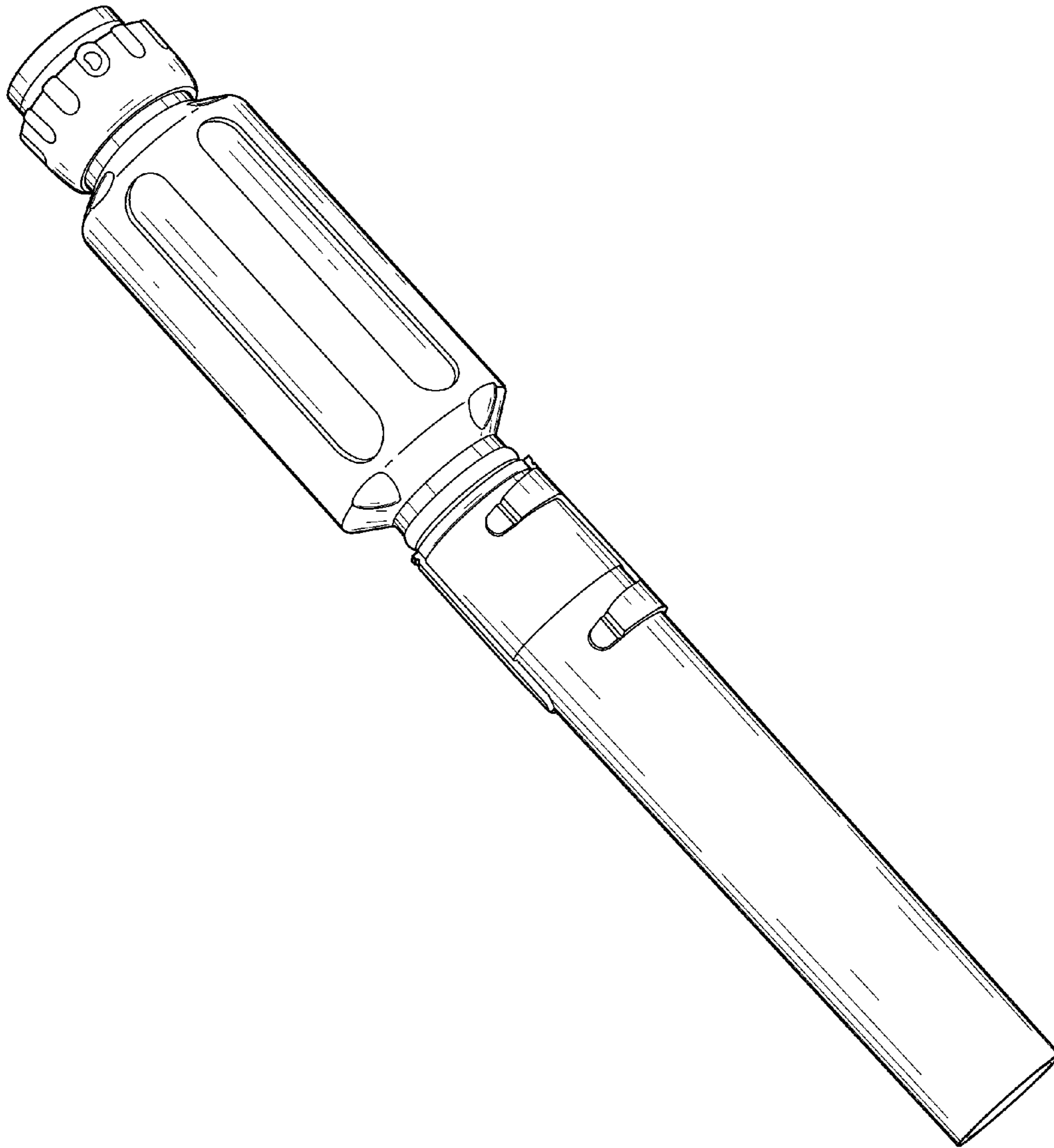


FIG. 1

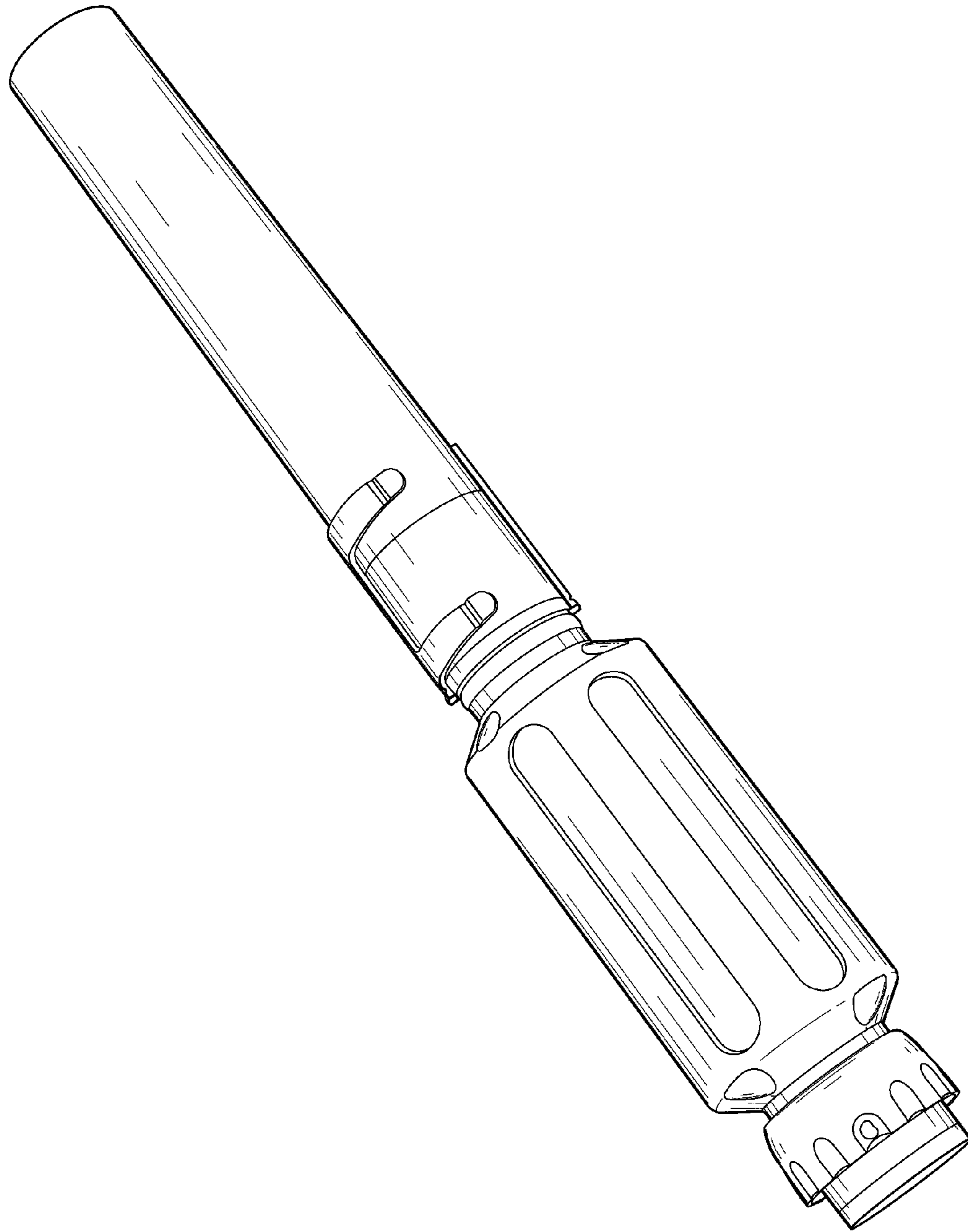


FIG. 2

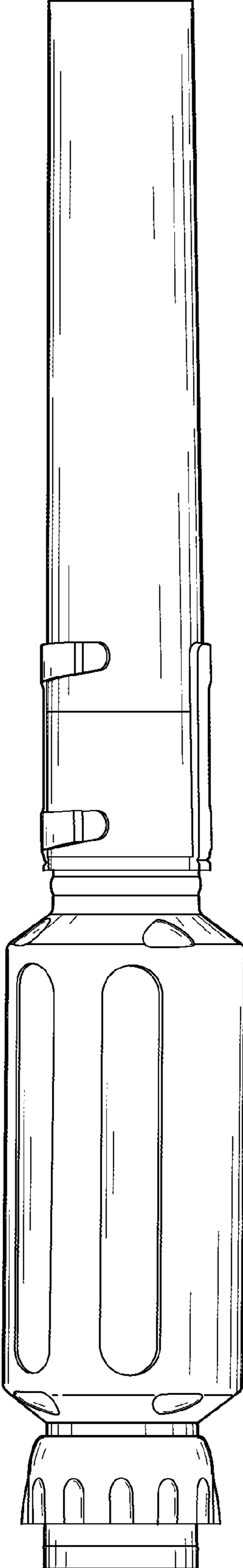


FIG. 3

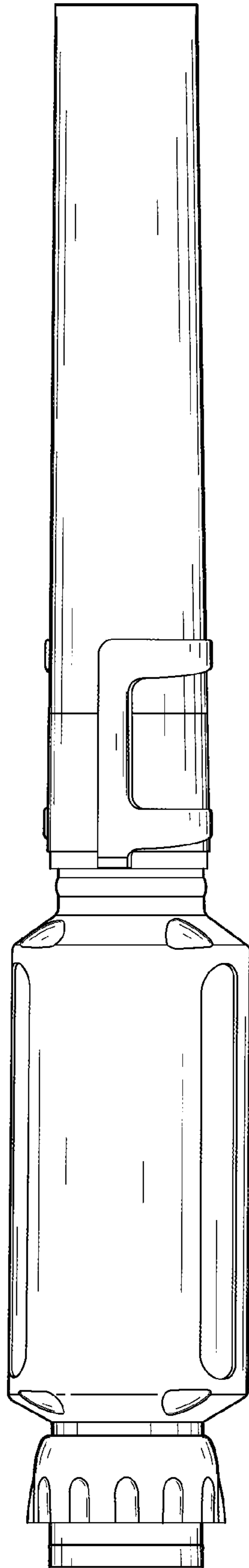


FIG. 4

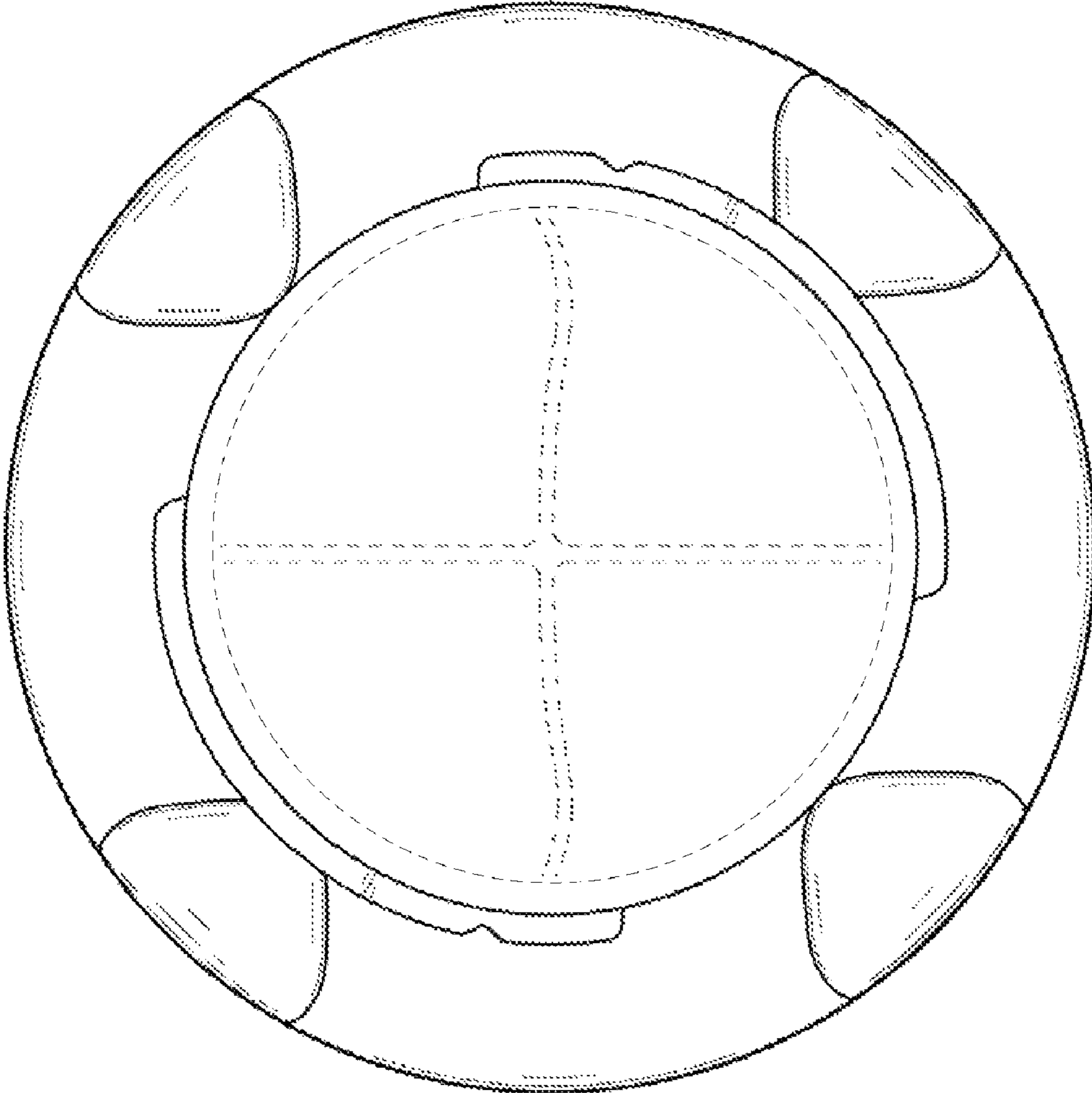


Fig. 5

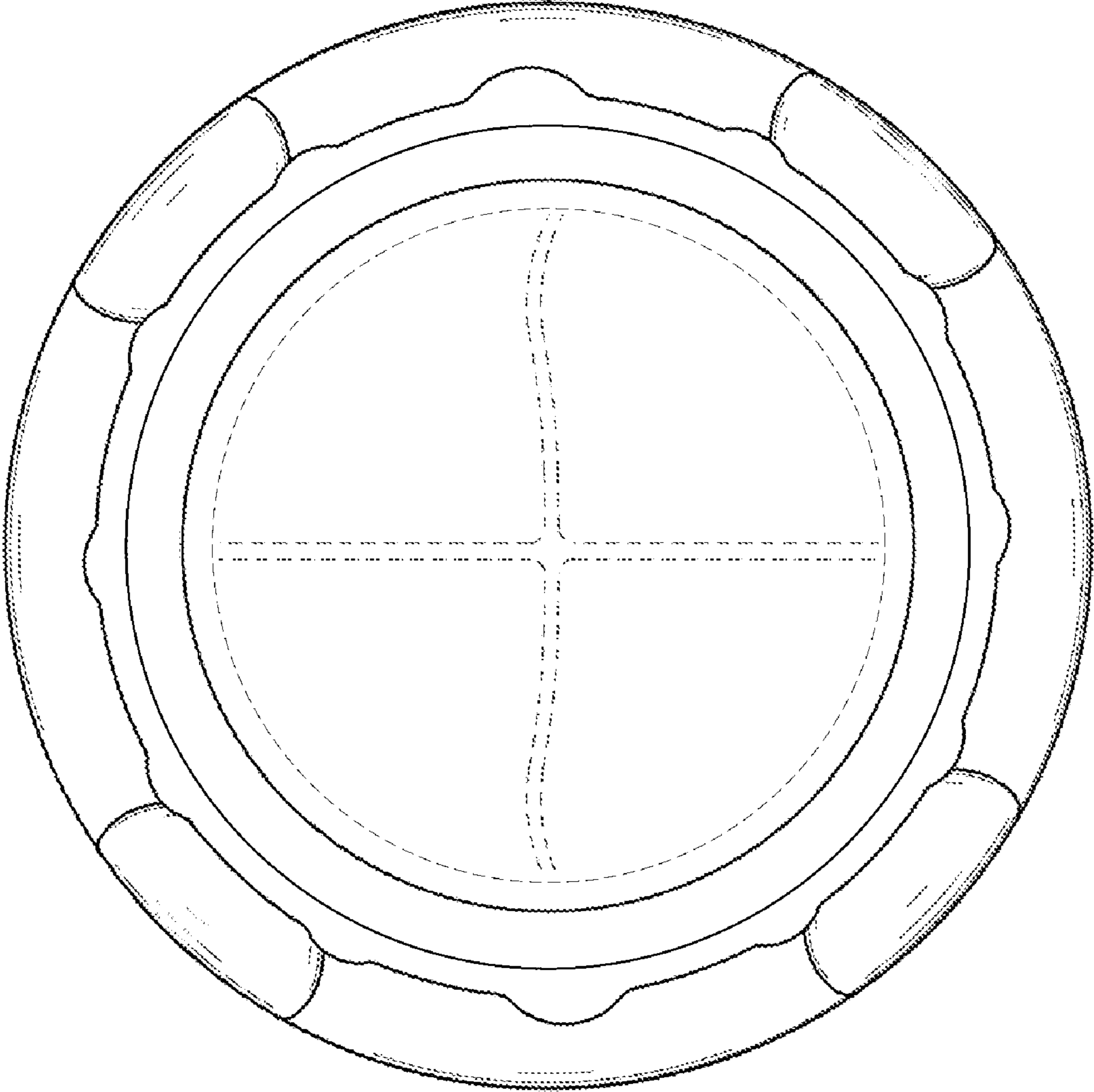


Fig. 6

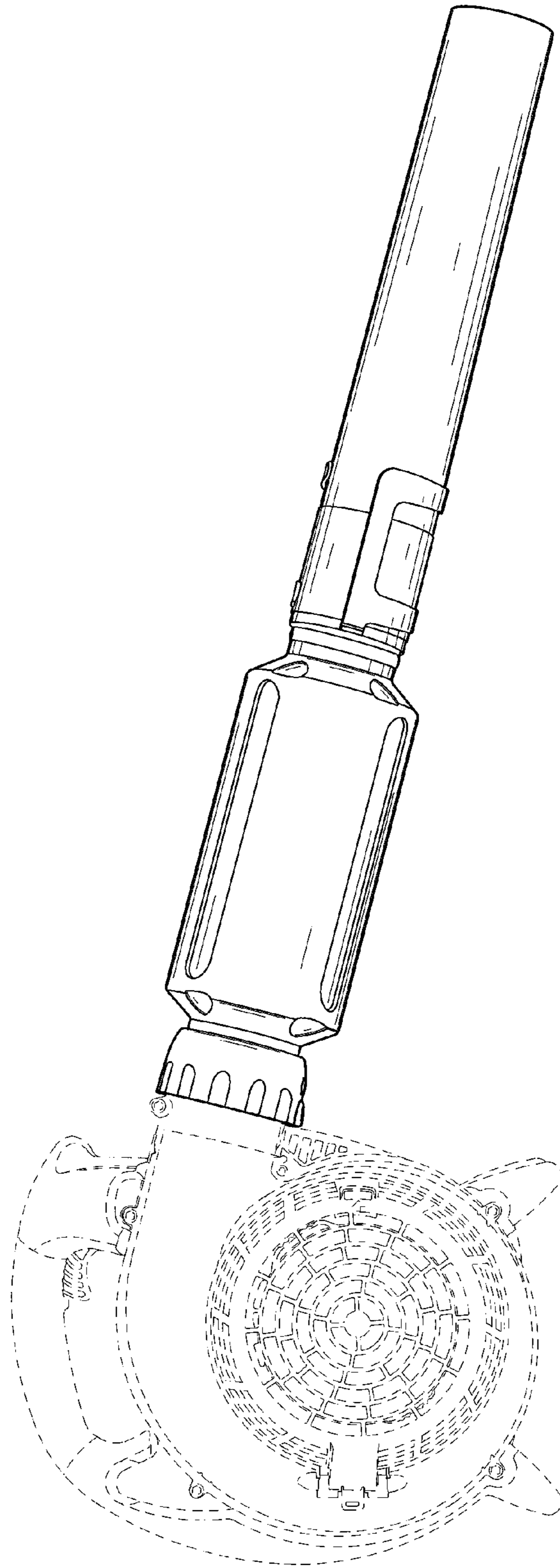


FIG. 7