

US00D637771S

(12) **United States Design Patent**
Gruber et al.

(10) **Patent No.:** **US D637,771 S**

(45) **Date of Patent:** **** May 10, 2011**

(54) **HOOD FOR A CANINE PONCHO**

(76) Inventors: **Thomas L Gruber**, Escondido, CA
(US); **Kathleen Finn**, Escondido, CA
(US)

(**) **Term:** **14 Years**

(21) **Appl. No.:** **29/359,780**

(22) **Filed:** **Apr. 15, 2010**

(51) **LOC (9) Cl.** **30-01**

(52) **U.S. Cl.** **D30/145**

(58) **Field of Classification Search** D30/145,
D30/144, 151-154; 119/678, 850, 673, 702,
119/712, 792-798, 758, 760, 769, 770, 784,
119/815, 818, 856, 863, 864, 905, 907, 802,
119/857, 865, 725, 771; 52/3; 54/79.4, 79.1,
54/80.1, 79.2; D3/271.2, 217, 327; 150/154;
36/111; 604/293; 602/79, 61; D2/865, 870,
D2/878-881, 883-885, 889; 2/6.1, 6.2, 7,
2/171, 171.4, 172, 171.5, 181, 182.7, 183,
2/195.1-195.7, 202-205, 207, 209; D29/106

See application file for complete search history.

(56) **References Cited**

U.S. PATENT DOCUMENTS

1,097,530	A *	5/1914	Cabelinsky	2/84
D107,836	S *	1/1938	Merkin	D2/880
2,368,654	A *	2/1945	Frank	2/94
2,567,192	A *	9/1951	De Grazia	2/205
2,581,366	A *	1/1952	De Grazia	2/203
2,839,757	A *	6/1958	Gianola	2/205
D189,233	S *	11/1960	Gardner et al.	D29/105
D190,849	S *	7/1961	Rudolph	D2/880
D220,191	S *	3/1971	Giordano	D30/145
D237,844	S *	12/1975	Stock	D2/870
D243,563	S *	3/1977	Kreisel	D2/879
4,334,325	A *	6/1982	Walkuski	2/202
4,593,417	A *	6/1986	Brown et al.	2/172
4,673,366	A *	6/1987	Hawkins	441/90
D295,800	S *	5/1988	Shelton, Jr.	D2/870

D315,243	S *	3/1991	Ciabattari	D2/879
5,007,115	A *	4/1991	Denbow et al.	2/208
D323,733	S *	2/1992	Shalom et al.	D2/831
5,211,668	A *	5/1993	Secord	2/203
5,251,336	A *	10/1993	Nevins	2/202
5,369,809	A *	12/1994	Hall	2/202
D374,315	S *	10/1996	Caditz	D30/145
D374,332	S *	10/1996	Brister et al.	D2/881
D384,189	S *	9/1997	Tobias	D2/828
D388,239	S *	12/1997	Li et al.	D2/878
5,832,538	A *	11/1998	Williams	2/202
5,881,389	A *	3/1999	Fruge	2/202
6,023,787	A *	2/2000	French et al.	2/202
6,088,838	A *	7/2000	Sontag	2/202
D429,550	S *	8/2000	Woodward	D2/878
D430,721	S *	9/2000	Beauchan	D2/825
D436,715	S *	1/2001	Barnhart	D2/878
D441,924	S *	5/2001	Mann	D30/145
6,370,692	B1 *	4/2002	Duyn et al.	2/86
6,374,418	B1 *	4/2002	Rindle	2/202
6,442,763	B1 *	9/2002	Larson et al.	2/202
6,490,735	B2 *	12/2002	Rindle	2/98

(Continued)

Primary Examiner — Susan Moon Lee

(74) *Attorney, Agent, or Firm* — Eric A. Hanscom; Todd J. Langford

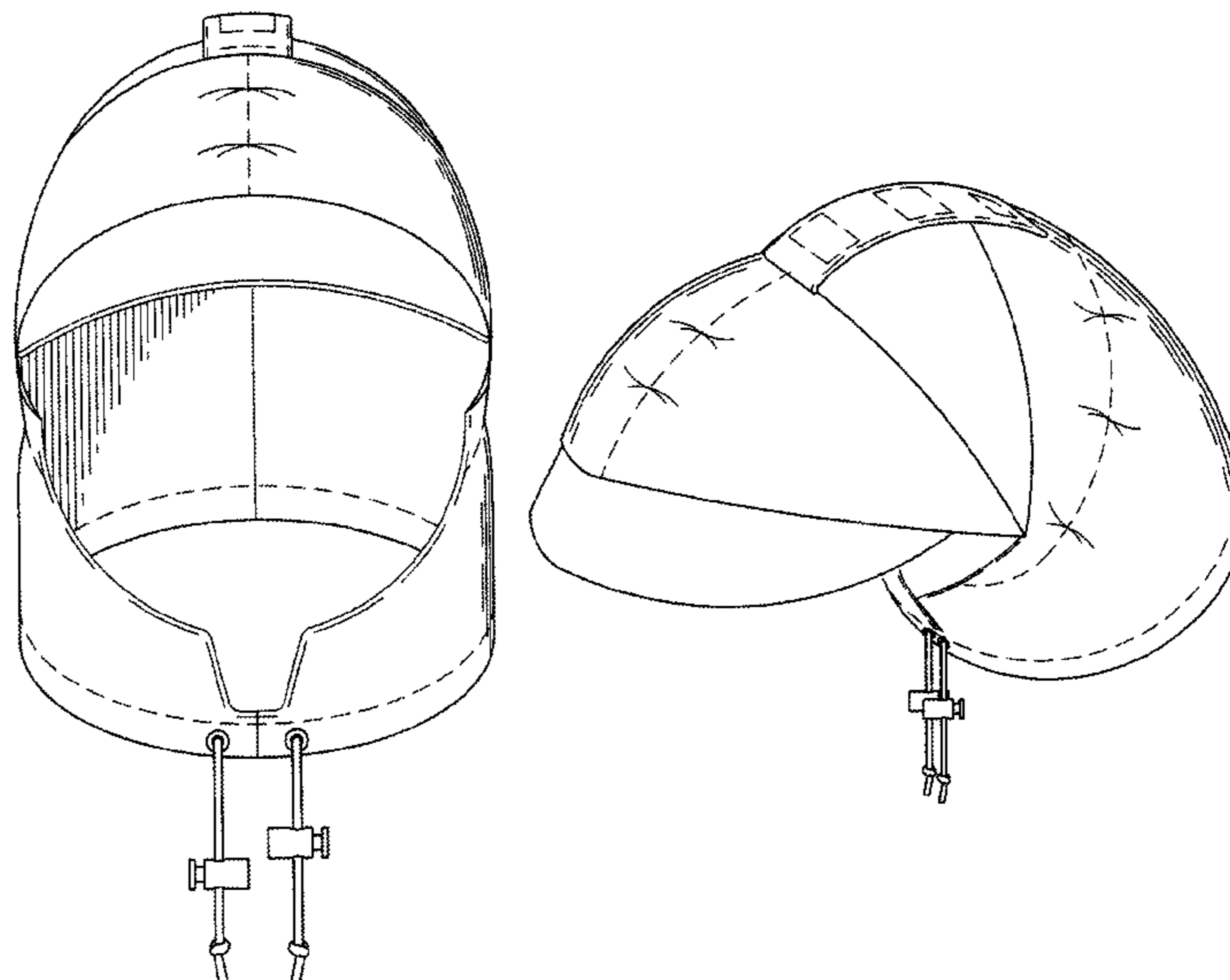
(57) **CLAIM**

We claim the ornamental design for a hood for a canine poncho, as shown and described.

DESCRIPTION

FIG. 1 is a front view of a hood for a canine poncho.
FIG. 2 is a back view;
FIG. 3 is a top view;
FIG. 4 is a bottom view;
FIG. 5 is a side perspective view; and,
FIG. 6 is a left side view thereof, where the right side is a mirror image of the left side.
The broken lines and regions within are not claimed.

1 Claim, 3 Drawing Sheets



US D637,771 S

Page 2

U.S. PATENT DOCUMENTS

D478,708 S *	8/2003	Miros et al.	D2/831	6,654,963 B2 *	12/2003	Fayle et al.	2/84
D479,902 S *	9/2003	Brown	D2/831	D627,141 S *	11/2010	Elmberg et al.	D2/866

* cited by examiner

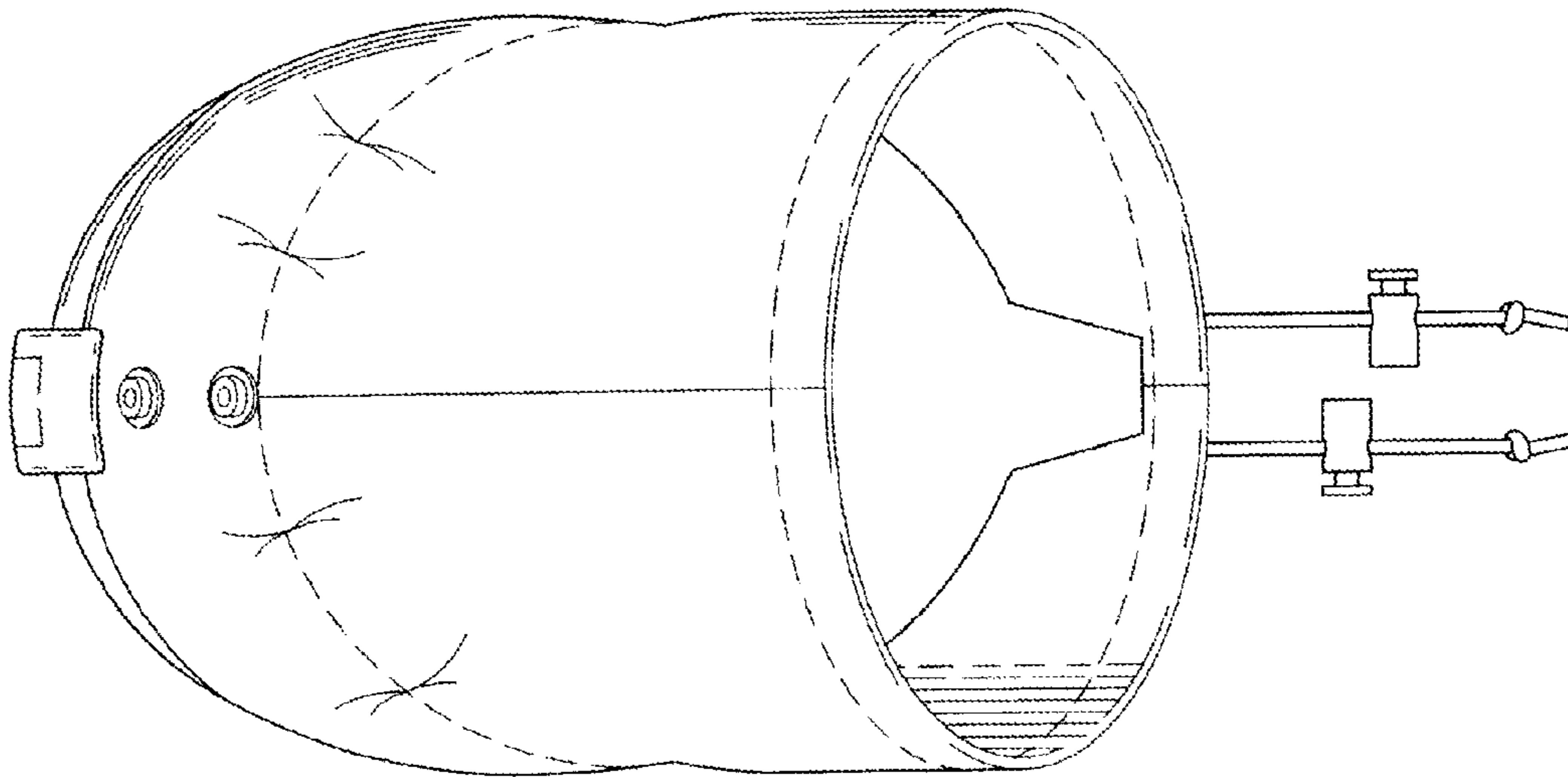


Fig. 2

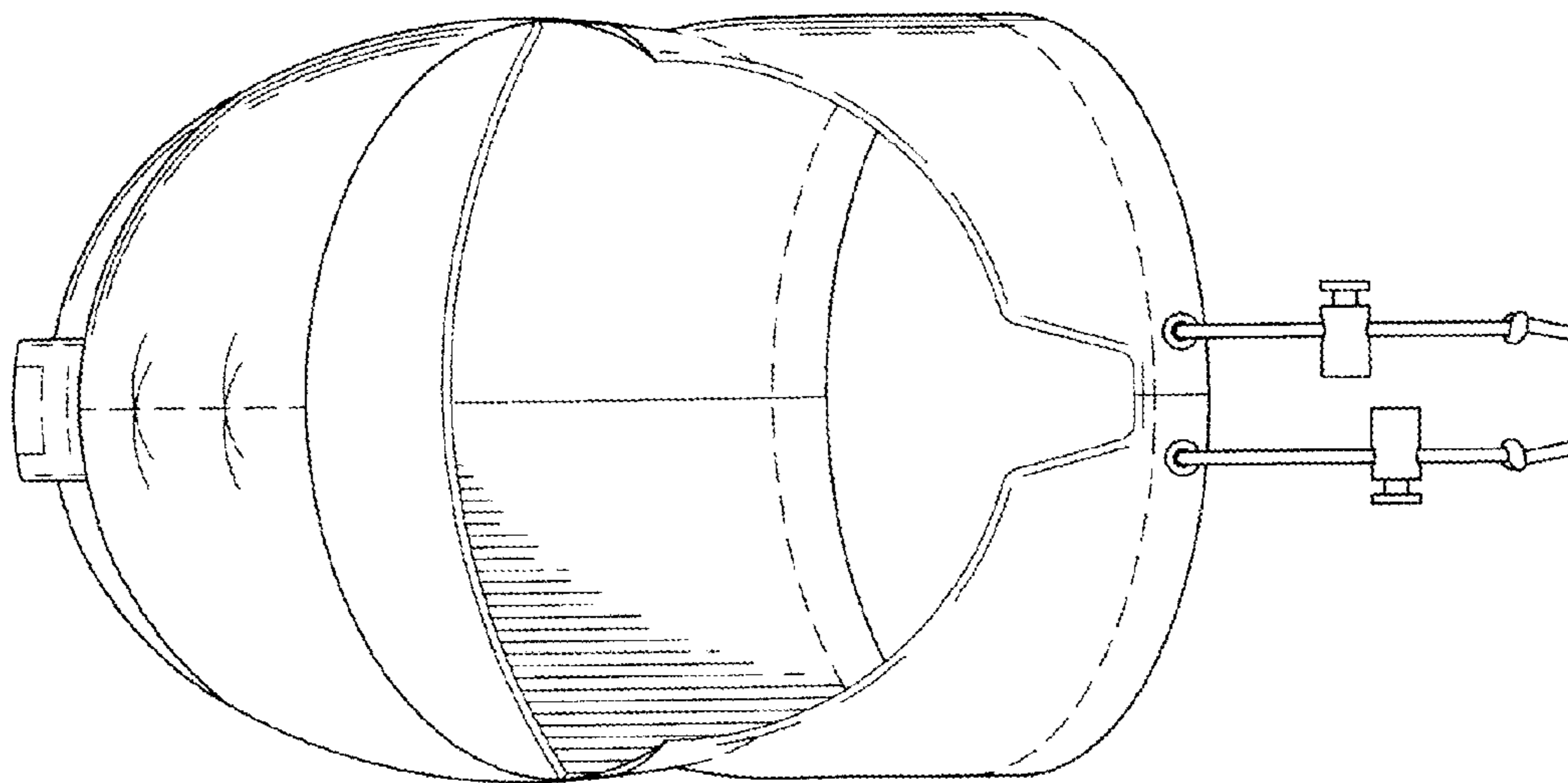


Fig. 1

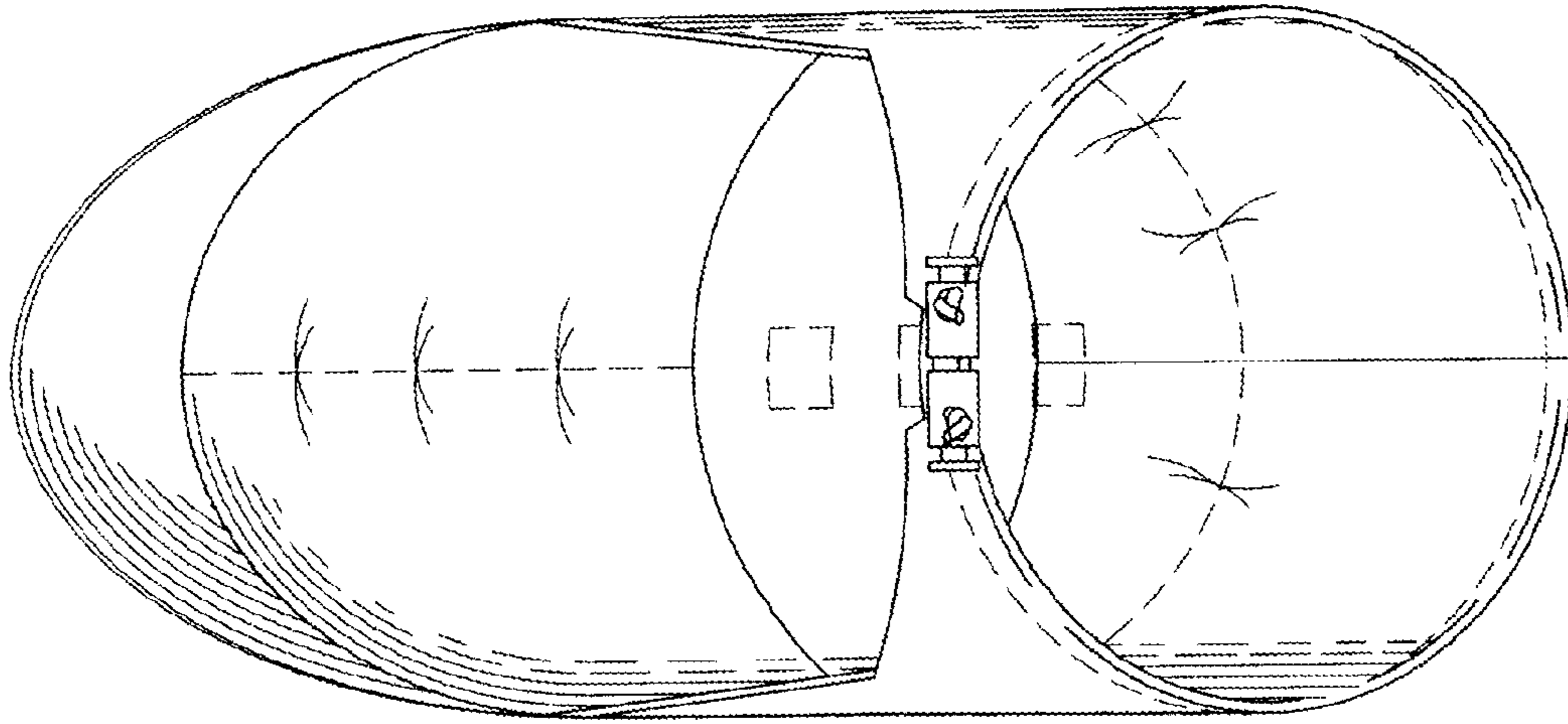


Fig. 4

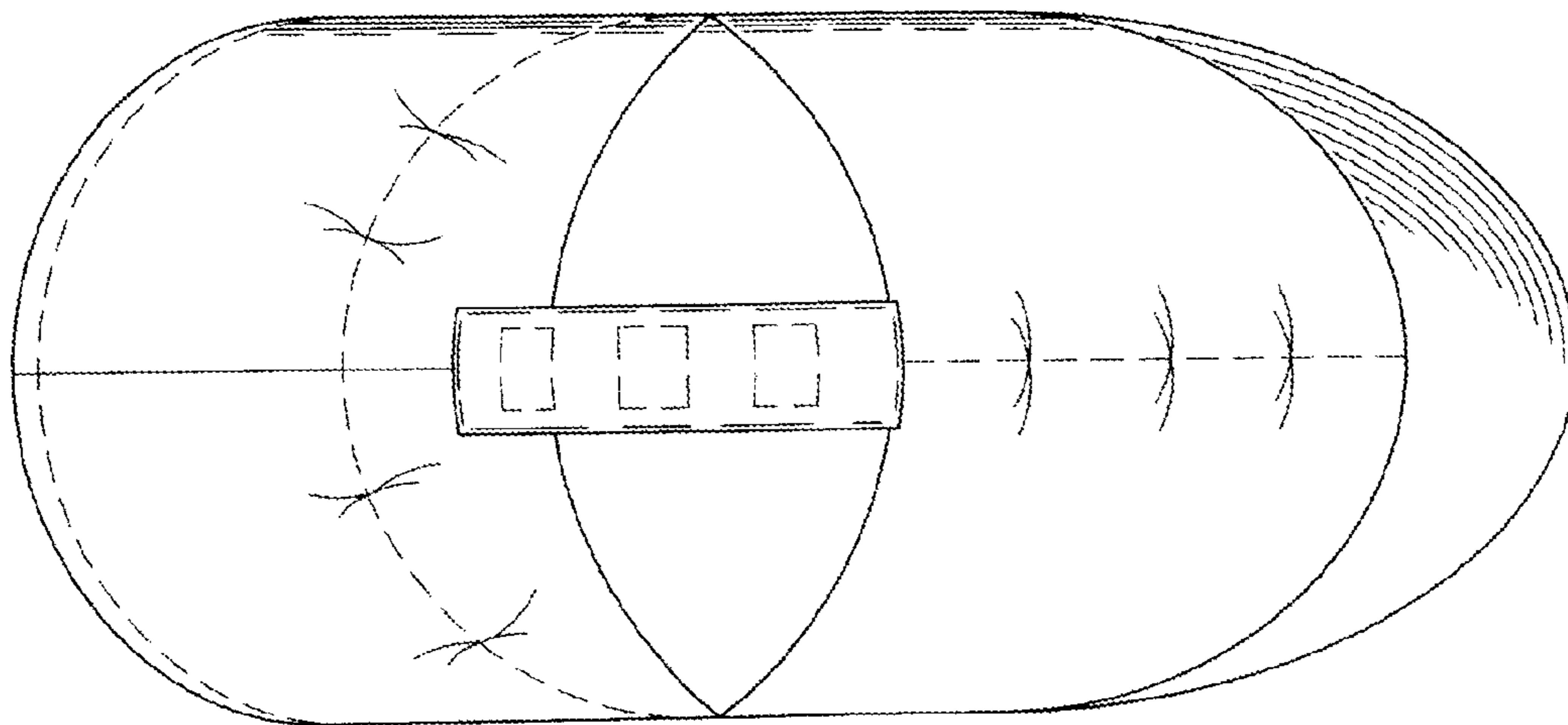


Fig. 3

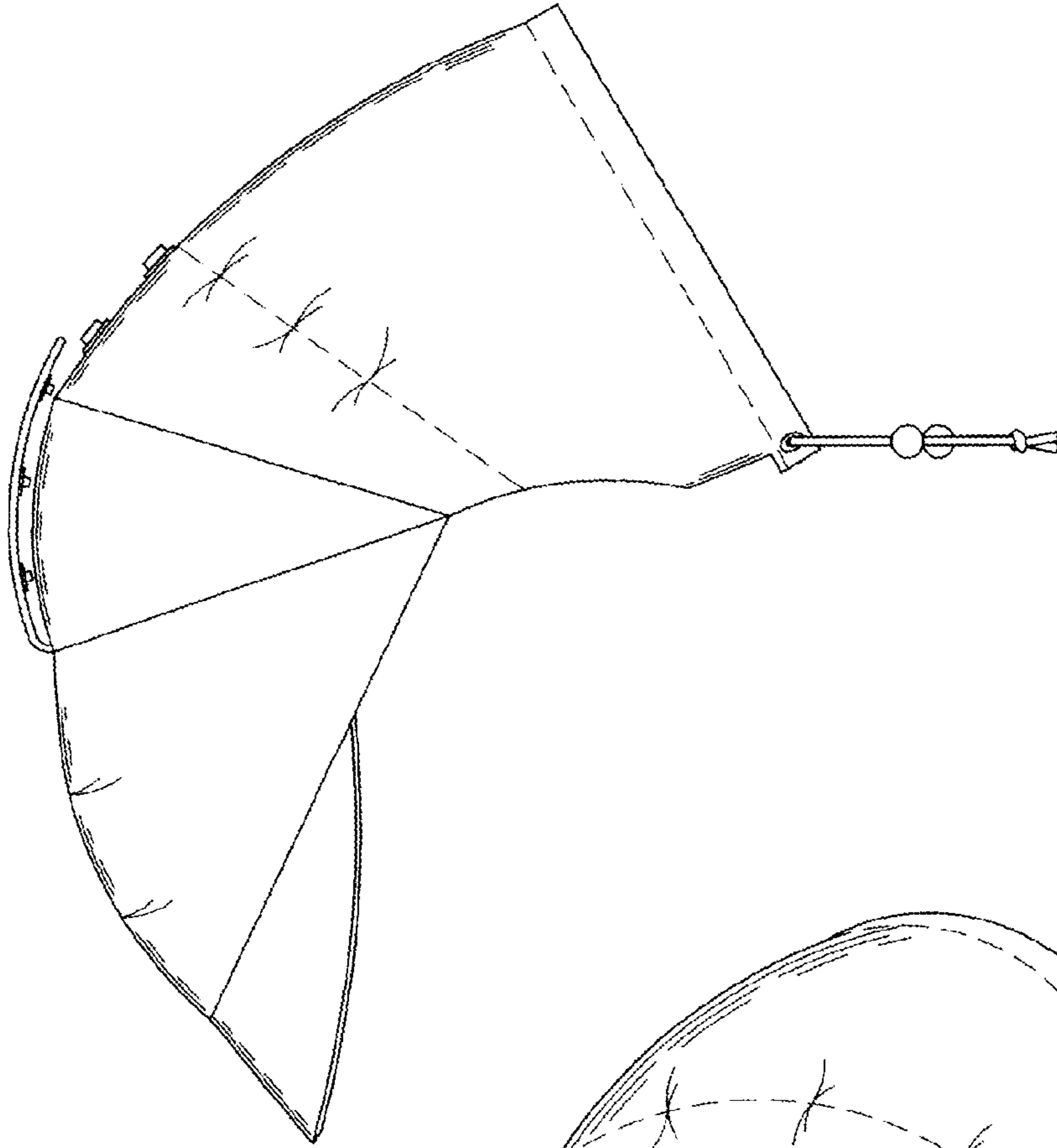


Fig. 6

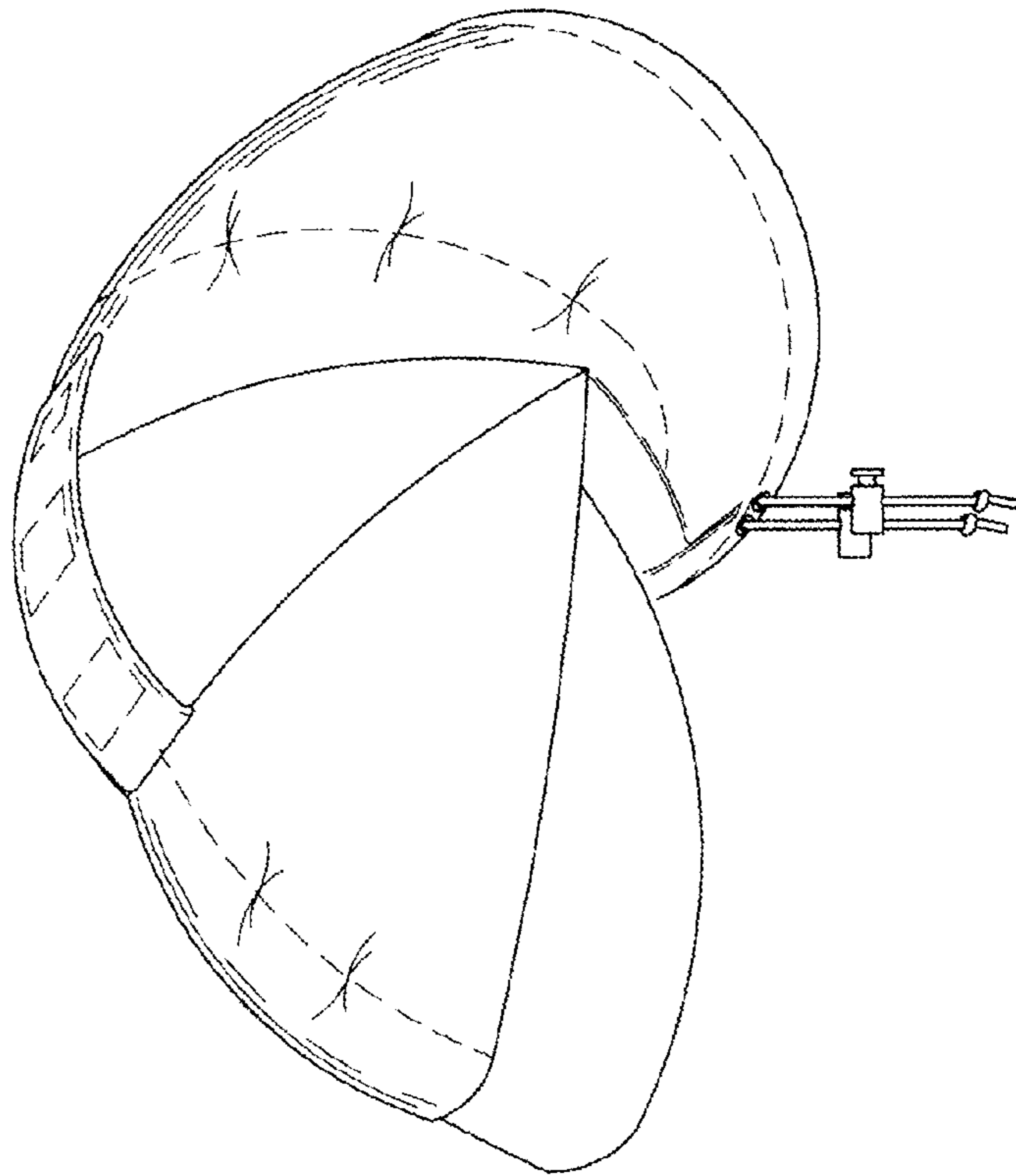


Fig. 5