



US00D637770S

(12) **United States Design Patent**  
**Lipscomb et al.**

(10) **Patent No.:** **US D637,770 S**

(45) **Date of Patent:** **\*\* May 10, 2011**

(54) **PET FOUNTAIN**

(75) Inventors: **John M. Lipscomb**, Cedarburg, WI (US); **Qing He**, North Andover, MA (US); **Stanley L. Suring**, Cedarburg, WI (US)

(73) Assignee: **Pioneer Pet Products, LLC**, Cedarburg, WI (US)

(\*\*) Term: **14 Years**

(21) Appl. No.: **29/365,288**

(22) Filed: **Jul. 7, 2010**

(51) **LOC (9) Cl.** ..... **30-03**

(52) **U.S. Cl.** ..... **D30/132; D30/121; D30/129**

(58) **Field of Classification Search** ..... D30/123, D30/129, 132, 121; 119/69.5, 673, 57.8, 119/68, 74, 61.57, 78-81, 61.4, 57.9, 51.5, 119/61.5, 72; 47/66.6, 39, 67, 83; 239/27, 239/280, 200, 281, 280.5, 273, 16, 17, 20, 239/22; 4/644, 627, 638; D7/558; D11/144, D11/145, 153; D99/5, 24; 27/1; D23/201, D23/292; 248/127, 132, 137, 138, 158, 910; 215/10; D6/353, 352, 484, 360, 480, 488; 219/521; 329/442, 459

See application file for complete search history.

(56) **References Cited**

**U.S. PATENT DOCUMENTS**

D195,166	S	*	5/1963	Mason	.....	D30/132
3,409,223	A		11/1968	Gosh		
D300,277	S	*	3/1989	Clark	.....	D30/122
D315,037	S	*	2/1991	Clark	.....	D30/122
5,167,368	A		12/1992	Nash		
D350,842	S	*	9/1994	VanSkiver	.....	D30/121
D367,735	S	*	3/1996	VanSkiver et al.	.....	D30/121

5,501,178	A		3/1996	Kemp		
5,842,437	A	*	12/1998	Burns	.....	119/74
6,055,934	A		5/2000	Burns et al.		
6,079,361	A	*	6/2000	Bowell et al.	.....	119/72
D428,217	S		7/2000	Rodack et al.		
6,149,070	A		11/2000	Hones		
D456,569	S		4/2002	Northrop		
6,460,483	B1		10/2002	Northrop et al.		
D470,631	S	*	2/2003	Teufel	.....	D30/132
6,622,657	B2		9/2003	Northrop et al.		
D497,041	S		10/2004	Plante		
D503,247	S	*	3/2005	Ross	.....	D30/132
D514,751	S		2/2006	Plante		
7,089,881	B2		8/2006	Plante		
7,270,082	B2		9/2007	Plante		
D600,862	S	*	9/2009	Sin	.....	D30/129
7,757,636	B2	*	7/2010	McCallum et al.	.....	119/74
2008/0078330	A1		4/2008	McCallum et al.		

\* cited by examiner

*Primary Examiner* — Susan Moon Lee

(74) *Attorney, Agent, or Firm* — Boyle Fredrickson, S.C.

(57) **CLAIM**

The ornamental design for a pet fountain, as shown and described.

**DESCRIPTION**

FIG. 1 is a perspective view of a pet fountain incorporating our new design;

FIG. 2 is a front elevation view thereof;

FIG. 3 is a rear elevation view thereof;

FIG. 4 is a top plan view thereof;

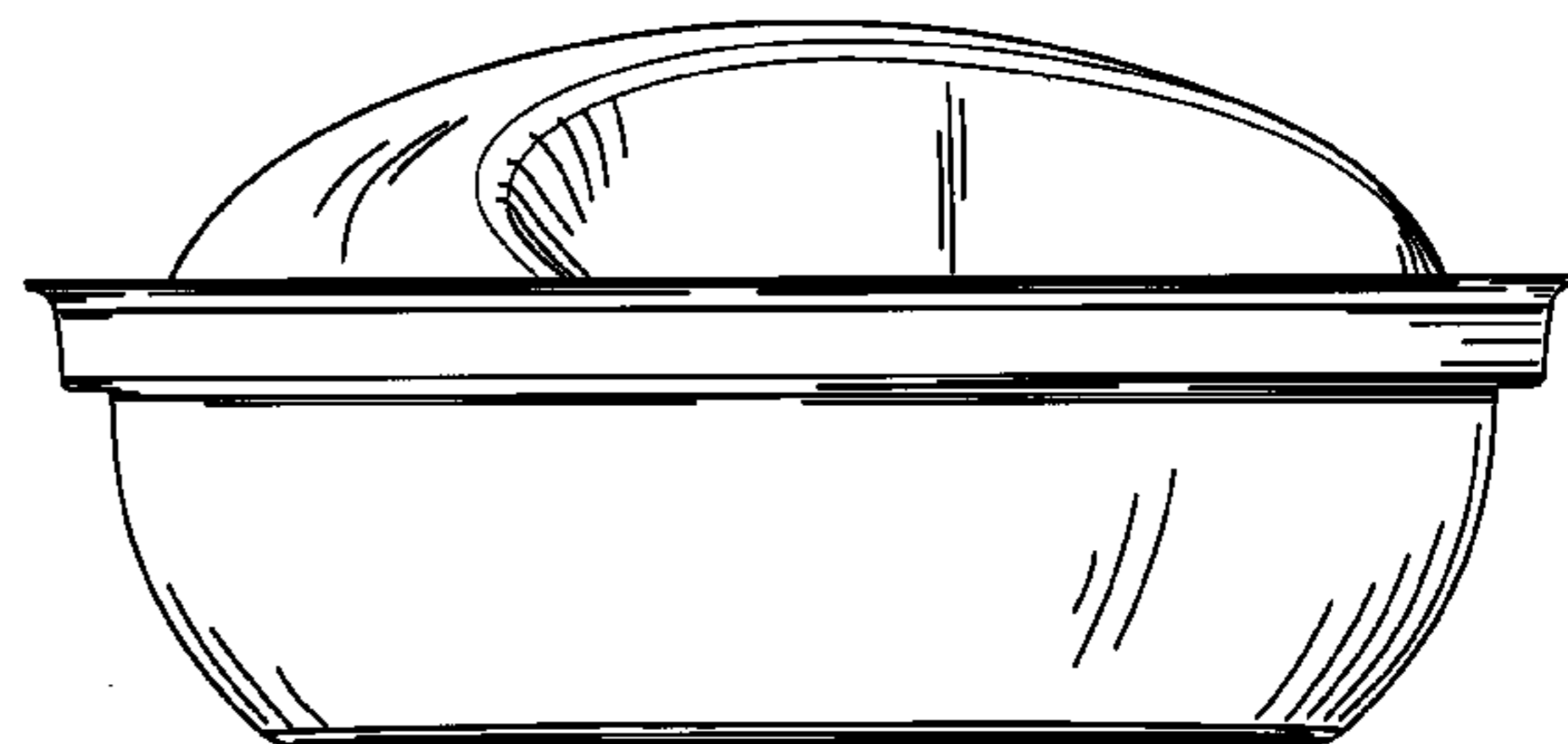
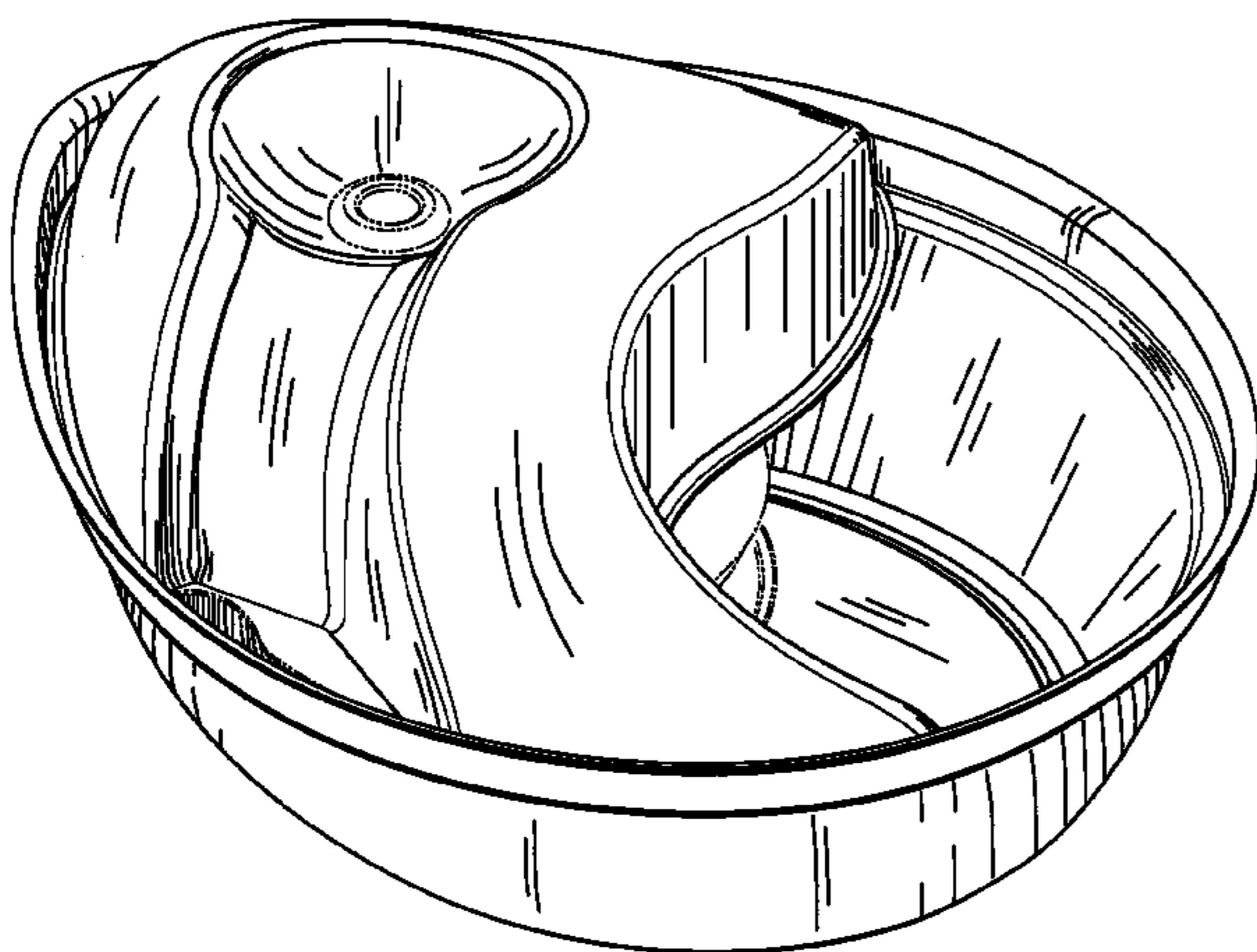
FIG. 5 is a bottom plan view thereof;

FIG. 6 is a right side elevation view thereof; and,

FIG. 7 is a left side elevation view thereof.

The broken lines in FIGS. 1, 4, and 5 are for illustrative purposes only and form no part of the claimed design.

**1 Claim, 7 Drawing Sheets**



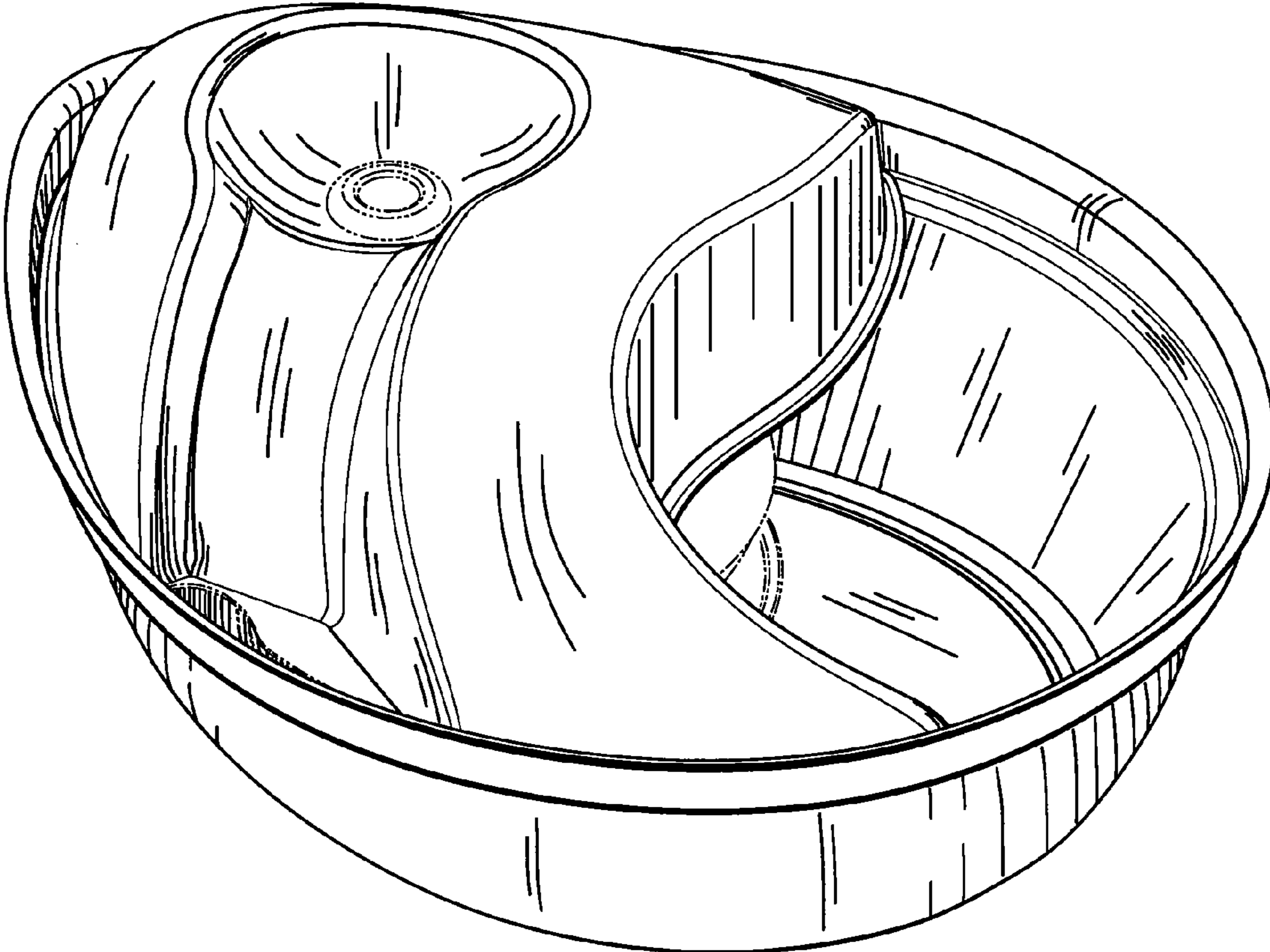


FIG. 1

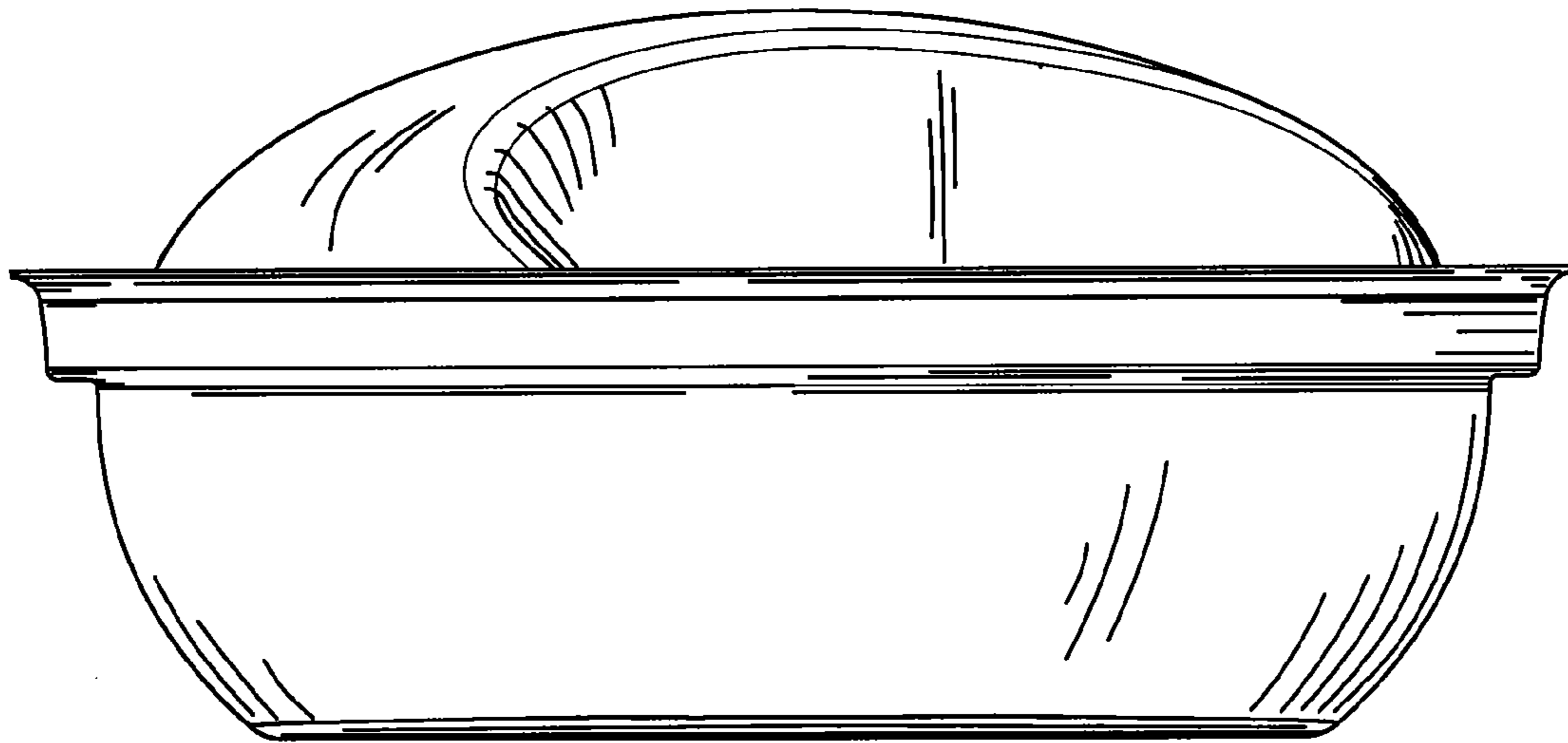


FIG. 2

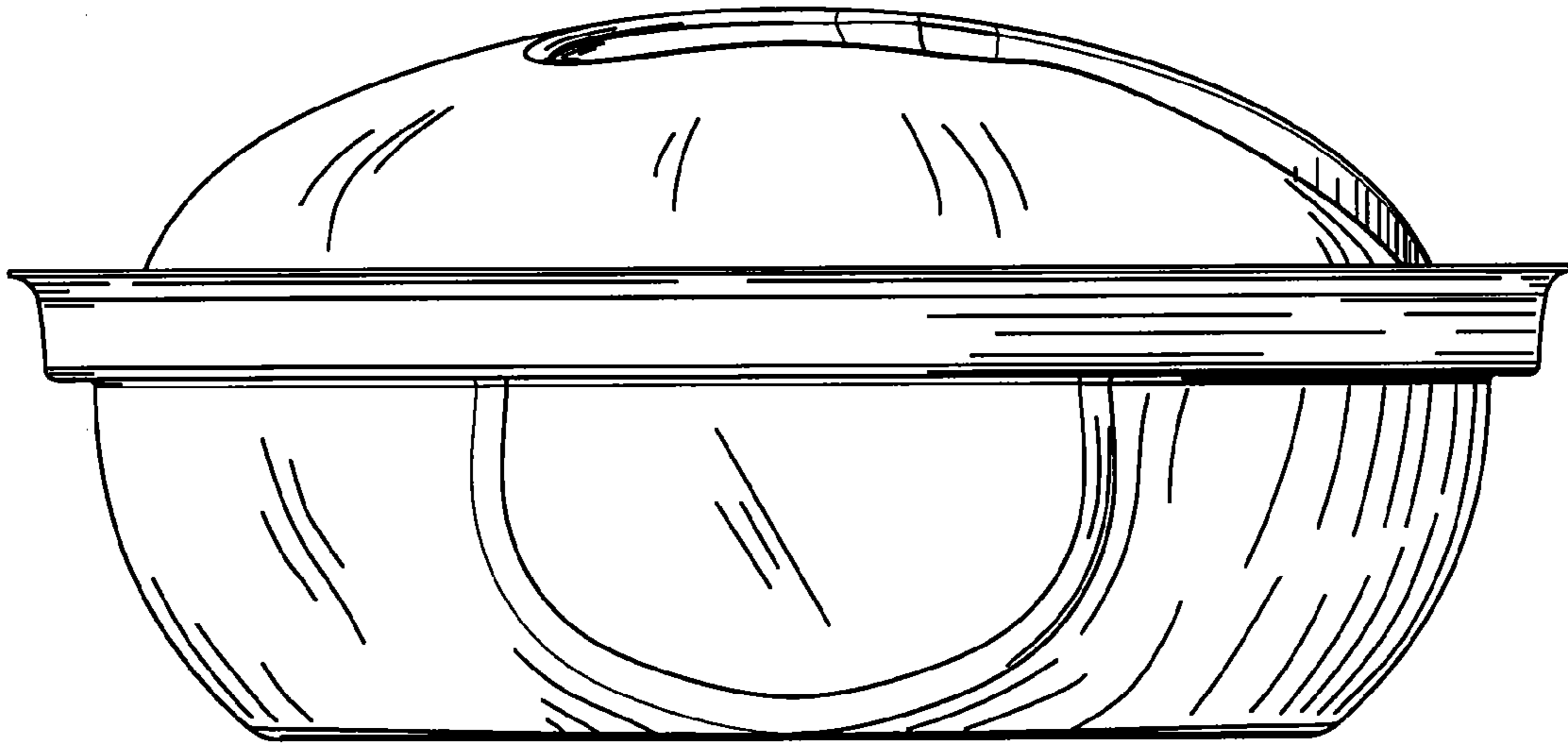


FIG. 3

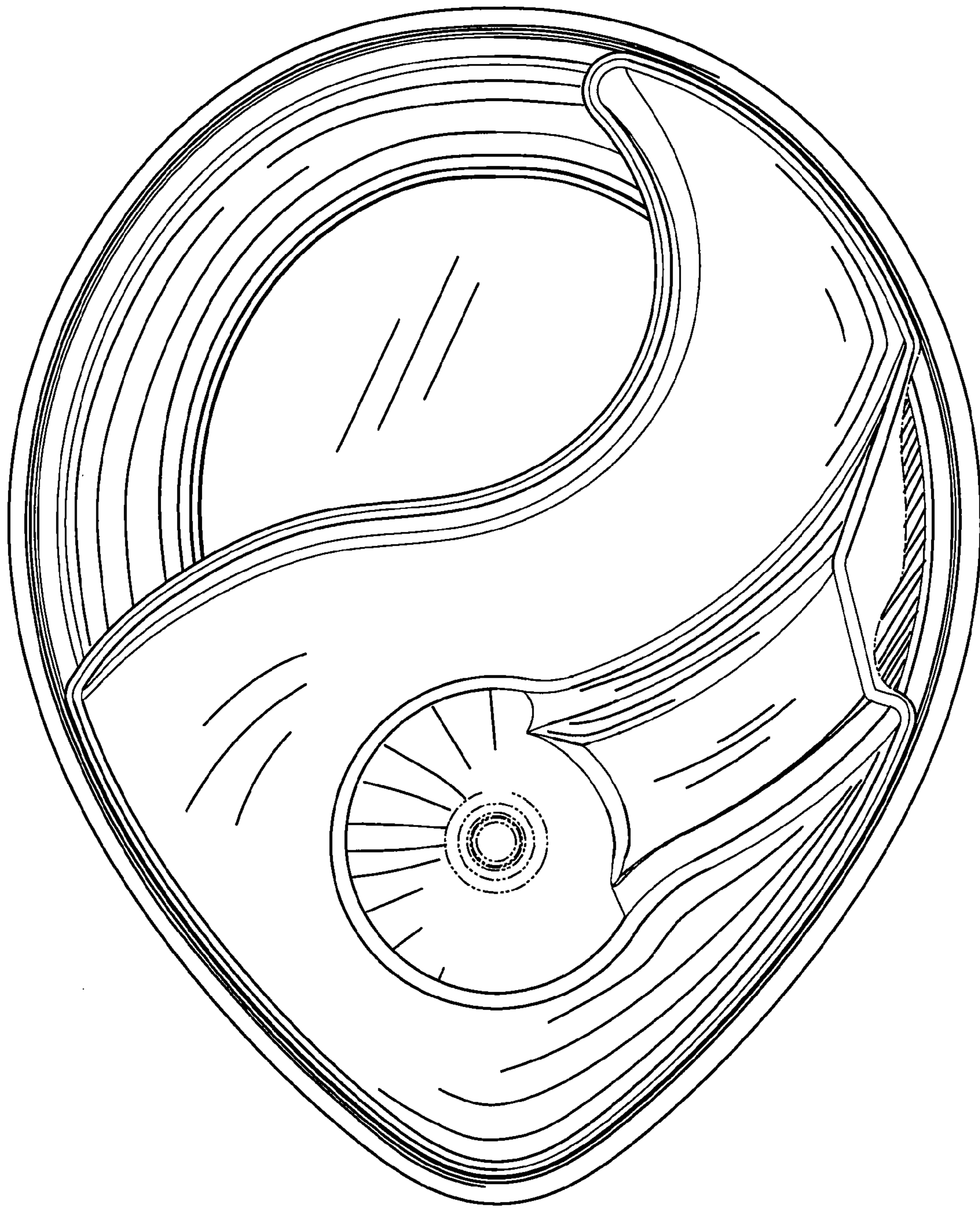


FIG. 4

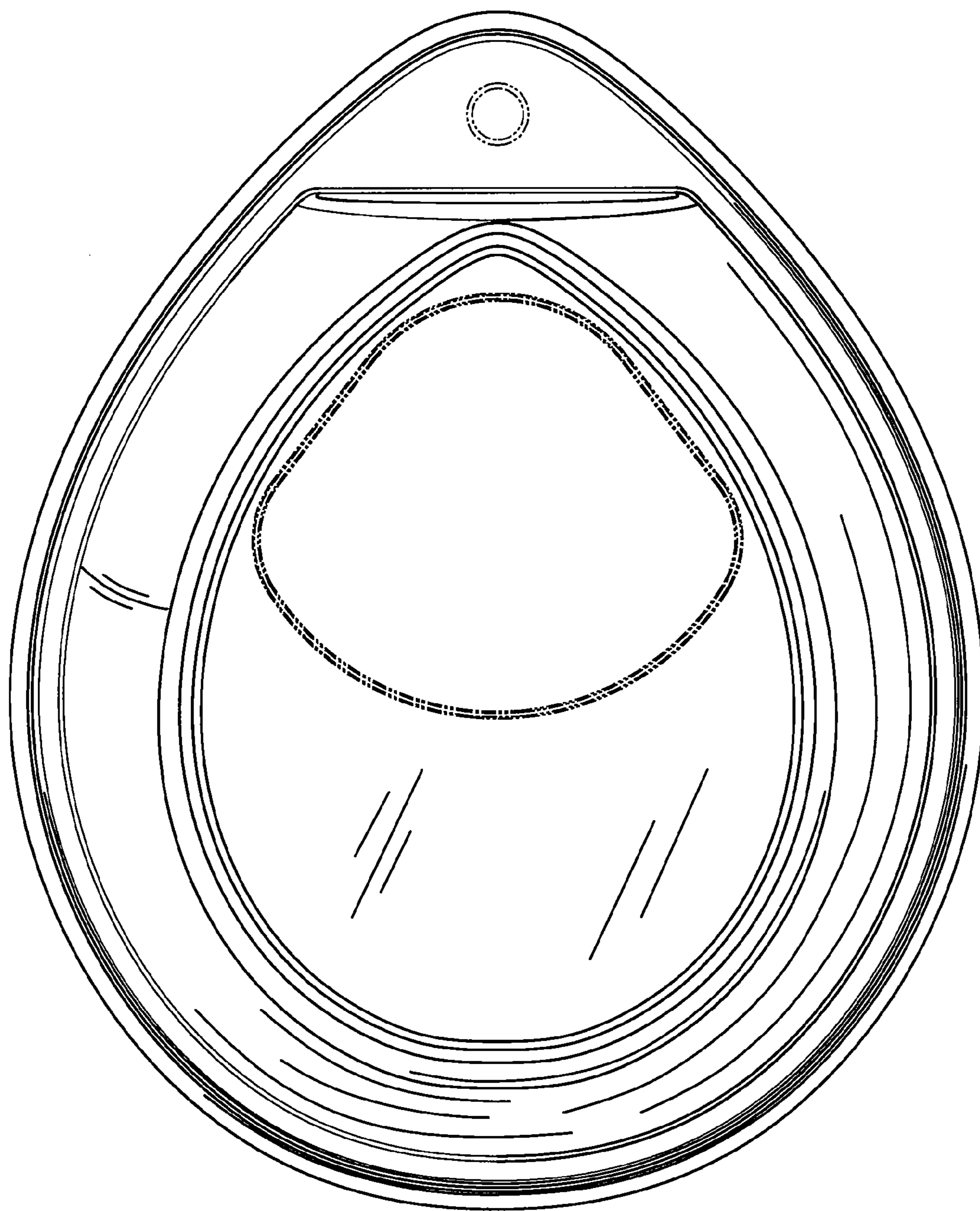


FIG. 5

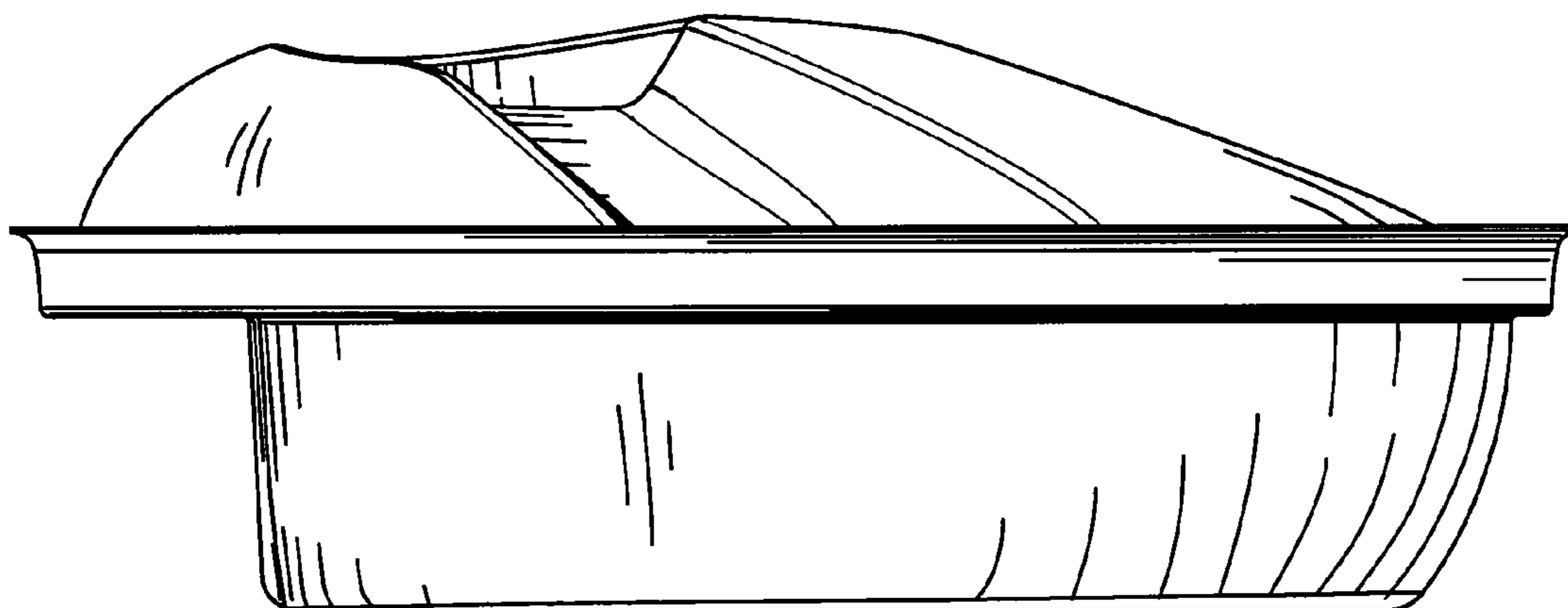


FIG. 6

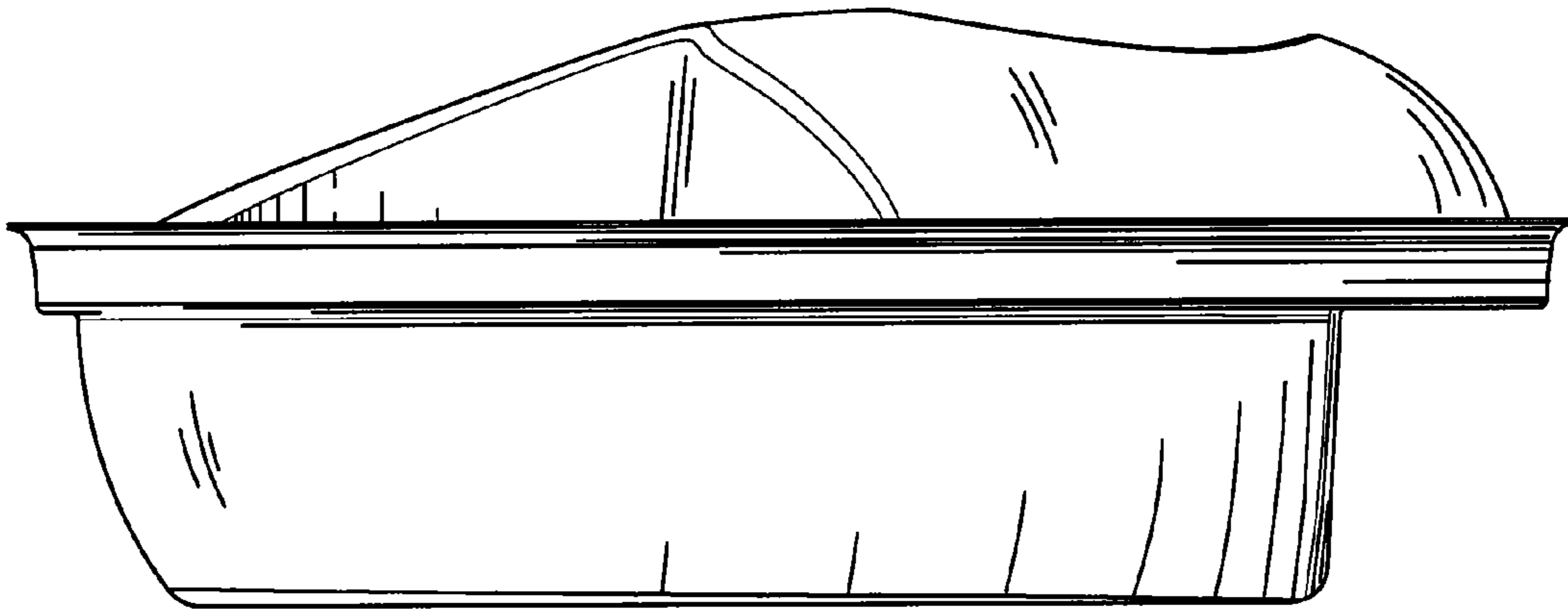


FIG. 7