



US00D637769S

(12) **United States Design Patent**  
**Weber**

(10) **Patent No.:** **US D637,769 S**

(45) **Date of Patent:** **\*\* May 10, 2011**

(54) **PET FEEDER BOTTLE**

(75) Inventor: **Adam Weber**, Keller, TX (US)

(73) Assignee: **Doskocil Manufacturing Company, Inc.**, Arlington, TX (US)

(\*\*) Term: **14 Years**

(21) Appl. No.: **29/355,298**

(22) Filed: **Feb. 4, 2010**

(51) **LOC (9) Cl.** ..... **30-03**

(52) **U.S. Cl.** ..... **D30/132; D30/121; D30/129**

(58) **Field of Classification Search** ..... D30/123, D30/129, 132, 121; 119/69.5, 673, 57.8, 119/68, 74, 61.57, 78-81, 61.4, 57.9, 51.5, 119/61.5, 72; 47/66.6, 39, 67, 83; 239/27, 239/280, 200, 281, 280.5, 273, 16, 17, 20, 239/22; 4/644, 627, 638; D7/558; D11/144, D11/145, 153; D99/5, 24; 27/1; D23/201, D23/292; 248/127, 132, 137, 138, 158, 910; 215/10; D6/353, 352, 484, 360, 480, 488; 219/521; 329/442, 459

See application file for complete search history.

(56) **References Cited**

**U.S. PATENT DOCUMENTS**

D251,392	S	*	3/1979	Futers et al.	.....	D30/122
4,303,039	A	*	12/1981	Thibault	.....	119/52.1
4,721,063	A	*	1/1988	Atchley	.....	119/52.1
4,976,220	A	*	12/1990	Gershman	.....	119/475
D330,098	S	*	10/1992	VanSkiver	.....	D30/121
D345,832	S	*	4/1994	Fraze et al.	.....	D32/53.1
D350,841	S	*	9/1994	VanSkiver	.....	D30/121
D364,942	S	*	12/1995	VanSkiver et al.	.....	D30/121

5,799,609	A	*	9/1998	Burns et al.	.....	119/74
D432,279	S	*	10/2000	Kim	.....	D30/121
D455,526	S	*	4/2002	Chrisco et al.	.....	D30/121
6,378,460	B1	*	4/2002	Skurdalsvold et al.	....	119/61.56
D457,275	S	*	5/2002	Skurdalsvold et al.	.....	D30/121
D457,692	S	*	5/2002	Skurdalsvold et al.	.....	D30/132
D477,702	S	*	7/2003	Kohn	.....	D32/53.1
D486,612	S	*	2/2004	Ross	.....	D30/132
D503,247	S	*	3/2005	Ross	.....	D30/132
6,863,025	B2	*	3/2005	Ness	.....	119/72
7,040,249	B1	*	5/2006	Mushen	.....	119/51.5
7,757,636	B2	*	7/2010	McCallum et al.	.....	119/74
2008/0078330	A1	*	4/2008	McCallum et al.	.....	119/72

\* cited by examiner

*Primary Examiner* — Susan Moon Lee

(74) *Attorney, Agent, or Firm* — Dorsey & Whitney LLP

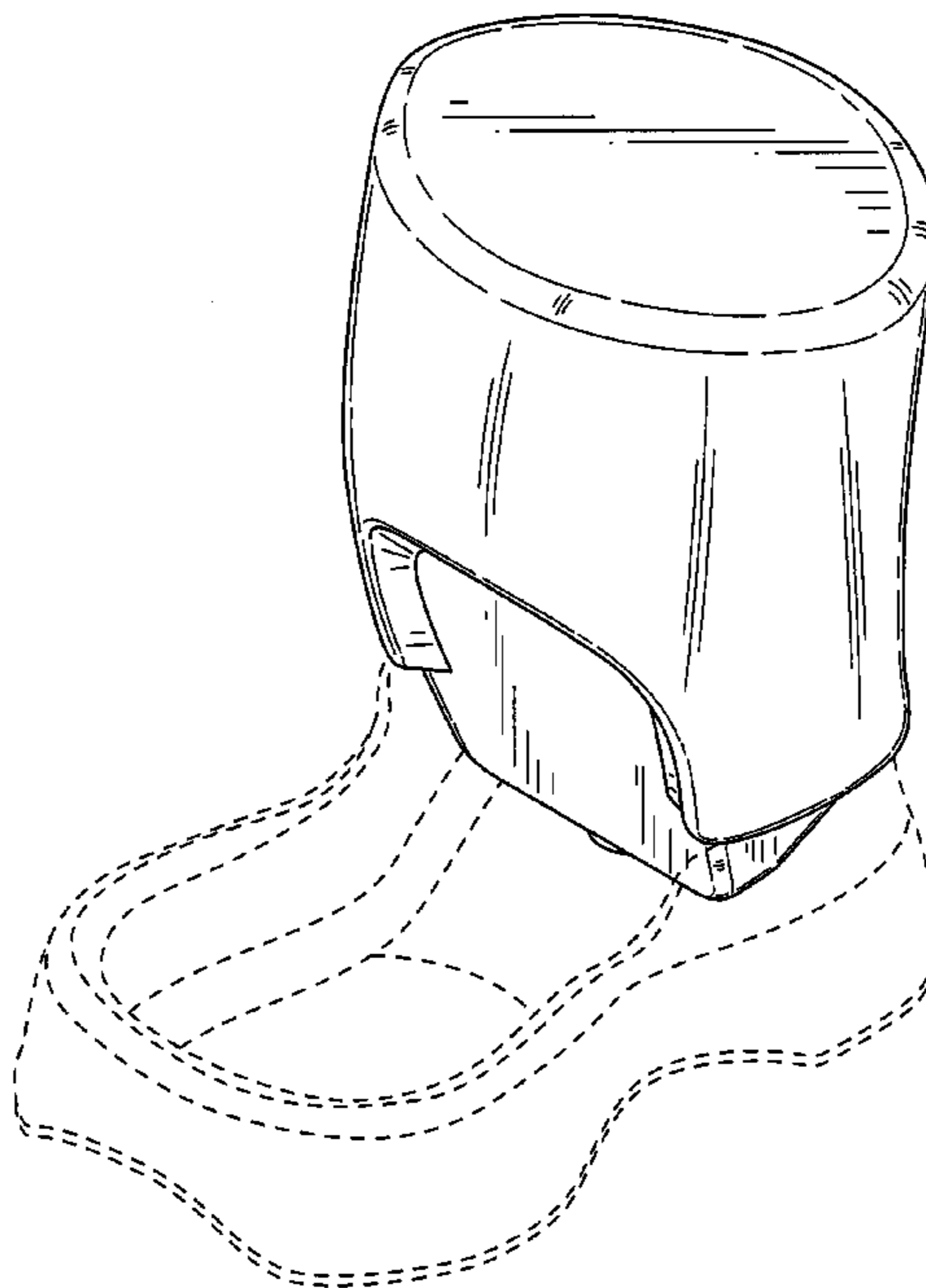
(57) **CLAIM**

I claim the ornamental design for a pet feeder bottle, as shown and described.

**DESCRIPTION**

FIG. 1 is a top-left perspective view of a pet feeder bottle. FIG. 2 is a right-side elevation view of the pet feeder bottle of FIG. 1. FIG. 3 is a left-side elevation view of the pet feeder bottle of FIG. 1. FIG. 4 is a front elevation view of the pet feeder bottle of FIG. 1. FIG. 5 is a rear elevation view of the pet feeder bottle of FIG. 1. FIG. 6 is a top plan view of the pet feeder bottle of FIG. 1; and, FIG. 7 is a bottom plan view of the pet feeder bottle of FIG. 1. The portions in broken line are not claimed.

**1 Claim, 7 Drawing Sheets**



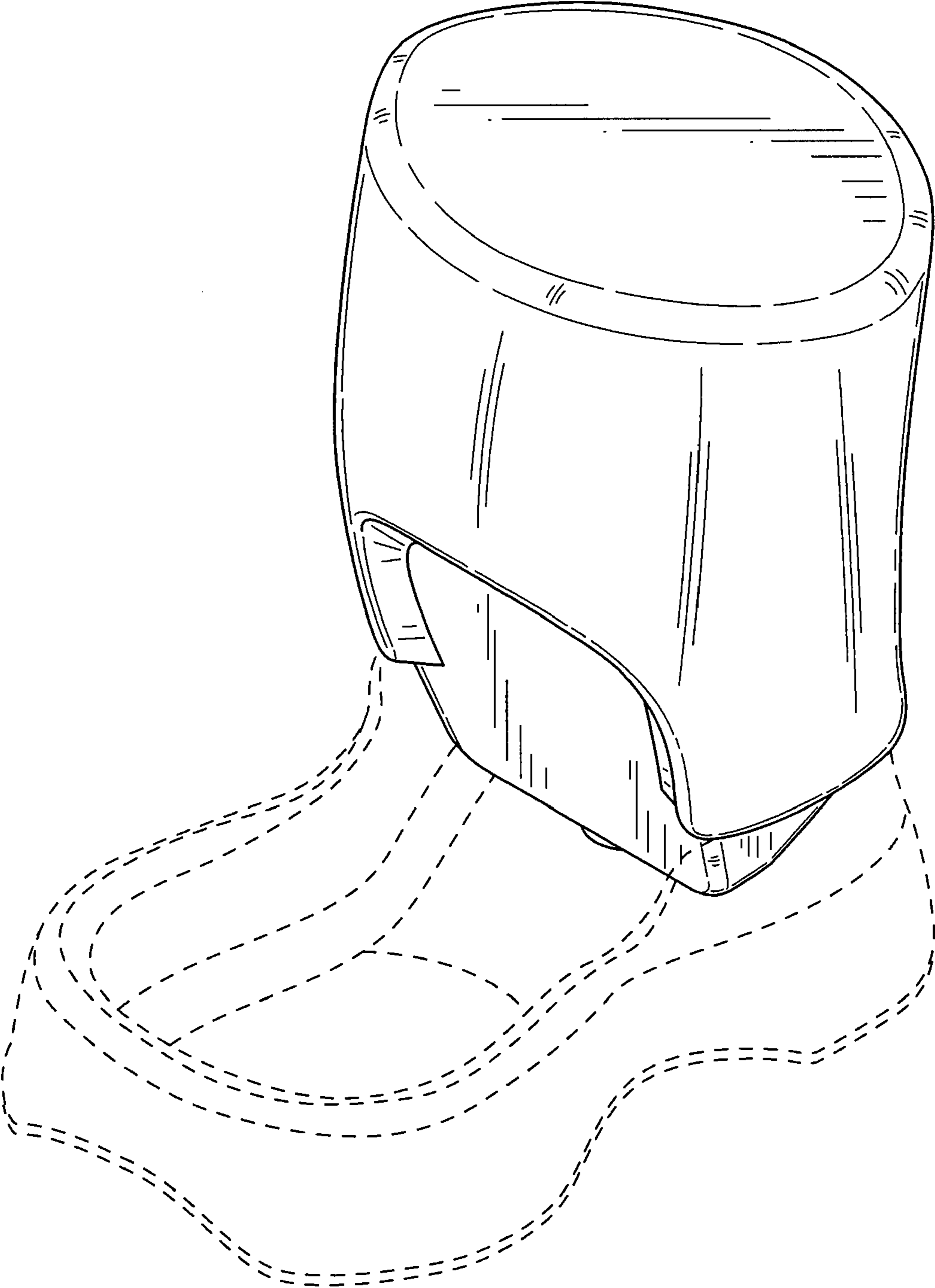


FIG.1

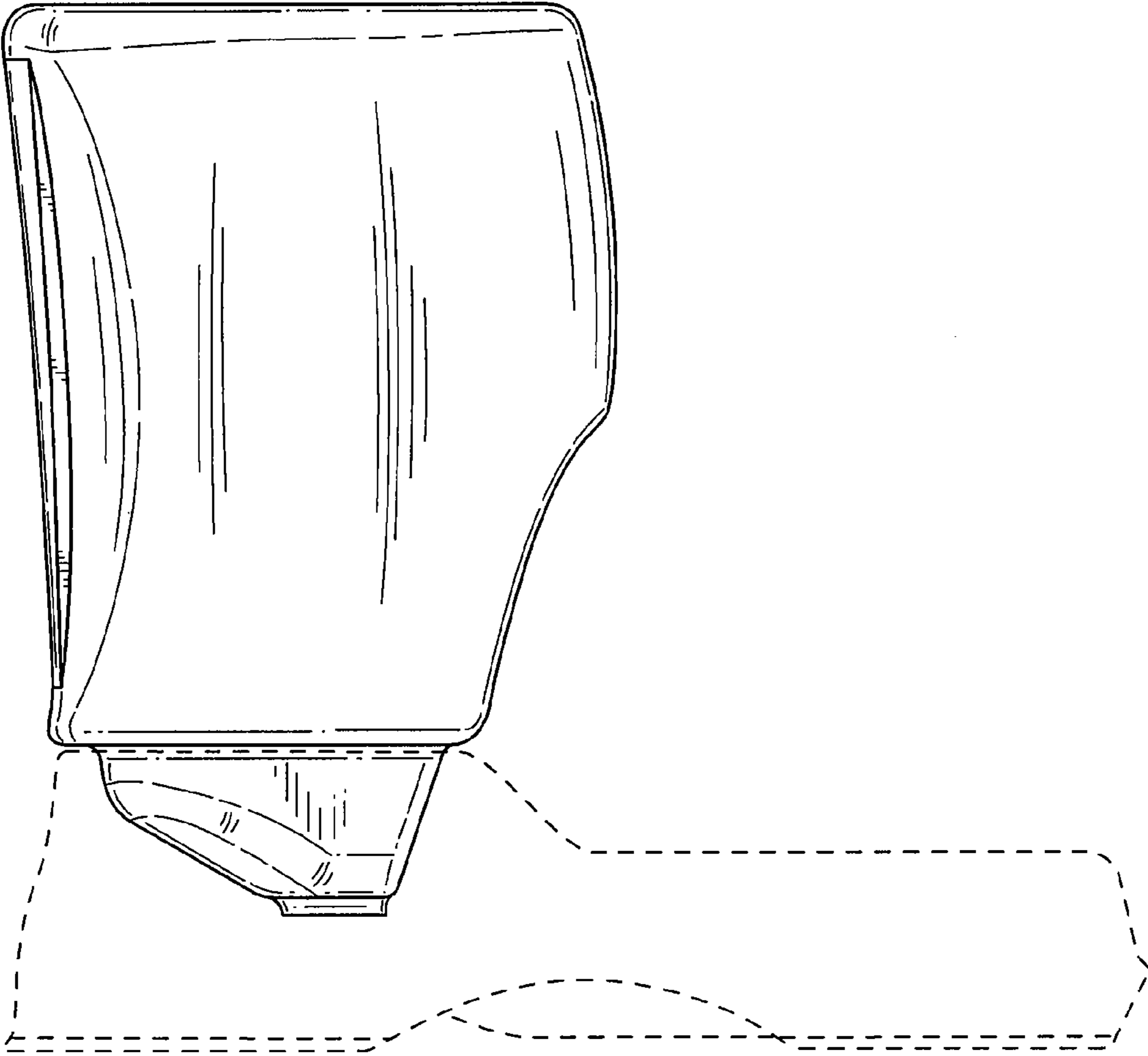


FIG.2

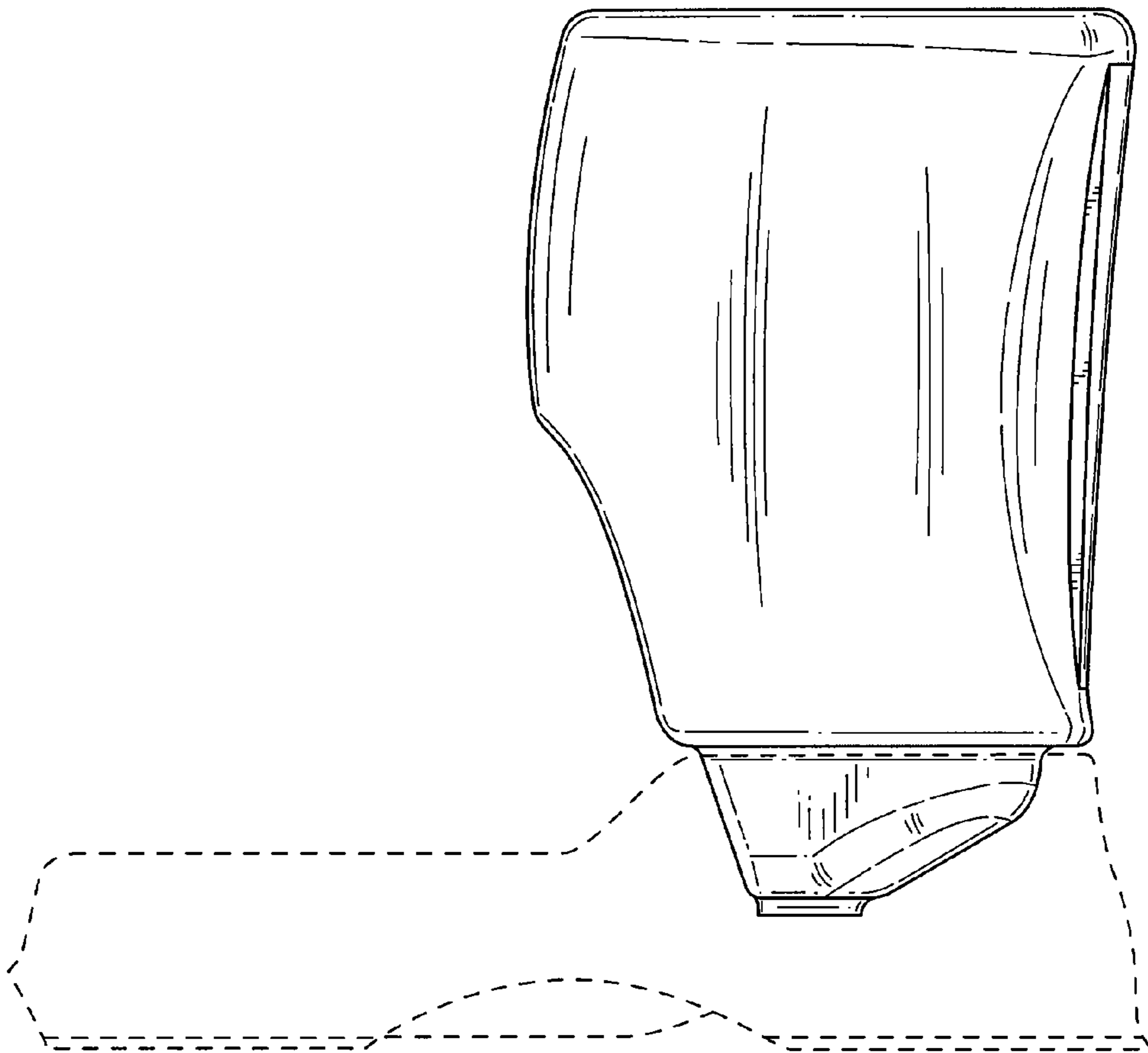


FIG.3

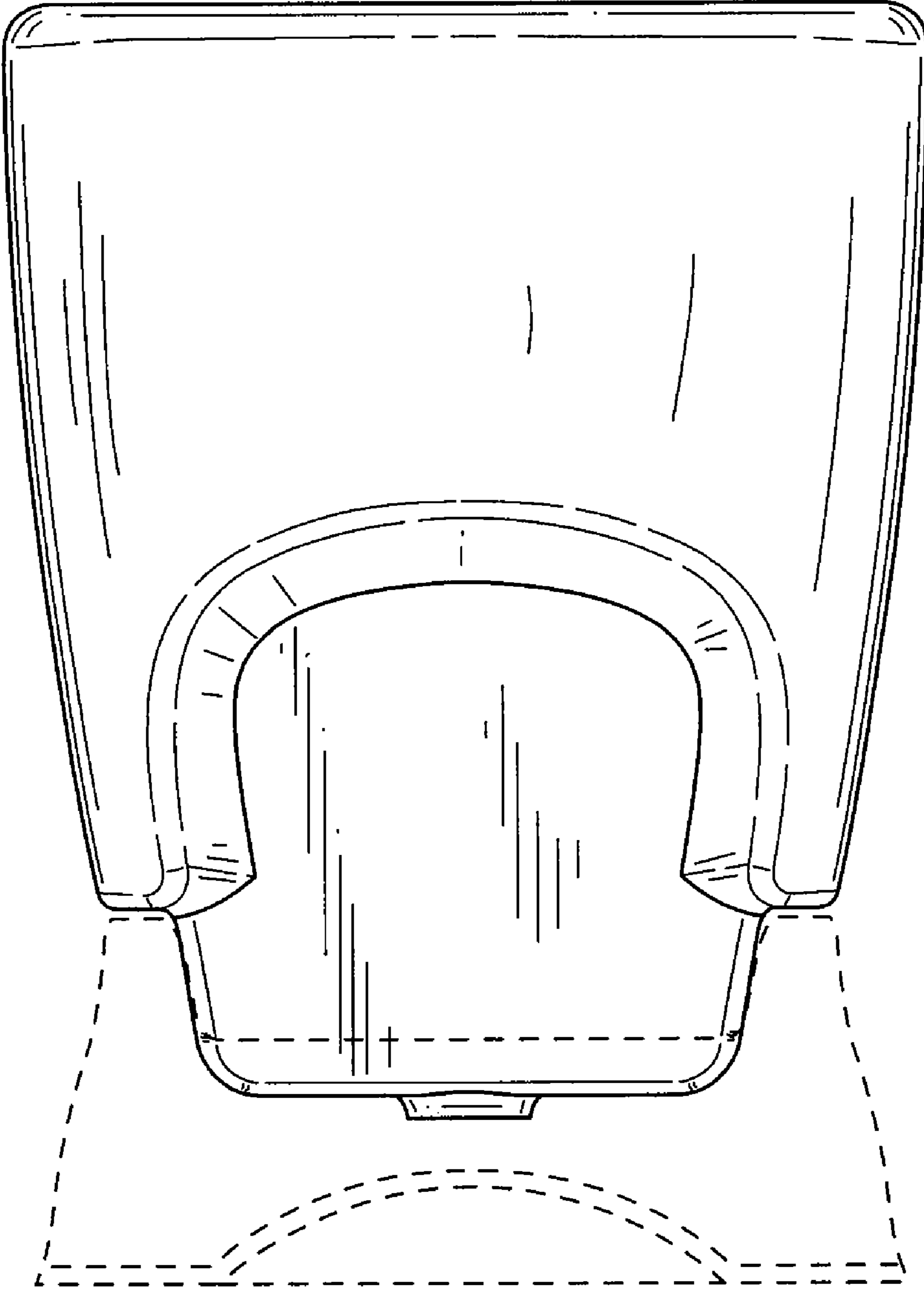


FIG.4

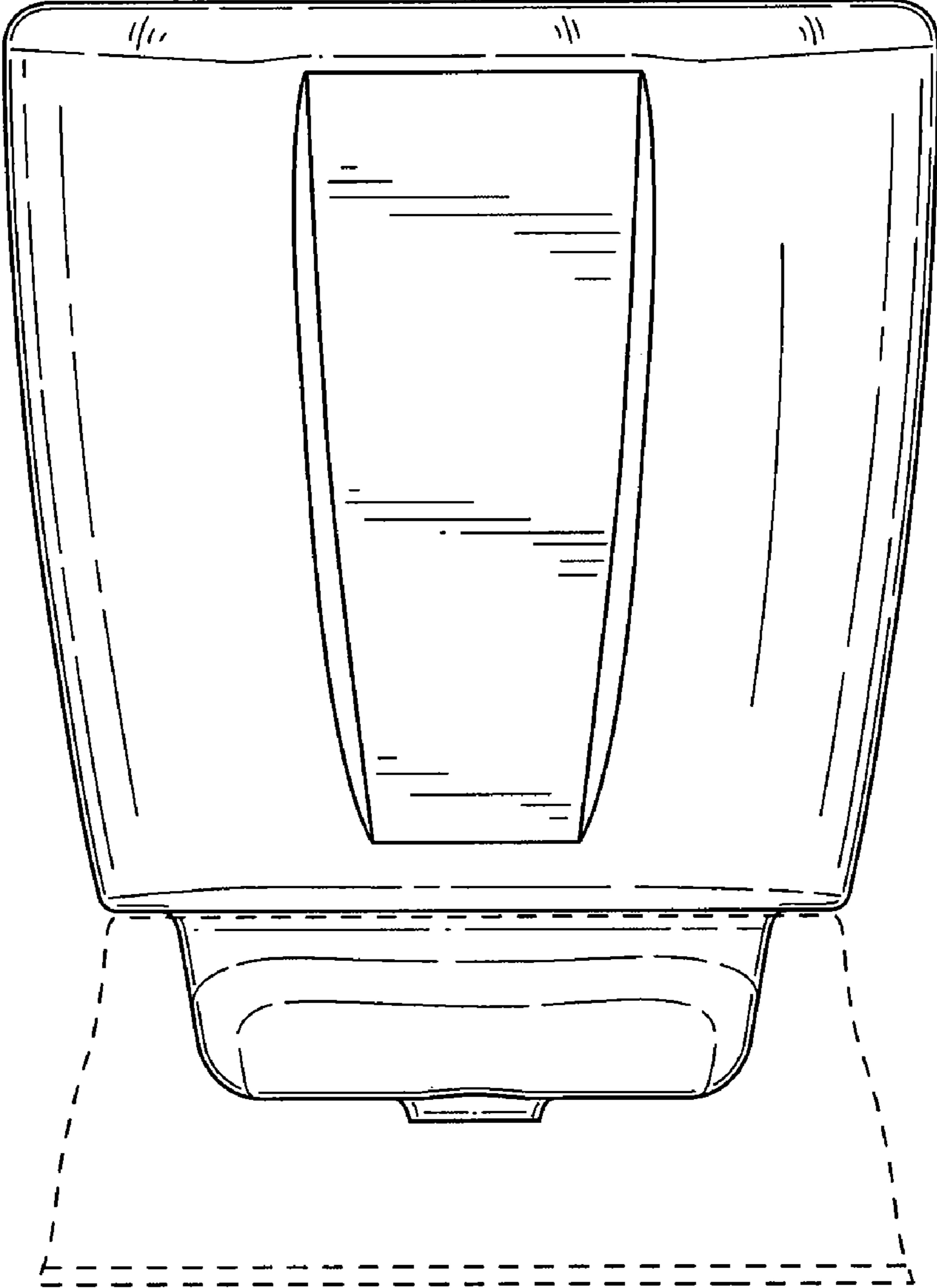


FIG.5

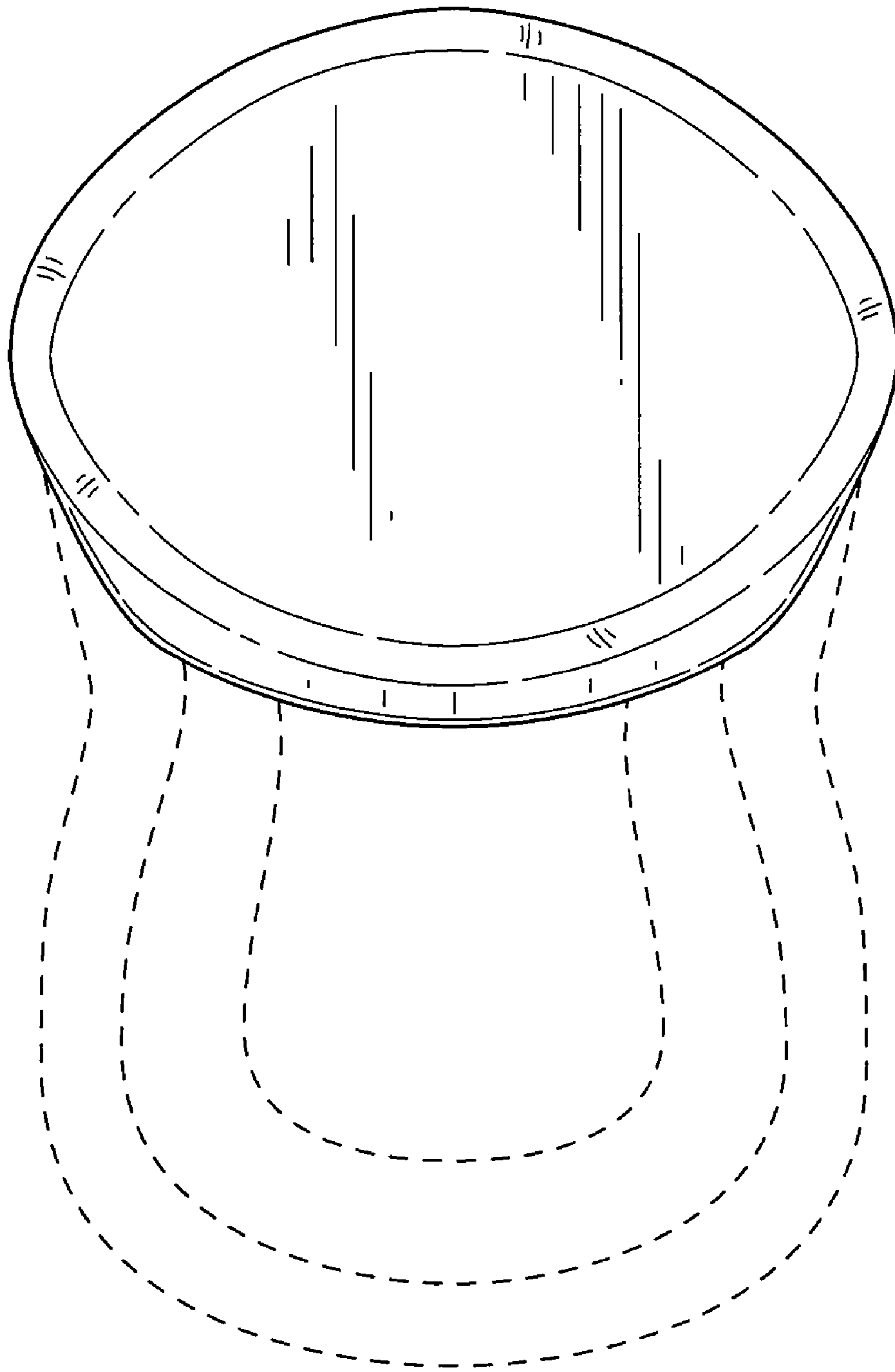


FIG.6

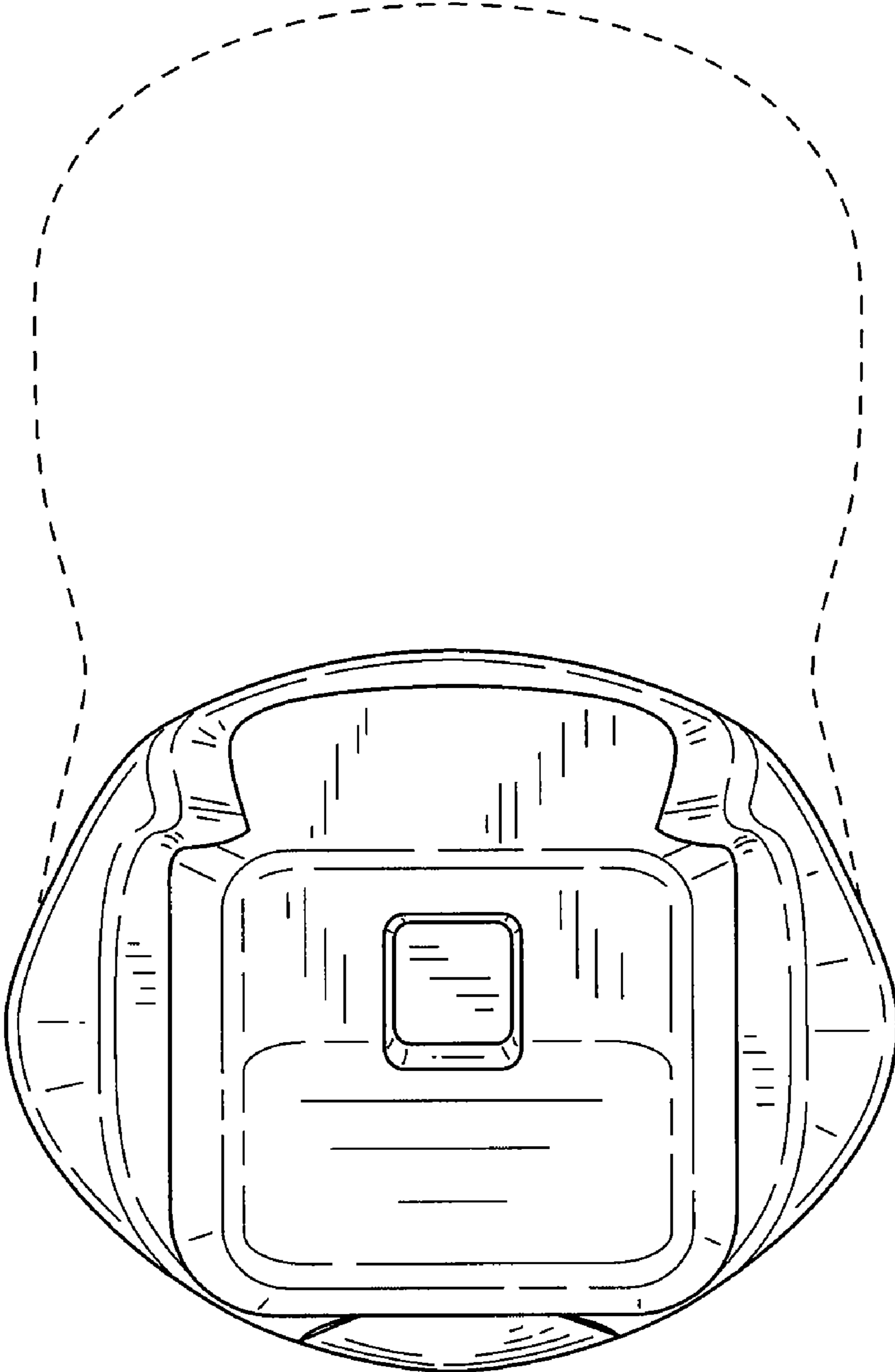


FIG.7