



US00D637761S

(12) **United States Design Patent**
Kikawa

(10) **Patent No.:** **US D637,761 S**

(45) **Date of Patent:** **** May 10, 2011**

(54) **NOSE HAIR TRIMMER**

(75) Inventor: **Yoshihiro Kikawa**, Kawasaki (JP)

(73) Assignee: **Panasonic Electric Works Co., Ltd.**,
Kadoma-shi (JP)

(**) Term: **14 Years**

(21) Appl. No.: **29/375,622**

(22) Filed: **Sep. 24, 2010**

(30) **Foreign Application Priority Data**

Mar. 24, 2010 (JP) 2010-007065

(51) **LOC (9) Cl.** **28-03**

(52) **U.S. Cl.** **D28/53**

(58) **Field of Classification Search** D28/49-54;
30/29.5, 30, 32, 43-43.92, 34.05, 34.1-34.2,
30/44-45, 196, 201, 223, 233, 233.5
See application file for complete search history.

(56) **References Cited**

U.S. PATENT DOCUMENTS

D368,984 S *	4/1996	Nakashima et al.	D28/53
D437,453 S *	2/2001	Pinchuk	D28/44
D455,229 S *	4/2002	Lau	D28/53
D486,606 S *	2/2004	Goetschi	D28/53
D503,495 S *	3/2005	Maeda	D28/53
D514,257 S *	1/2006	Bokelman-Dumas	D28/53

D524,486 S *	7/2006	Ng	D28/53
D536,136 S *	1/2007	Kitagawa	D28/53
D561,941 S *	2/2008	Khubani	D28/53
D602,202 S *	10/2009	Leventhal	D28/53
2005/0028369 A1 *	2/2005	Cocchiarella et al.	30/29.5

* cited by examiner

Primary Examiner — Jennifer Rivard

(74) *Attorney, Agent, or Firm* — Marvin A. Motsenbocker;
Mots Law, PLLC

(57) **CLAIM**

The ornamental design for a nose hair trimmer, as shown and described.

DESCRIPTION

FIG. 1 is a front perspective view of the nose hair trimmer;
FIG. 2 is a front view thereof;
FIG. 3 is a right side view thereof;
FIG. 4 is a left side view thereof;
FIG. 5 is a top plan view thereof;
FIG. 6 is a rear view thereof;
FIG. 7 is a bottom plan view thereof;
FIG. 8 is a front perspective view thereof showing use with an attached cap; and,
FIG. 9 is a rear perspective view thereof showing use with an attached cap.

The cap has been removed from the disclosure in FIGS. 1-7 for convenience of illustration.

1 Claim, 9 Drawing Sheets

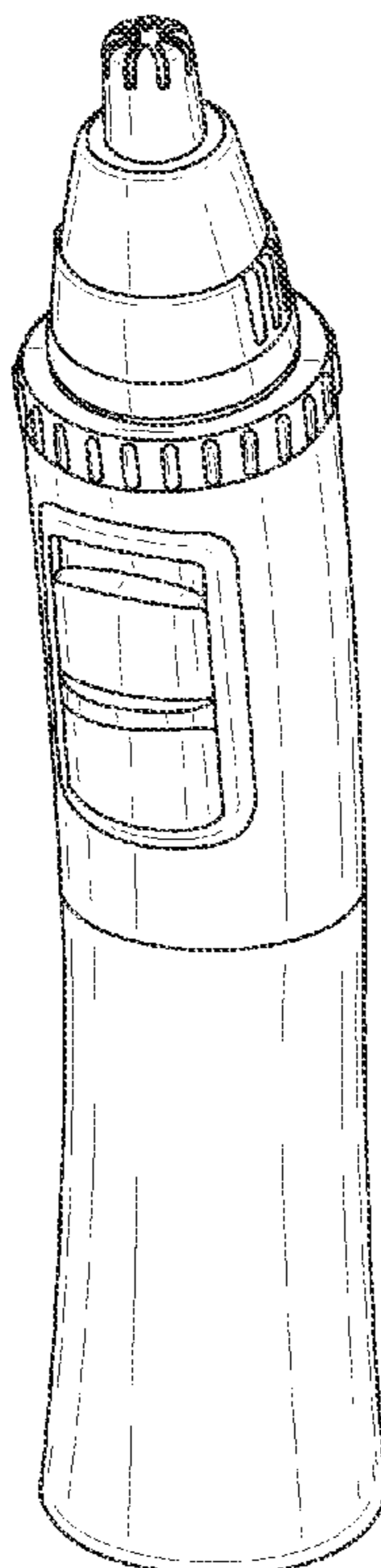


Fig. 1

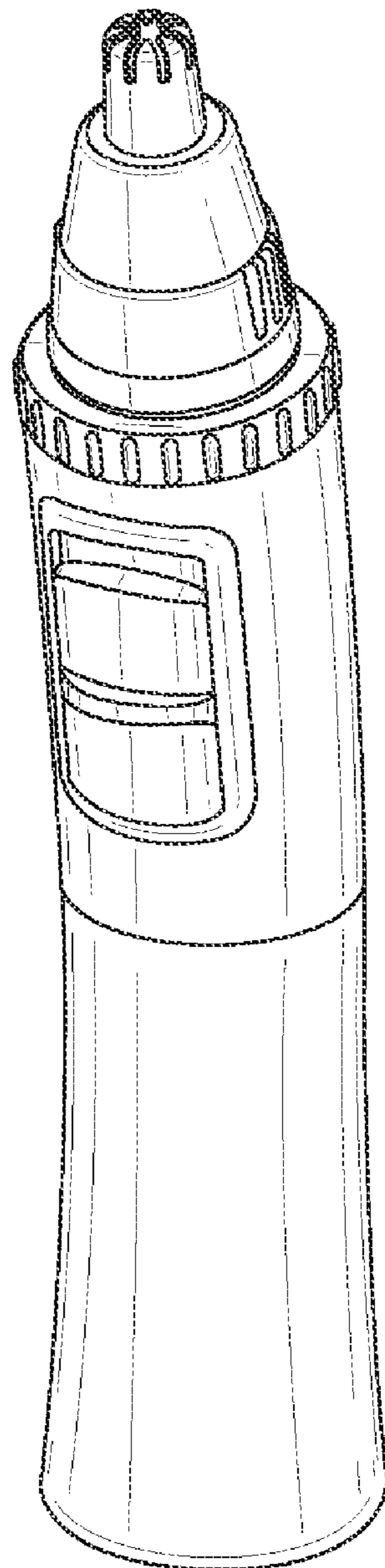


Fig. 2

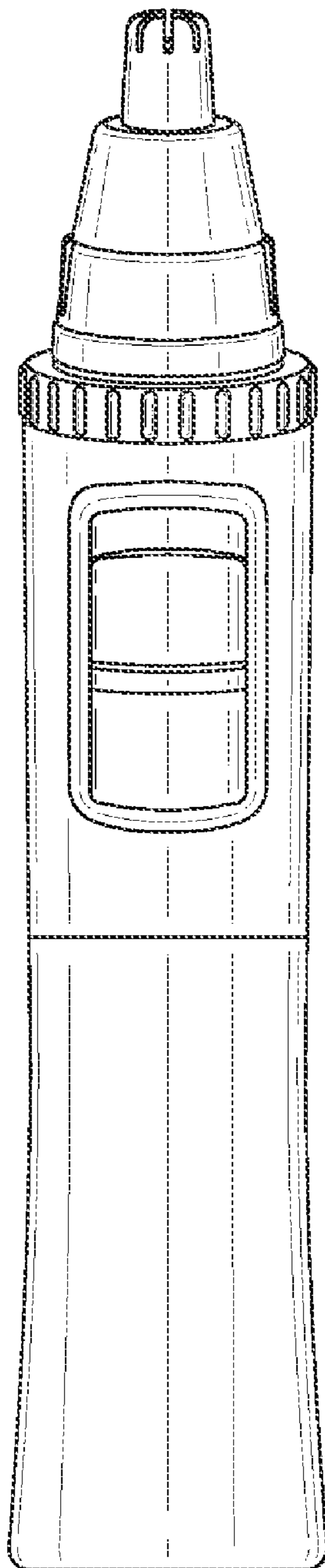


Fig. 3

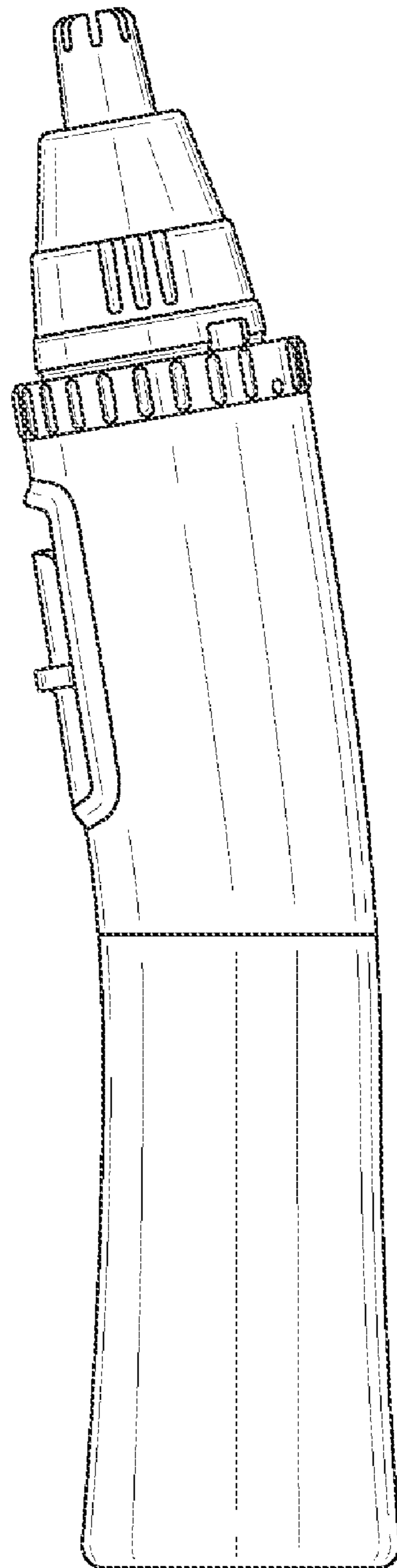


Fig. 4

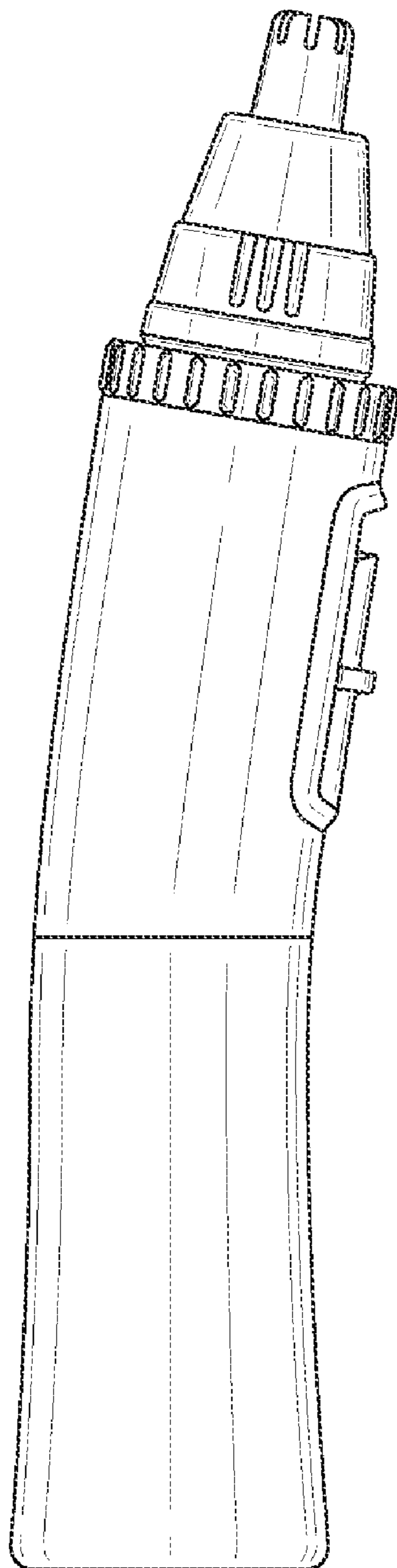


Fig. 5

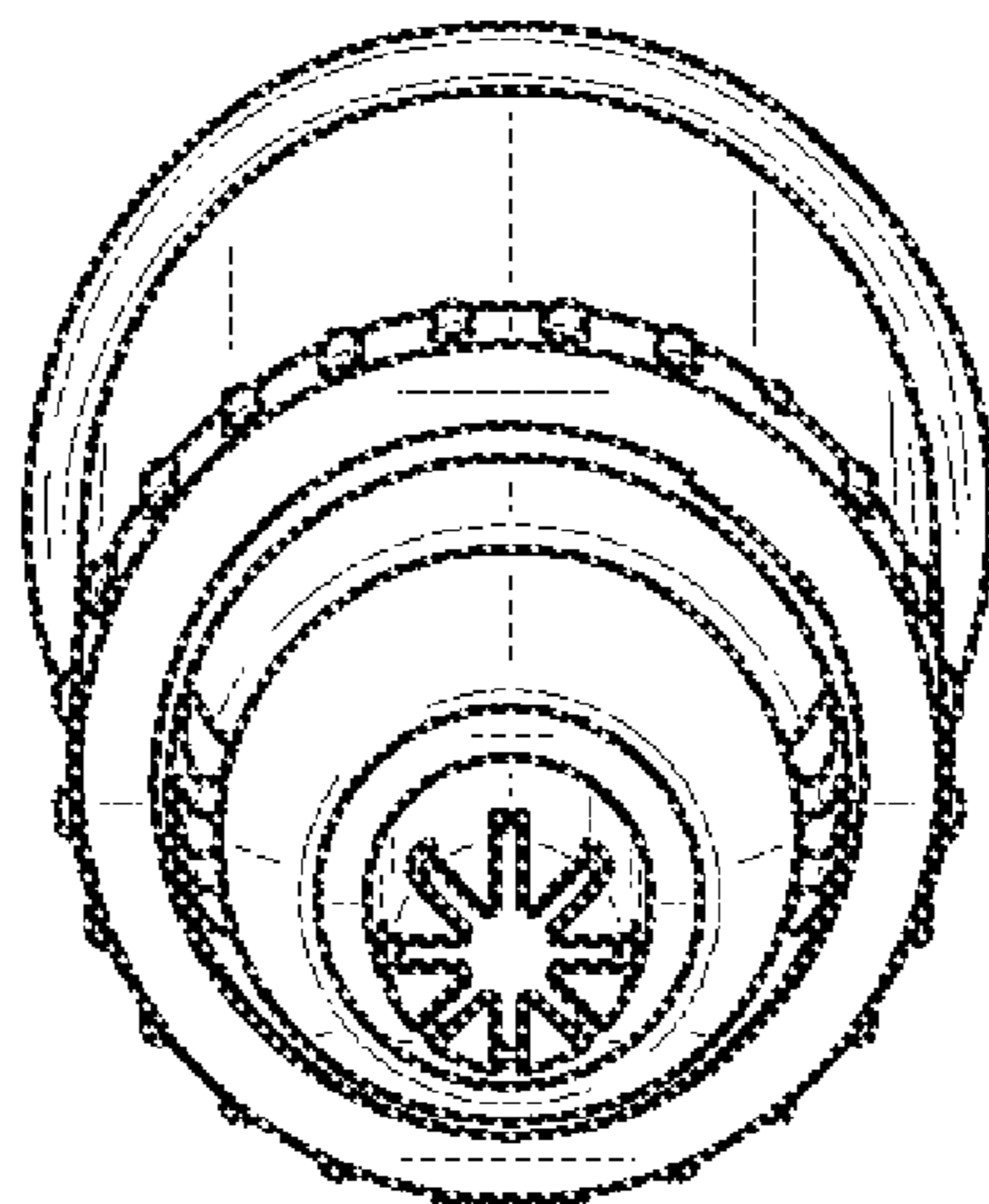


Fig. 6

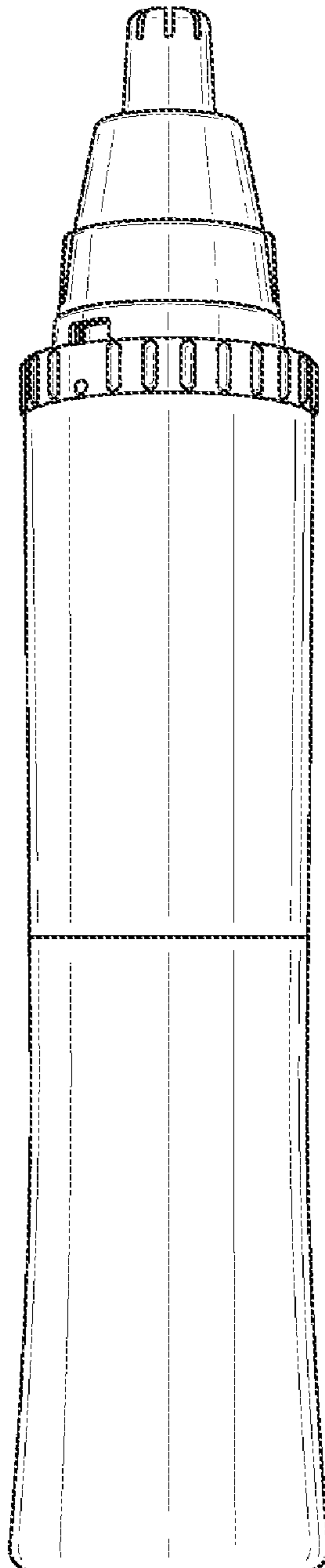


Fig. 7

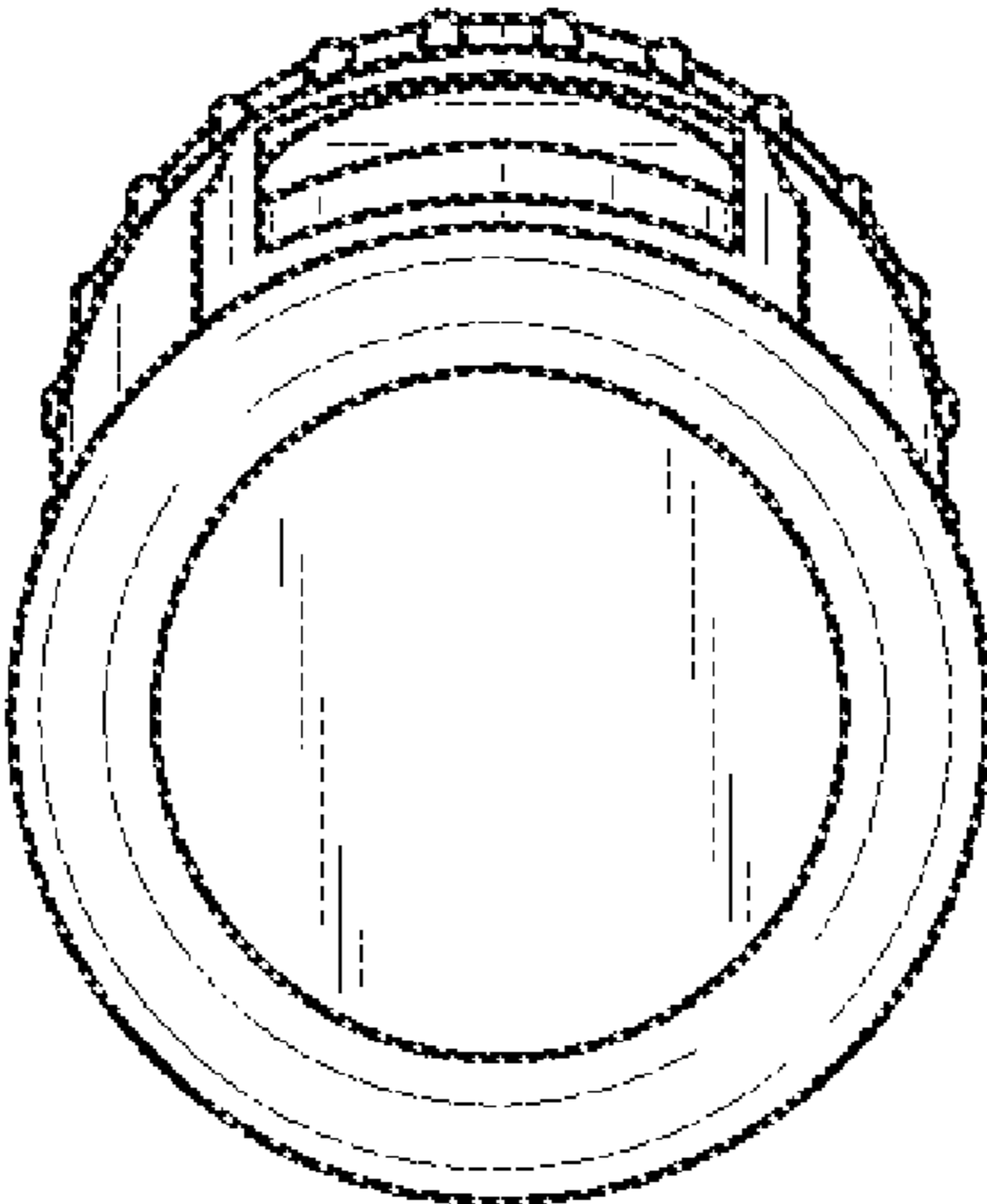


Fig. 8

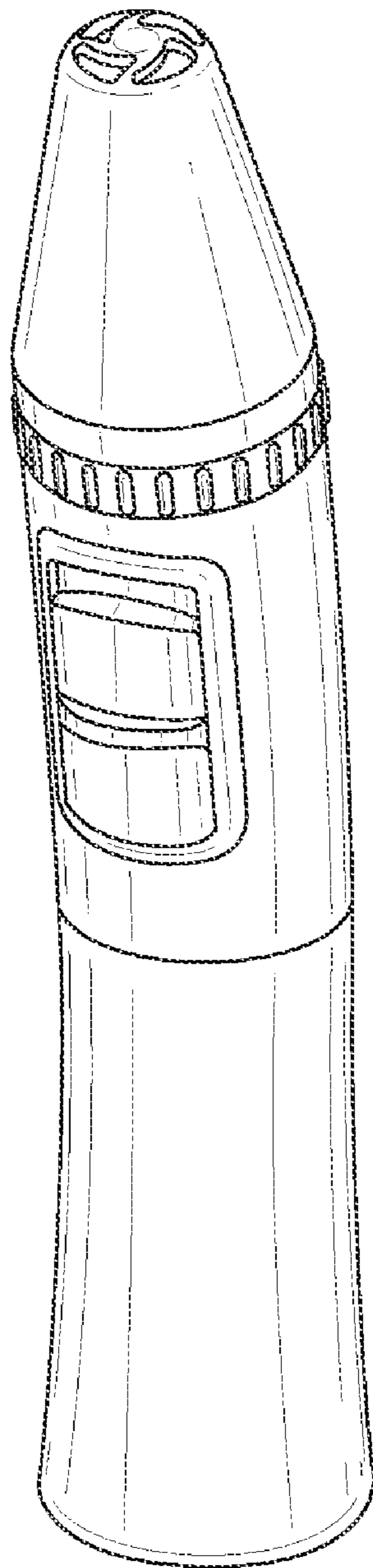


Fig. 9

