



US00D637757S

(12) **United States Design Patent**
Gutman

(10) **Patent No.:** **US D637,757 S**

(45) **Date of Patent:** **** May 10, 2011**

(54) **SCISSOR CIGAR CUTTER**

(75) Inventor: **Alberto Gutman**, Miami, FL (US)

(73) Assignee: **Nicaragua Tobacco Imports, Inc.**,
Miami, FL (US)

(**) Term: **14 Years**

(21) Appl. No.: **29/345,357**

(22) Filed: **Oct. 14, 2009**

Related U.S. Application Data

(63) Continuation of application No. 11/668,369, filed on
Jan. 29, 2007, now abandoned.

(51) **LOC (9) Cl.** **27-99**

(52) **U.S. Cl.** **D27/195**

(58) **Field of Classification Search** D27/194,
D27/195; D8/51, 52, 57, 60; 131/233
See application file for complete search history.

(56) **References Cited**

U.S. PATENT DOCUMENTS

242,340	A	*	5/1881	Lieb	30/112
5,303,721	A	*	4/1994	Bowen et al.	131/248
D375,576	S	*	11/1996	Mesco	D27/195
D391,016	S	*	2/1998	Marusiak	D27/195
5,715,602	A	*	2/1998	Hage	30/113
D396,125	S	*	7/1998	Chen	D27/195
D409,795	S	*	5/1999	White et al.	D27/195
D410,109	S	*	5/1999	Van Keppel et al.	D27/195
D413,408	S	*	8/1999	White et al.	D27/195
5,937,523	A		8/1999	Van Keppel et al.		
D414,894	S	*	10/1999	Chen	D27/195
5,974,668	A		11/1999	Butzer		

D447,277	S	*	8/2001	Lion et al.	D27/195
D455,521	S	*	4/2002	Park	D27/195
D543,080	S	*	5/2007	Haquin	D8/57
D554,961	S	*	11/2007	Kurz	D8/57
D569,034	S	*	5/2008	Gutman	D27/195
D577,151	S	*	9/2008	Smith	D27/195
D617,496	S	*	6/2010	Wong	D27/195

* cited by examiner

Primary Examiner — Stella M Reid

Assistant Examiner — Keli L Hill

(74) *Attorney, Agent, or Firm* — Jose Gutman; Fleit Gibbons
Gutman Bongini & Bianco PL

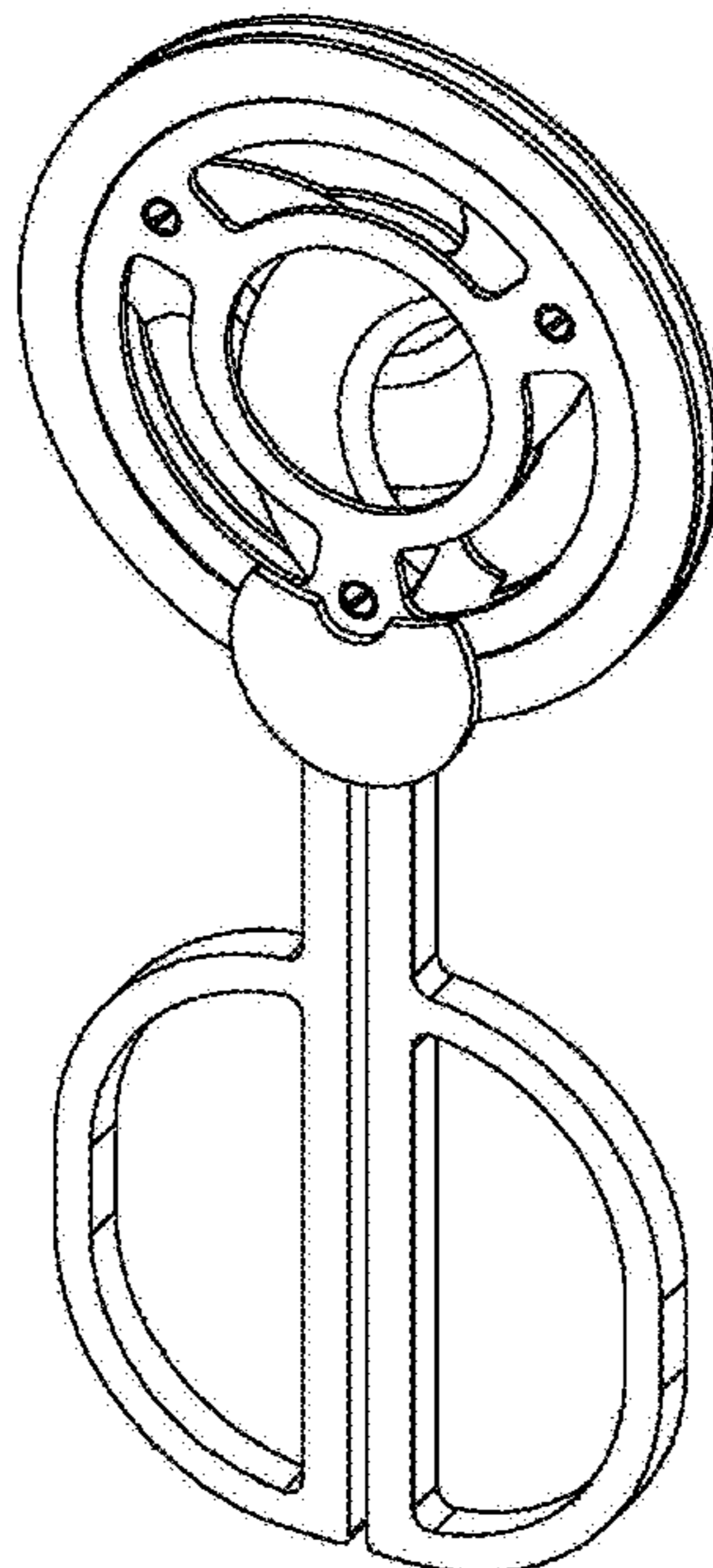
(57) **CLAIM**

The ornamental design for a scissor cigar cutter, as shown and
described.

DESCRIPTION

FIG. 1 is a front view of a scissor cigar cutter in a closed
position, showing my new design;
FIG. 2 is a right side view of the scissor cigar cutter of FIG. 1;
FIG. 3 is a front view thereof in an open position;
FIG. 4 is a front view thereof in a partially open position;
FIG. 5 is a rear view thereof in a closed position; and
FIG. 6 is a left view thereof; and
FIG. 7 is a top view thereof;
FIG. 8 is a bottom view thereof;
FIG. 9 is a perspective view thereof;
FIG. 10 is an exploded view thereof;
FIG. 11 is an exploded view of one ring and handle of the
scissor cigar cutter; and,
FIG. 12 is an exploded view of a second ring and handle of the
scissor cigar cutter.

1 Claim, 7 Drawing Sheets



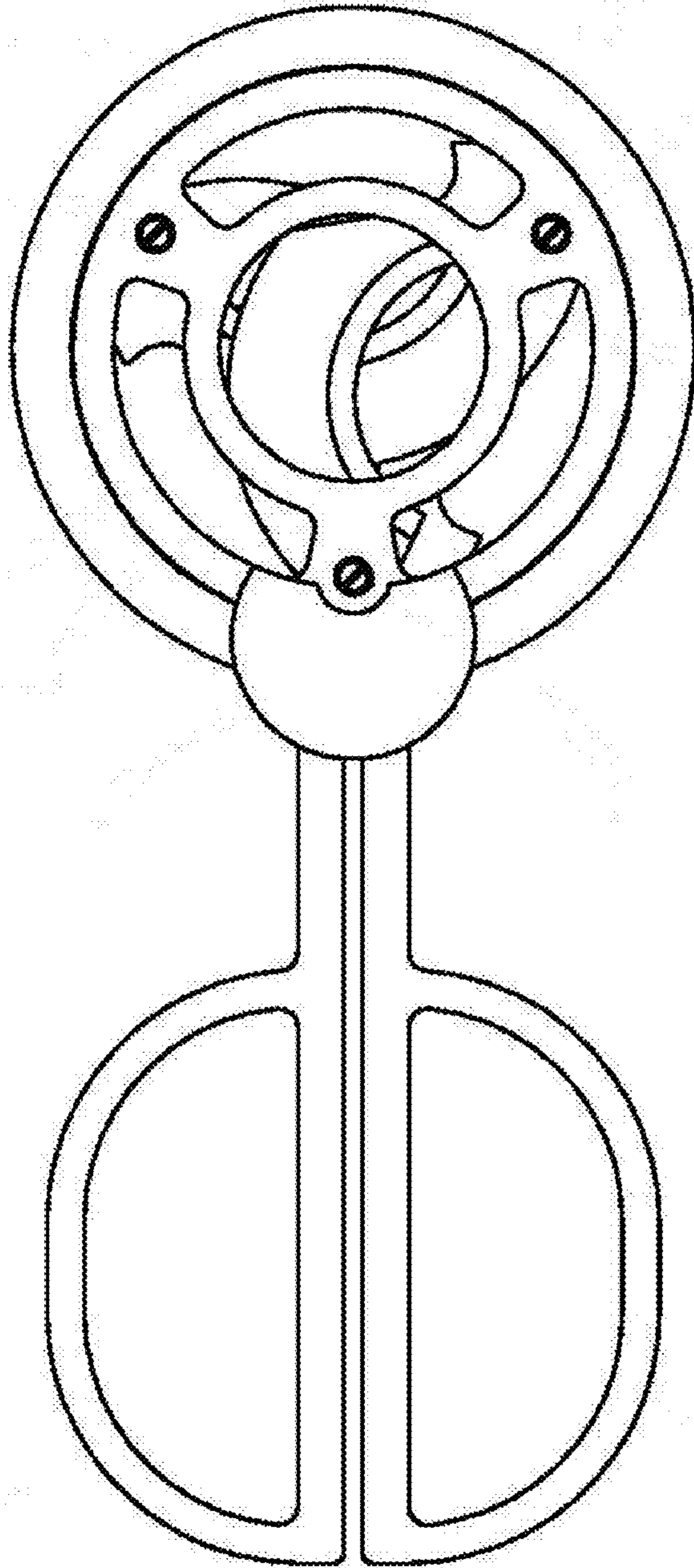


FIG. 1



FIG. 2

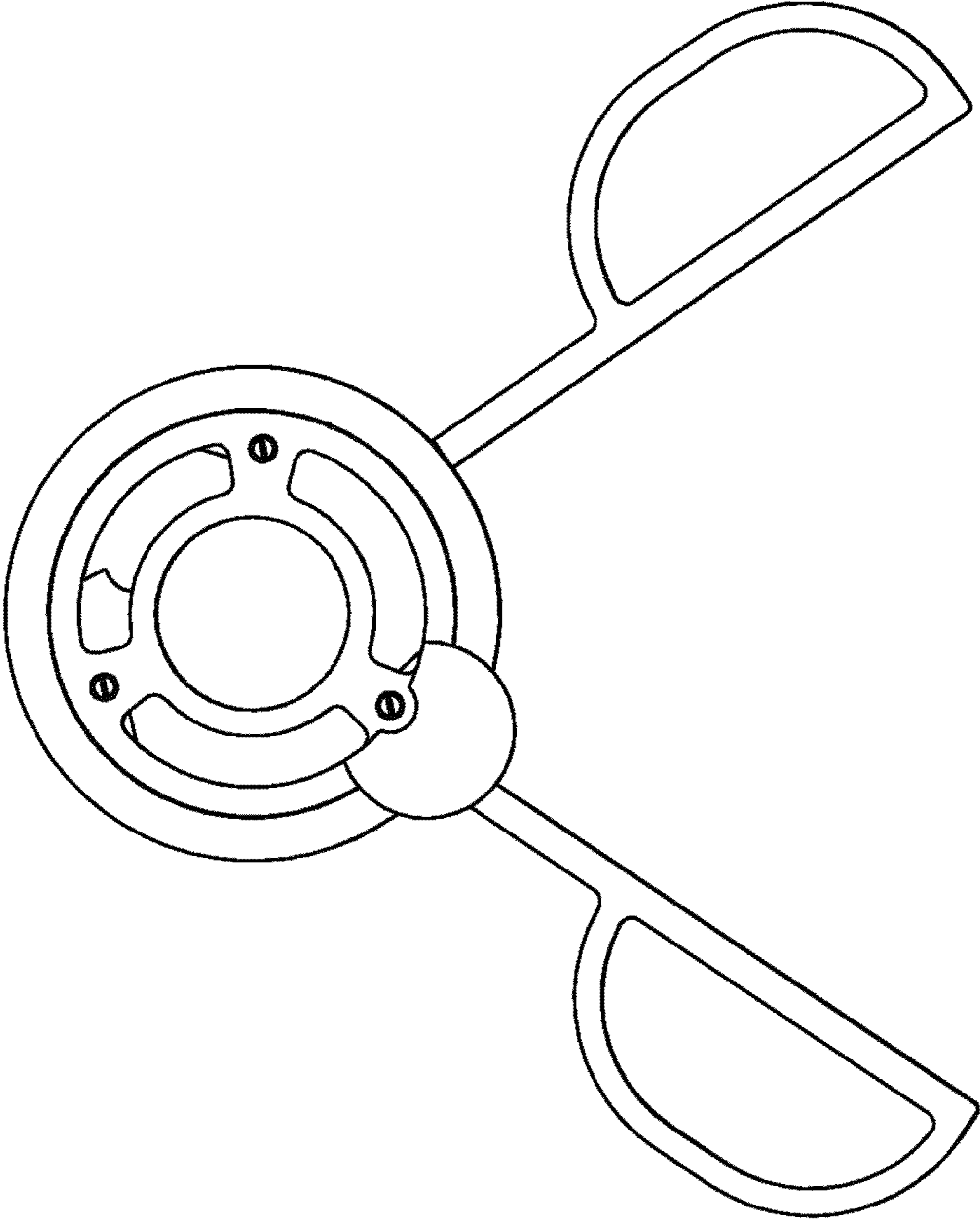


FIG. 3

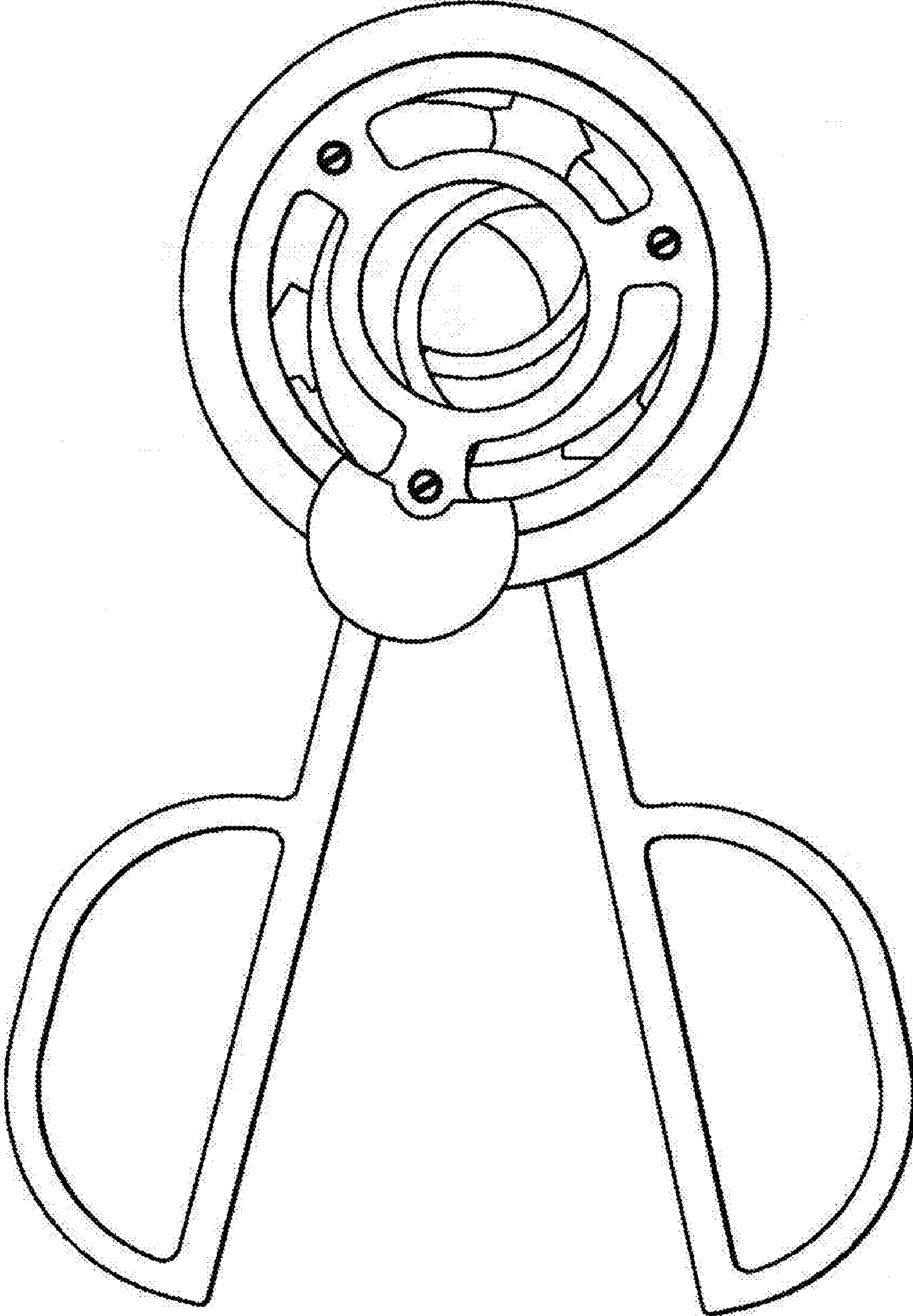


FIG. 4

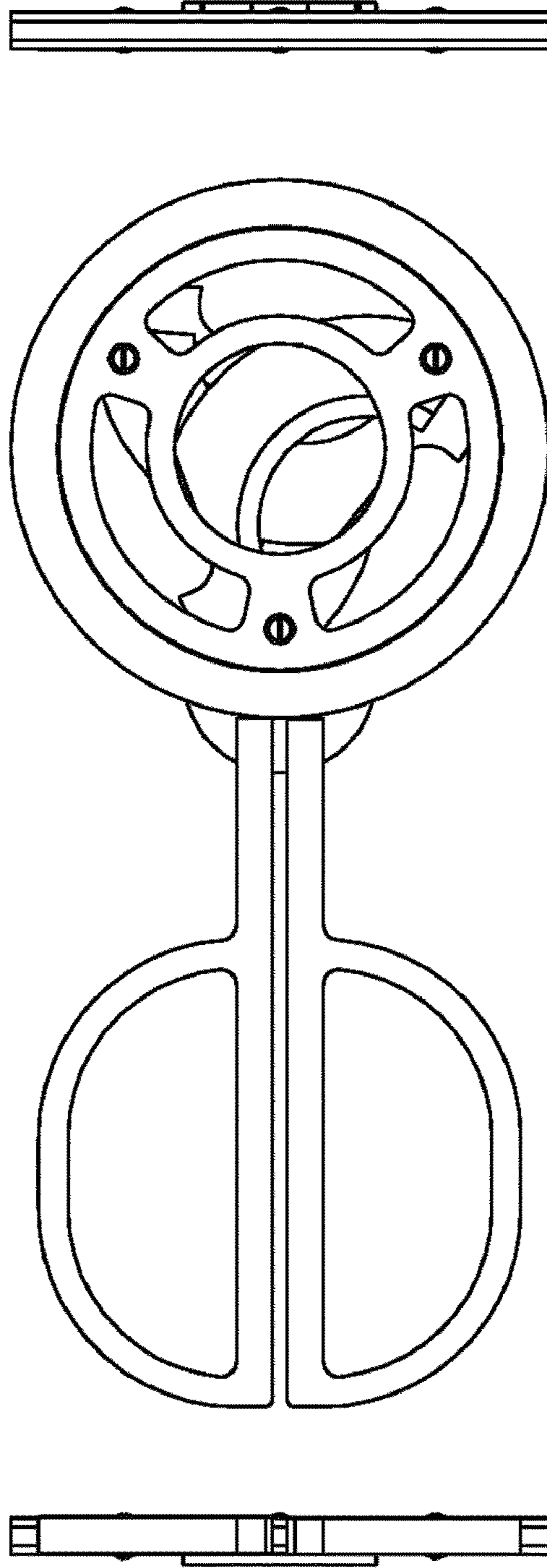


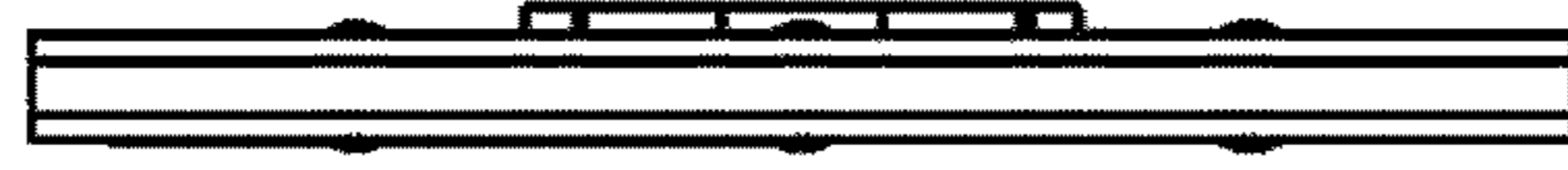
FIG. 7

FIG. 5

FIG. 8



FIG. 6



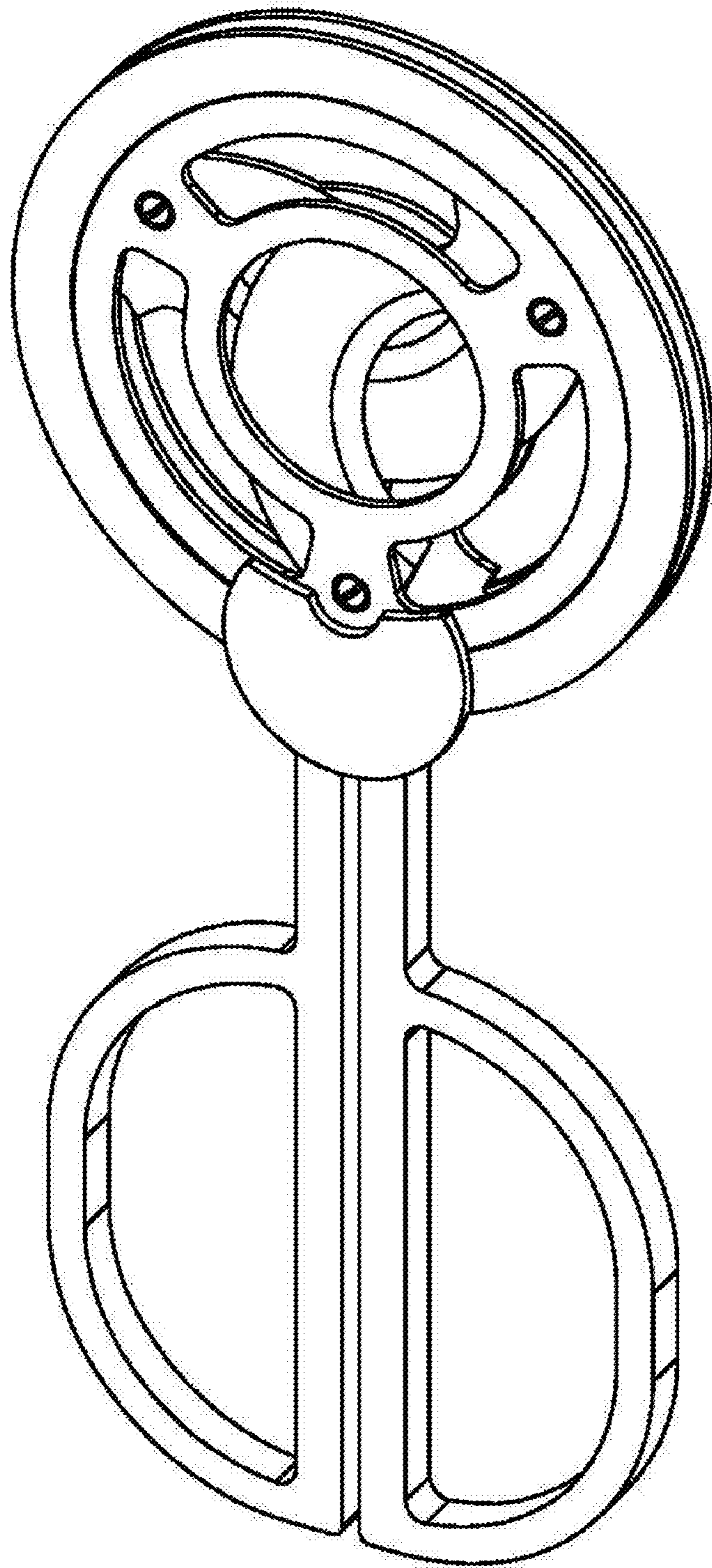


FIG. 9

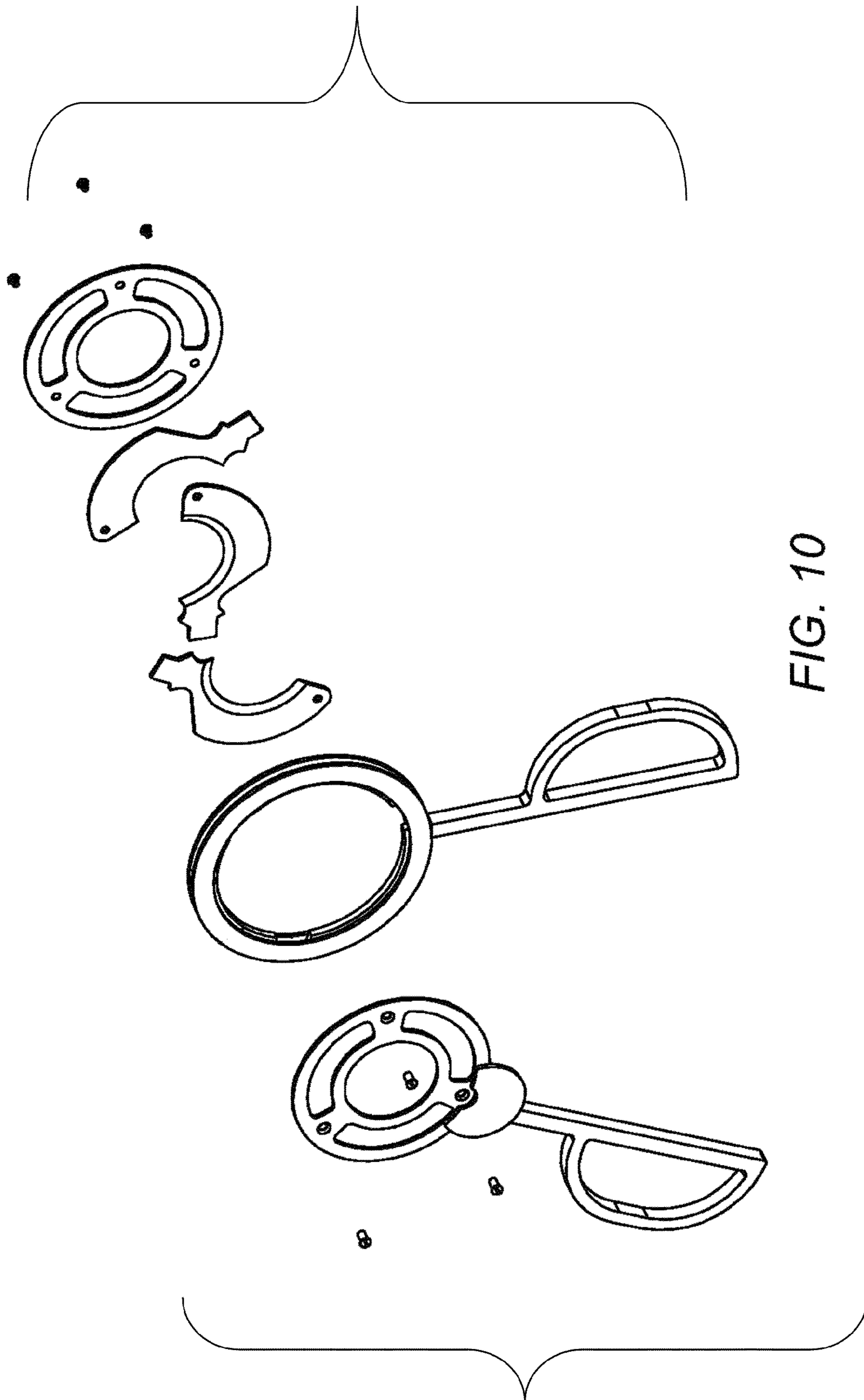


FIG. 10

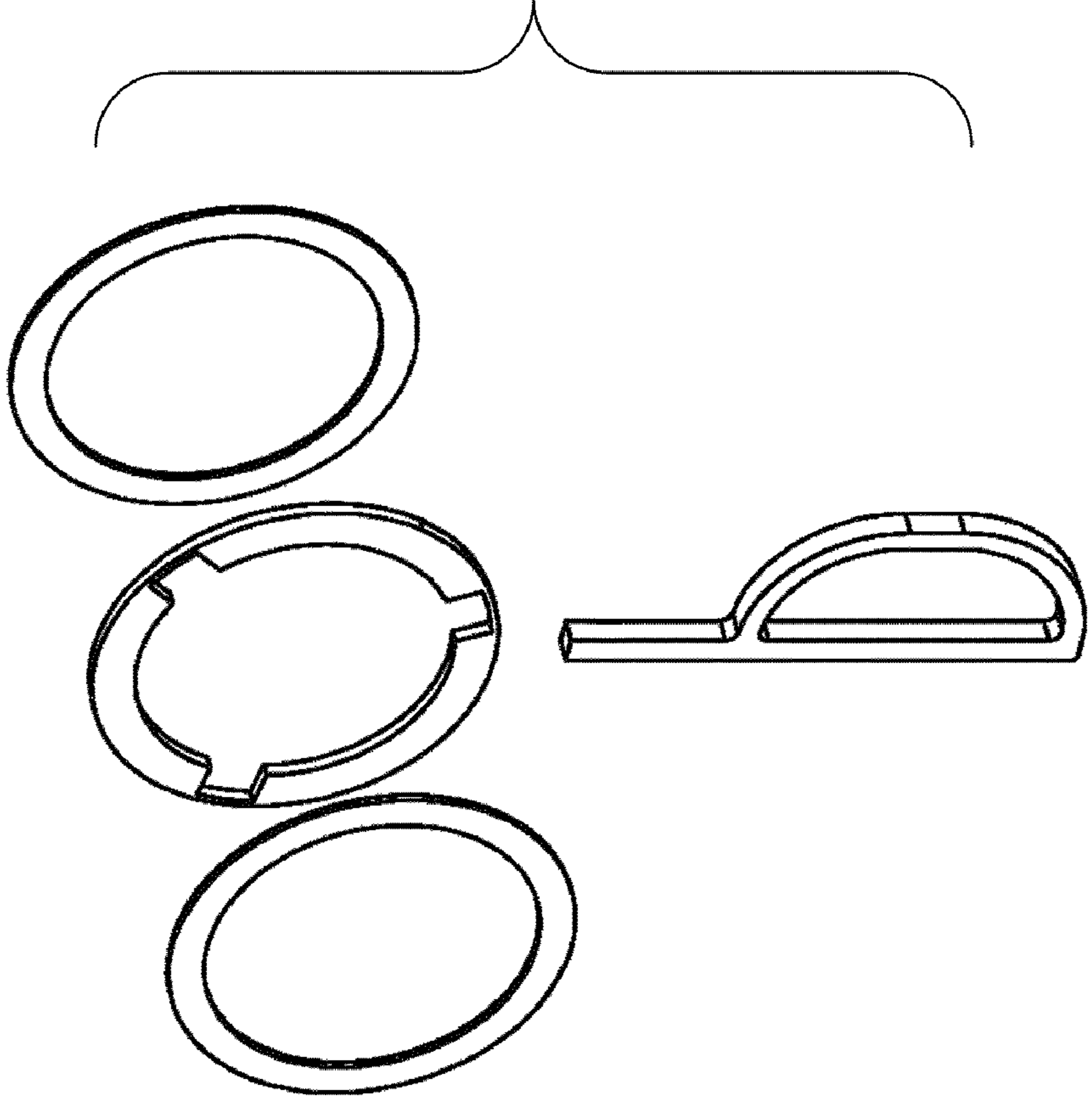


FIG. 12

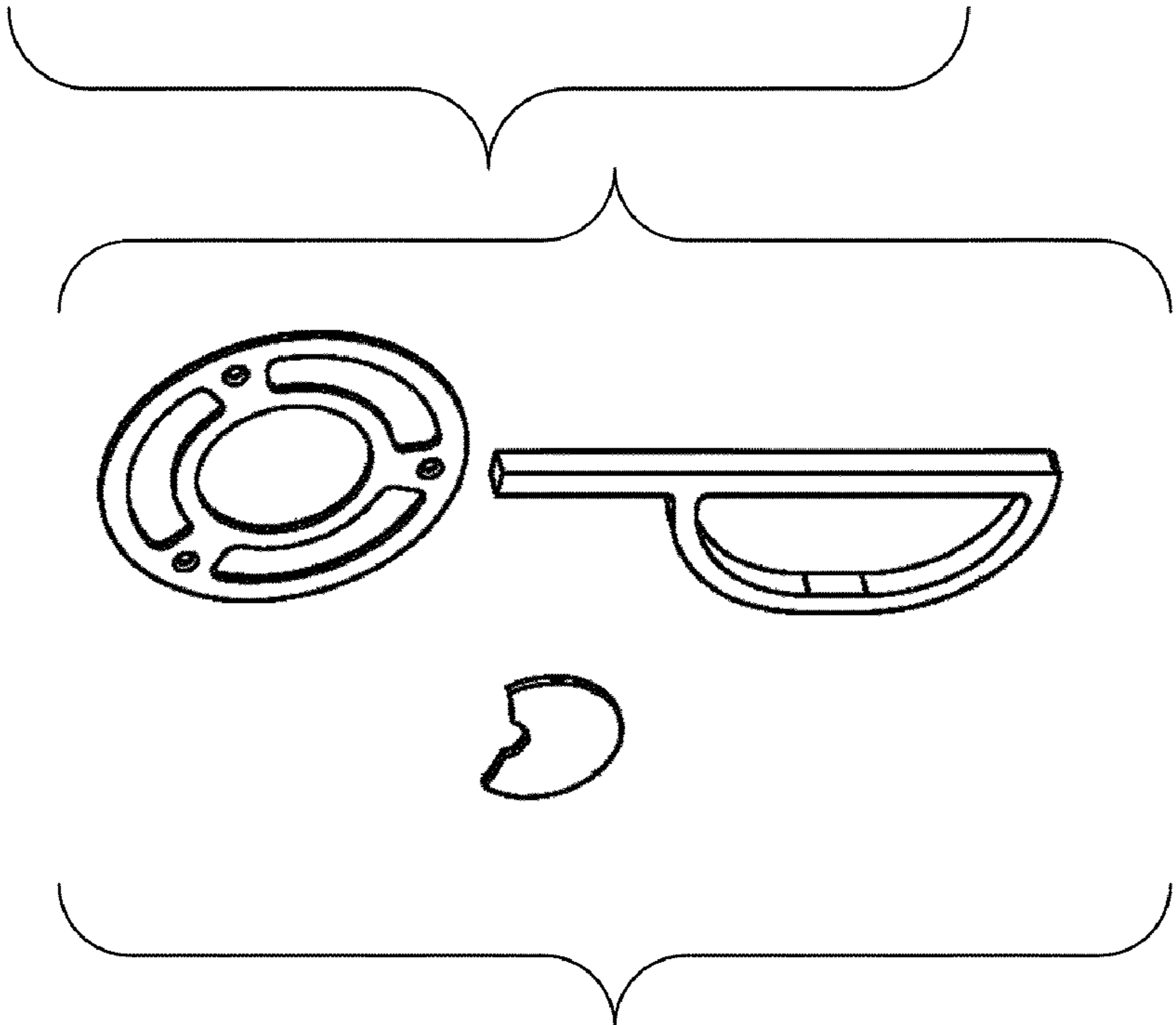


FIG. 11