



US00D637754S

(12) **United States Design Patent**
Baker et al.

(10) **Patent No.:** **US D637,754 S**

(45) **Date of Patent:** **** *May 10, 2011**

- (54) **POSITIONABLE REFLECTOR**
- (75) Inventors: **John B. Baker**, Aptos, CA (US); **Erik Sowder**, Santa Cruz, CA (US)
- (73) Assignee: **ExpoImaging, Inc.**, Watsonville, CA (US)
- (*) Notice: This patent is subject to a terminal disclaimer.
- (**) Term: **14 Years**
- (21) Appl. No.: **29/362,766**
- (22) Filed: **May 28, 2010**
- (51) **LOC (9) Cl.** **26-99**
- (52) **U.S. Cl.** **D26/118**
- (58) **Field of Classification Search** D26/138, D26/63, 128, 124, 24, 87, 145, 155, 140, D26/85, 113, 142, 118, 64, 2, 3, 68, 71, 67, D26/76, 65, 120; 362/219, 249.01, 249.02, 362/249.03, 249.04, 249.05, 249.06, 249.07, 362/249.08, 249.09, 249.1, 249.11, 580, 362/373, 290, 362, 183, 240, 294; D7/532, D7/530, 529, 523, 531, 587; D11/152, 153, D11/146; D16/134, 135, 101; 439/110, 439/698, 417, 320; D13/134, 179, 180
See application file for complete search history.

4,824,194	A *	4/1989	Karasawa	385/146
4,934,093	A	6/1990	Yanna		
4,945,675	A	8/1990	Kendrick		
D320,865	S *	10/1991	Chang	D26/108
D376,440	S *	12/1996	Chan	D26/65
5,651,086	A *	7/1997	Russell	385/146
D385,635	S	10/1997	Nebelsieck		
5,673,995	A	10/1997	Segaud		
5,680,496	A	10/1997	Burkitt et al.		
D402,393	S	12/1998	Kuo		
5,872,883	A *	2/1999	Ohba et al.	385/129
D424,232	S *	5/2000	Tihany	D26/87
6,123,443	A	9/2000	Conway		
6,449,897	B1	9/2002	Gaston		
6,630,783	B1	10/2003	Ono		
6,732,666	B2	5/2004	Layt		
D500,165	S	12/2004	Parres		

(Continued)

Primary Examiner — Cathron C Brooks
Assistant Examiner — Kevin K Rudzinski

(57) **CLAIM**
We claim the ornamental design for a positionable reflector, as shown and described.

DESCRIPTION

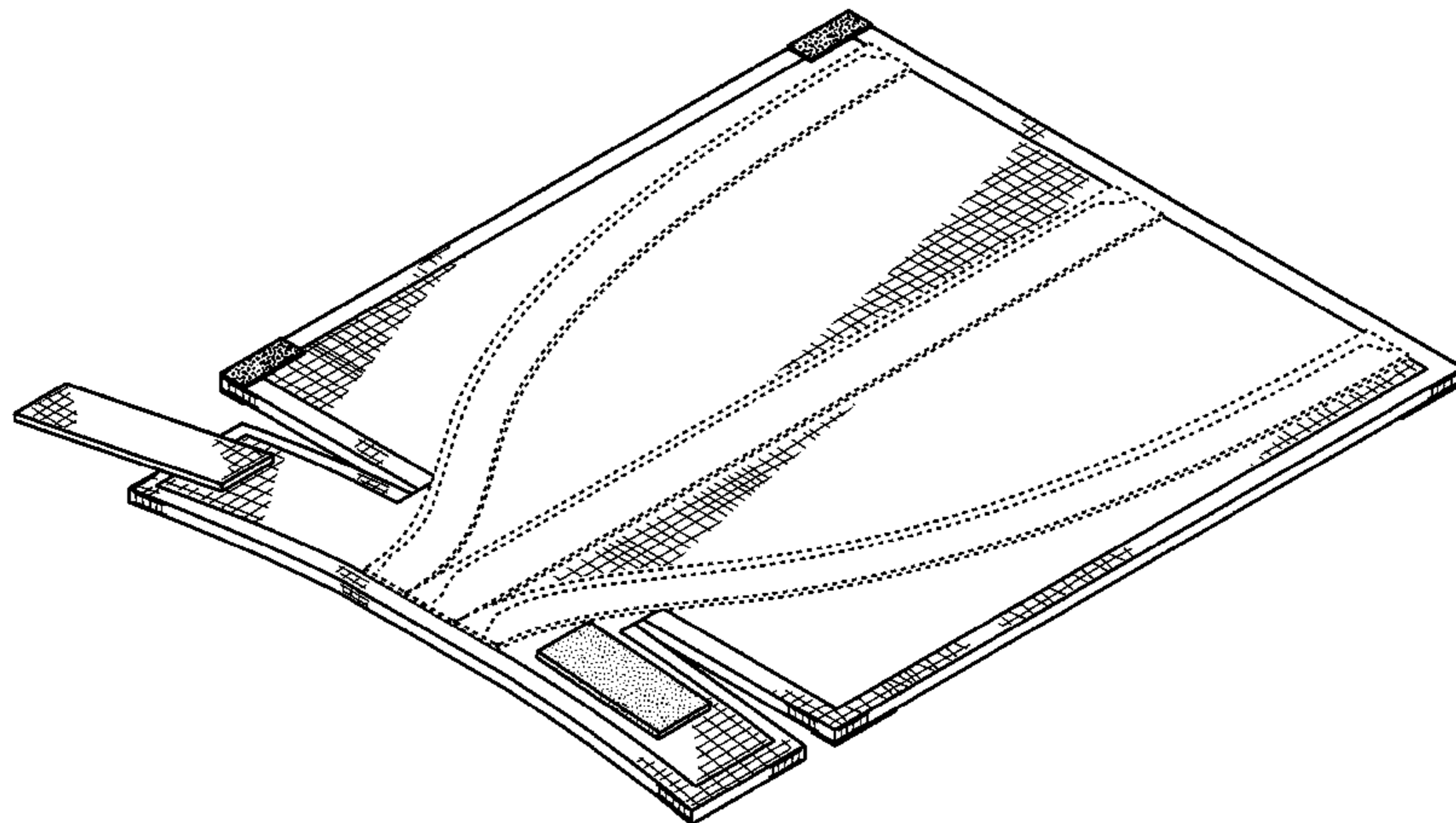
FIG. 1 is a lower right front perspective view of my positionable reflector with unclaimed features shown in dashed lines; FIG. 2 is a front elevational view of my positionable reflector with unclaimed features shown in dashed lines; FIG. 3 is a right side elevational view of my positionable reflector with unclaimed features shown in dashed lines; FIG. 4 is a top plan view of my positionable reflector with unclaimed features shown in dashed lines; FIG. 5 is a rear elevational view of my positionable reflector; FIG. 6 is a left side elevational view of my positionable reflector with unclaimed features shown in dashed lines; and, FIG. 7 is a bottom plan view of my positionable reflector with unclaimed features shown in dashed lines. The characteristic feature of the design resides in the capability of the positionable reflector to attain different shapes when in use installed on a light source.

1 Claim, 5 Drawing Sheets

(56) **References Cited**

U.S. PATENT DOCUMENTS

D93,321	S *	9/1934	Arras	D26/128
D148,099	S *	12/1947	Tanchuck	D26/140
D207,551	S *	5/1967	Spaulding	D26/71
3,497,750	A	2/1970	Knochel		
3,500,036	A	3/1970	Szentveri		
3,894,225	A	7/1975	Chao		
4,173,035	A	10/1979	Hoyt		
4,177,399	A	12/1979	Muccigrosso et al.		
4,458,177	A	7/1984	Hunter et al.		
4,513,023	A	4/1985	Wary		
4,730,146	A	3/1988	Maser et al.		



US D637,754 S

Page 2

U.S. PATENT DOCUMENTS

D541,971 S	5/2007	Hamel et al.	
D544,131 S *	6/2007	Blackman	D26/85
D548,872 S *	8/2007	Dubbeldam et al.	D26/85
D555,440 S	11/2007	Murray	
D560,301 S *	1/2008	Compton et al.	D26/85
D562,493 S *	2/2008	Chen	D26/88
D564,691 S *	3/2008	Ertze Encinas et al.	D26/69
7,347,606 B1	3/2008	Patten	
D569,539 S *	5/2008	Behar et al.	D26/63
D577,455 S *	9/2008	Zheng et al.	D26/71
D598,156 S *	8/2009	Xiao et al.	D26/69
D598,597 S *	8/2009	Lu et al.	D26/68
D606,231 S *	12/2009	Sabernig	D26/85
D609,383 S *	2/2010	Chang	D26/71
D609,387 S *	2/2010	Compton	D26/85
D610,287 S *	2/2010	Gill	D26/71
D617,032 S *	6/2010	Baylar	D26/85
D617,494 S	6/2010	Lin	
D622,432 S *	8/2010	Yan	D26/69

* cited by examiner

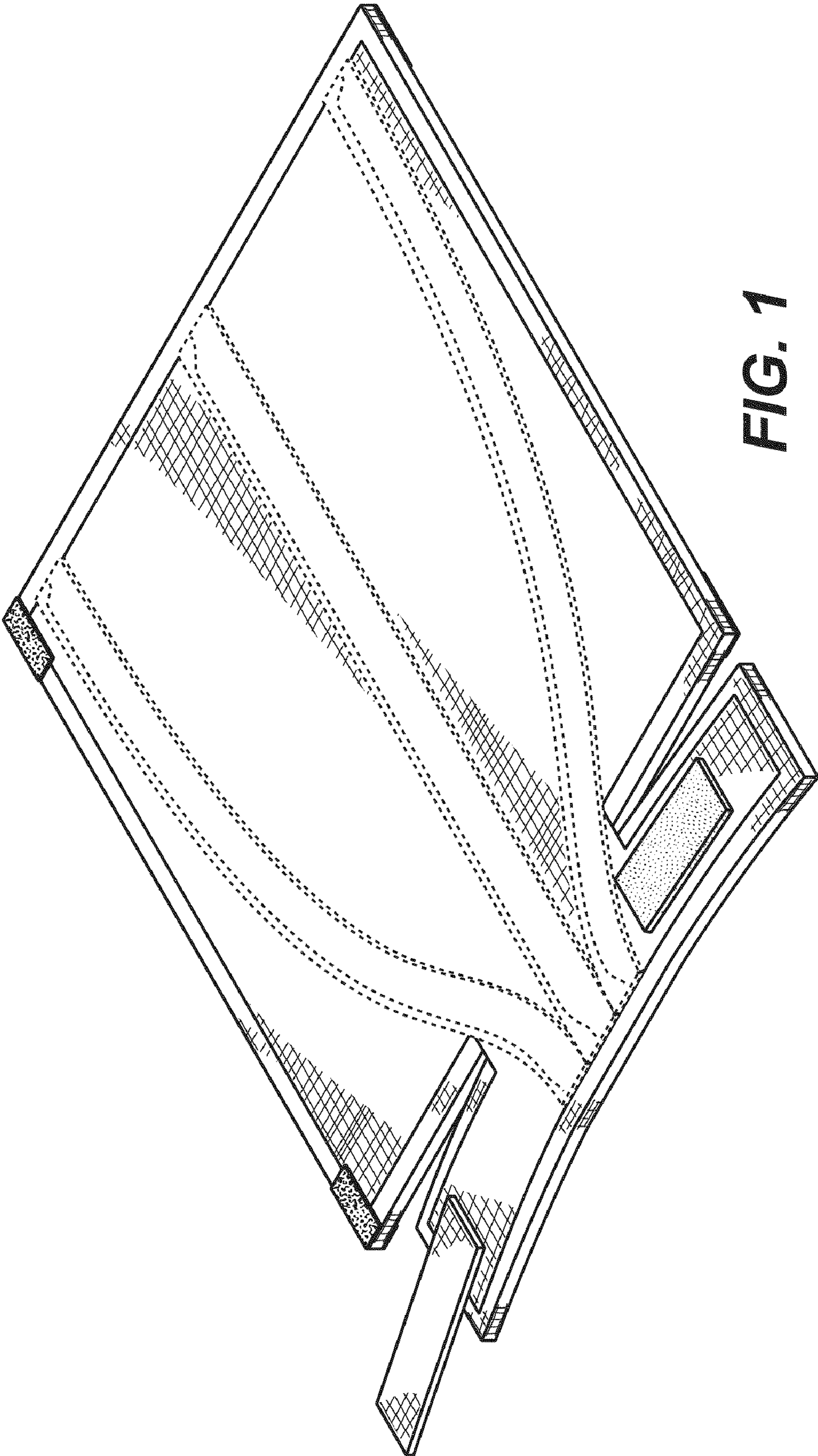


FIG. 1

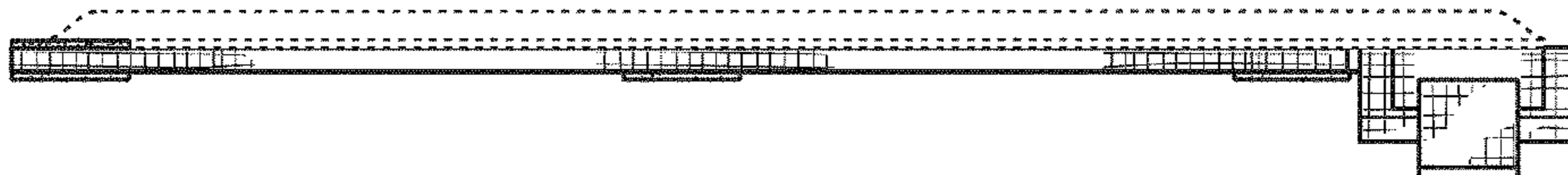


FIG. 3

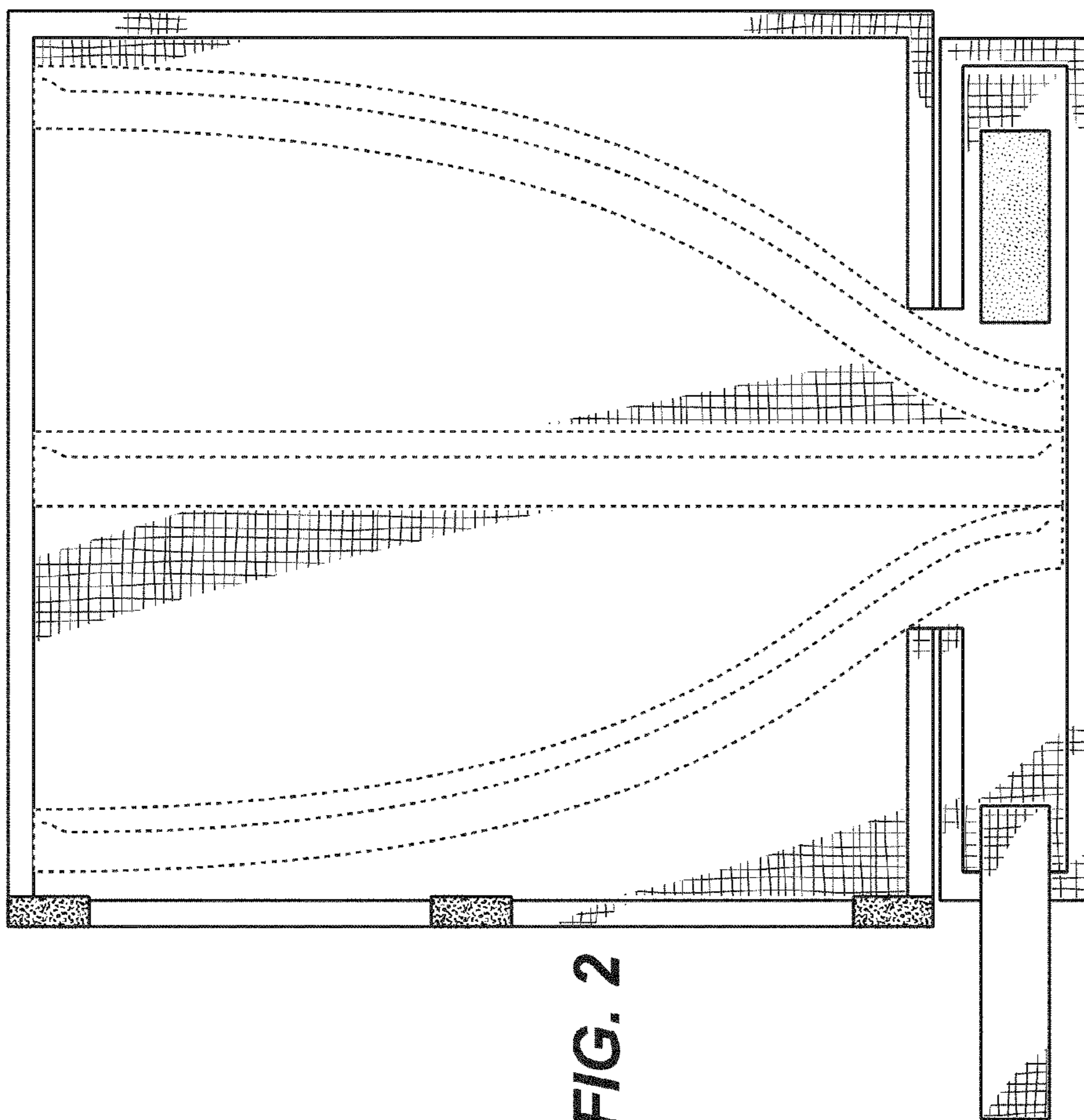


FIG. 2

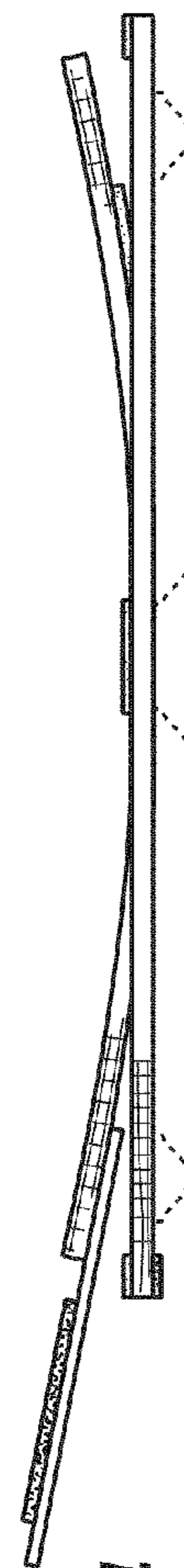


FIG. 4

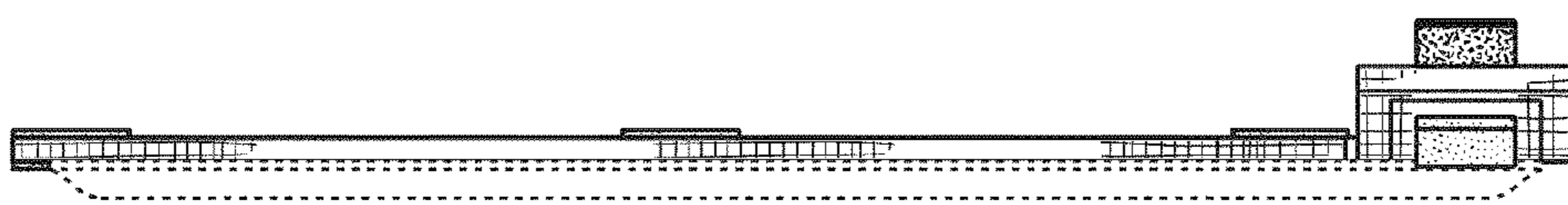


FIG. 6

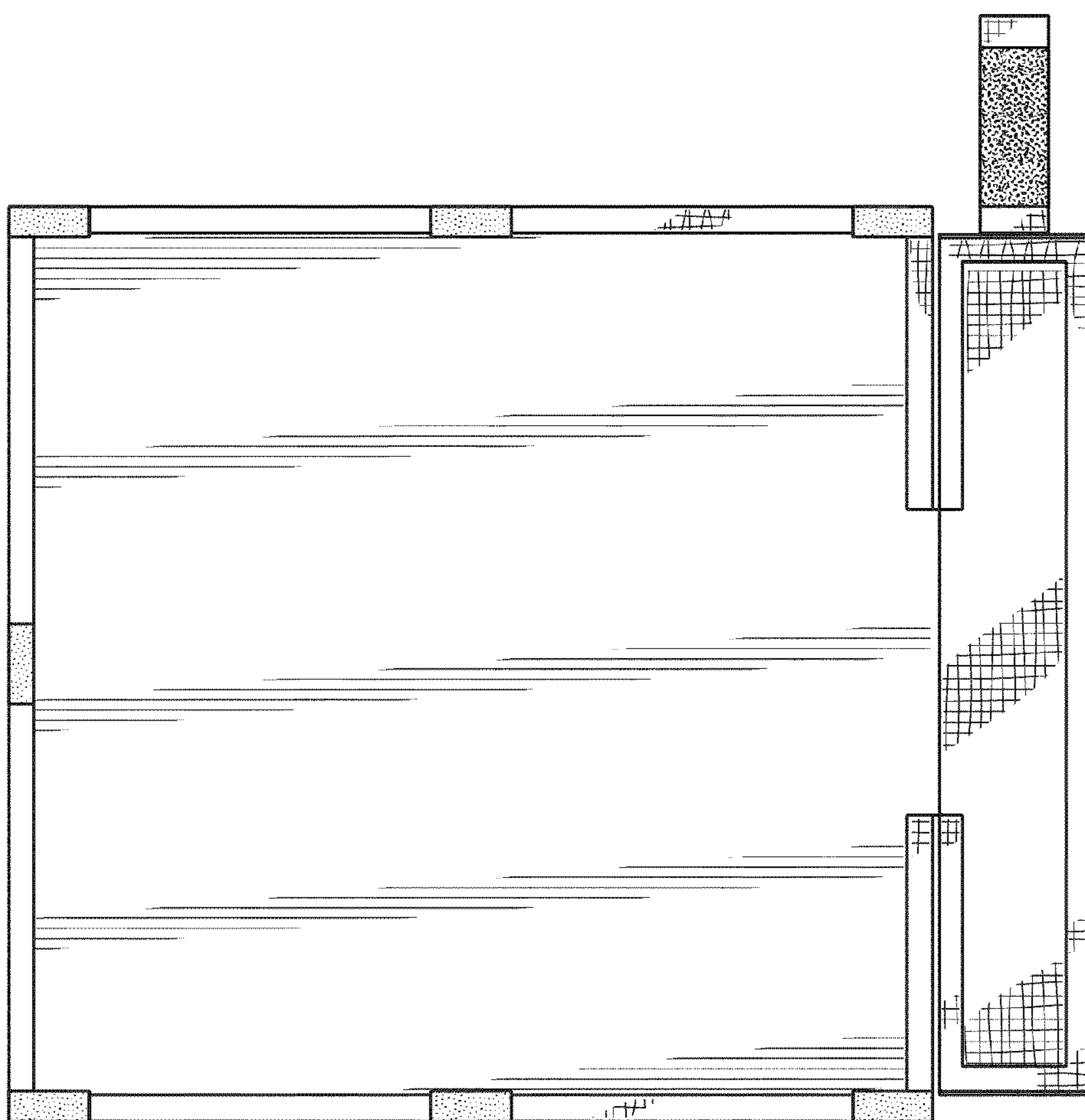


FIG. 5

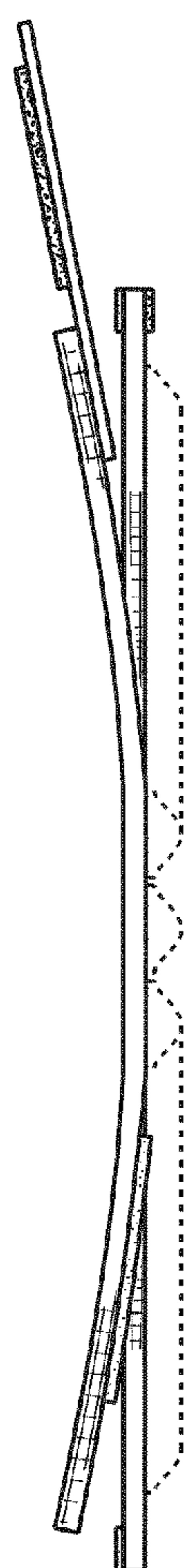


FIG. 7

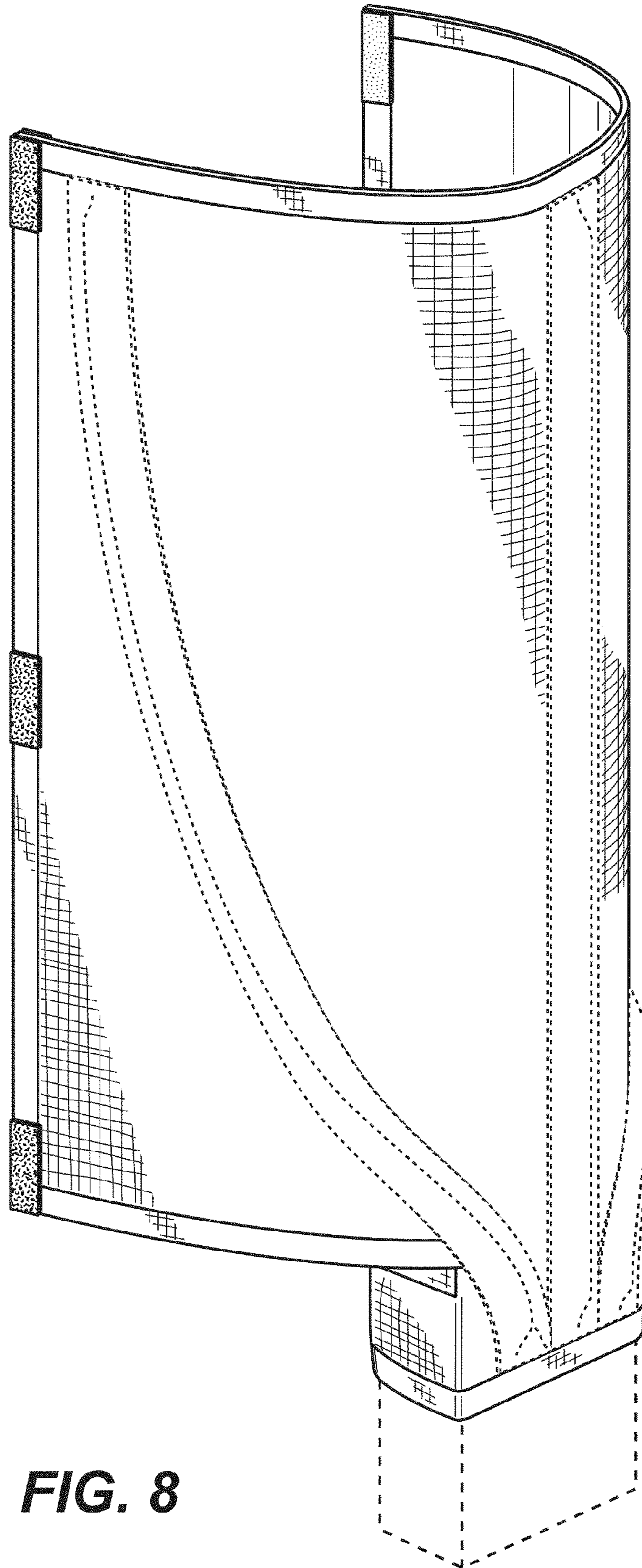


FIG. 8

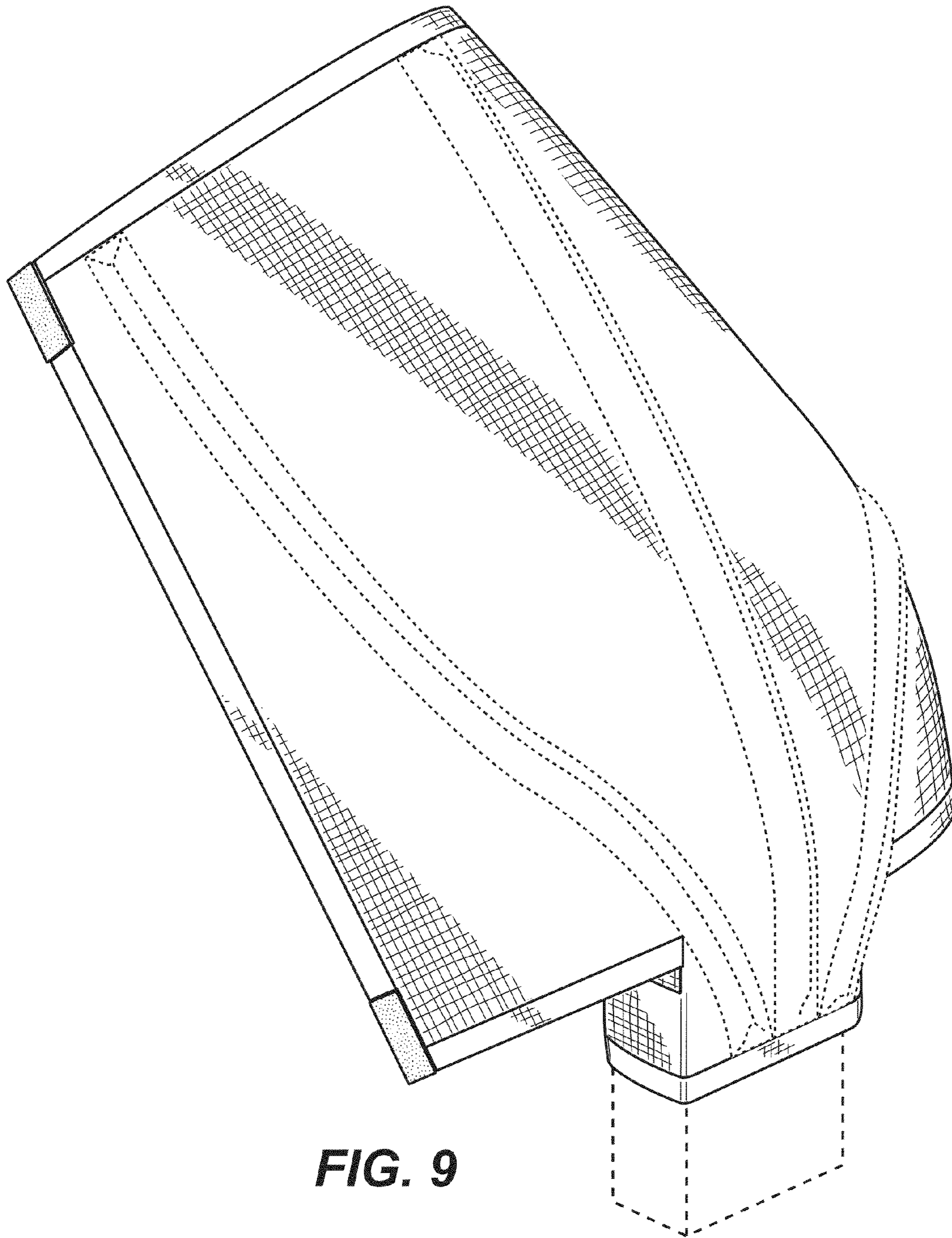


FIG. 9