



US00D637753S

(12) **United States Design Patent**
Ng et al.

(10) **Patent No.:** **US D637,753 S**
(45) **Date of Patent:** **** May 10, 2011**

(54) **LIGHT**

(75) Inventors: **Kenneth Ng**, Arcadia, CA (US);
Edmund Ng, Temple City, CA (US);
Peter Ng, Hong Kong (CN)

(73) Assignee: **Koncept Technologies Inc.**, Monterey
Park, CA (US)

(**) Term: **14 Years**

(21) Appl. No.: **29/359,844**

(22) Filed: **Apr. 15, 2010**

(51) **LOC (9) Cl.** **26-03**

(52) **U.S. Cl.** **D26/78**

(58) **Field of Classification Search** D26/72,
D26/74, 75, 76, 77, 78, 79, 80, 81, 82, 83,
D26/84, 85, 86, 88, 89, 90, 91, 1, 2, 3, 24,
D26/56; D13/180, 182; 362/555, 576, 147,
362/150, 217.01, 219, 217.02, 217.03, 217.04,
362/217.05, 217.08, 217.09, 260, 364, 365,
362/366, 404, 800

See application file for complete search history.

(56) **References Cited**

U.S. PATENT DOCUMENTS

D150,830 S * 9/1948 Duepner D26/77
D232,257 S * 7/1974 Paulson D26/80
D476,753 S * 7/2003 Chelf et al. D26/3

6,793,368 B2 * 9/2004 Ladstatter 362/221
D532,143 S * 11/2006 Woertler D26/80
D532,544 S * 11/2006 Woertler D26/80
D536,819 S * 2/2007 Krahe, II D26/75
D602,627 S * 10/2009 Lasthein et al. D26/77
D604,447 S * 11/2009 Klaus D26/76
D610,293 S * 2/2010 Klaus D26/76
D615,236 S * 5/2010 Beghelli D26/74
D617,935 S * 6/2010 Miletich et al. D26/76
D619,292 S * 7/2010 Pei et al. D26/76

* cited by examiner

Primary Examiner — Angela J Lee

(74) *Attorney, Agent, or Firm* — Foley & Lardner LLP

(57) **CLAIM**

The ornamental design for a light, as shown and described.

DESCRIPTION

FIG. 1 is a perspective view of a light showing our new design;

FIG. 2 is a bottom view thereof;

FIG. 3 is a top view thereof;

FIG. 4 is a front view thereof; and

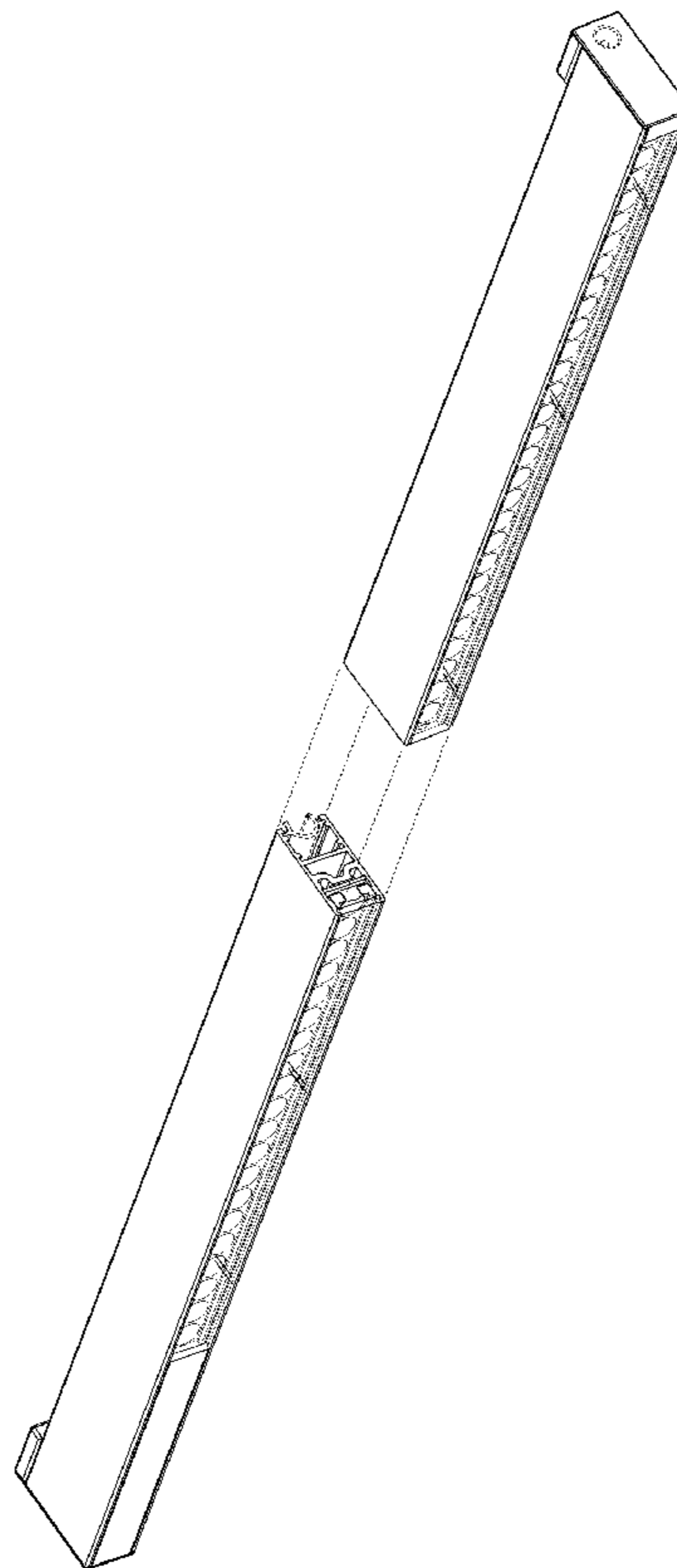
FIG. 5 is a rear view thereof;

FIG. 6 is a left side view thereof; and,

FIG. 7 is a right side view thereof.

The light has been shown broken away to indicate that no particular length is claimed. Elements drawn in broken lines are understood to be for illustrative purposes only and form no part of the claimed design.

1 Claim, 4 Drawing Sheets



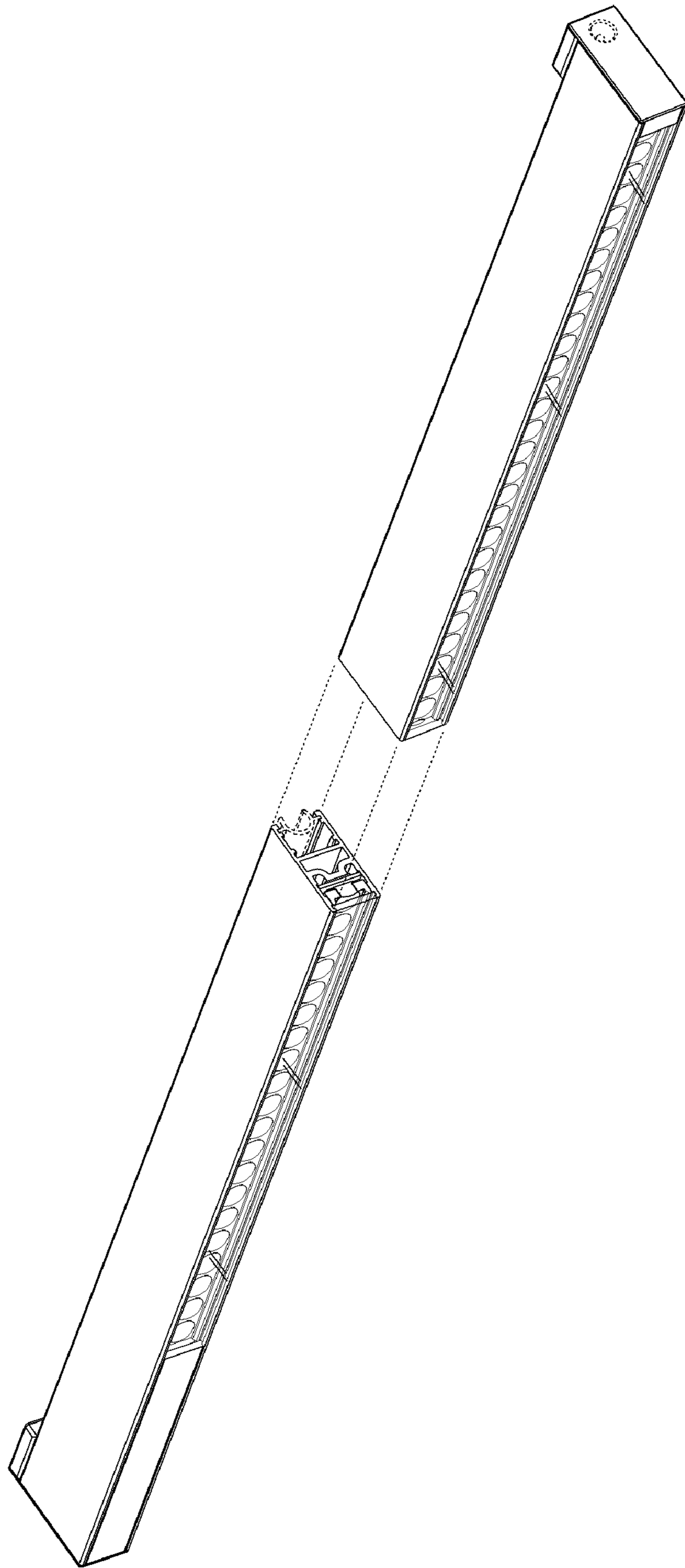


FIG. 1



FIG. 2



FIG. 3

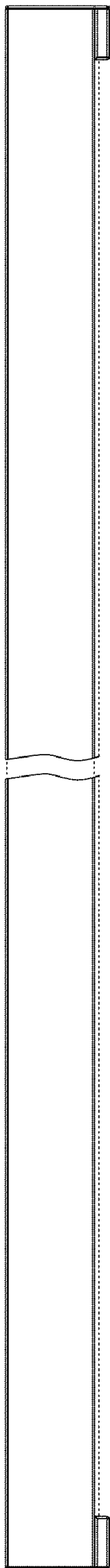


FIG. 4

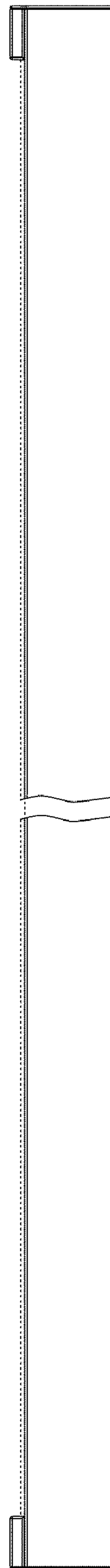


FIG. 5

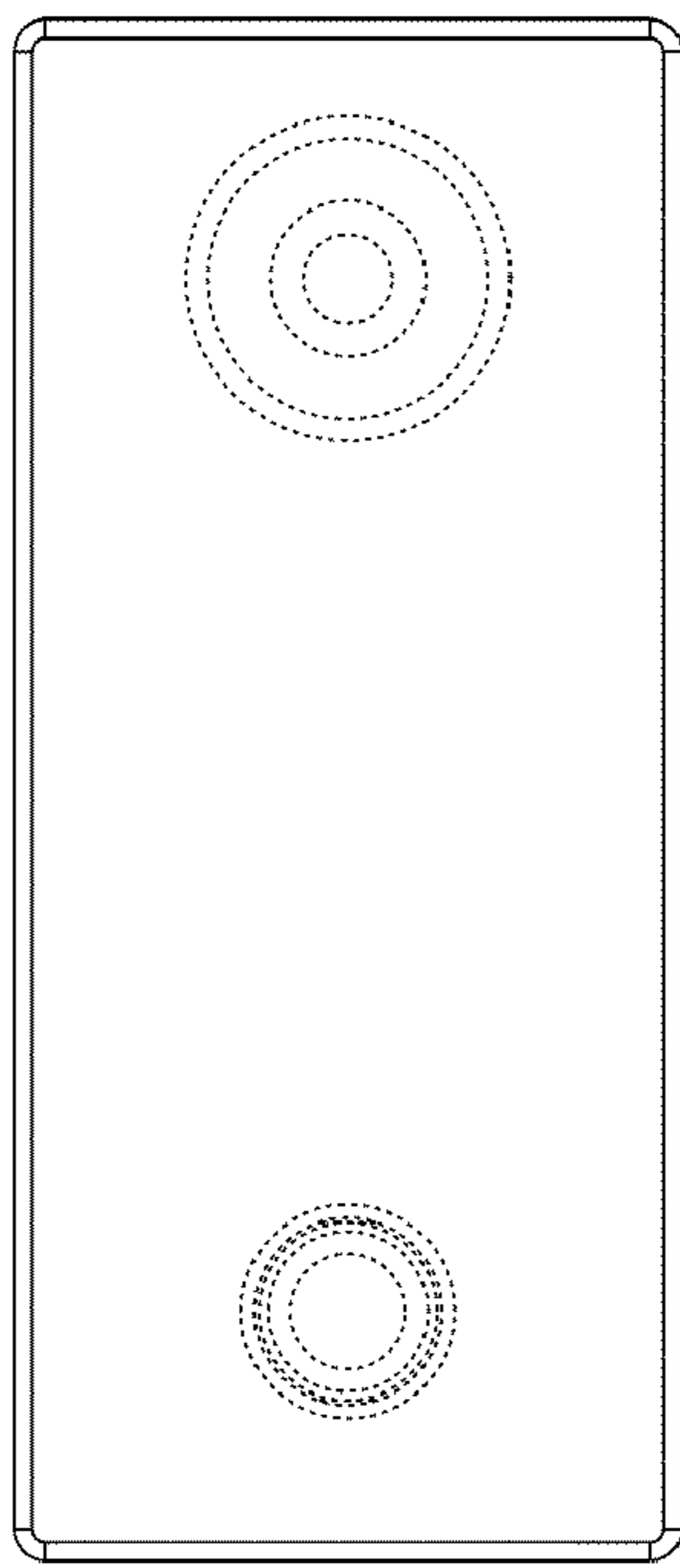


FIG. 6

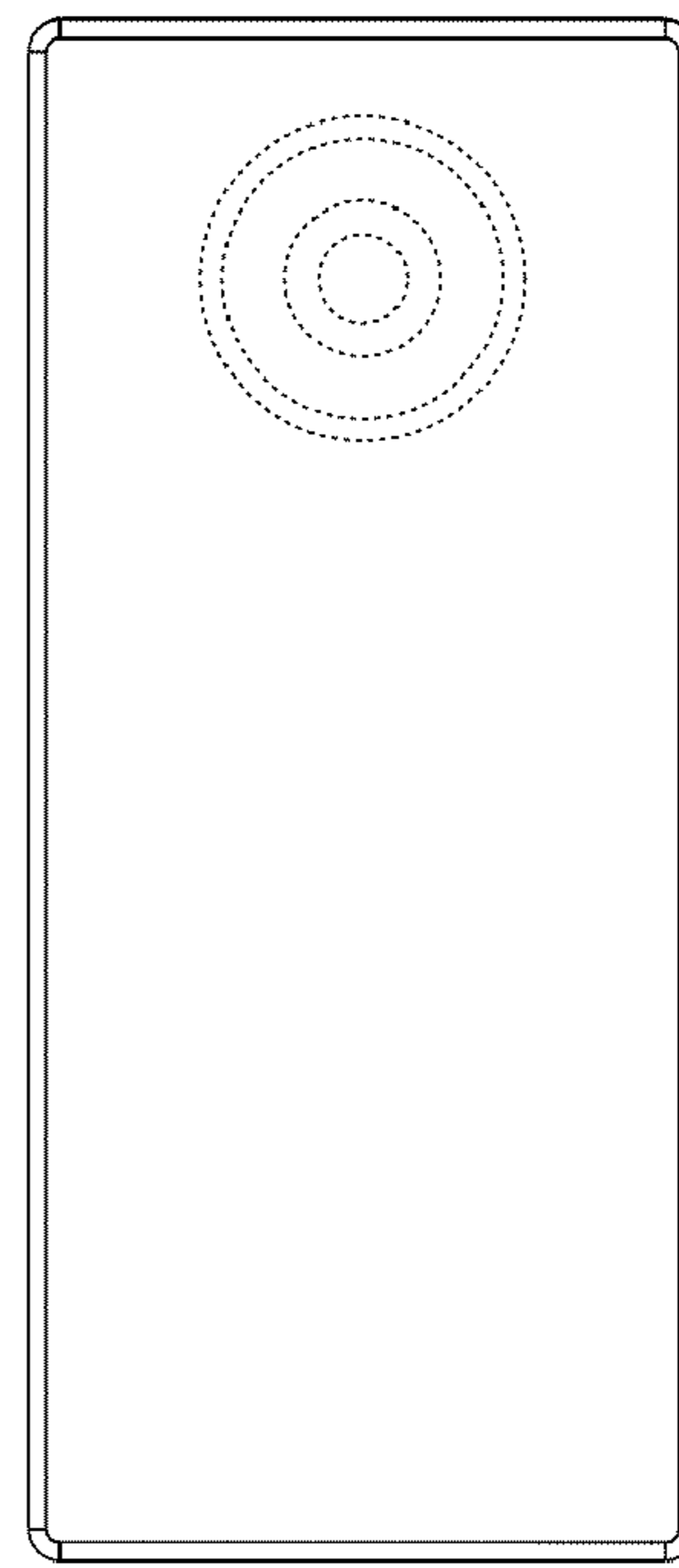


FIG. 7