

US00D637751S

(12) **United States Design Patent**
Chiu

(10) **Patent No.:** **US D637,751 S**

(45) **Date of Patent:** **** May 10, 2011**

(54) **LED SPOT LIGHT**

(75) Inventor: **Hua-Jung Chiu**, Taoyuan County (TW)

(73) Assignee: **Davinci Industrial Inc.**, Taipei Hsien (TW)

(**) Term: **14 Years**

(21) Appl. No.: **29/375,508**

(22) Filed: **Sep. 23, 2010**

(51) **LOC (9) Cl.** **26-05**

(52) **U.S. Cl.** **D26/63**

(58) **Field of Classification Search** D26/61-66;
362/145, 147, 153, 153.1, 217.02, 187, 188,
362/190, 191, 269, 270, 277, 280-285, 287-289,
362/311.02, 311.13, 413, 414, 427, 648,
362/240, 247, 249.01-249.03, 249.07, 249.1,
362/249.11, 249.16, 800

See application file for complete search history.

(56) **References Cited**

U.S. PATENT DOCUMENTS

D548,868 S * 8/2007 Roberge et al. D26/63
D562,486 S * 2/2008 Luke D26/61

D573,286 S * 7/2008 Zettl D26/63
D587,833 S * 3/2009 Bina et al. D26/63
D589,636 S * 3/2009 Pinette D26/63
D629,547 S * 12/2010 Salm D26/63
D629,549 S * 12/2010 Feigenbaum D26/63
7,845,827 B2 * 12/2010 Tarter et al. 362/247

* cited by examiner

Primary Examiner — Susan M Lee

Assistant Examiner — Linda G. Brooks

(74) *Attorney, Agent, or Firm* — Rosenberg, Klein & Lee

(57) **CLAIM**

The ornamental design for a LED spot light, as shown and described.

DESCRIPTION

FIG. 1 is a perspective view of a LED spot light showing my new design;

FIG. 2 is a front view thereof;

FIG. 3 is a rear view thereof;

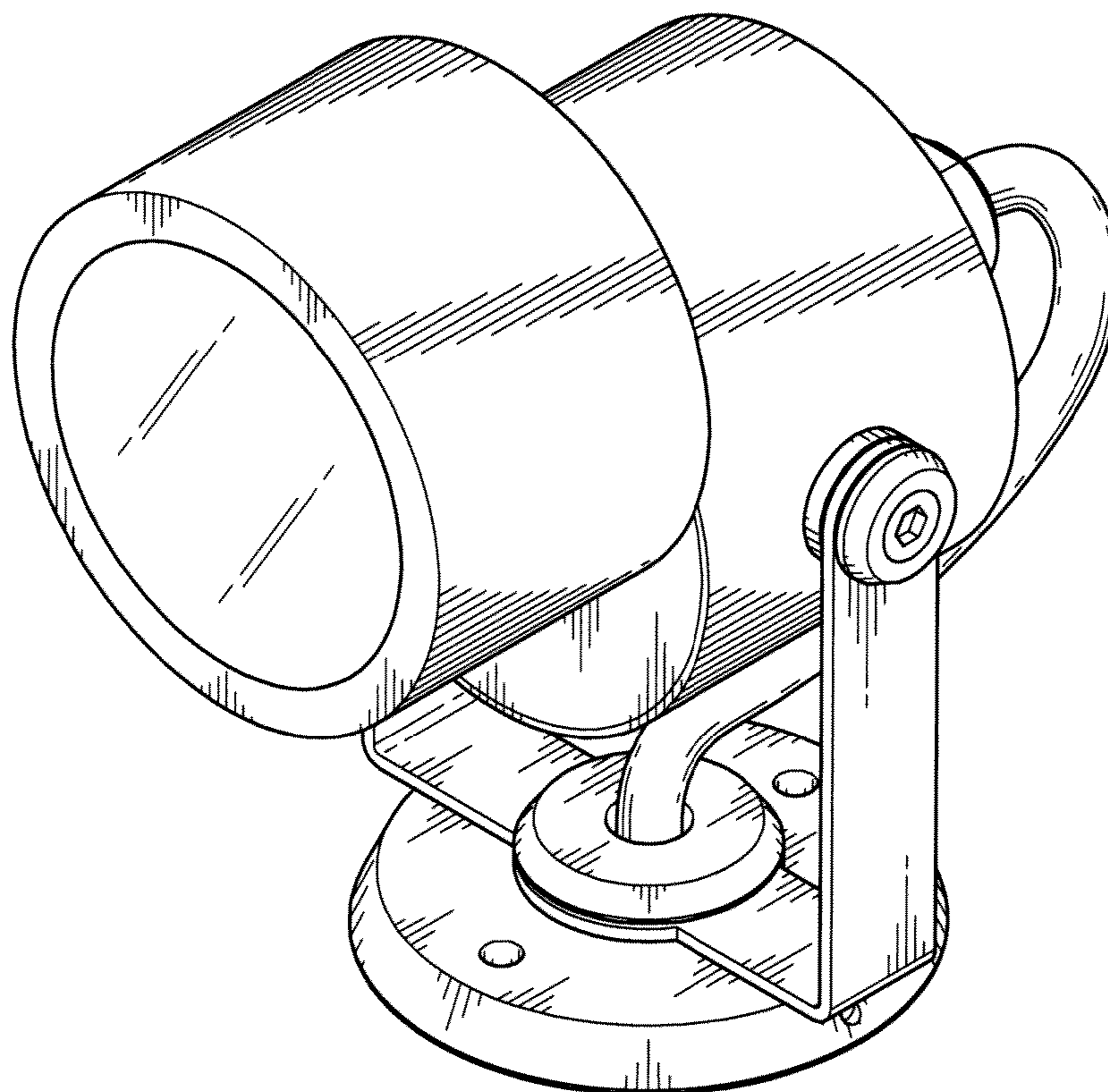
FIG. 4 is a left side view thereof;

FIG. 5 is a right side view thereof;

FIG. 6 is a top view thereof; and,

FIG. 7 is a bottom view thereof.

1 Claim, 4 Drawing Sheets



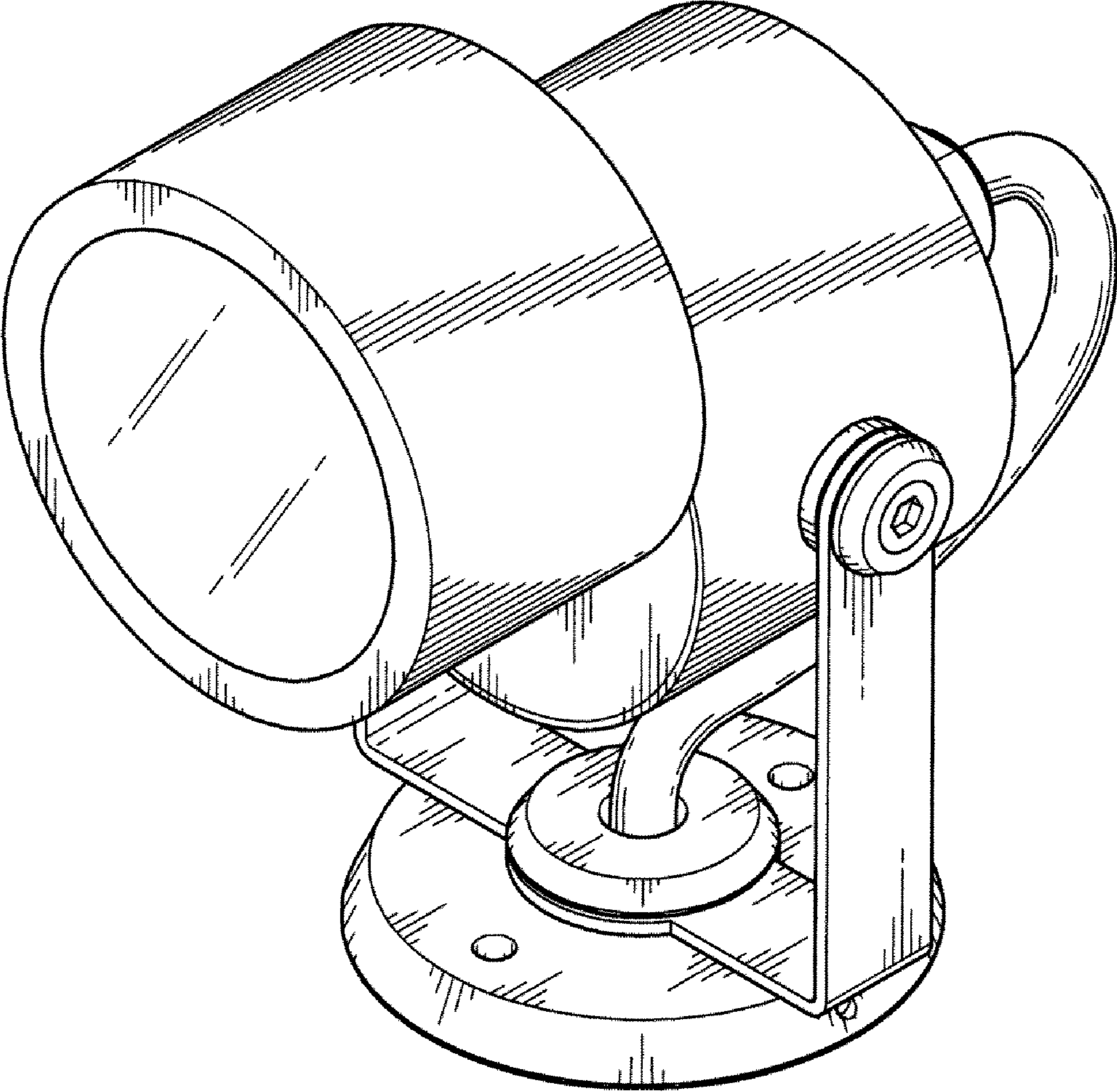


FIG. 1

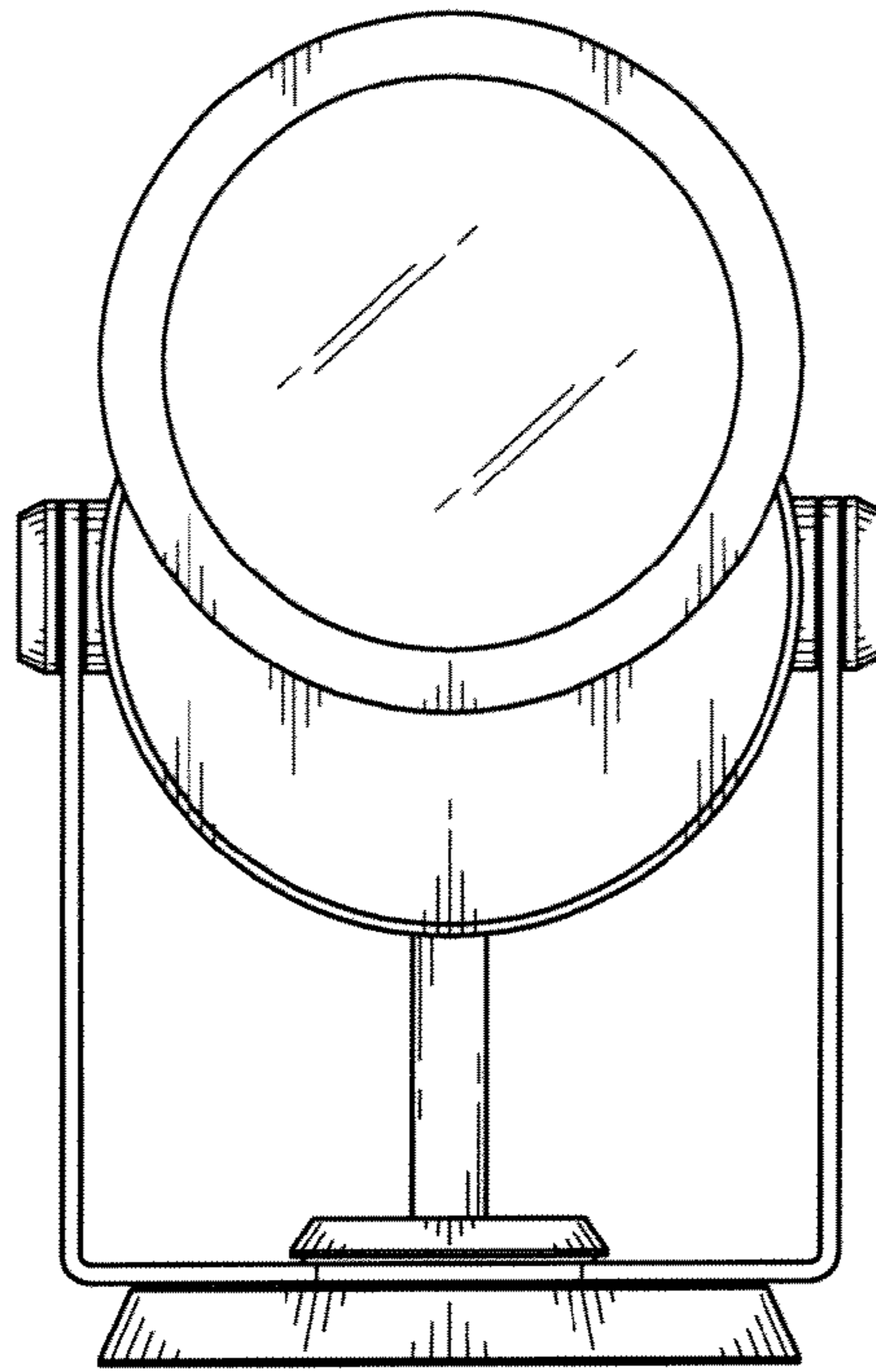


FIG. 2

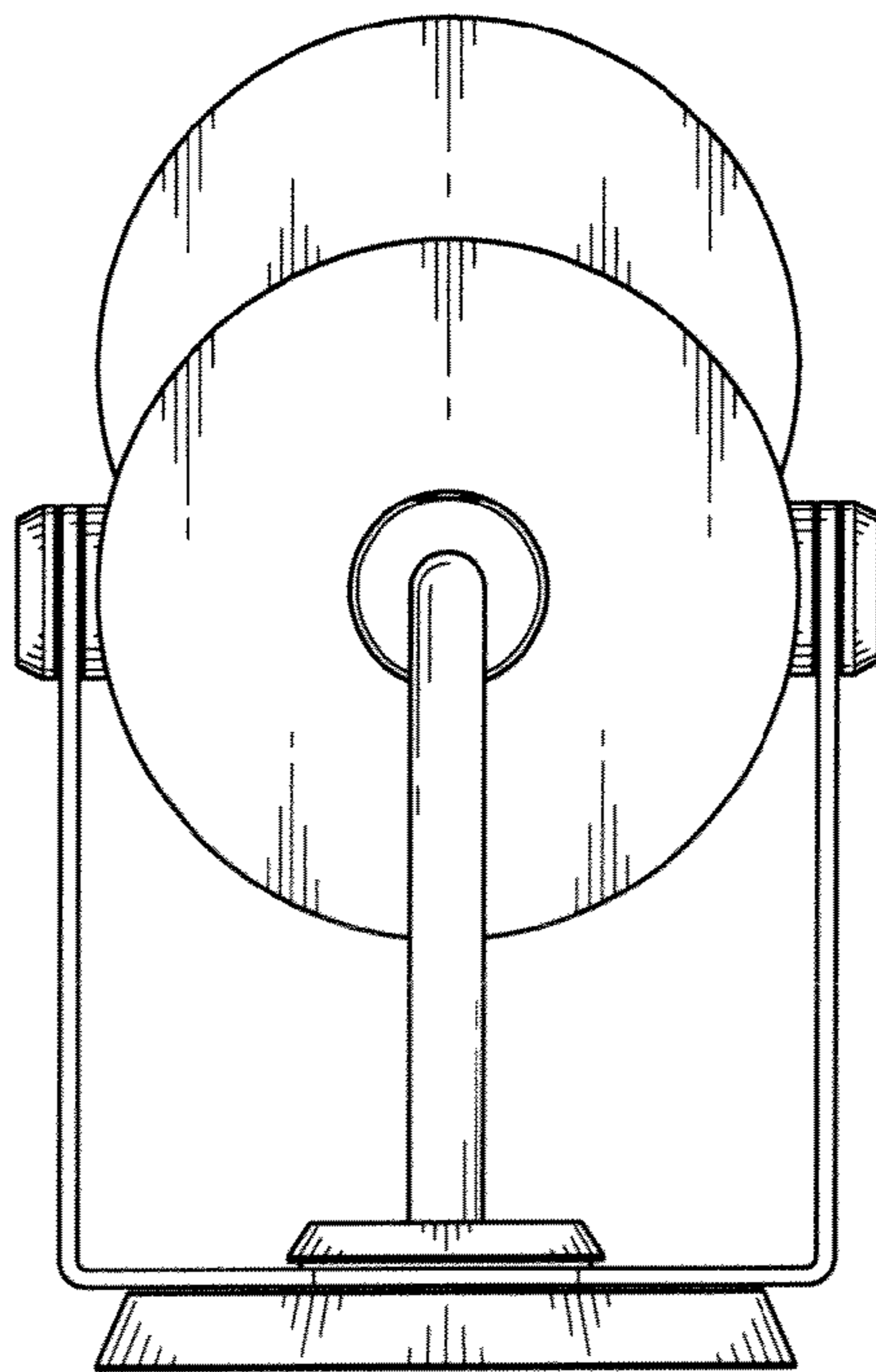


FIG. 3

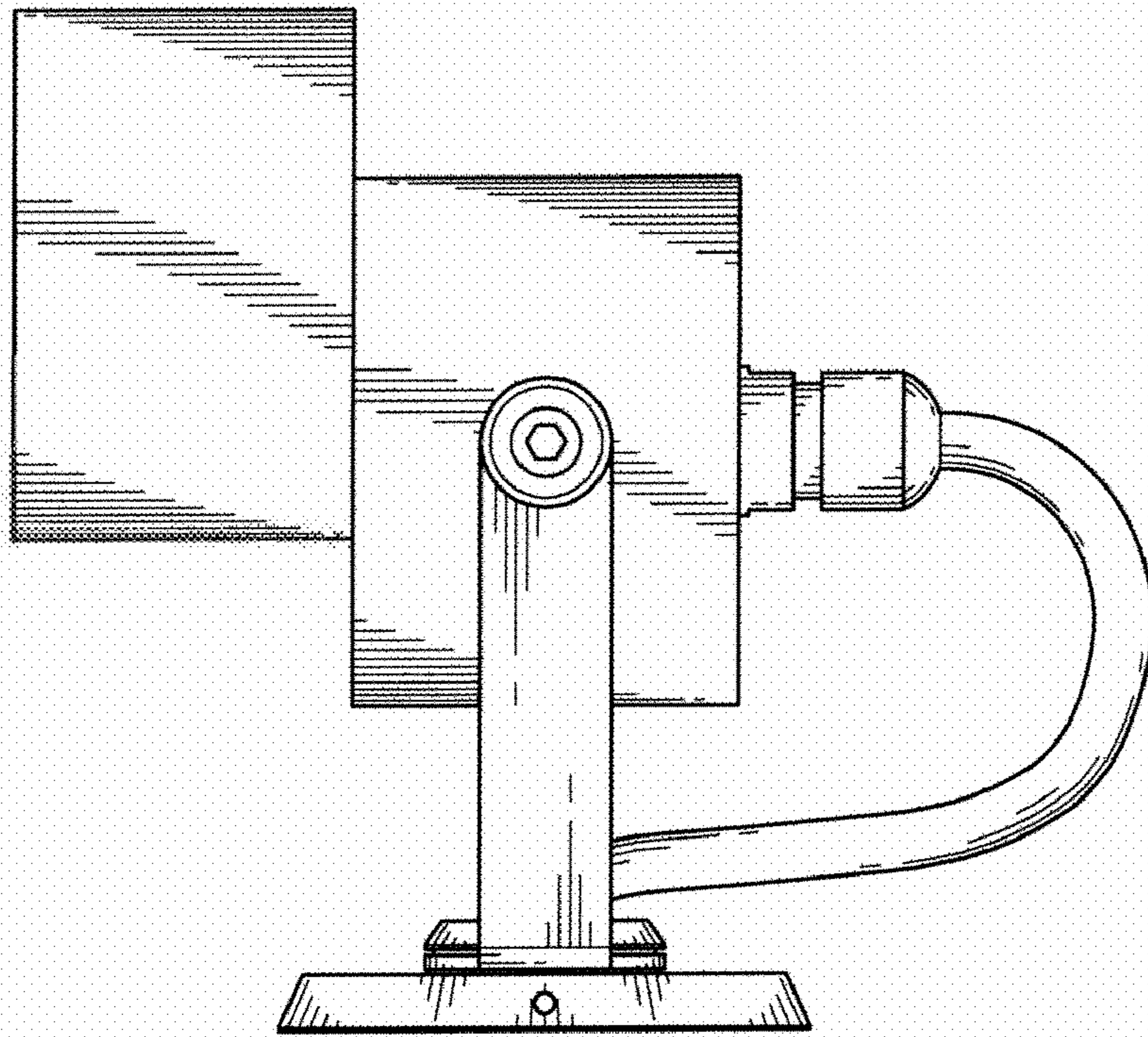


FIG. 4

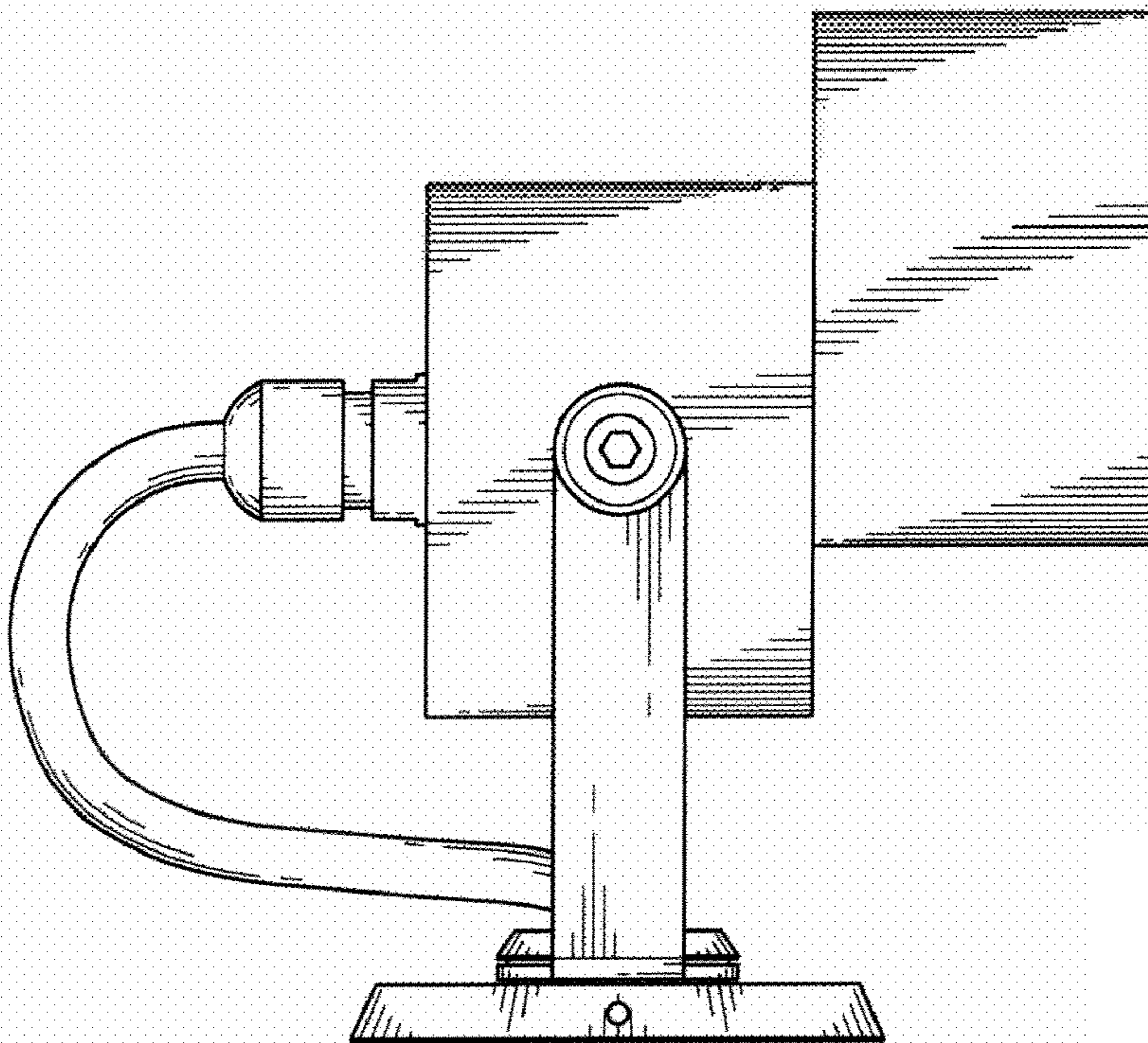


FIG. 5

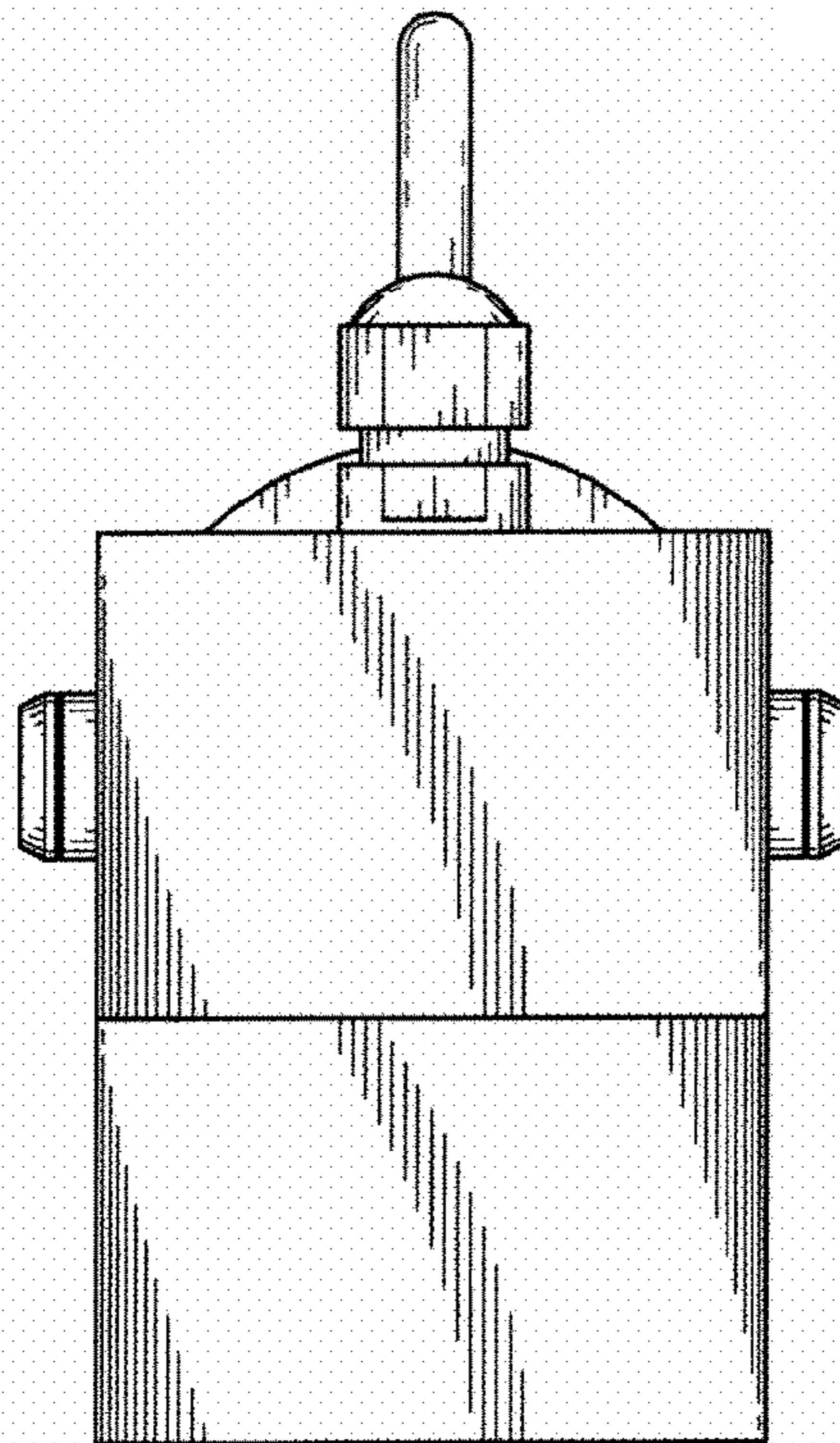


FIG. 6

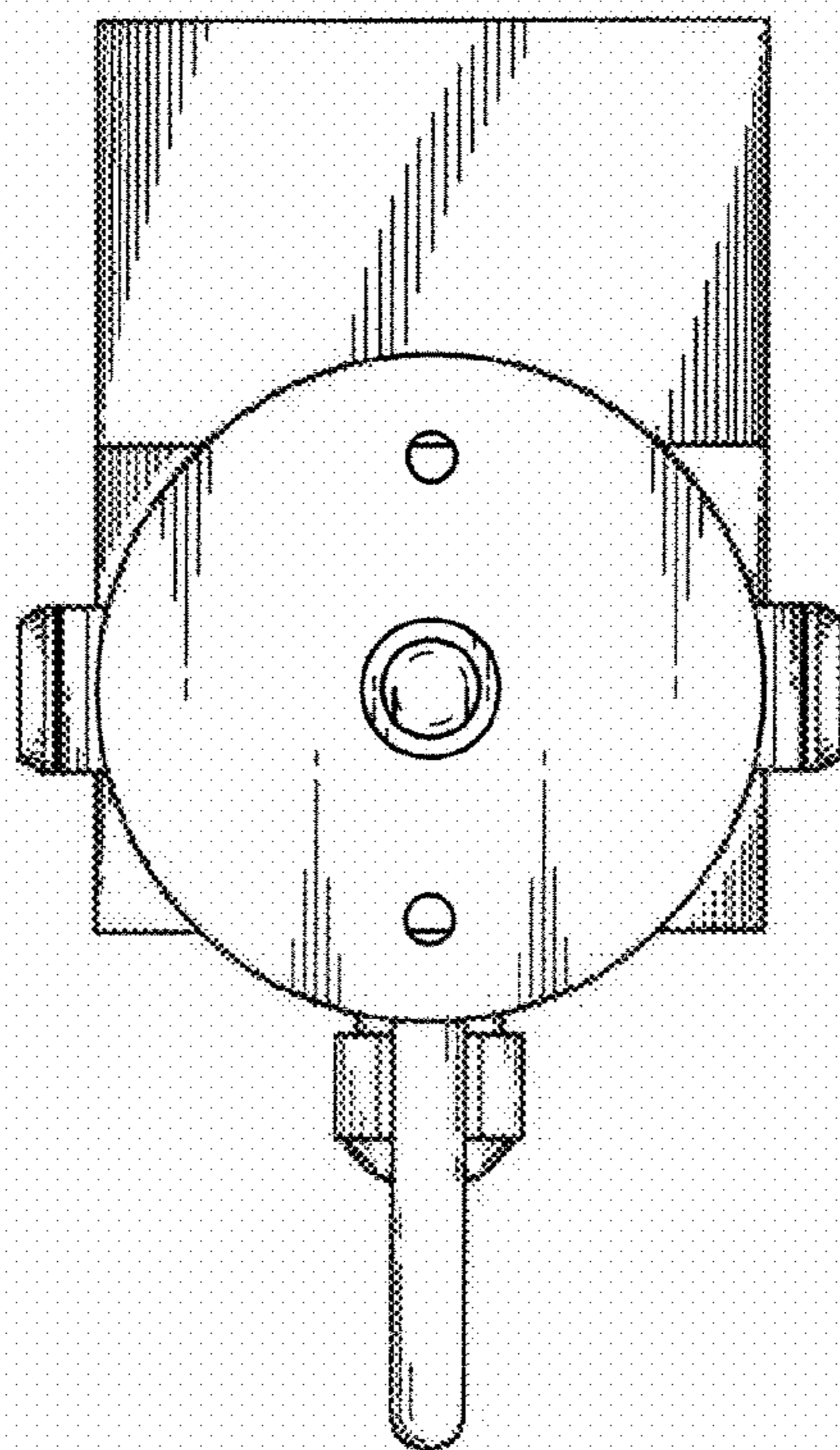


FIG. 7