



US00D637750S

(12) **United States Design Patent**
Griffiths et al.

(10) **Patent No.:** **US D637,750 S**

(45) **Date of Patent:** **** May 10, 2011**

(54) **LIGHT-EMITTING UNIT FOR BOTTLES AND OTHER CONTAINERS**

(75) Inventors: **Bryn Griffiths**, Richmond (GB); **Jon Duncan**, Whitton (GB)

(73) Assignee: **Benmore Ventures Ltd** (GB)

(**) Term: **14 Years**

(21) Appl. No.: **29/327,032**

(22) Filed: **Oct. 29, 2008**

(30) **Foreign Application Priority Data**

Sep. 8, 2008 (EM) 001000087

(51) **LOC (9) Cl.** **26-01**

(52) **U.S. Cl.** **D26/51**

(58) **Field of Classification Search** D26/2,
D26/51, 56, 58, 34, 37, 113, 24; 362/103,
362/190, 253, 800, 812, 394, 34

See application file for complete search history.

(56) **References Cited**

U.S. PATENT DOCUMENTS

D279,910	S *	7/1985	Detro	D20/28
5,307,250	A *	4/1994	Pearson	362/101
5,339,548	A	8/1994	Russell		
5,464,092	A	11/1995	Seeley		
5,784,265	A	7/1998	Chen		
5,785,407	A	7/1998	Ratcliffe et al.		
D400,406	S *	11/1998	House	D7/624.1
6,005,204	A	12/1999	Choi et al.		
6,010,742	A	1/2000	Tanabe et al.		
6,065,848	A *	5/2000	Tucker et al.	362/101
6,163,248	A	12/2000	Paek et al.		
6,254,247	B1	7/2001	Carson		
6,271,753	B1	8/2001	Shukla		
6,419,384	B1	7/2002	Lewis et al.		
6,420,008	B1	7/2002	Lewis et al.		
6,746,132	B2 *	6/2004	Liu	362/101

6,793,362	B2 *	9/2004	Tai	362/101
6,831,552	B2	12/2004	Lin		
7,018,062	B2 *	3/2006	Taylor	362/101
D528,996	S *	9/2006	Egawa	D13/180
D580,567	S *	11/2008	Mukai	D26/24
7,462,035	B2 *	12/2008	Lee et al.	439/37
D609,564	S *	2/2010	Paine	D9/434
2002/0183883	A1	12/2002	Carr et al.		
2003/0081408	A1	5/2003	Tai		
2003/0095253	A1	5/2003	Chow		
2004/0004829	A1	1/2004	Policappelli		
2004/0017678	A1	1/2004	Liu		

(Continued)

FOREIGN PATENT DOCUMENTS

DE 296 13 520 U1 10/1996

(Continued)

Primary Examiner — Ian Simmons

Assistant Examiner — Carissa C Fitts

(74) *Attorney, Agent, or Firm* — Craig A. Fieschko, Esq.;
DeWitt Ross & Stevens S.C.

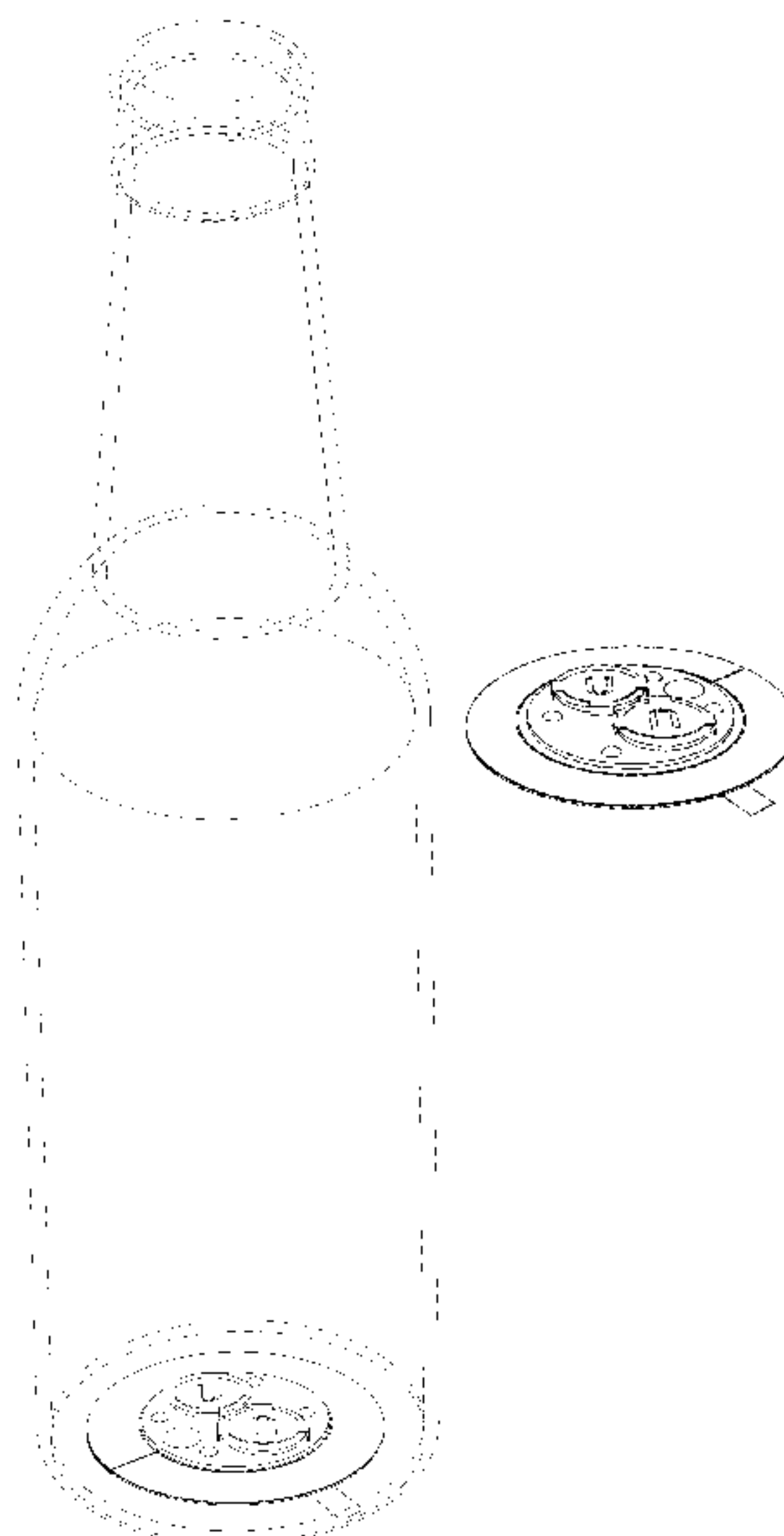
(57) **CLAIM**

I claim the ornamental design for a light-emitting unit for bottles and other containers, as shown and described.

DESCRIPTION

FIG. 1 is a perspective view of the light emitting unit for bottles and other containers showing our new design; FIG. 2 is a top perspective view thereof; FIG. 3 is a top plan view thereof; FIG. 4 is a front elevation view thereof; FIG. 5 is a left side elevation view thereof; FIG. 6 is a bottom perspective view thereof; and, FIG. 7 is a bottom perspective view thereof. The broken line drawing of the bottle in FIGS. 1 and 7, and of the text in FIGS. 6 and 7, is for illustrative purposes only and forms no part of the claimed design.

1 Claim, 3 Drawing Sheets



US D637,750 S

Page 2

U.S. PATENT DOCUMENTS

2004/0042201 A1 3/2004 Lee
2004/0136177 A1 7/2004 Lewis et al.
2004/0212987 A1 10/2004 Lu
2005/0024858 A1 2/2005 Johnson
2006/0139928 A1 6/2006 Griffiths et al.

FOREIGN PATENT DOCUMENTS

DE 198 52 527 A 5/2000
DE 102 04 153 A 8/2003
EP 0 757 012 A 2/1997
EP 1 155 972 A 11/2001

ES 2 147 473 A1 9/2000
FR 2 769 596 A 4/1999
FR 2 827 839 A3 1/2003
GB 2 282 366 A 4/1995
GB 2 393 954 A 4/2004
RU 2 164 888 C1 4/2001
RU 2 186 013 C2 7/2002
WO WO 2000/055743 A1 9/2000
WO WO 01/89950 A 11/2001
WO WO 02/099783 A 12/2002
WO WO 03/013959 A2 2/2003

* cited by examiner

FIG. 1

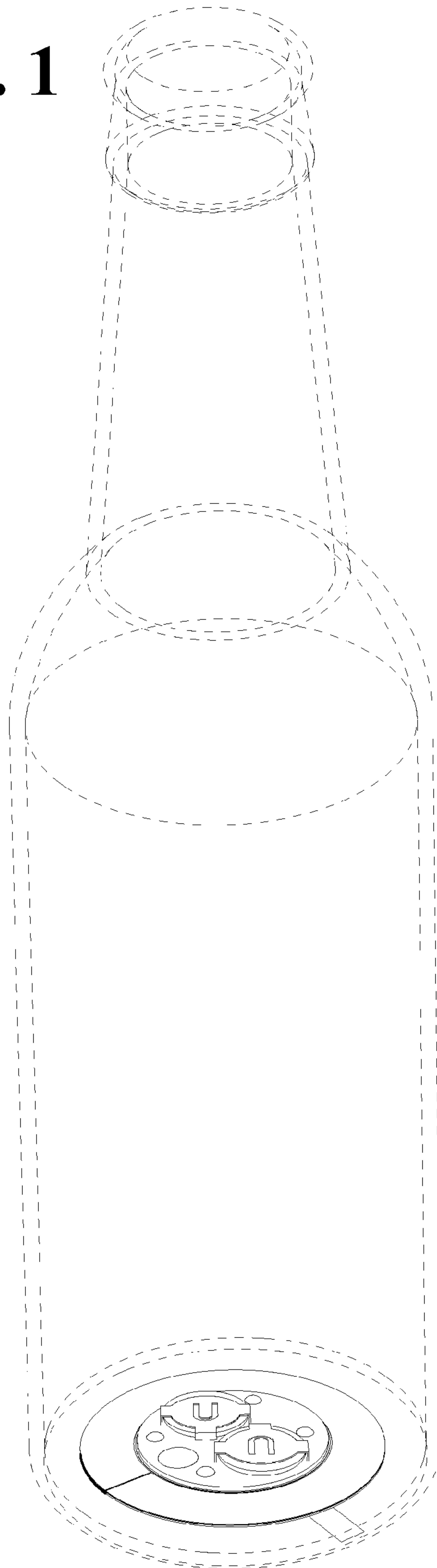


FIG. 2

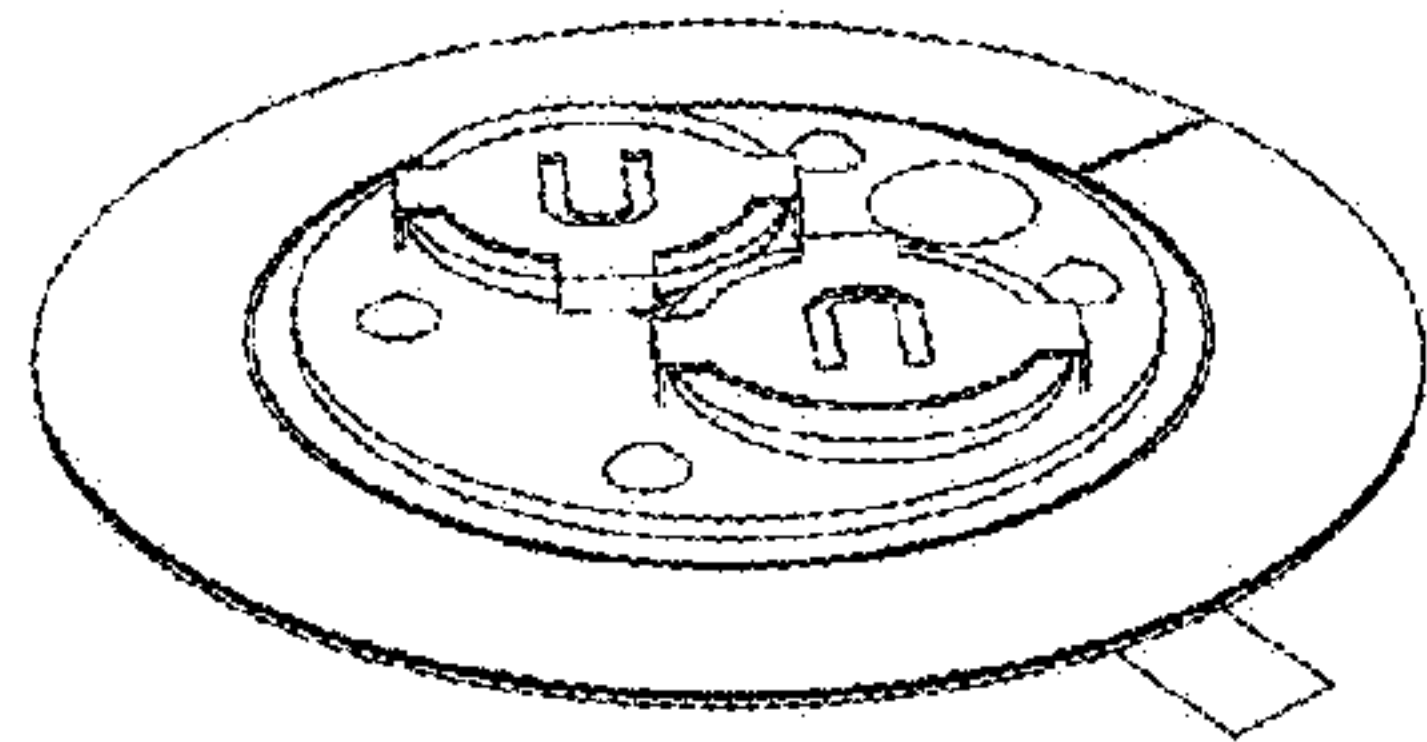


FIG. 3

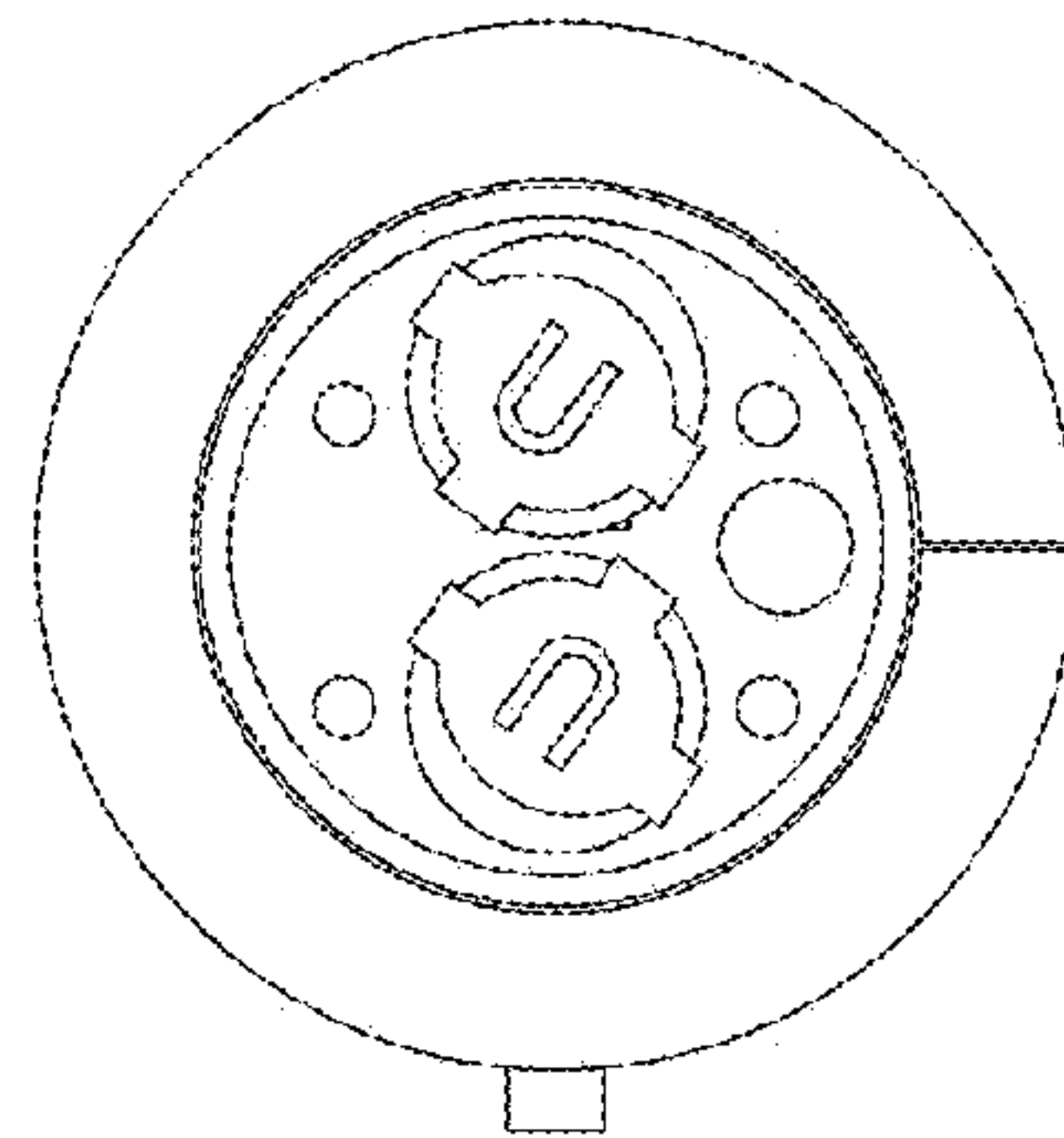


FIG. 4

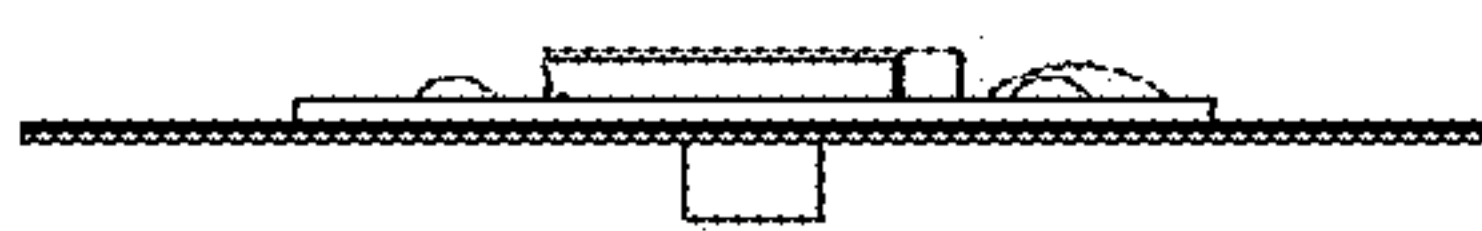


FIG. 5

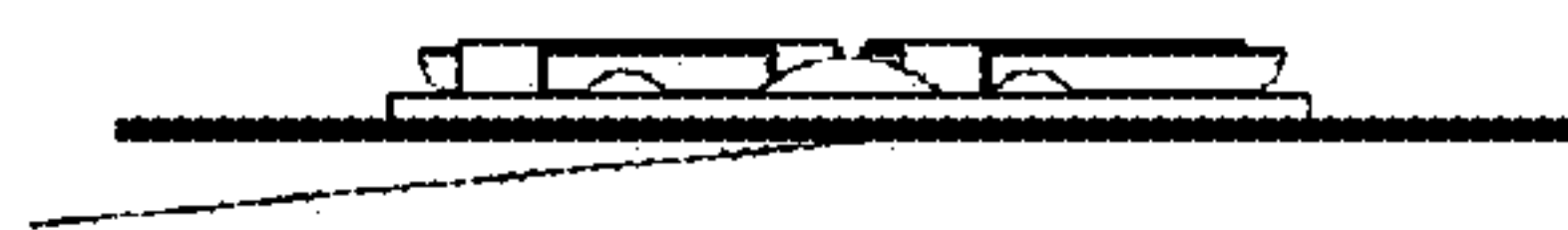


FIG. 6

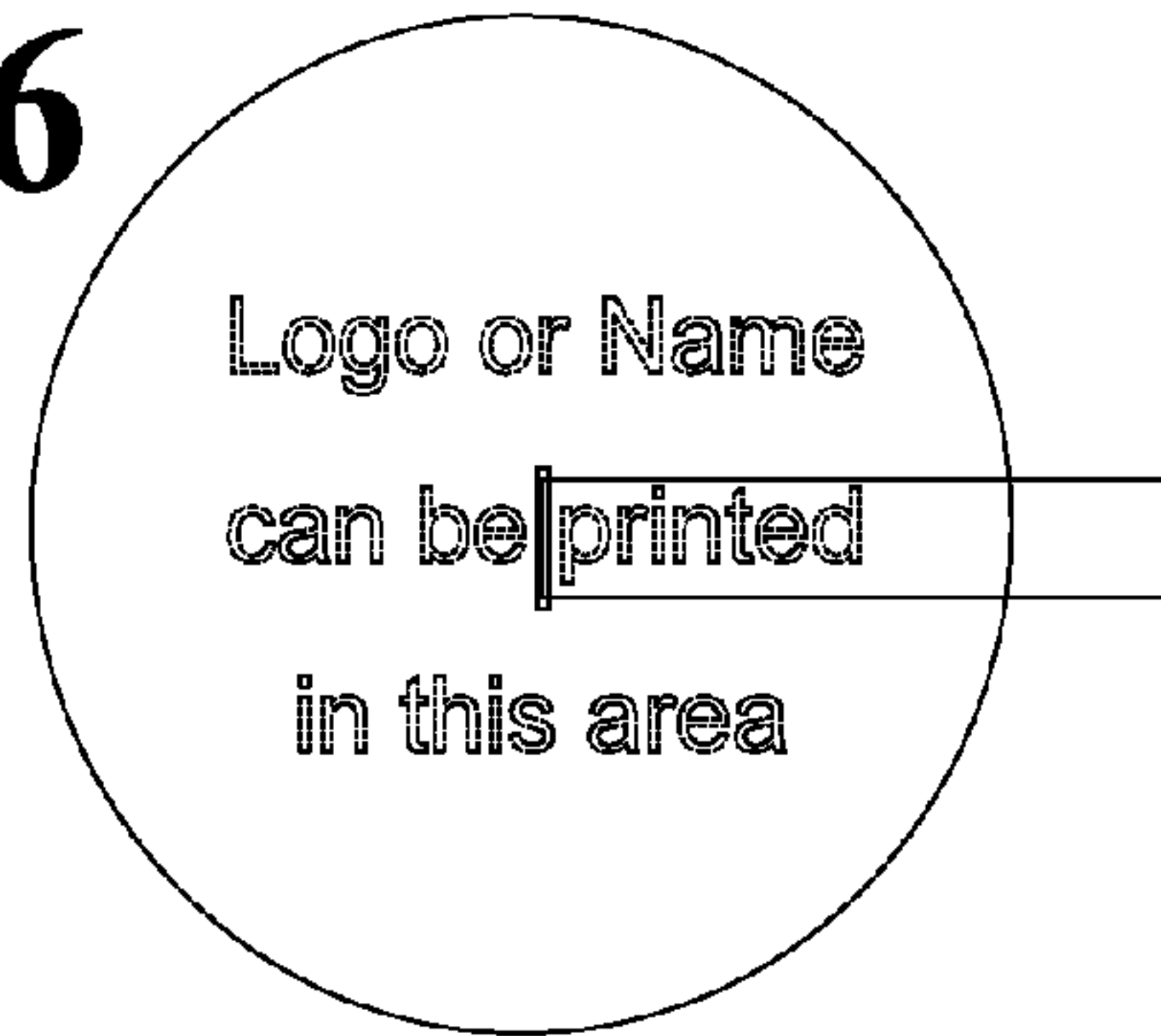


FIG. 7

