



US00D637749S

(12) **United States Design Patent**
Bayat et al.

(10) **Patent No.:** **US D637,749 S**

(45) **Date of Patent:** **** May 10, 2011**

(54) **COMPACT OVAL BODY WORK LIGHT**

(75) Inventors: **Bijan Bayat**, Plano, TX (US); **Gordon L. Treichler**, Wylie, TX (US)

(73) Assignee: **Bayco Products, Ltd.**, Wylie, TX (US)

(**) Term: **14 Years**

(21) Appl. No.: **29/378,025**

(22) Filed: **Oct. 28, 2010**

(51) **LOC (9) Cl.** **26-02**

(52) **U.S. Cl.** **D26/49**

(58) **Field of Classification Search** D26/37,
D26/40, 38, 41, 43, 44, 46, 48–50; 362/157,
362/158, 183, 184, 186, 194, 195–196, 200–208
See application file for complete search history.

(56) **References Cited**

U.S. PATENT DOCUMENTS

D502,276 S *	2/2005	Kovacik et al.	D26/44
D505,217 S *	5/2005	Bayat et al.	D26/42
D509,010 S *	8/2005	Kovacik et al.	D26/44
D527,479 S *	8/2006	Poucki	D26/42
D536,812 S *	2/2007	Bayat et al.	D26/37
D556,926 S *	12/2007	Thirouin	D26/37
D593,695 S *	6/2009	Levine	D26/42
2003/0189826 A1	10/2003	Yoon		

* cited by examiner

Primary Examiner — Ian Simmons

Assistant Examiner — Carissa C Fitts

(74) *Attorney, Agent, or Firm* — Whitake, Chalk, Swindle & Sawyer, LLP; Stephen S. Mosher

(57) **CLAIM**

The ornamental design for a compact oval body work light, as shown and described.

DESCRIPTION

FIG. 1 is a perspective view of a top side of the compact oval body work light;

FIG. 2 is a perspective view of a bottom side of the embodiment of FIG. 1;

FIG. 3 is a bottom side view of the compact oval body work light;

FIG. 4 is a first side view of the compact oval body work light;

FIG. 5 is a second side view of the compact oval body work light;

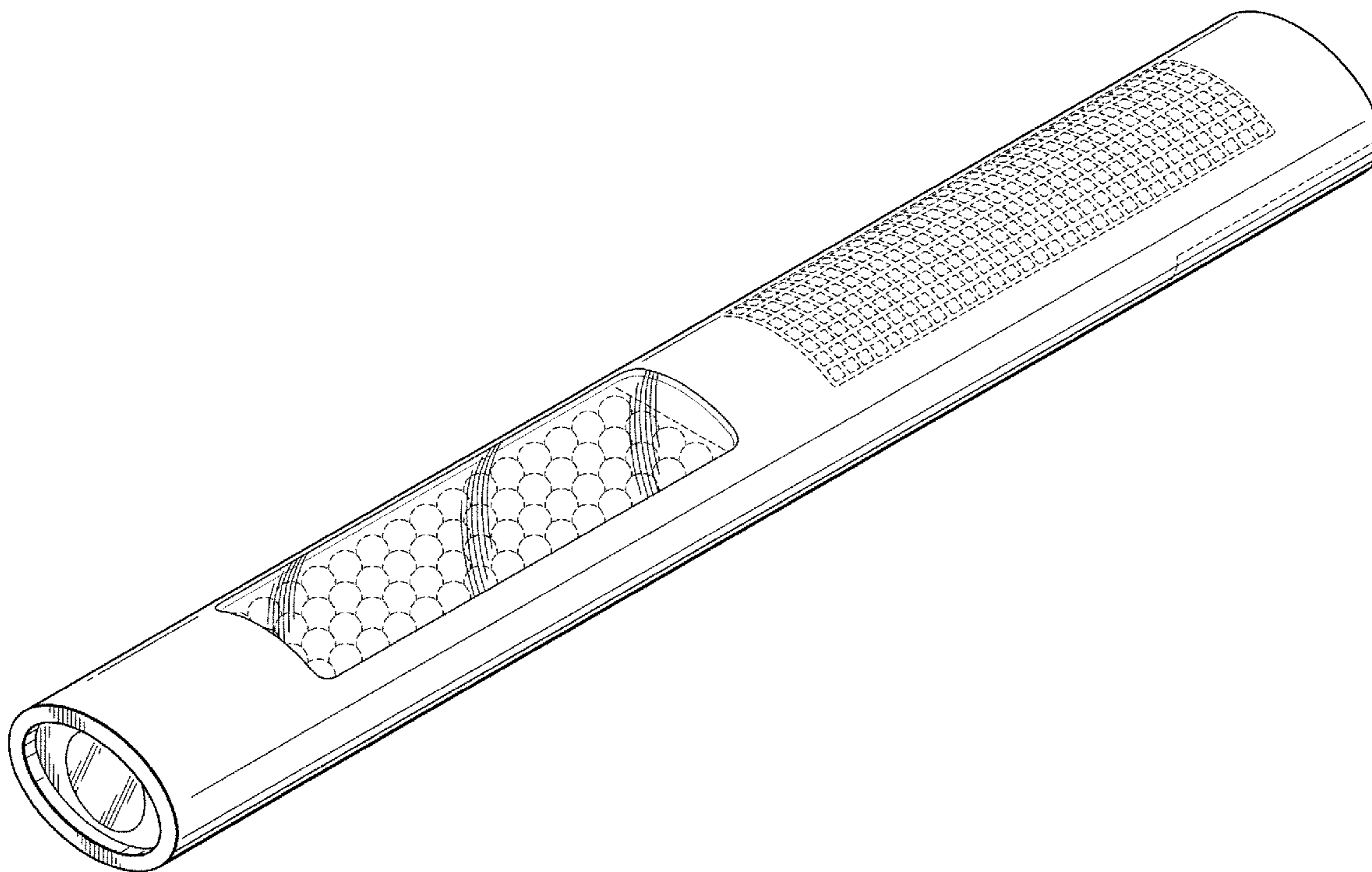
FIG. 6 is a top side view of the compact oval body work light;

FIG. 7 is a first end view of the compact oval body work light;

and, FIG. 8 is a second end view of the compact oval body work light.

The broken line showing is for environmental purposes only and forms no part of the claimed design.

1 Claim, 4 Drawing Sheets



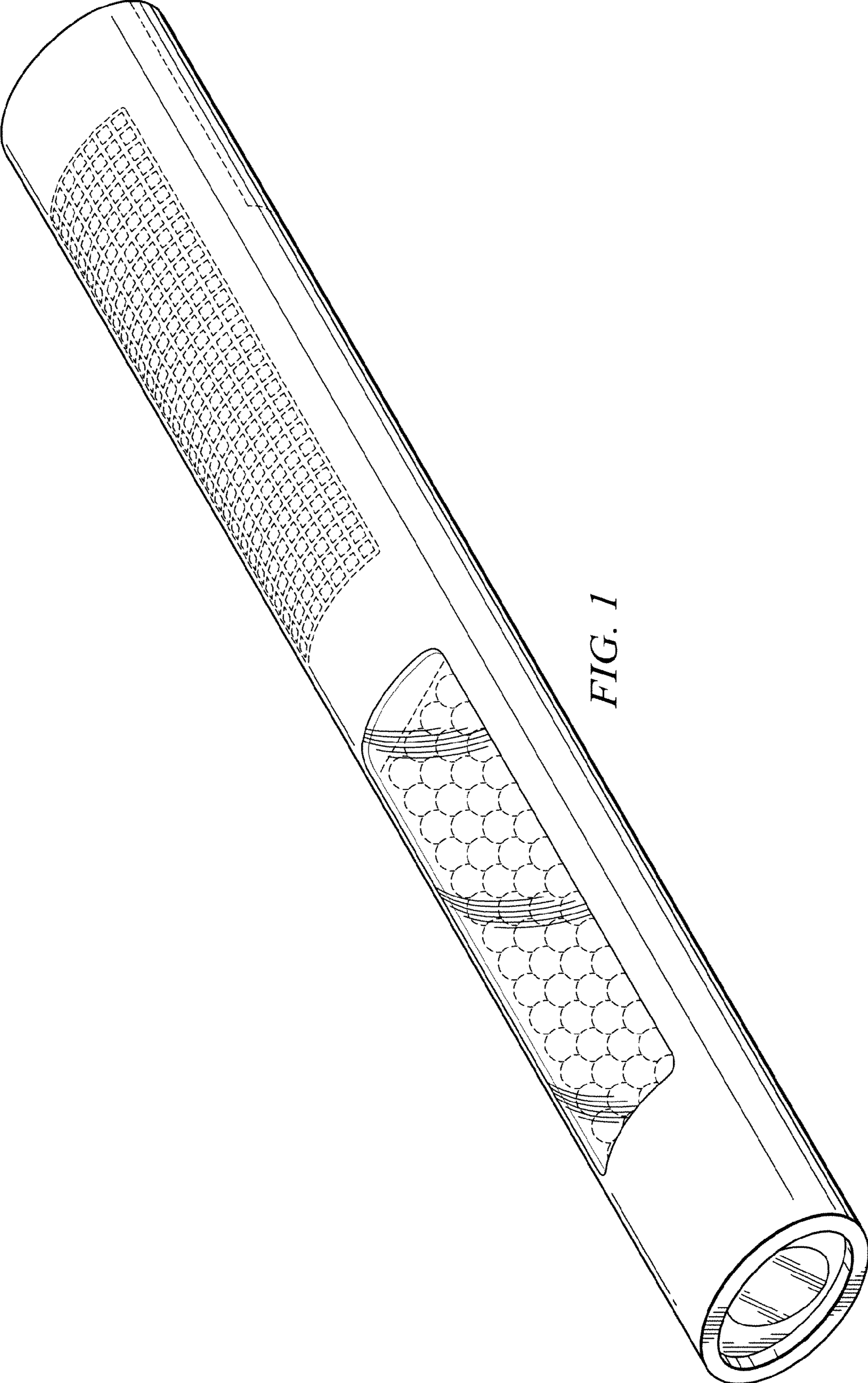


FIG. 1

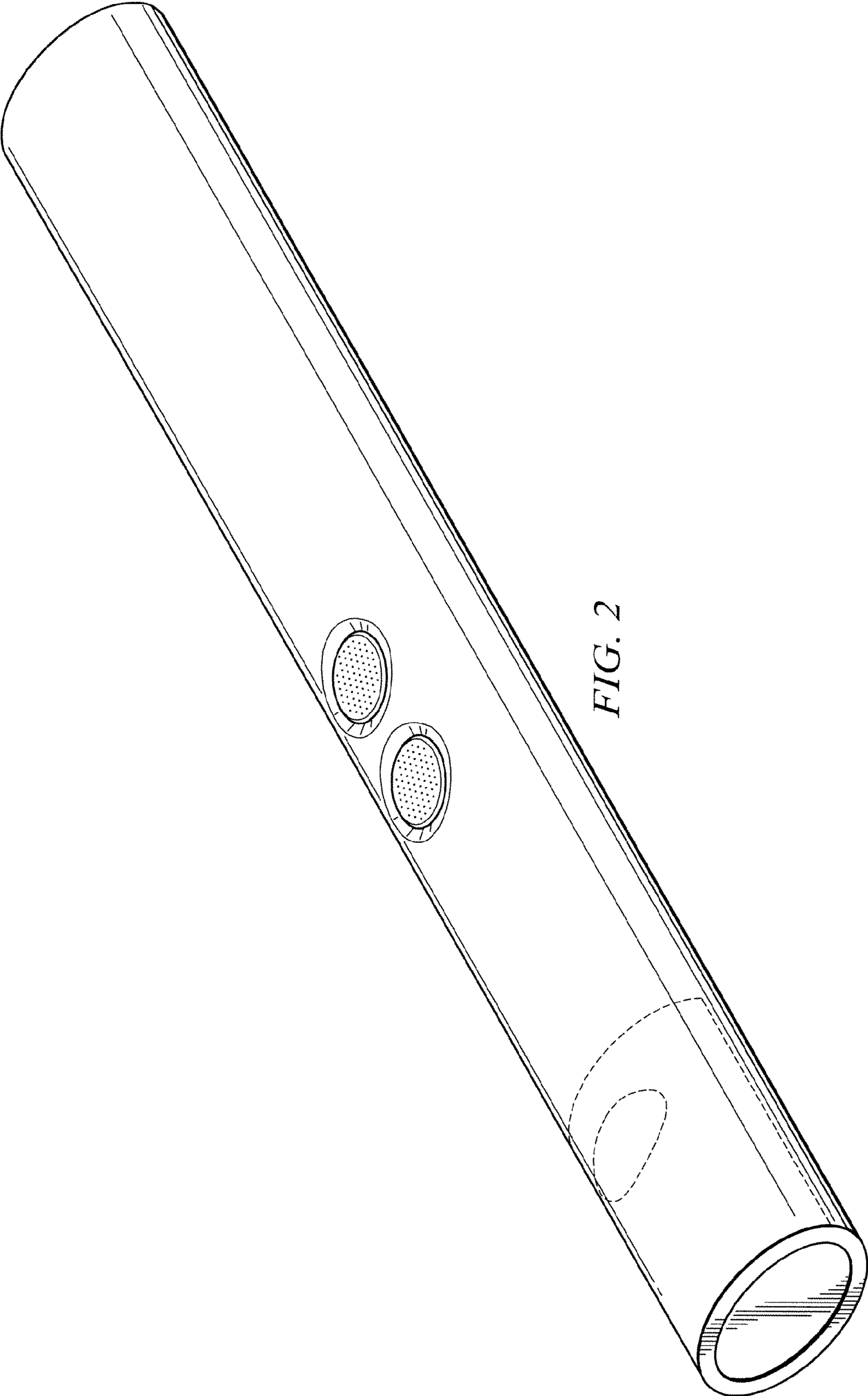


FIG. 2

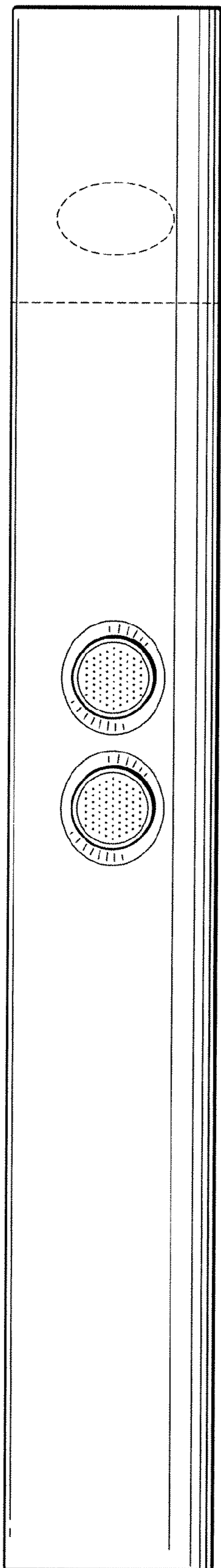


FIG. 3

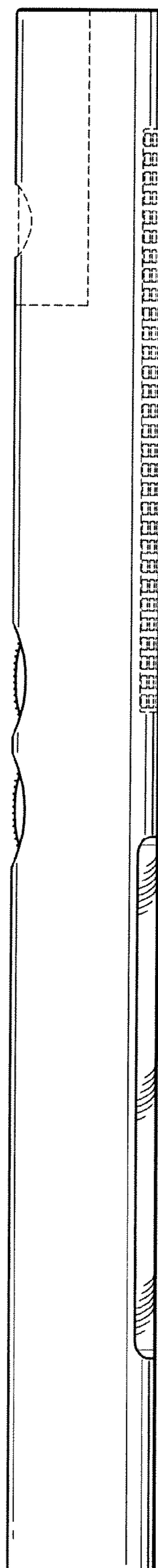


FIG. 4

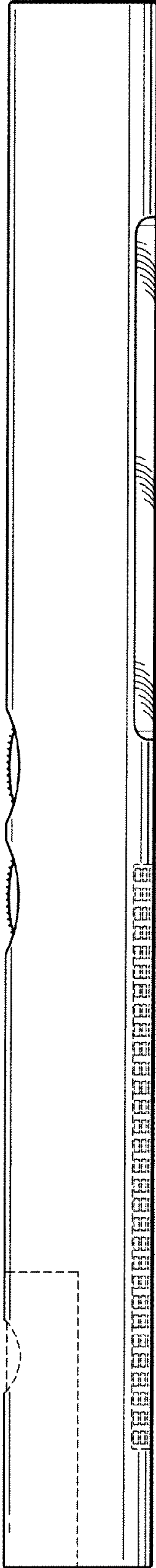


FIG. 5

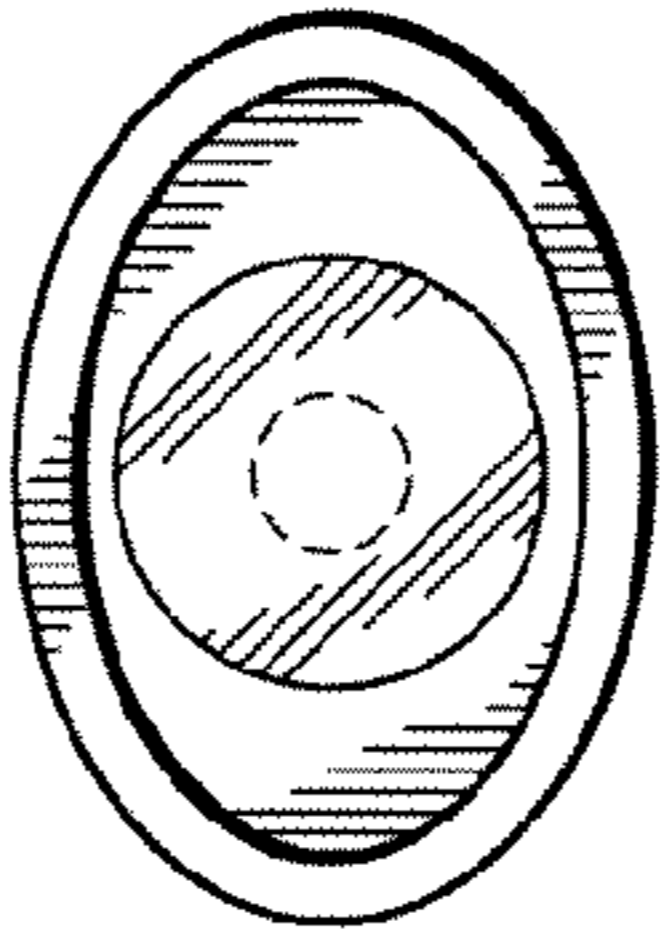


FIG. 7

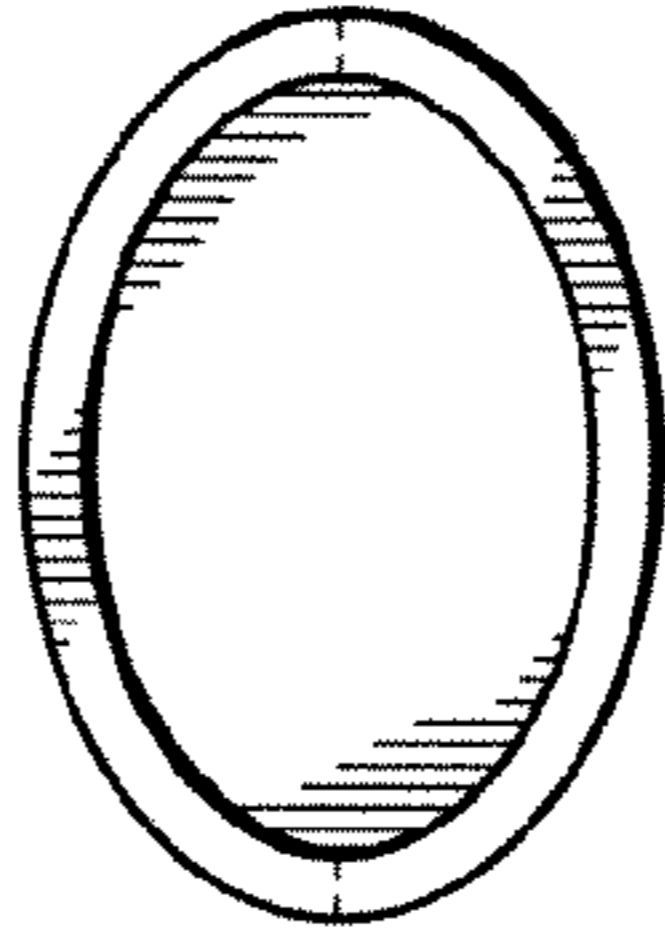


FIG. 8

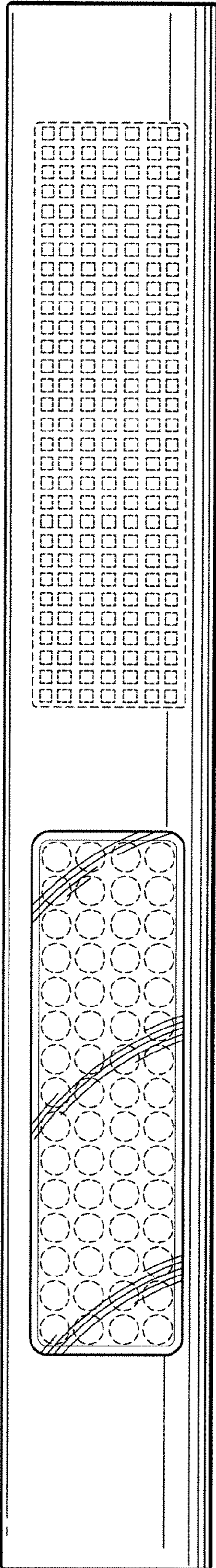


FIG. 6