



US00D637747S

(12) **United States Design Patent**
Hesse et al.

(10) **Patent No.:** **US D637,747 S**
(45) **Date of Patent:** **** May 10, 2011**

(54) **FLASHLIGHT**

D481,815 S 11/2003 Krieger et al.
D482,151 S * 11/2003 Shiu D26/49

(Continued)

(75) Inventors: **Bryan L. Hesse**, Guilford, CT (US);
James Sener, Glastonbury, CT (US);
Christopher D. Hageman, South
Glastonbury, CT (US)

OTHER PUBLICATIONS

Hesse et al., U.S. Appl. No. 29/336,536, filed May 5, 2009, entitled
"Portion of a Flashlight".

(Continued)

(73) Assignee: **The Gillette Company**, Boston, MA
(US)

Primary Examiner — Ian Simmons

Assistant Examiner — Carissa C Fitts

(74) *Attorney, Agent, or Firm* — Fish & Richardson P.C.

(**) Term: **14 Years**

(21) Appl. No.: **29/314,639**

(57) **CLAIM**

The ornamental design for a flashlight, as shown and
described.

(22) Filed: **Apr. 15, 2009**

(51) **LOC (9) Cl.** **26-02**

(52) **U.S. Cl.** **D26/49**

DESCRIPTION

(58) **Field of Classification Search** D26/37,
D26/38, 40–50; 362/157, 158, 183–199,
362/202–208

See application file for complete search history.

FIG. 1 is a perspective view of the flashlight as seen from the
front, top, right side;

FIG. 2 is a top plan view of the flashlight of FIG. 1;

FIG. 3 is a right side elevational view of the flashlight of FIG.
1, the other side elevational view being a mirror image
thereof;

FIG. 4 is a perspective view of a second embodiment of the
flashlight, as seen from the front, top, right side;

FIG. 5 is a top plan view of the flashlight of FIG. 4; and,

FIG. 6 is a right side elevational view of the flashlight of FIG.
4, the other side elevational view being a mirror image
thereof.

The dense stippling represents a surface having a color that
contrasts with the color of the surface including the sparse
stippling. The surface including the sparse stippling has a
color that also contrasts with the surface that does not include
stippling. The surface that does not include stippling can have
the same color or a different color from the surface that
includes the dense stippling.

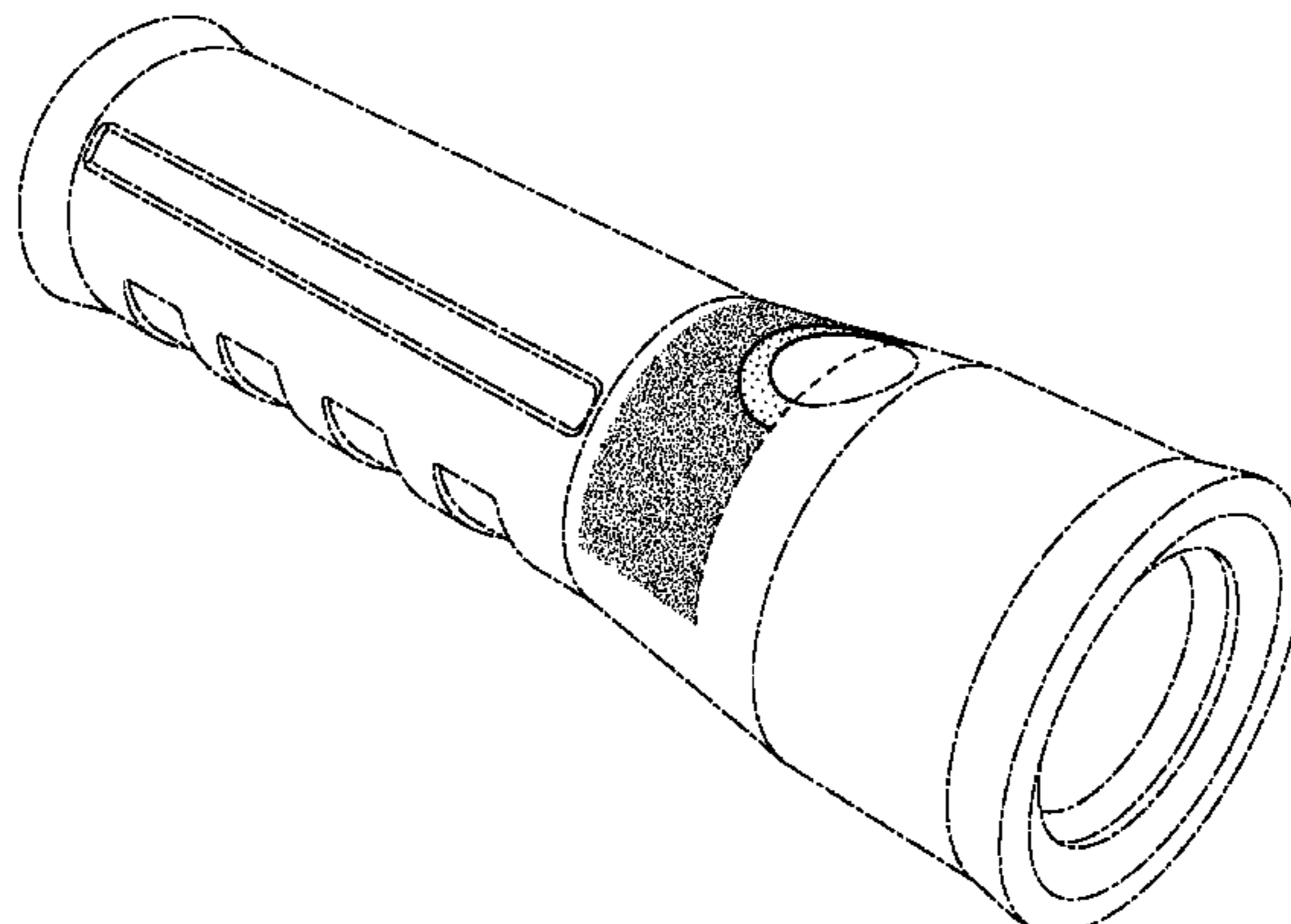
The uniform broken line defines a bound of the claimed
design and forms no part thereof. The non-uniform broken
lines showing the remainder of the flashlight are for illustra-
tive purposes only and form no part of the claimed design.

(56) **References Cited**

U.S. PATENT DOCUMENTS

D238,604 S *	1/1976	Brindley	D26/49
D256,278 S	8/1980	Wong		
D280,028 S *	8/1985	Petterson	D26/49
D351,477 S	10/1994	Bamber		
D353,216 S	12/1994	Sharrah et al.		
D360,043 S	7/1995	Inukai		
D363,361 S	10/1995	Maglica		
D367,721 S	3/1996	Maglica		
D368,147 S *	3/1996	Bamber et al.	D26/49
D399,581 S	10/1998	Giese et al.		
D424,226 S *	5/2000	Petterson	D26/49
D425,228 S	5/2000	Kibler		
D425,231 S *	5/2000	Lynch et al.	D26/49
D433,171 S *	10/2000	Petterson et al.	D26/49
D438,317 S	2/2001	Yuen		
D444,898 S *	7/2001	Israel et al.	D26/49
D445,522 S *	7/2001	Chiu	D26/49
D449,395 S *	10/2001	Dalton et al.	D26/49
D467,022 S *	12/2002	Fritz	D26/49
D481,814 S	11/2003	Krieger et al.		

1 Claim, 6 Drawing Sheets



U.S. PATENT DOCUMENTS

D486,935	S	*	2/2004	Shiu	D26/49
D488,877	S	*	4/2004	Shin	D26/49
D493,008	S	*	7/2004	Brent	D26/49
D496,479	S		9/2004	Ashfield		
D511,586	S		11/2005	Yeh		
D513,642	S		1/2006	Zhang		
D520,160	S		5/2006	Lee		
D520,167	S	*	5/2006	Garrity	D26/49
D521,670	S		5/2006	Kung		
D523,982	S	*	6/2006	Doong	D26/49
D530,031	S		10/2006	Kung		
D555,267	S		11/2007	Lin		
D561,366	S		2/2008	Wang		
D574,984	S		8/2008	Hesse et al.		
D579,594	S		10/2008	Hesse et al.		
D605,799	S		12/2009	Kim		
D606,222	S	*	12/2009	Gebhard	D26/49

OTHER PUBLICATIONS

Baker et al., U.S. Appl. No. 29/335,400, filed Apr. 15, 2009, entitled "Portion of a Flashlight".

Baker et al., U.S. Appl. No. 29/335,396, filed Apr. 15, 2009, entitled "Portion of a Flashlight".
Baker et al., U.S. Appl. No. 29/335,393, filed Apr. 15, 2009, entitled "Portion of a Flashlight".
Baker et al., U.S. Appl. No. 29/314,643, filed Apr. 15, 2009, entitled "Portion of a Flashlight".
Hesse et al., U.S. Appl. No. 29/314,638, filed Apr. 15, 2009, entitled "Portion of a Headlamp".
Baker et al., U.S. Appl. No. 29/314,636, filed Apr. 15, 2009, entitled "Portion of a Flashlight".
Baker et al., U.S. Appl. No. 29/314,630, filed Apr. 15, 2009, entitled "Portion of a Flashlight".
"All-Purpose Flashlight", Item # 4930, Crestline Custom Imprinted Products, Summer 2008 Catalog, top right corner of p. 27, (catalog cover page included).
Hesse et al., U.S. Appl. No. 29/296,218, filed Oct. 16, 2007, entitled "Flashlight".
Hesse et al., U.S. Appl. No. 29/292,537, filed Oct. 16, 2007, entitled "Flashlight".
Commercial Duracell battery (photograph), prior to Oct. 16, 2006.

* cited by examiner

FIG. 1

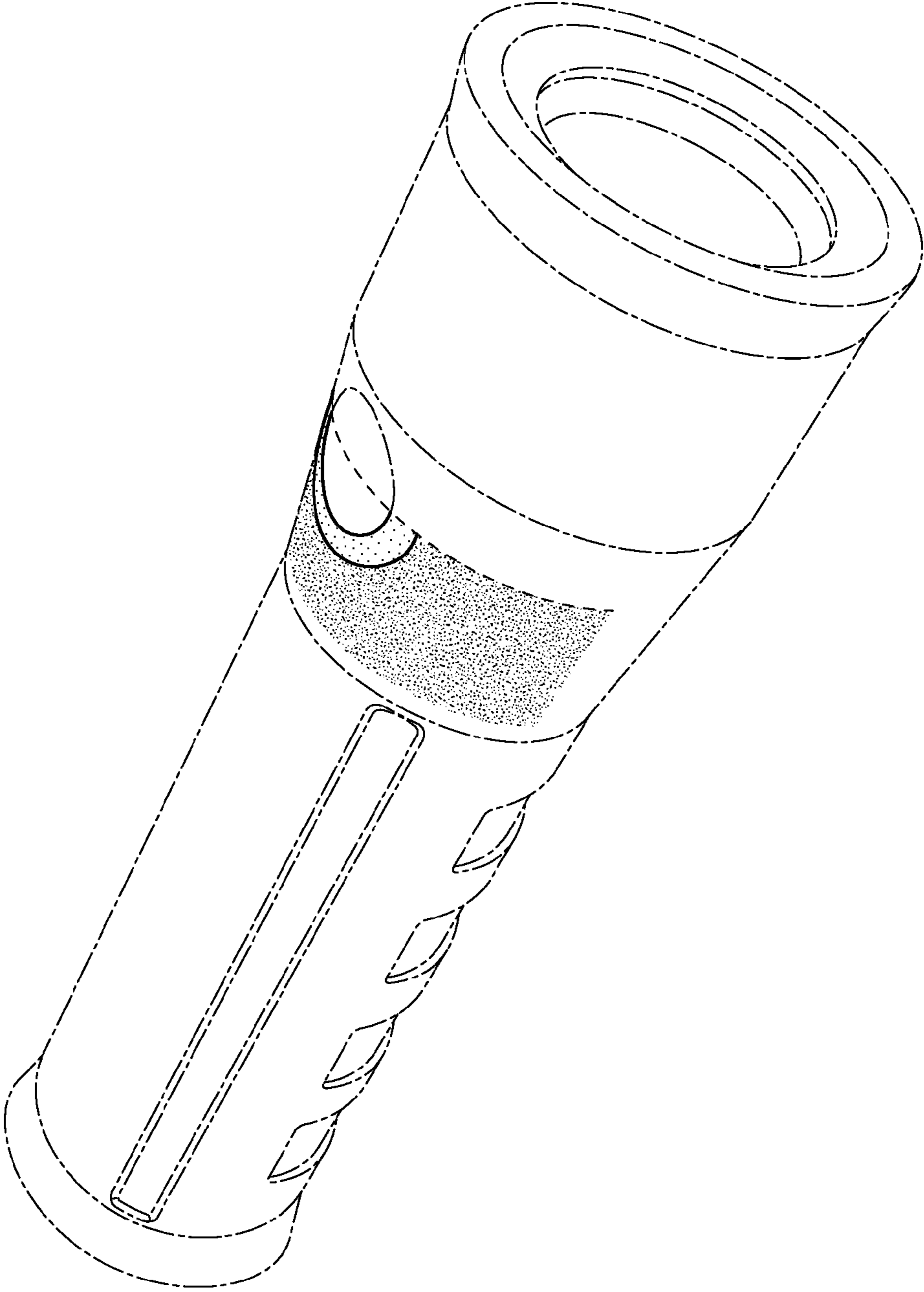


FIG. 2

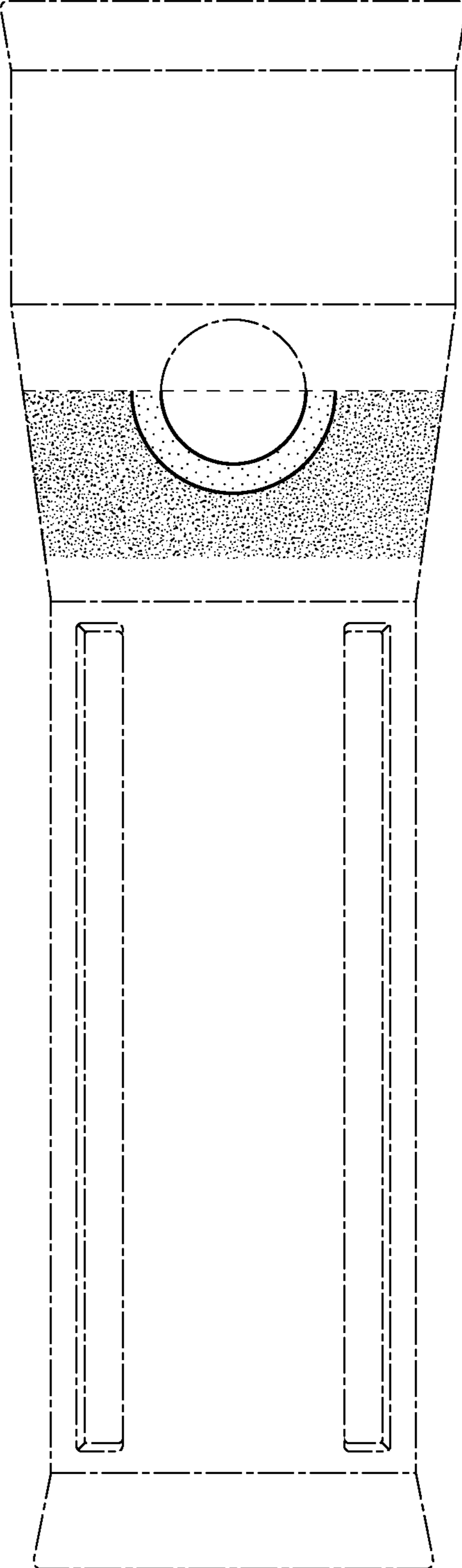


FIG. 3

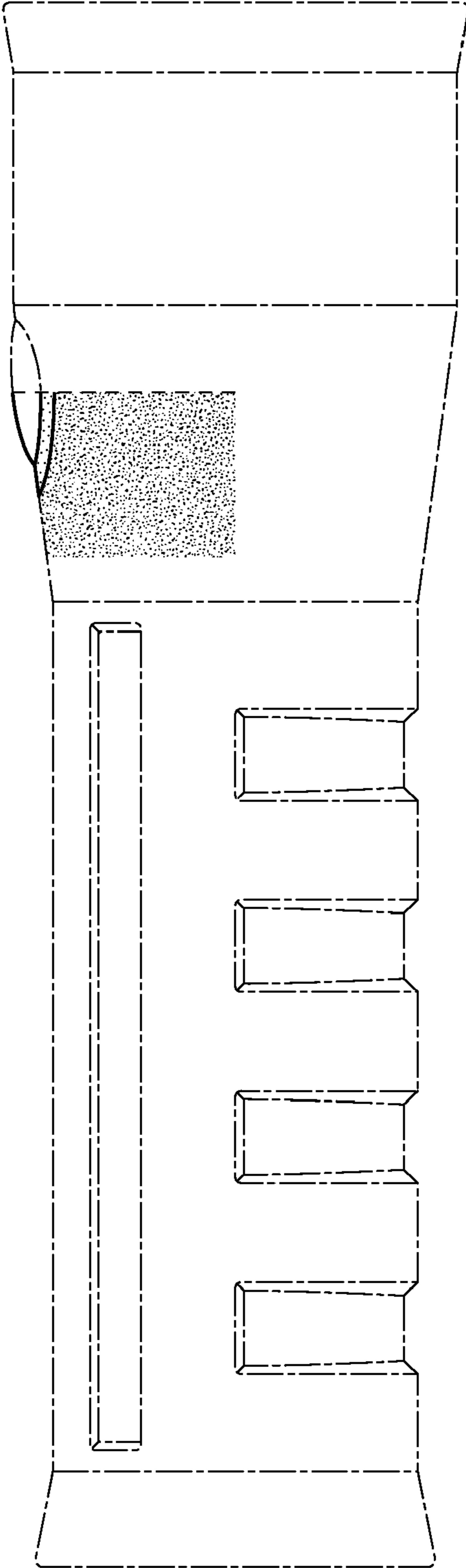


FIG. 4

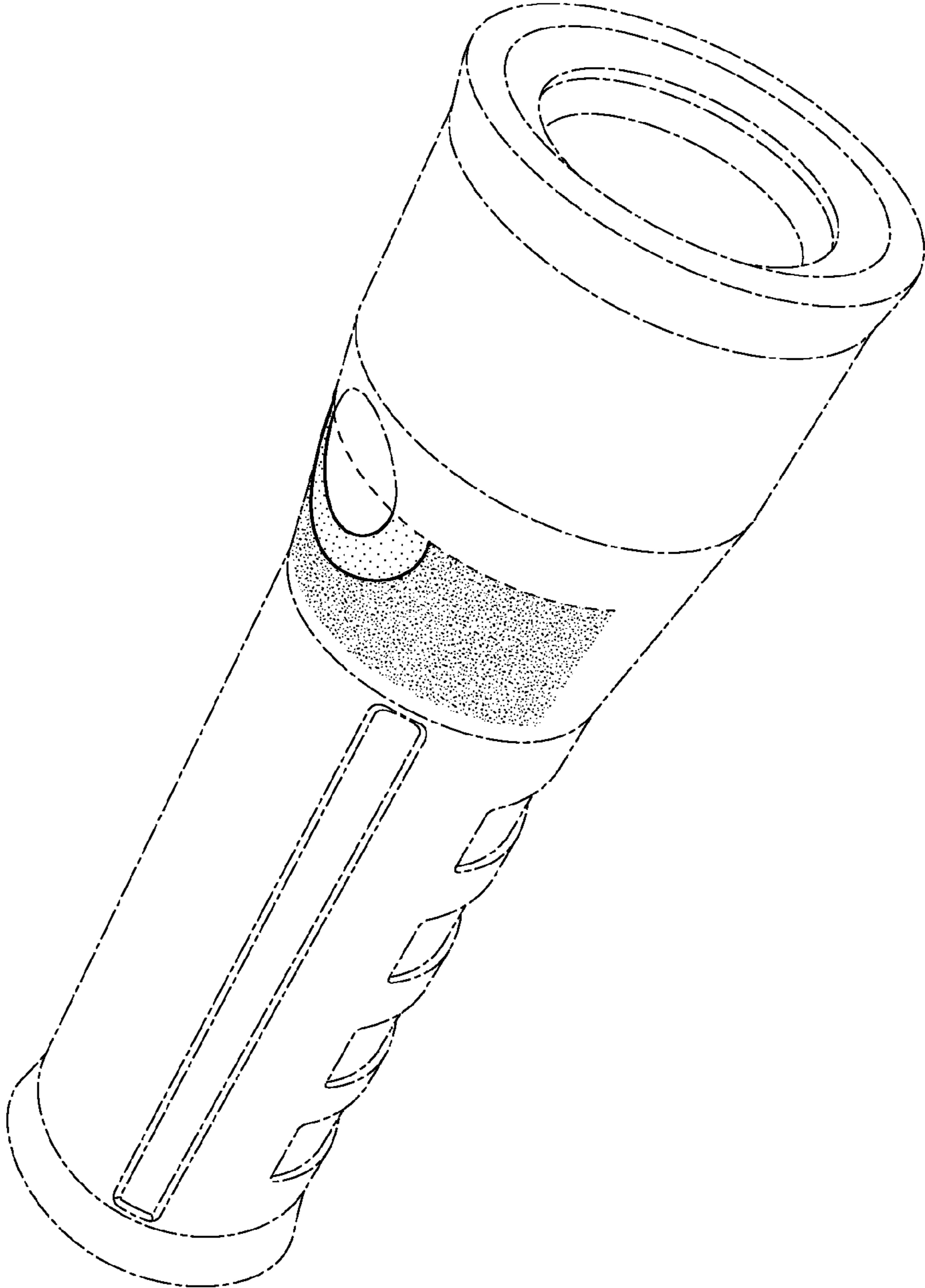


FIG. 5

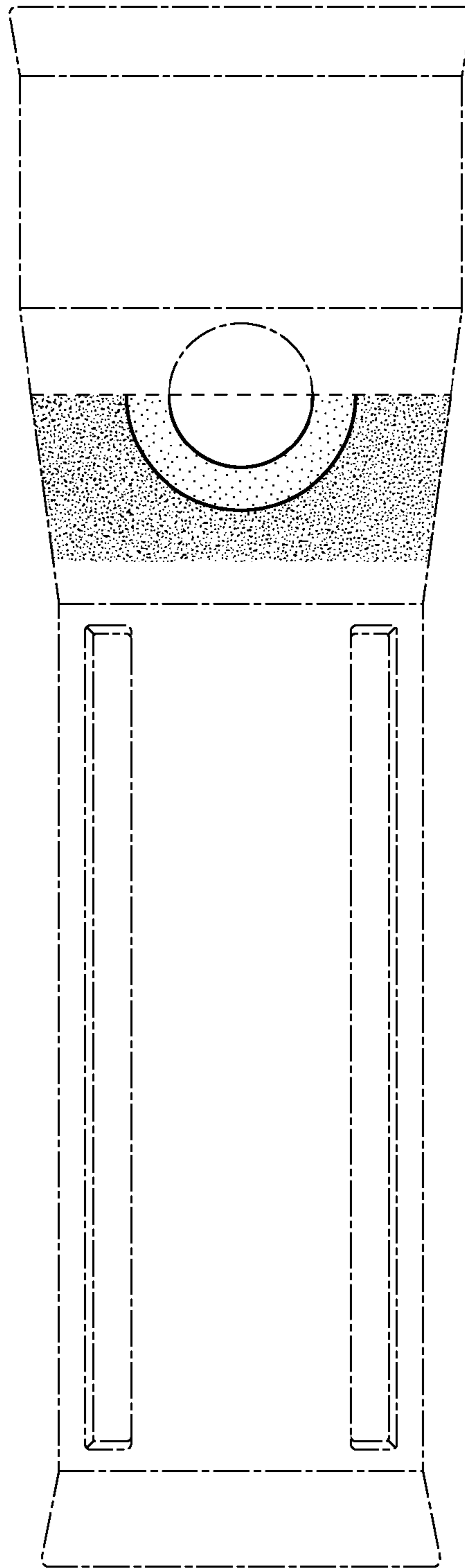


FIG. 6

