



US00D637741S

(12) **United States Design Patent**
Horezniak et al.

(10) **Patent No.:** **US D637,741 S**

(45) **Date of Patent:** **** May 10, 2011**

(54) **CANDLE**

(75) Inventors: **Steven Anthony Horezniak**, Cincinnati, OH (US); **Matthew Davis Bantly**, Cincinnati, OH (US)

(73) Assignee: **The Procter & Gamble Company**, Cincinnati, OH (US)

(**) Term: **14 Years**

(21) Appl. No.: **29/286,997**

(22) Filed: **May 25, 2007**

Related U.S. Application Data

(62) Division of application No. 29/266,585, filed on Sep. 25, 2006, now Pat. No. Des. 547,468.

(51) **LOC (9) Cl.** **26-04**

(52) **U.S. Cl.** **D26/6**

(58) **Field of Classification Search** D26/5-31; 431/288-297, 584; 362/351; D7/584
See application file for complete search history.

(56) **References Cited**

U.S. PATENT DOCUMENTS

6,241,512	B1	6/2001	Freeman et al.	
D459,498	S *	6/2002	Araujo	D26/6
6,435,694	B1	8/2002	Bell et al.	
D496,474	S *	9/2004	Murdick	D26/7
D547,467	S	7/2007	Horezniak et al.	
D547,468	S	7/2007	Horezniak et al.	
2003/0104330	A1	6/2003	Joyner	
2007/0169404	A1	7/2007	Cagle	

(Continued)

OTHER PUBLICATIONS

www.candlewic.com/candle-making-newsletter/0106.asp—Jan. 2006 How to Make Candles, Candle Making Newsletter, printed Sep. 25, 2006, 7 pages.

(Continued)

Primary Examiner — T. Chase Nelson

Assistant Examiner — Michael A Pratt

(74) *Attorney, Agent, or Firm* — Julia A. Glazer; Leonard W. Lewis; Steven W. Miller

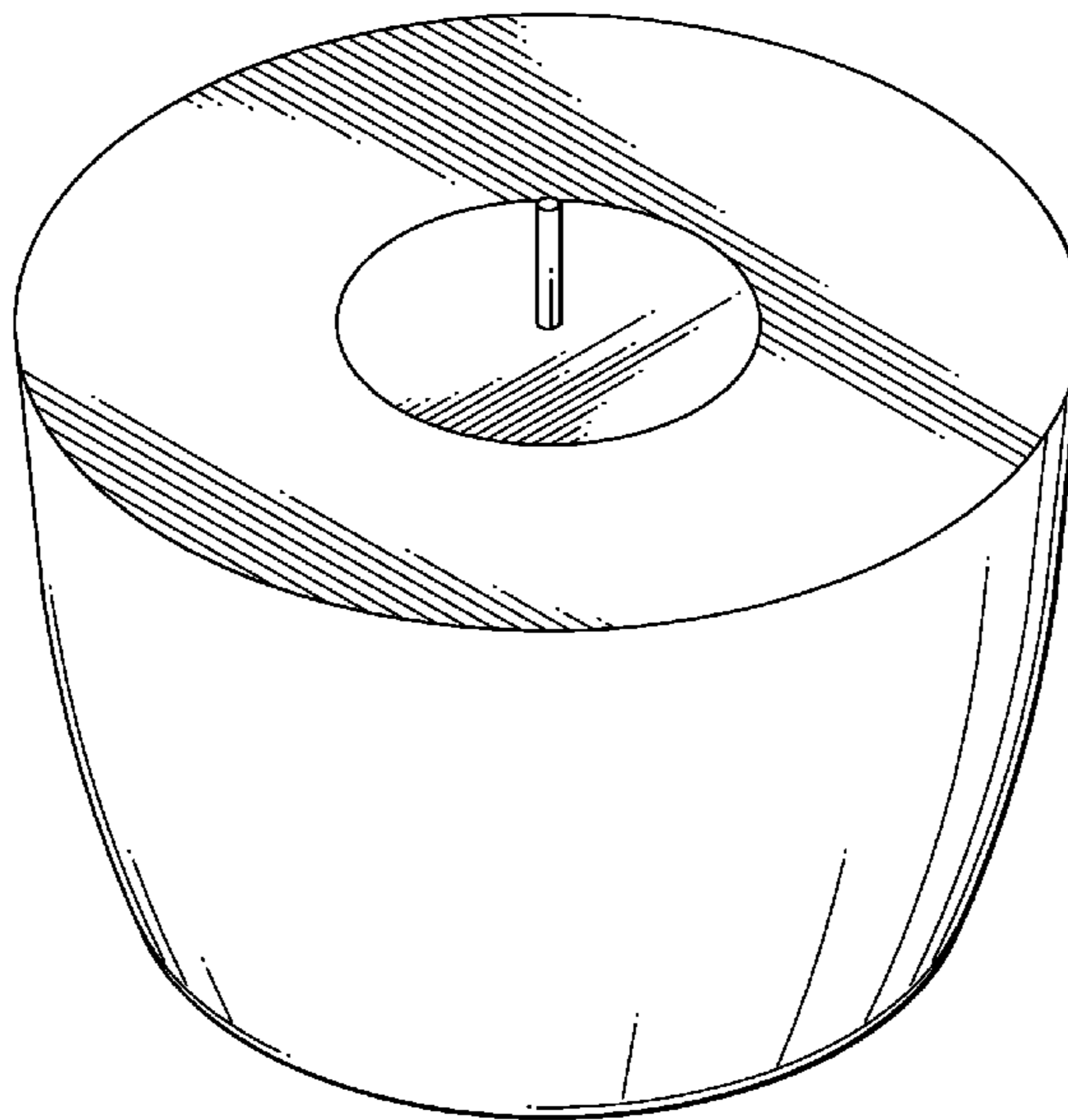
(57) **CLAIM**

The ornamental design for a candle, as shown and described.

DESCRIPTION

FIG. 1 is a perspective view of a candle.
 FIG. 2 is a front view of the candle of FIG. 1.
 FIG. 3 is a rear view of the candle of FIG. 1.
 FIG. 4 is a left side view of the candle of FIG. 1.
 FIG. 5 is a right side view of the candle of FIG. 1.
 FIG. 6 is a top view of the candle of FIG. 1.
 FIG. 7 is a bottom view of the candle of FIG. 1.
 FIG. 8 is a perspective view of another embodiment of a candle.
 FIG. 9 is a front view of the candle of FIG. 8.
 FIG. 10 is a rear view of the candle of FIG. 8.
 FIG. 11 is a left side view of the candle of FIG. 8.
 FIG. 12 is a right side view of the candle of FIG. 8.
 FIG. 13 is a top view of the candle of FIG. 8.
 FIG. 14 is a bottom view of the candle of FIG. 8.
 FIG. 15 is a perspective view of a portion of a candle.
 FIG. 16 is a front view of the candle of FIG. 15.
 FIG. 17 is a rear view of the candle of FIG. 15.
 FIG. 18 is a left side view of the candle of FIG. 15.
 FIG. 19 is a right side view of the candle of FIG. 15.
 FIG. 20 is a top view of the candle of FIG. 15; and,
 FIG. 21 is a bottom view of the candle of FIG. 15.
 The broken line showing of environmental structure in FIGS. 7 and 15-21 is for illustrative purposes only and forms no part of the claimed design.

1 Claim, 12 Drawing Sheets



US D637,741 S

Page 2

U.S. PATENT DOCUMENTS

2007/0169405 A1 7/2007 Cagle
2008/0081305 A1 4/2008 Horezniak et al.

OTHER PUBLICATIONS

<http://oami.europa.eu/RCDOnline/RequestManager>—European
Registered Community Design 000078829-0001.

U.S. Appl. No. 29/288,002, filed May 25, 2007, Horezniak et al.
U.S. Appl. No. 29/291,314, filed Aug. 23, 2007, Seum et al.
U.S. Appl. No. 29/291,315, filed Aug. 23, 2007, Seum et al.
U.S. Appl. No. 29/301,038, filed Feb. 7, 2008, Schwartz et al.
U.S. Appl. No. 29/301,060, filed Feb. 7, 2008, Schwartz et al.

* cited by examiner

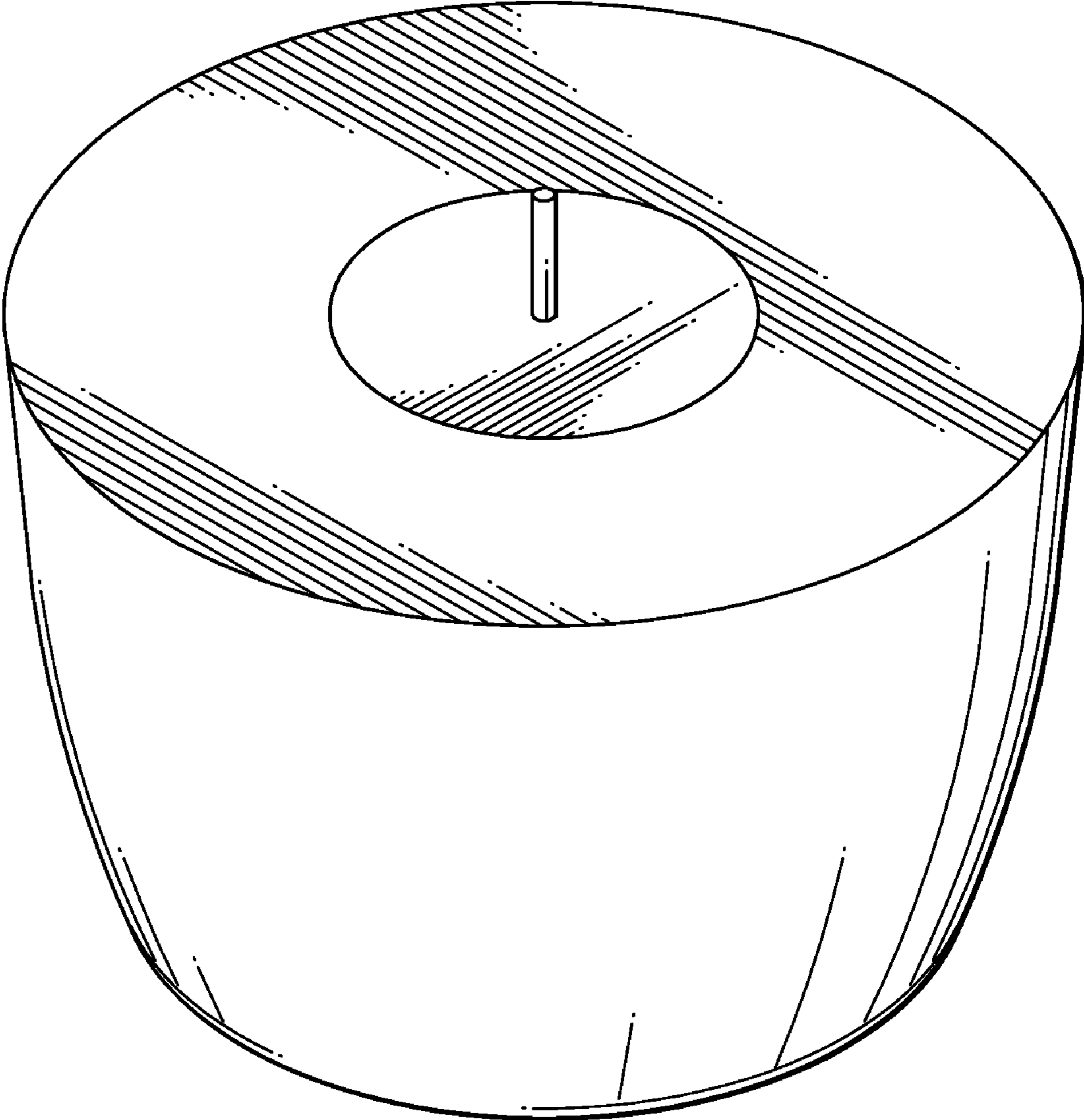


FIG. 1

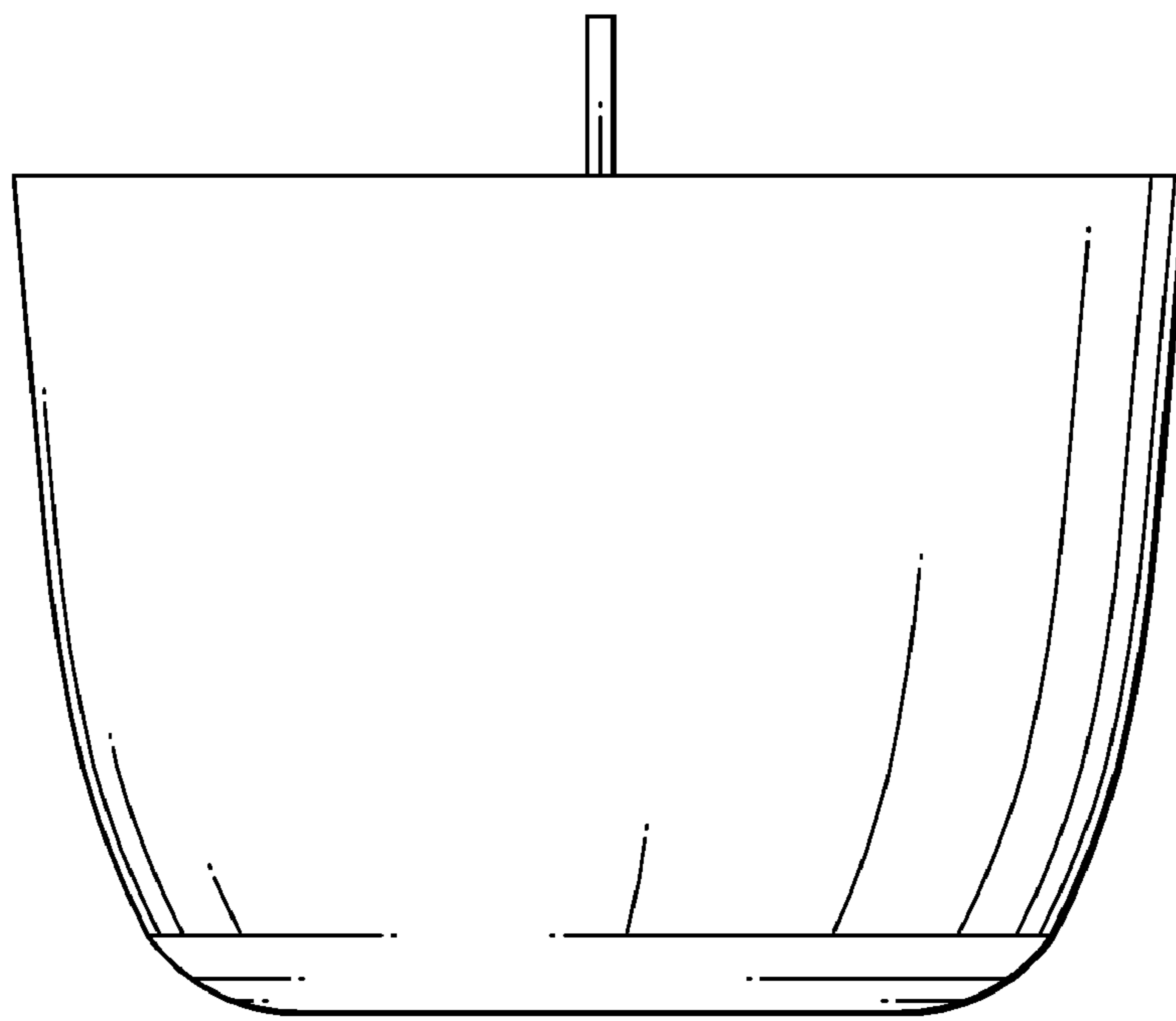


FIG. 2

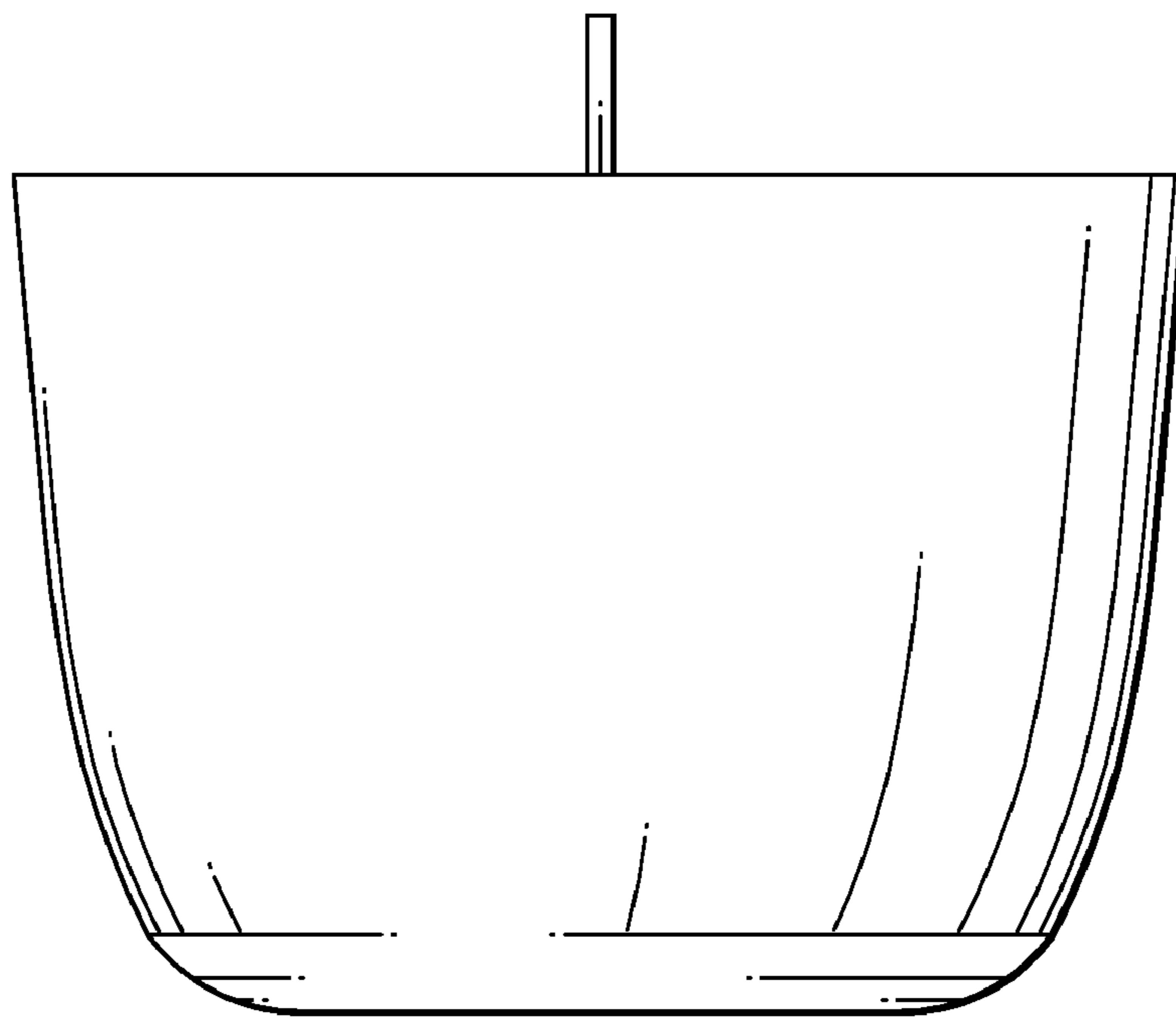


FIG. 3

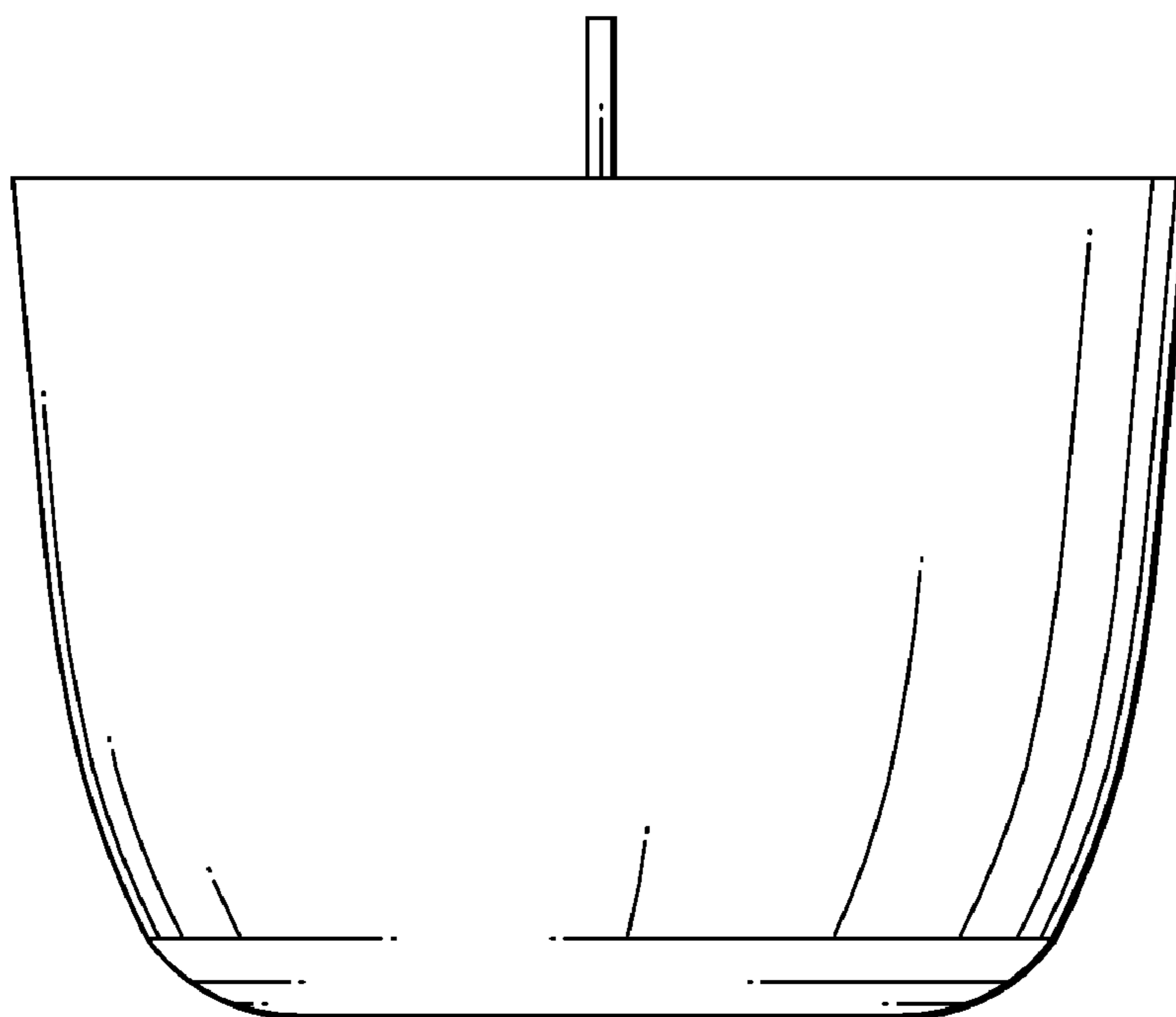


FIG. 4

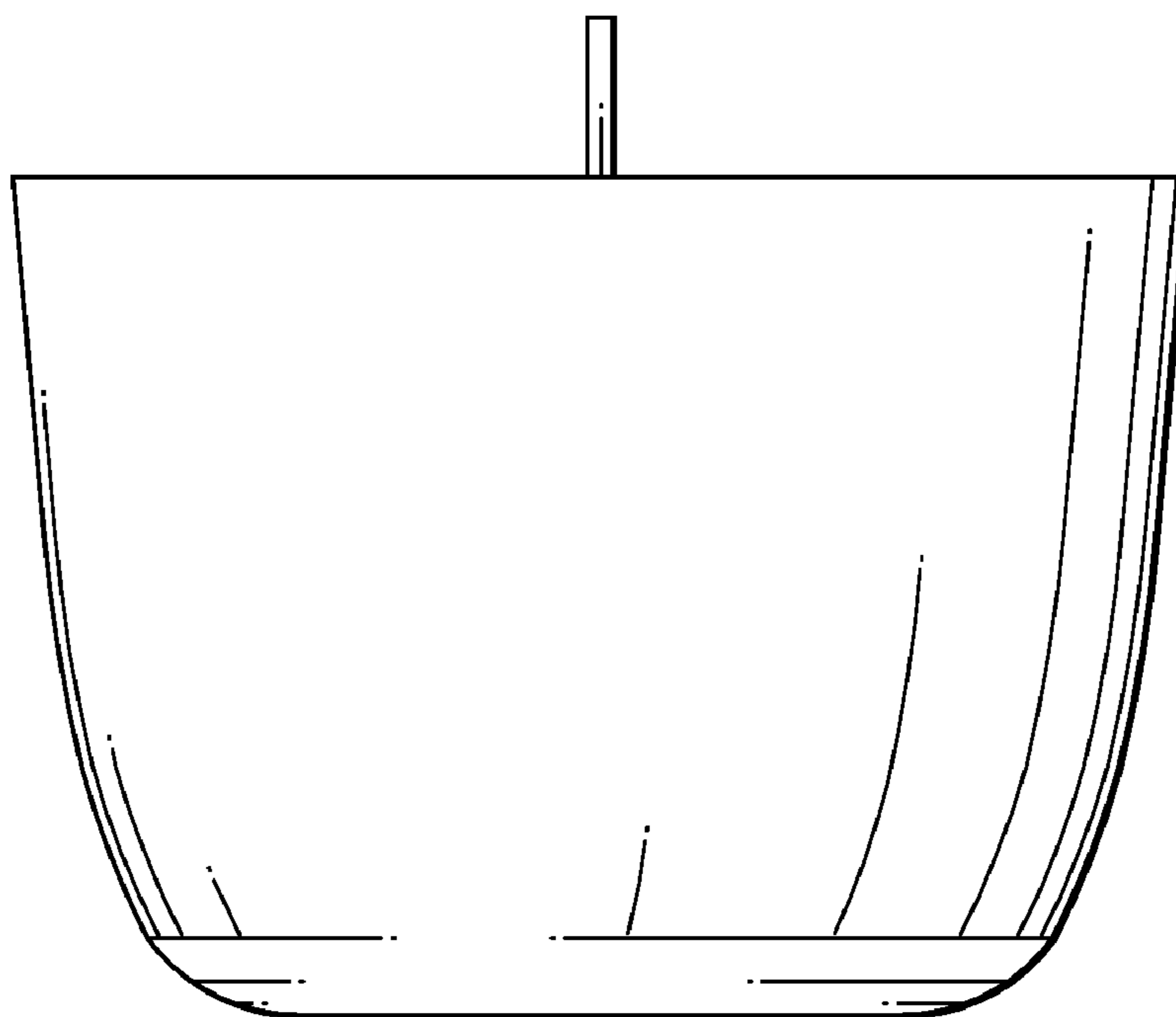


FIG. 5

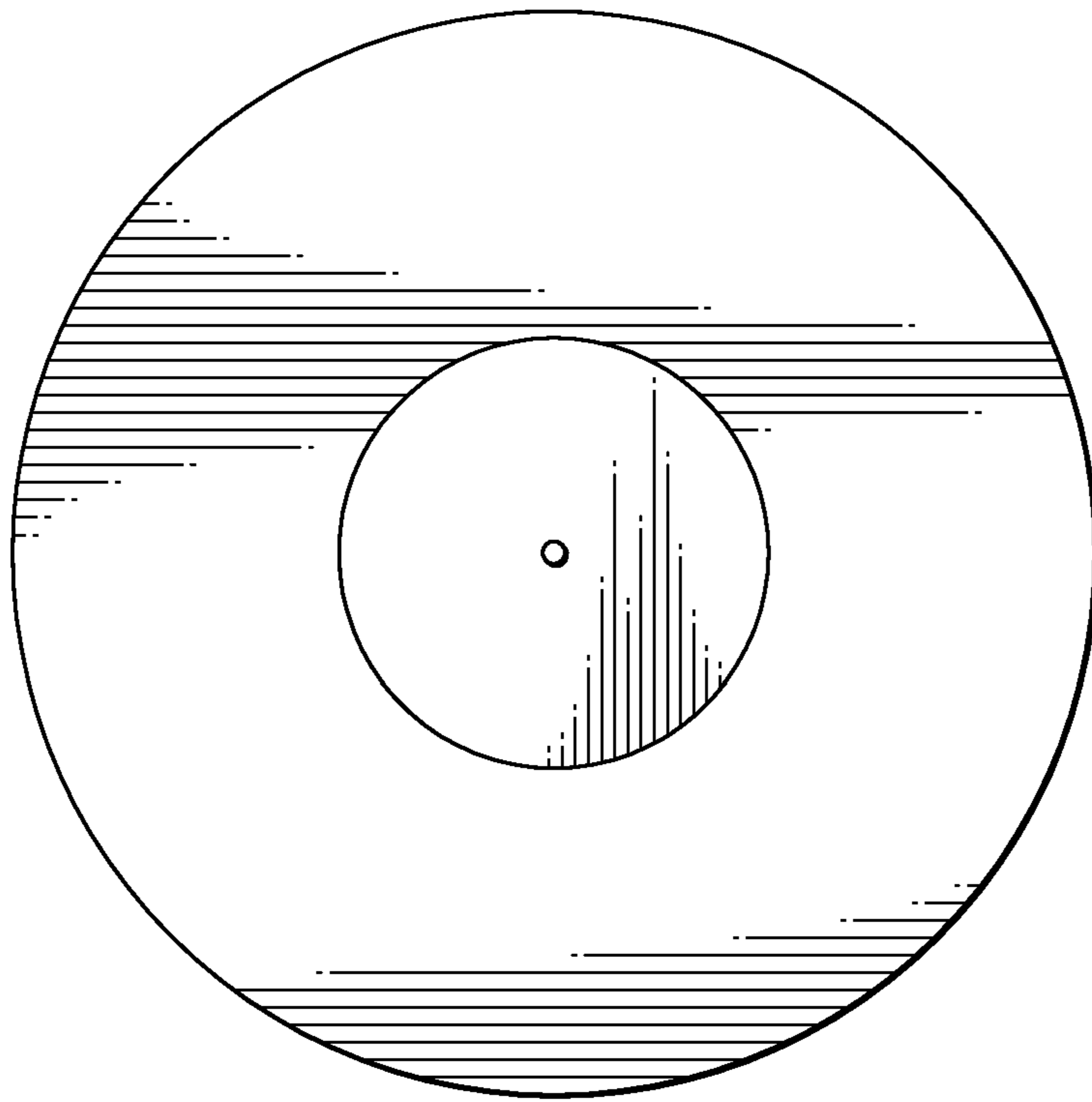


FIG. 6

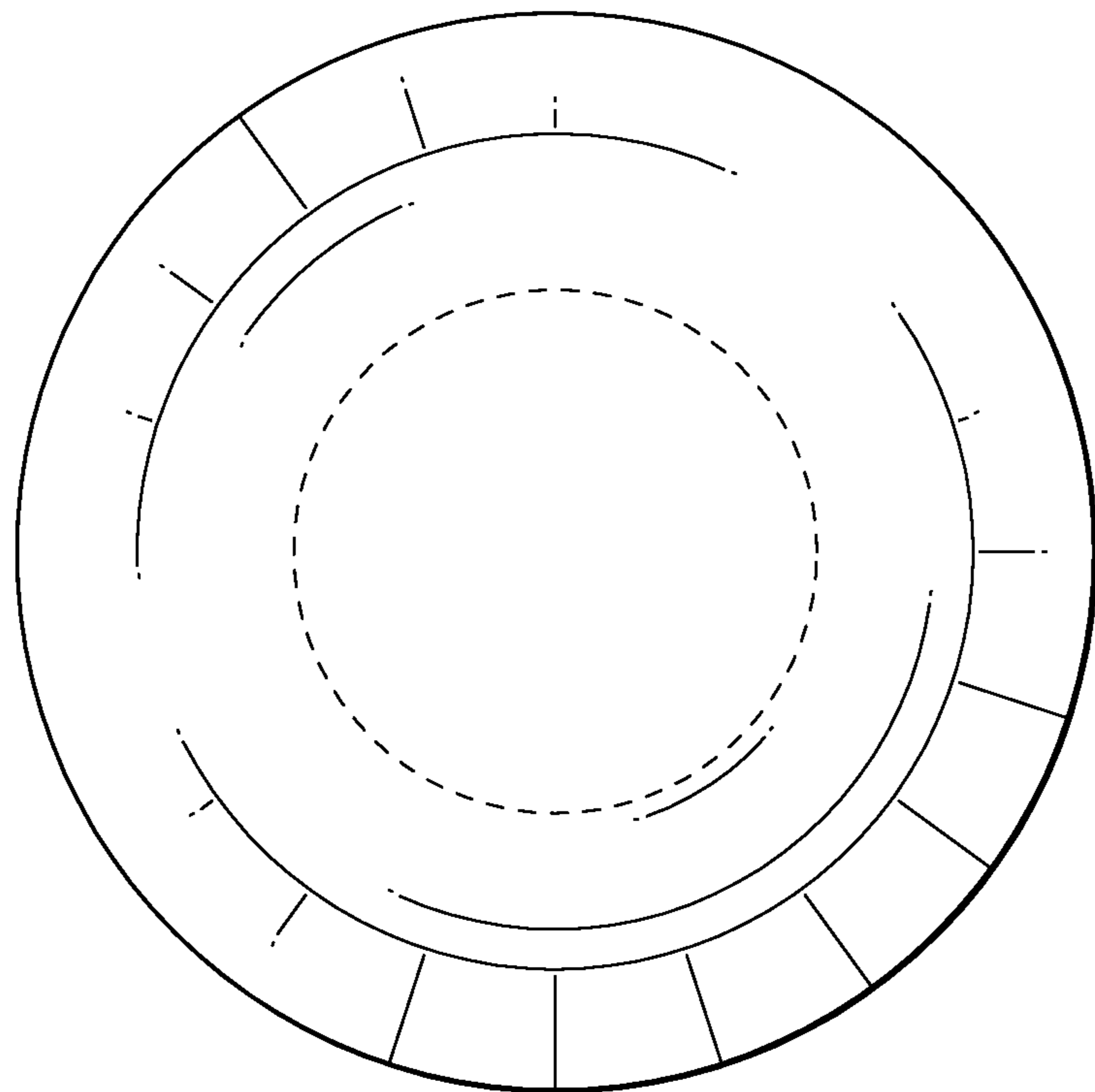


FIG. 7

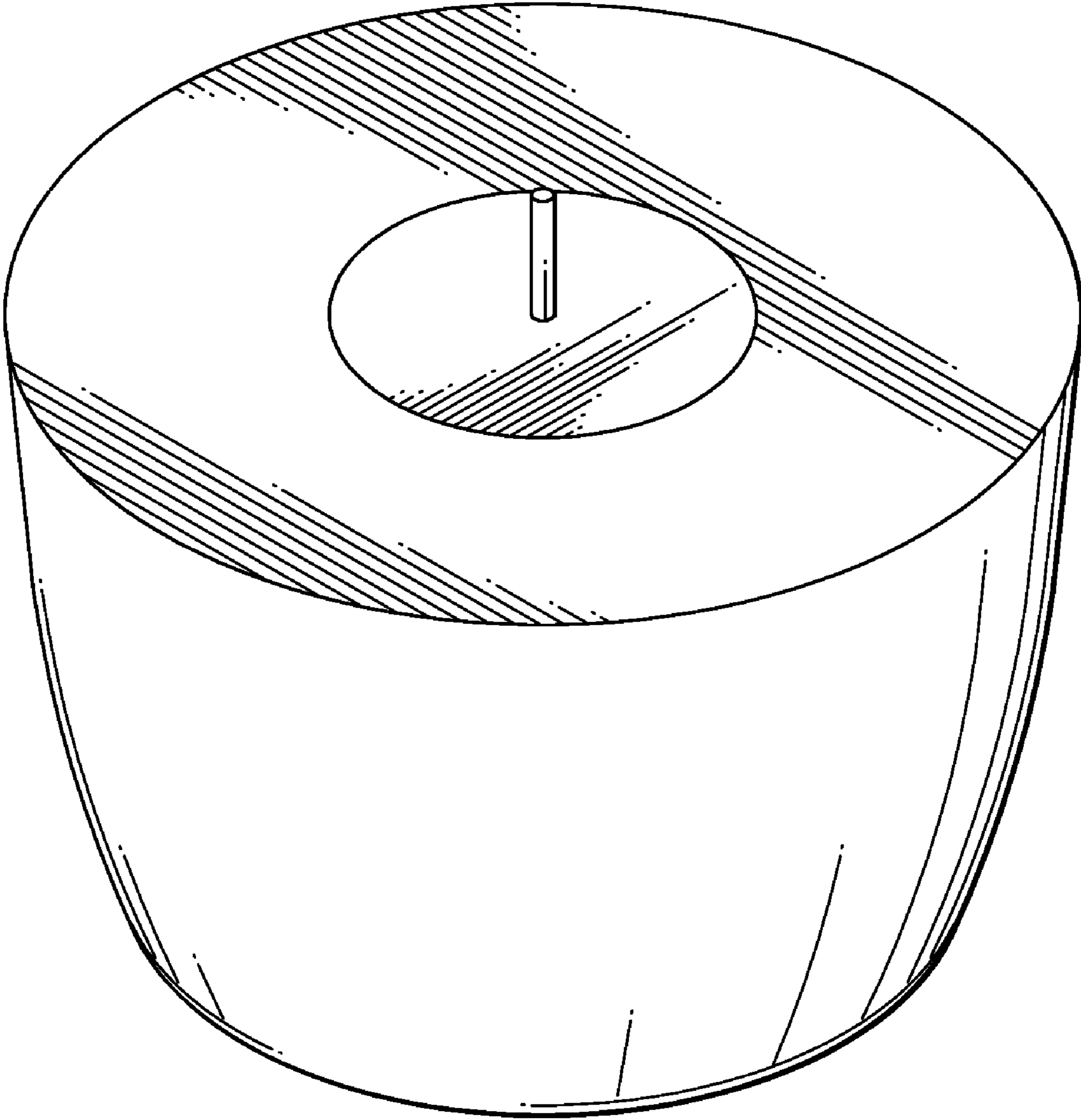


FIG. 8

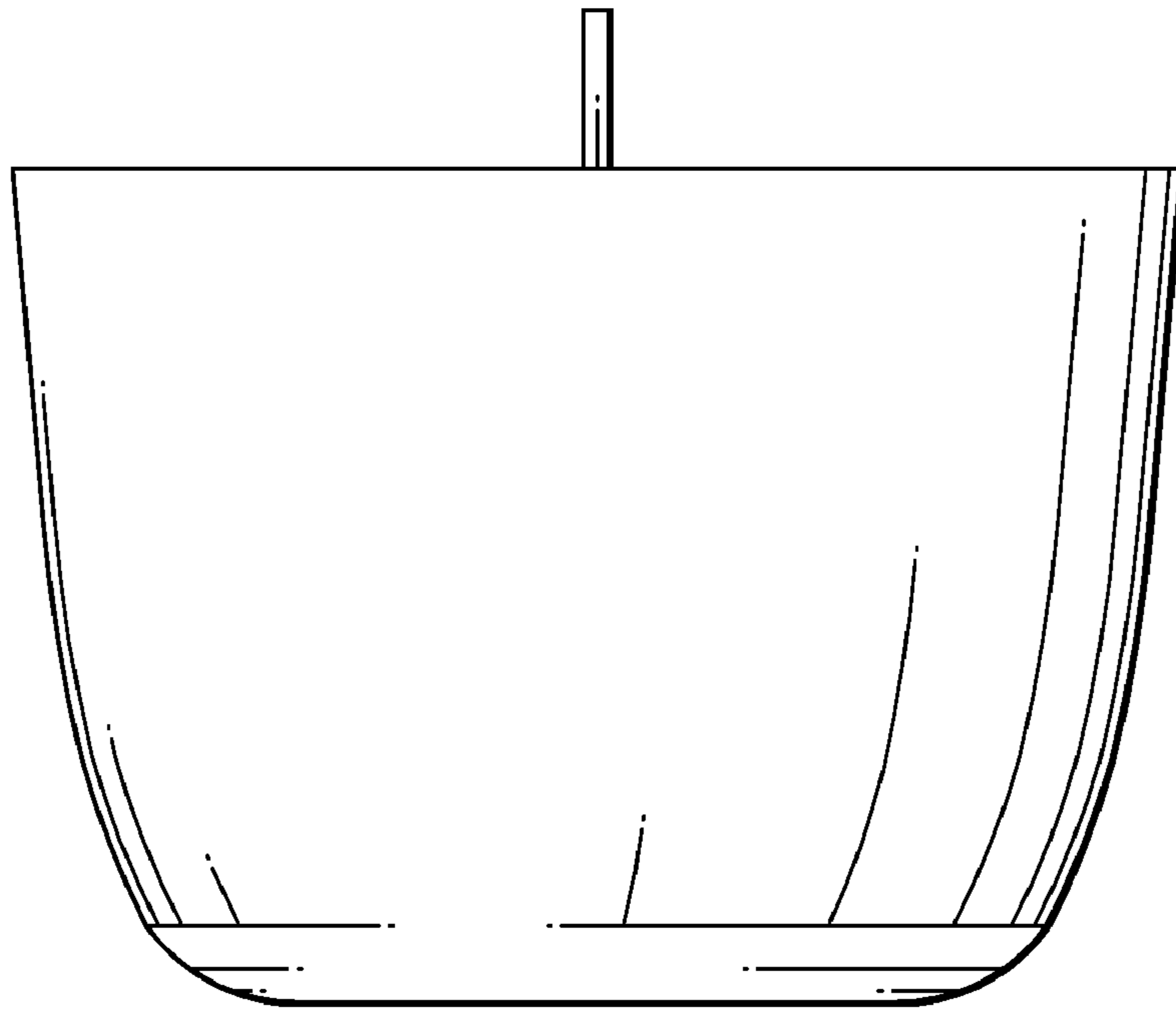


FIG. 9

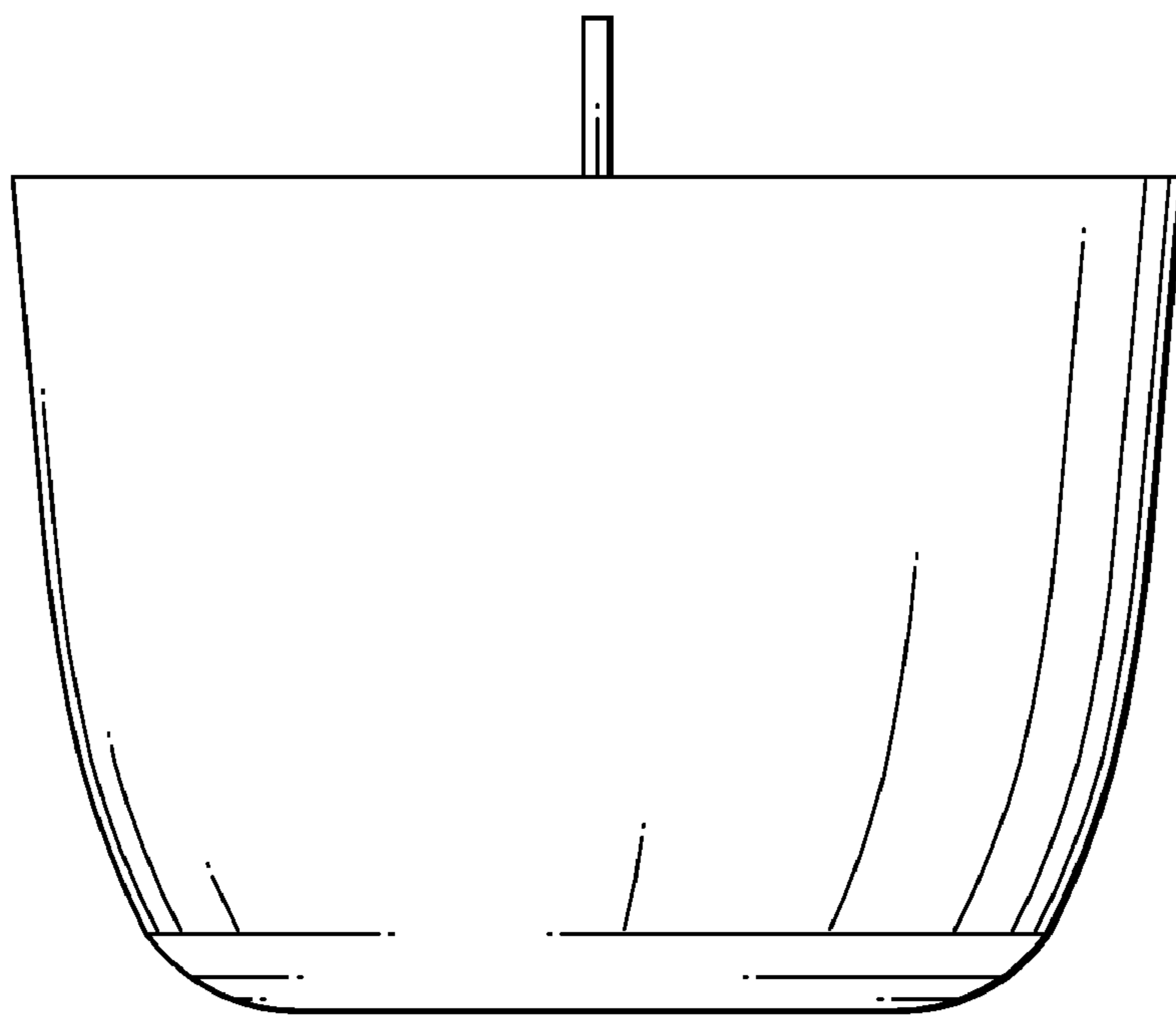


FIG. 10

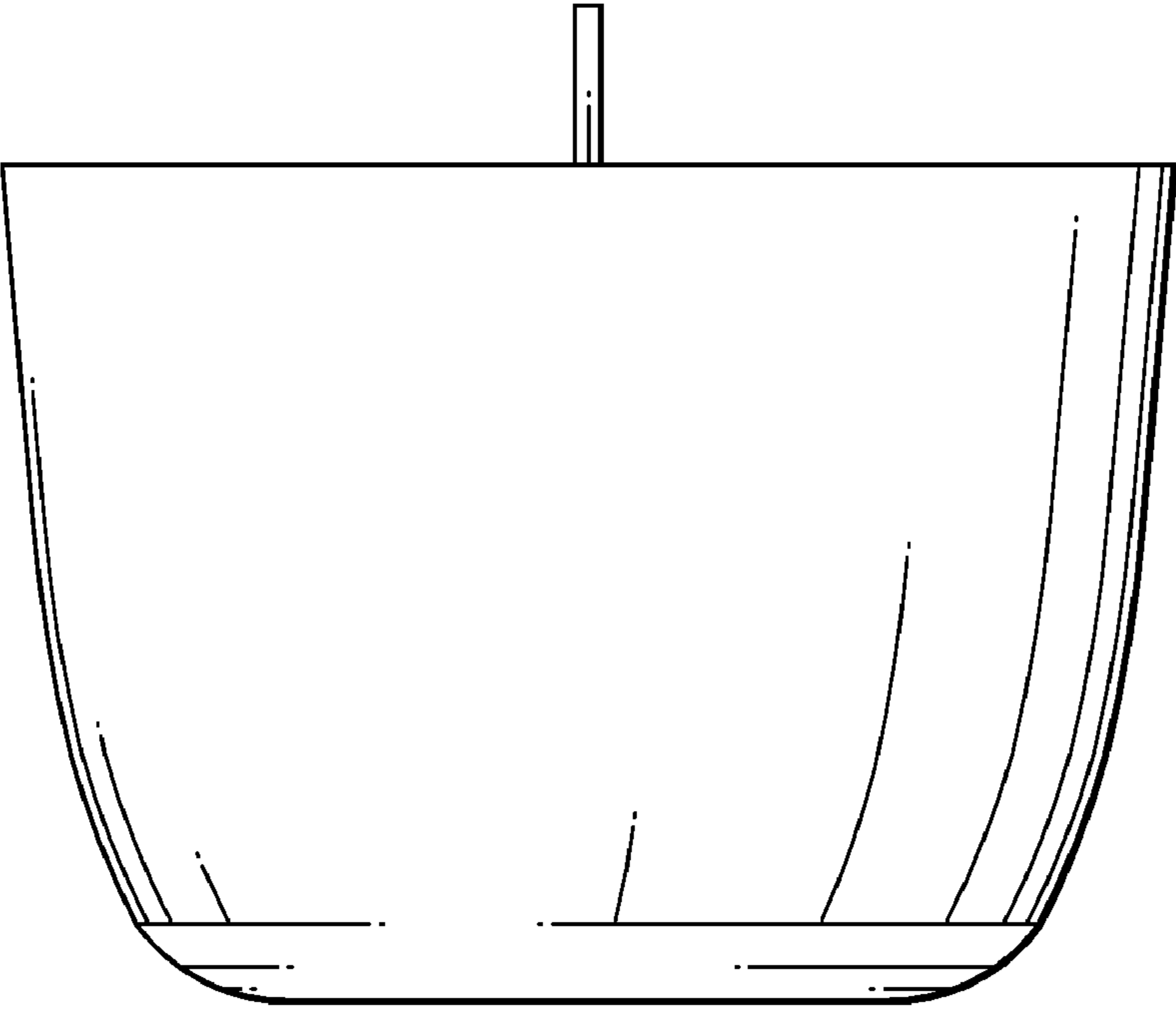


FIG. 11

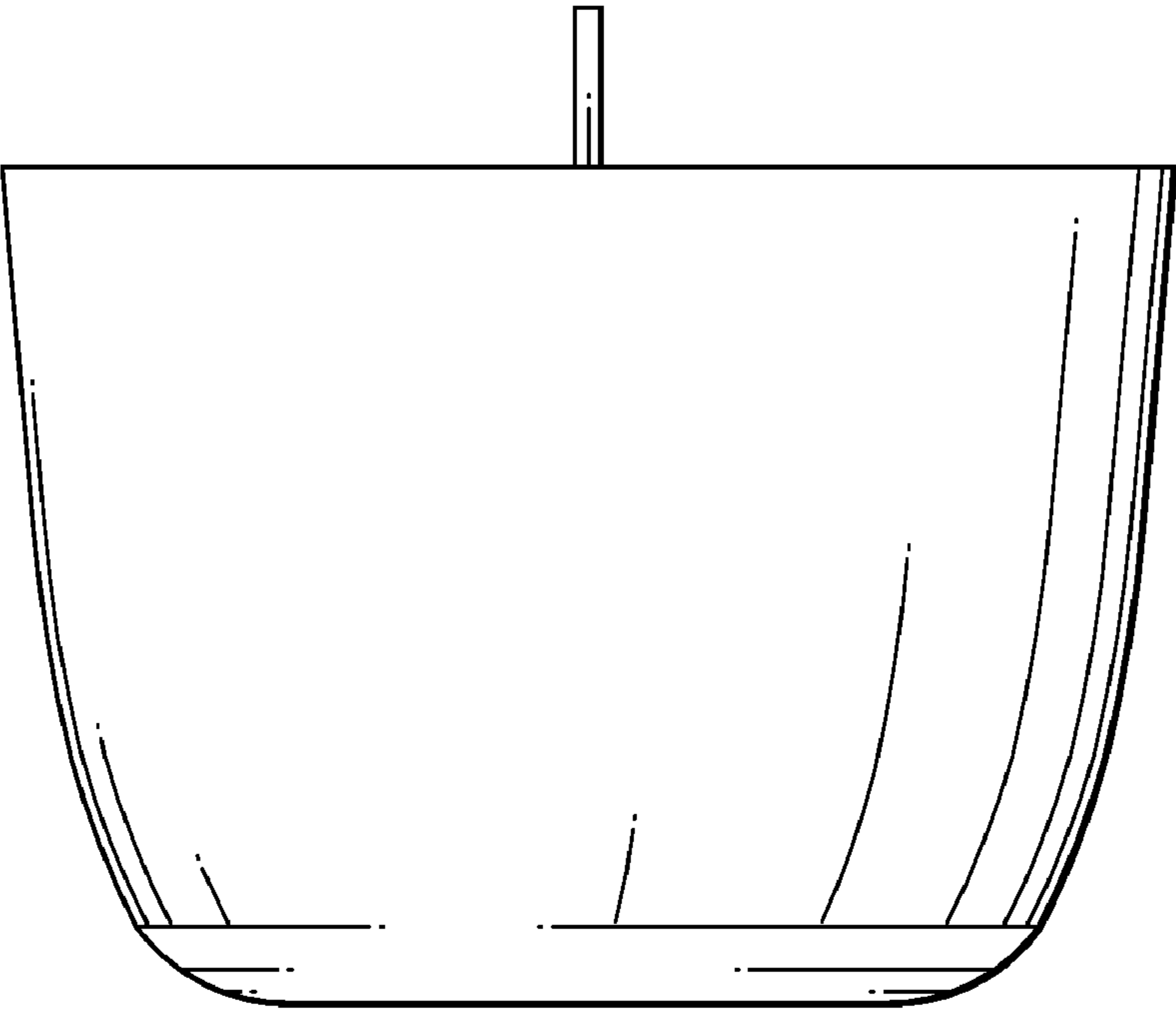


FIG. 12

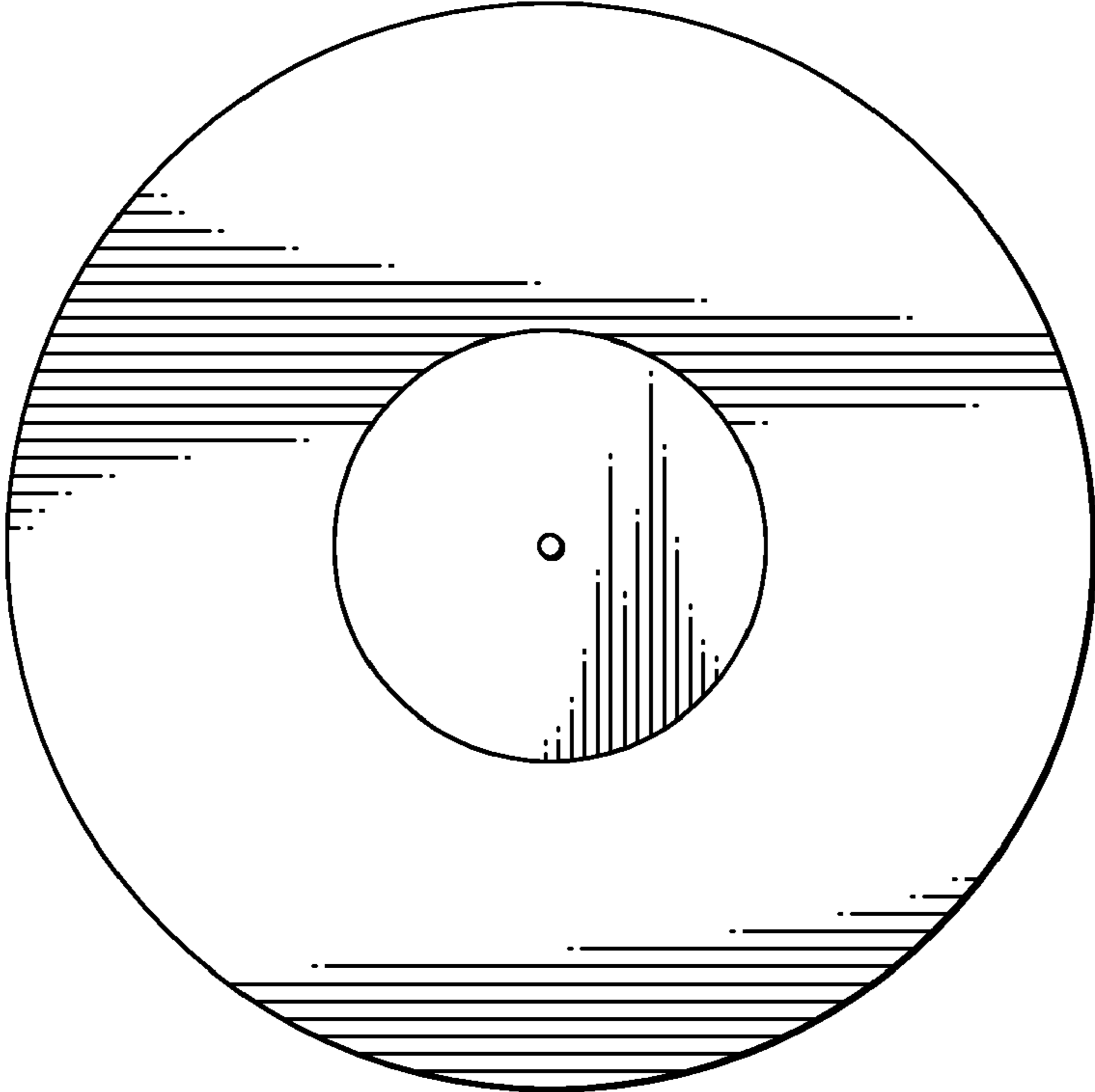


FIG. 13

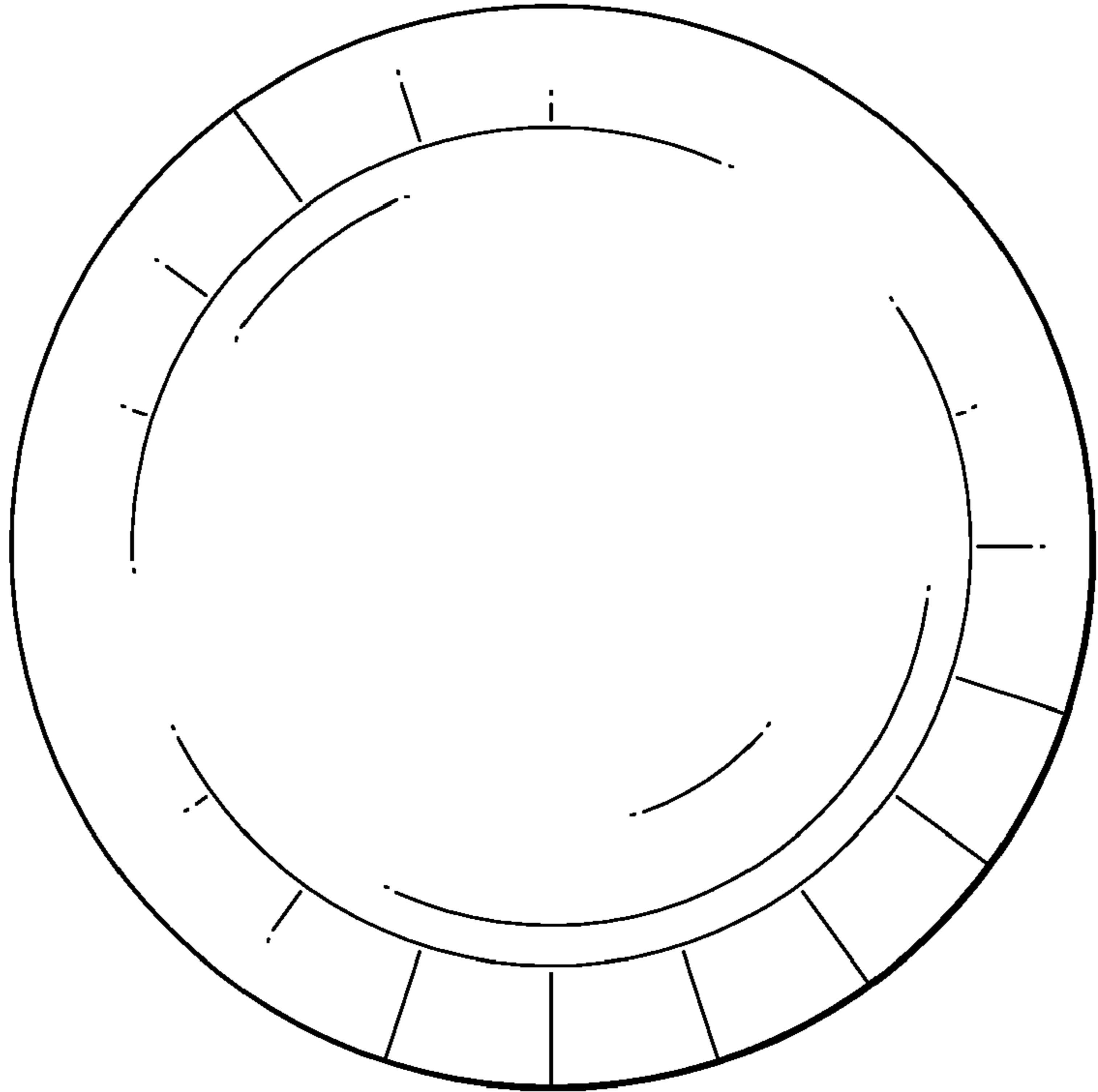


FIG. 14

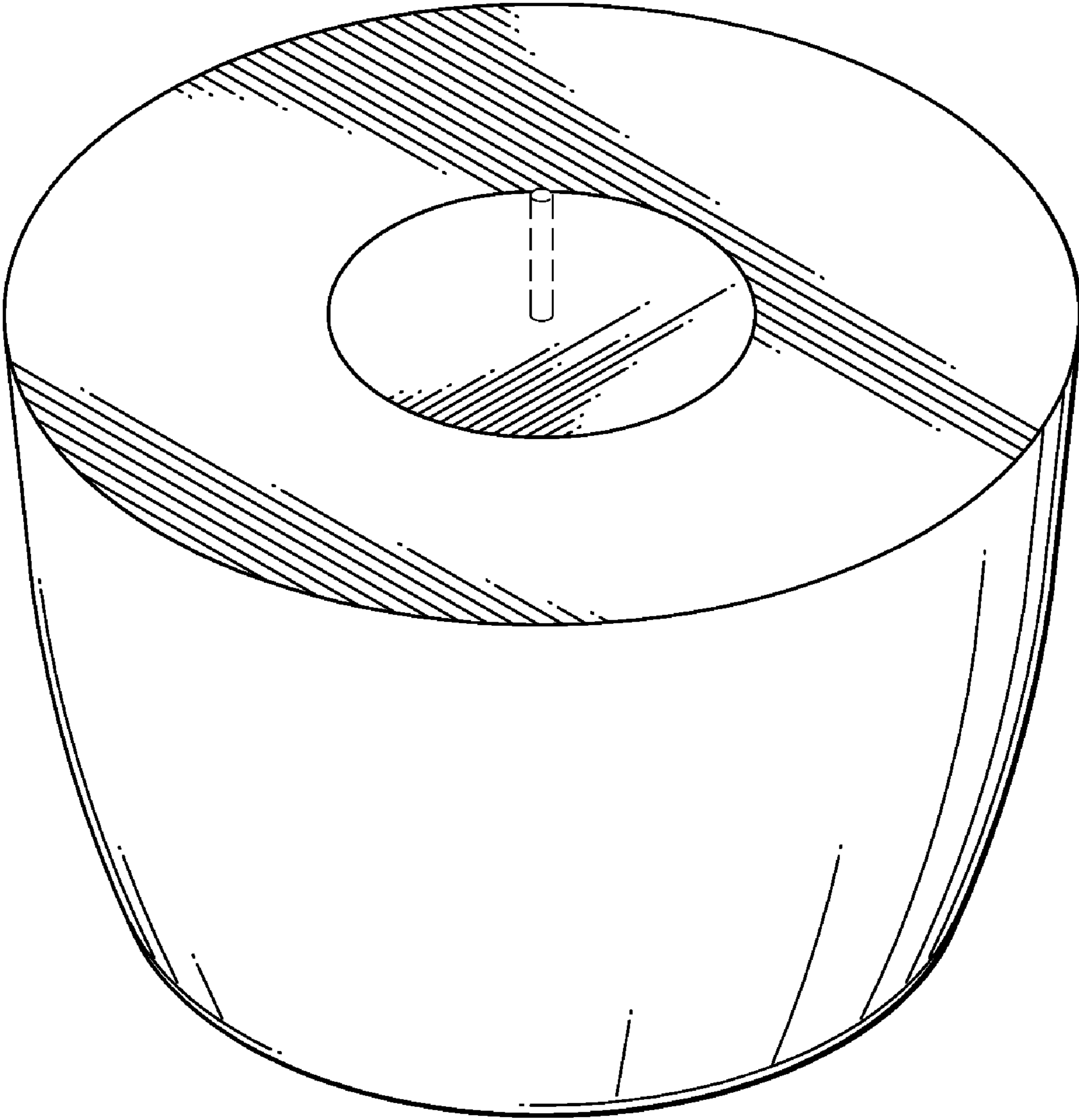


FIG. 15

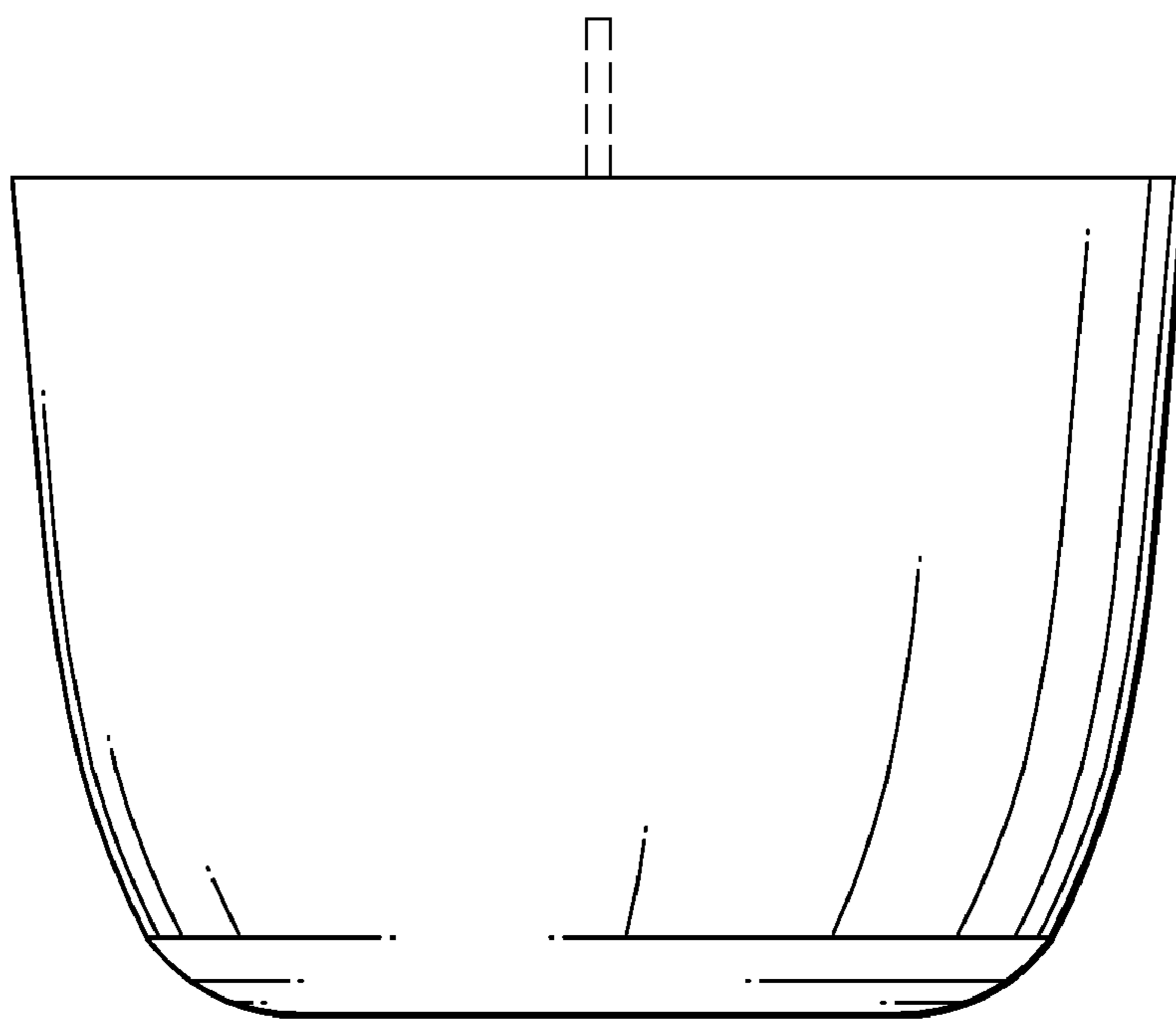


FIG. 16

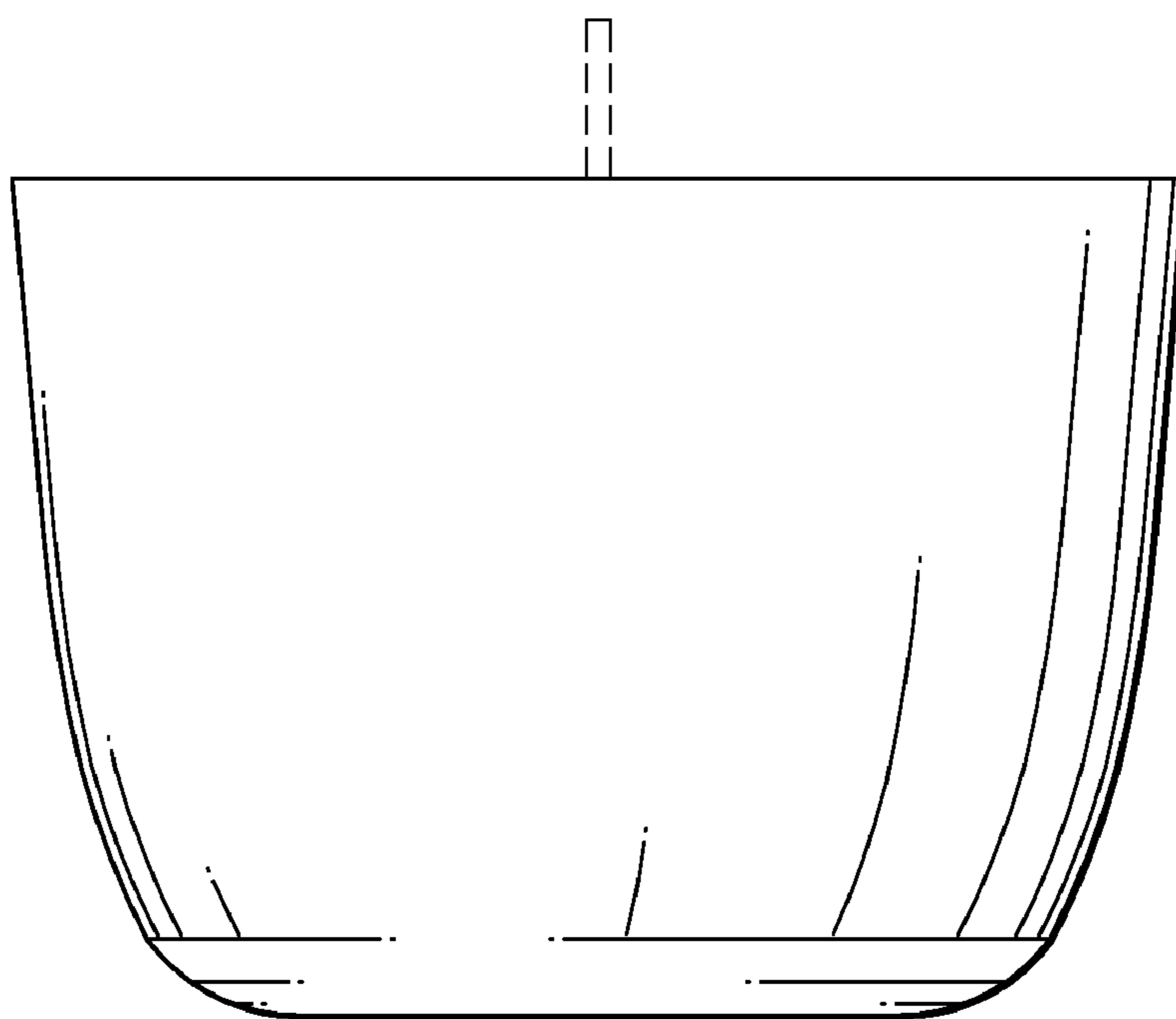


FIG. 17

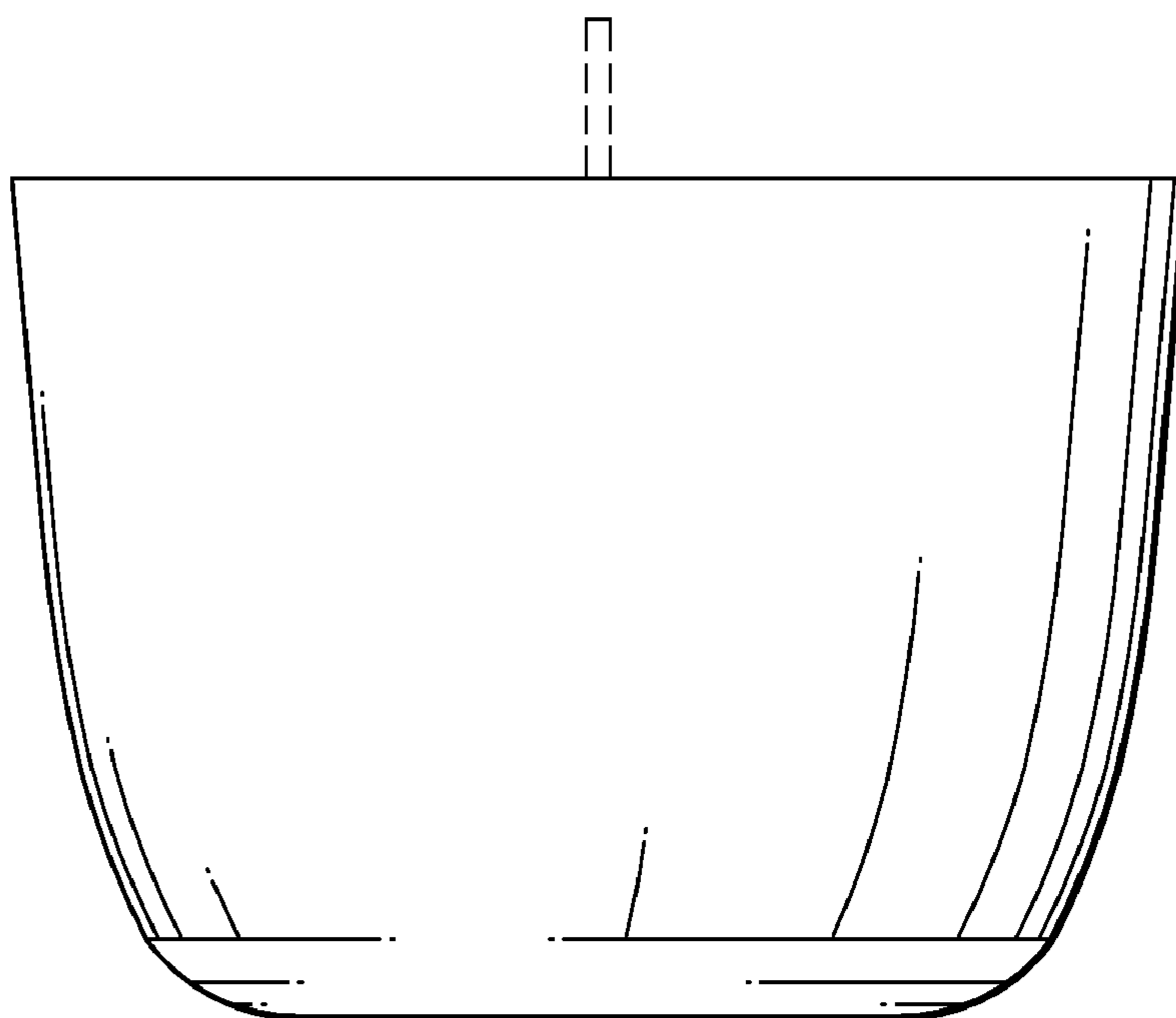


FIG. 18

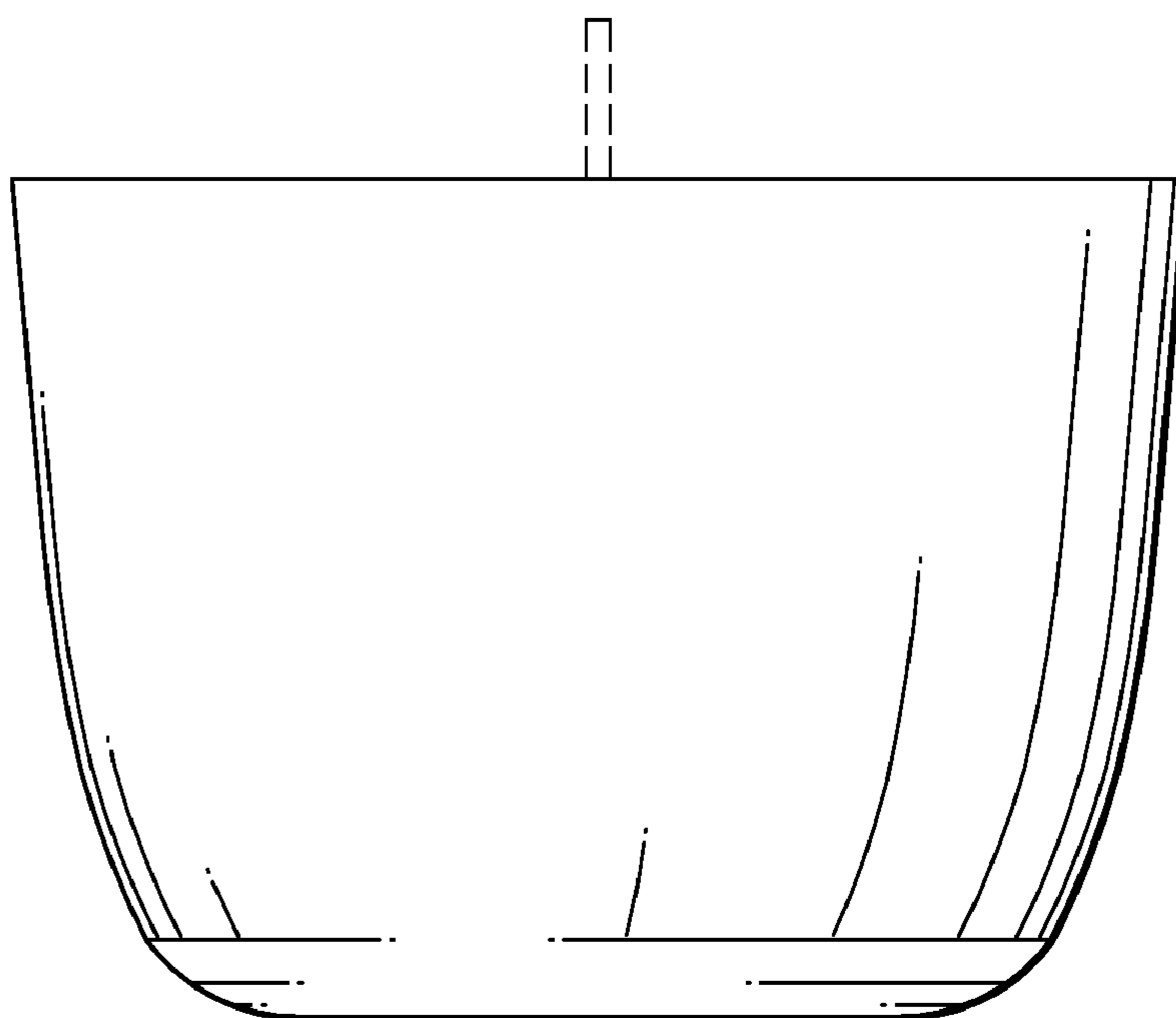


FIG. 19

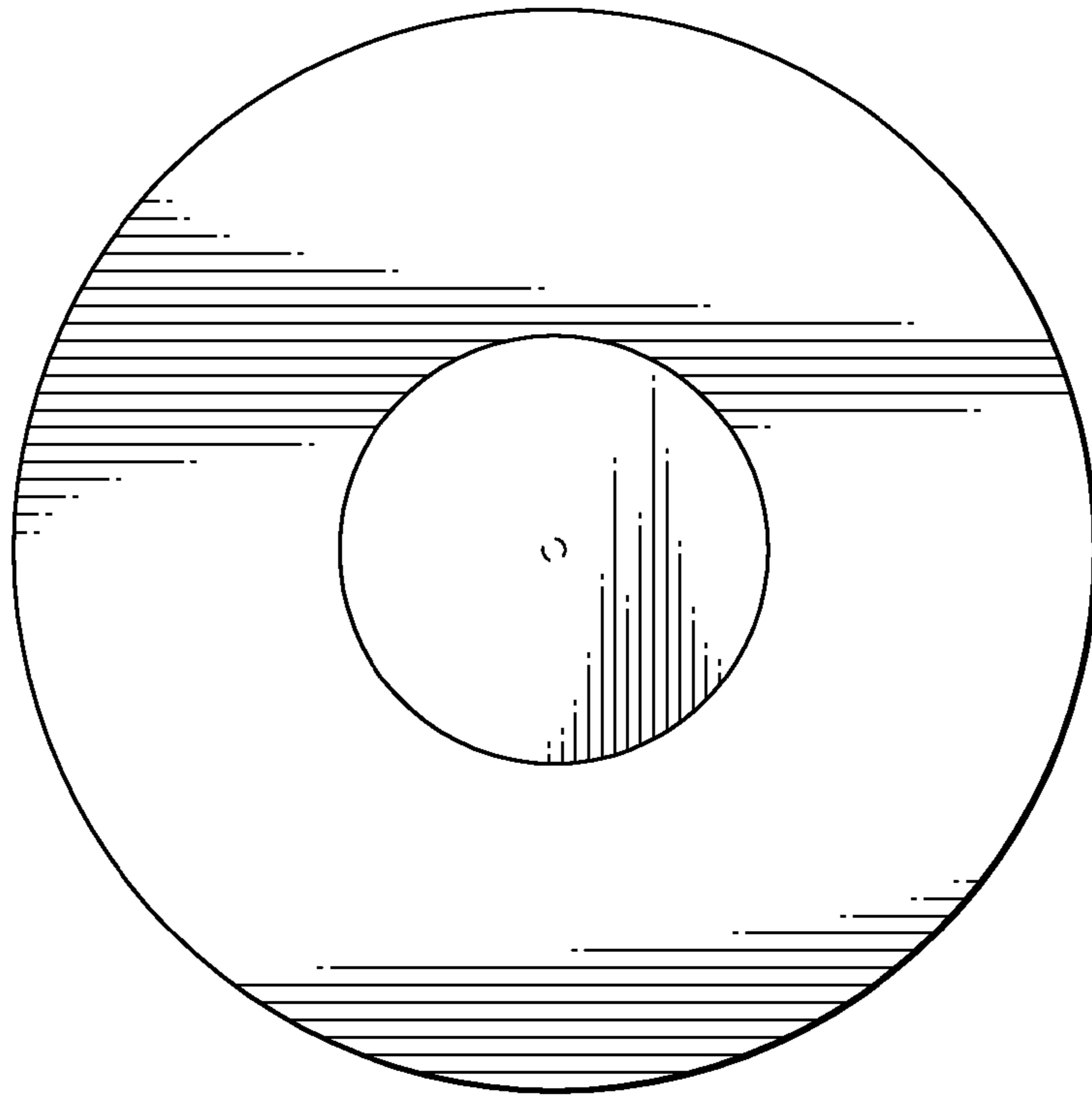


FIG. 20

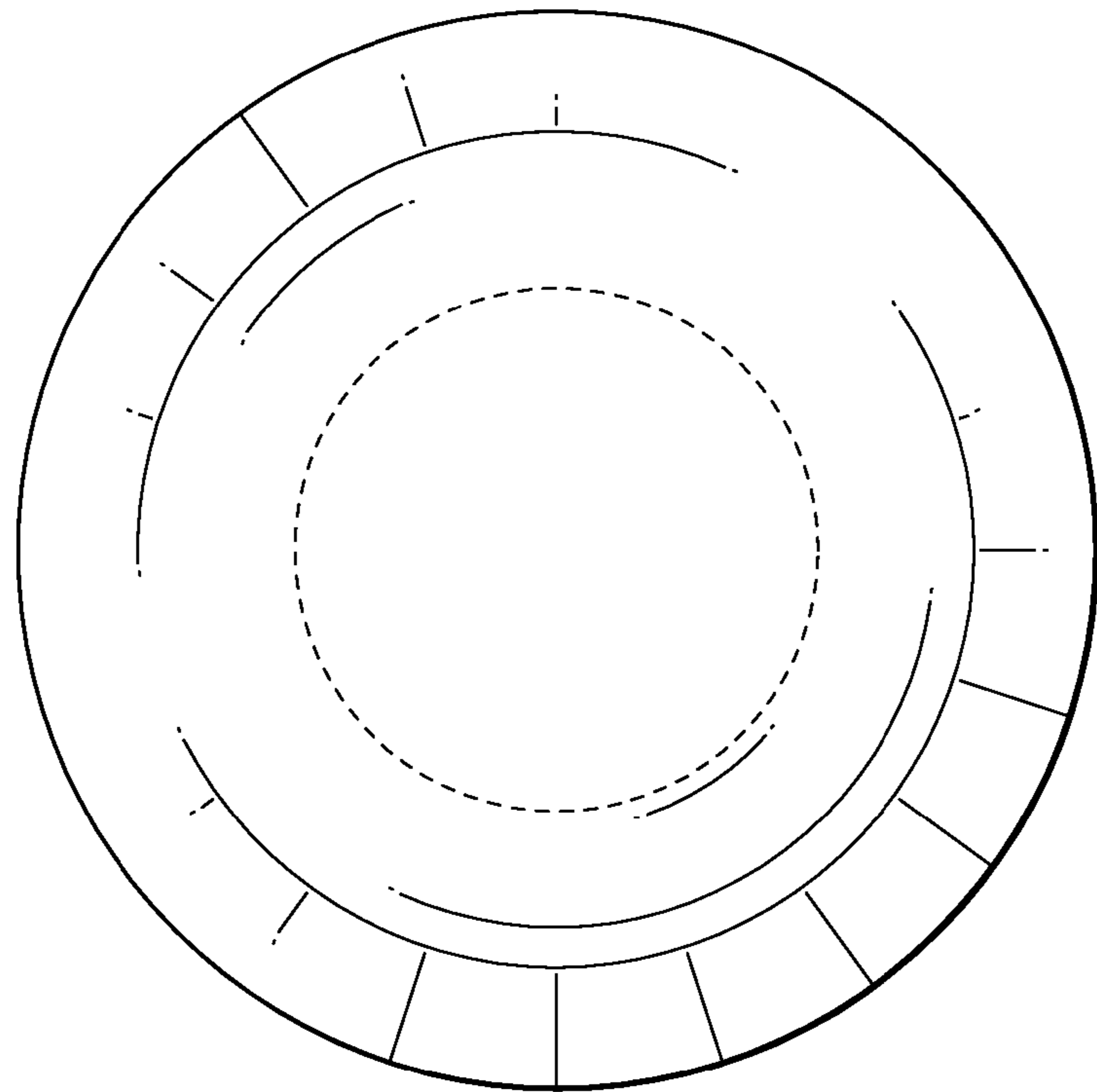


FIG. 21