



US00D637738S

(12) **United States Design Patent**  
**Reddick et al.**

(10) **Patent No.:** **US D637,738 S**

(45) **Date of Patent:** **\*\* May 10, 2011**

(54) **HUNTING BLIND**

(76) Inventors: **Stephen Michael Reddick**, Strattanville,  
PA (US); **Thomas Edward Reddick**,  
Butler, PA (US)

(\*\*) Term: **14 Years**

(21) Appl. No.: **29/341,192**

(22) Filed: **Jul. 31, 2009**

**Related U.S. Application Data**

(63) Continuation-in-part of application No. 11/523,154,  
filed on Sep. 19, 2006, now abandoned.

(51) **LOC (9) Cl.** ..... **25-03**

(52) **U.S. Cl.** ..... **D25/16**

(58) **Field of Classification Search** ..... D25/1,  
D25/16, 17, 18, 33; 52/79.1, 79.5; 135/95,  
135/143, 900, 901; 43/1; D21/507, 834;  
114/361; D2/741, 746

See application file for complete search history.

(56) **References Cited**

**U.S. PATENT DOCUMENTS**

586,145	A	7/1897	Sievers, Jr.	
2,501,517	A *	3/1950	Honald	43/1
2,992,503	A *	7/1961	Webb	43/1
3,052,054	A	9/1962	Littleton et al.	
3,545,461	A	12/1970	Carlson	
4,581,837	A	4/1986	Powlus	
4,829,694	A *	5/1989	Oasheim	43/1
5,075,999	A	12/1991	Fredericks	
5,197,216	A	3/1993	Norris	
D350,399	S *	9/1994	Bodrie	D25/16
5,345,961	A	9/1994	Yercha et al.	
5,675,926	A	10/1997	Manka	
5,678,346	A *	10/1997	Kellett	43/2

5,787,632	A	8/1998	Kraut	
5,903,997	A	5/1999	Jacob	
6,202,665	B1 *	3/2001	O'Hare	135/90
6,296,005	B1	10/2001	Williams et al.	
6,296,297	B1	10/2001	Barrow et al.	
6,415,807	B1	7/2002	Maher	
6,553,708	B1 *	4/2003	Wolfe	43/2
6,735,781	B1 *	5/2004	Fulmer	2/94
6,925,745	B1	8/2005	Alessi	
7,040,333	B1	5/2006	Ransom et al.	
7,086,193	B1 *	8/2006	Hurst	43/2
7,124,532	B1 *	10/2006	Ellis	43/2
7,389,606	B2 *	6/2008	McLeod	43/2
2003/0046855	A1	3/2003	Bergdall	
2003/0079397	A1	5/2003	Brint	
2005/0028854	A1	2/2005	Erickson et al.	
2008/0263929	A1 *	10/2008	Fiore et al.	43/1

\* cited by examiner

*Primary Examiner* — T. Chase Nelson

*Assistant Examiner* — Kathleen M Sims

(74) *Attorney, Agent, or Firm* — The Webb Law Firm

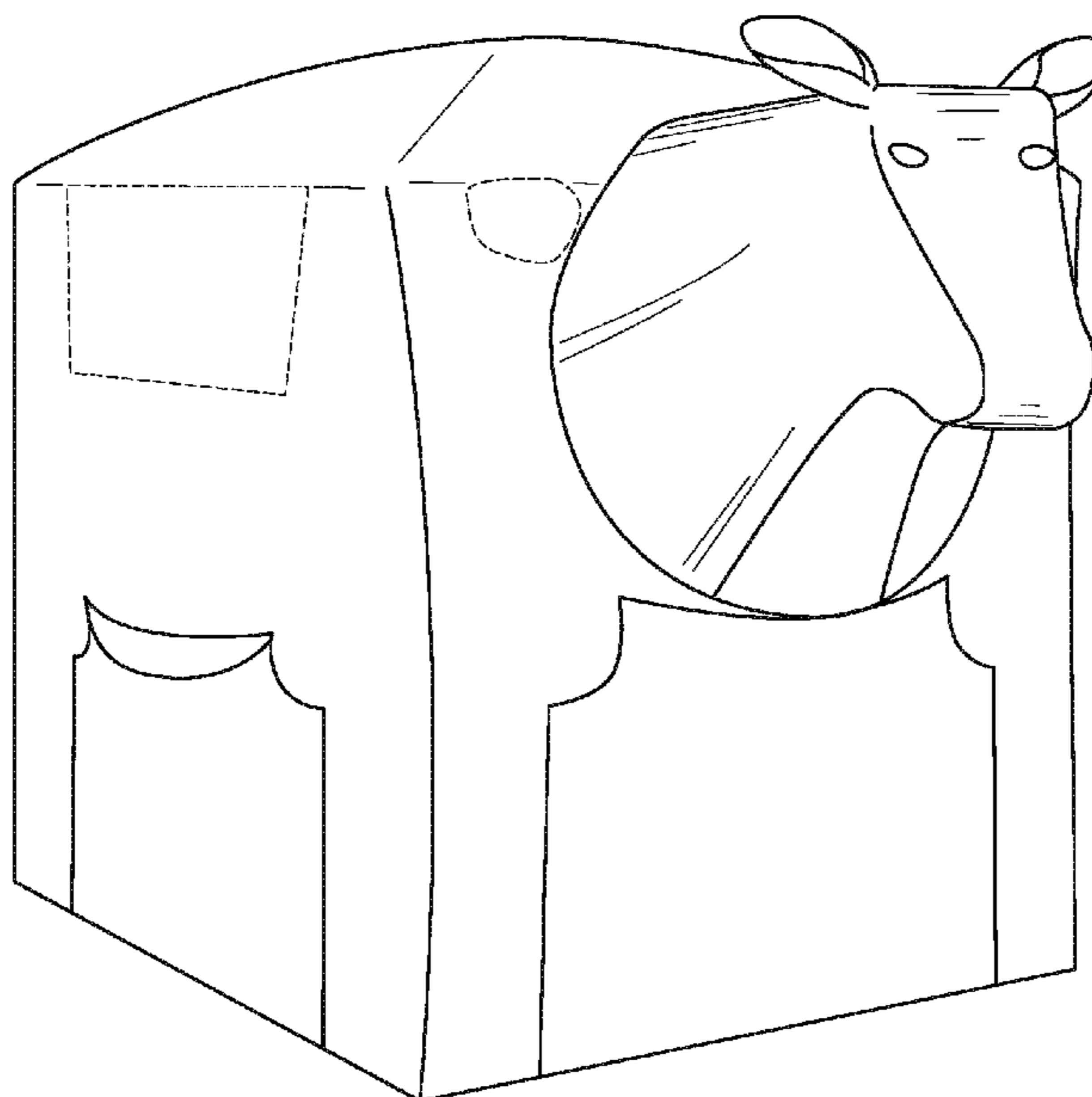
(57) **CLAIM**

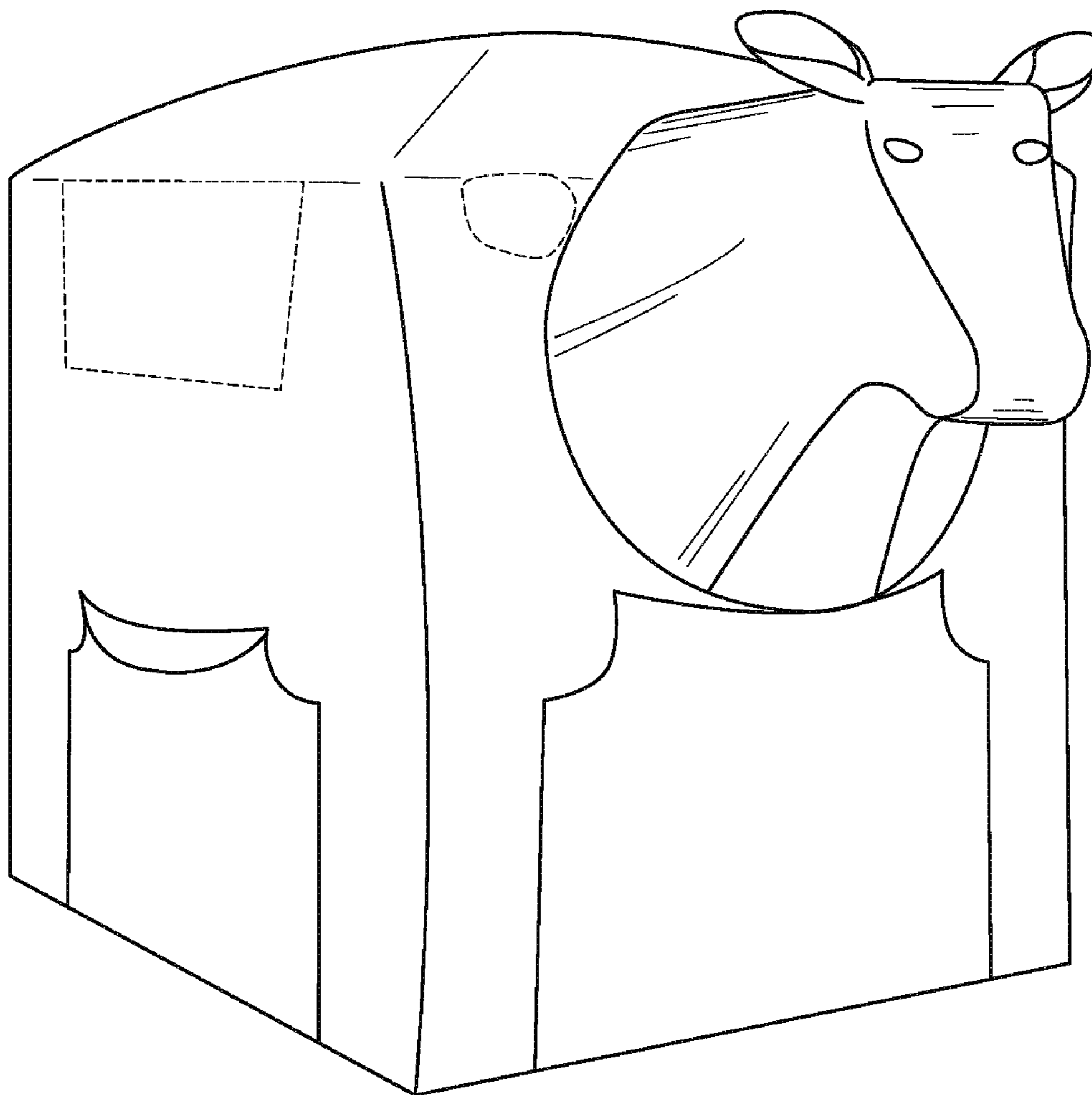
The ornamental design for a hunting blind, as shown and described.

**DESCRIPTION**

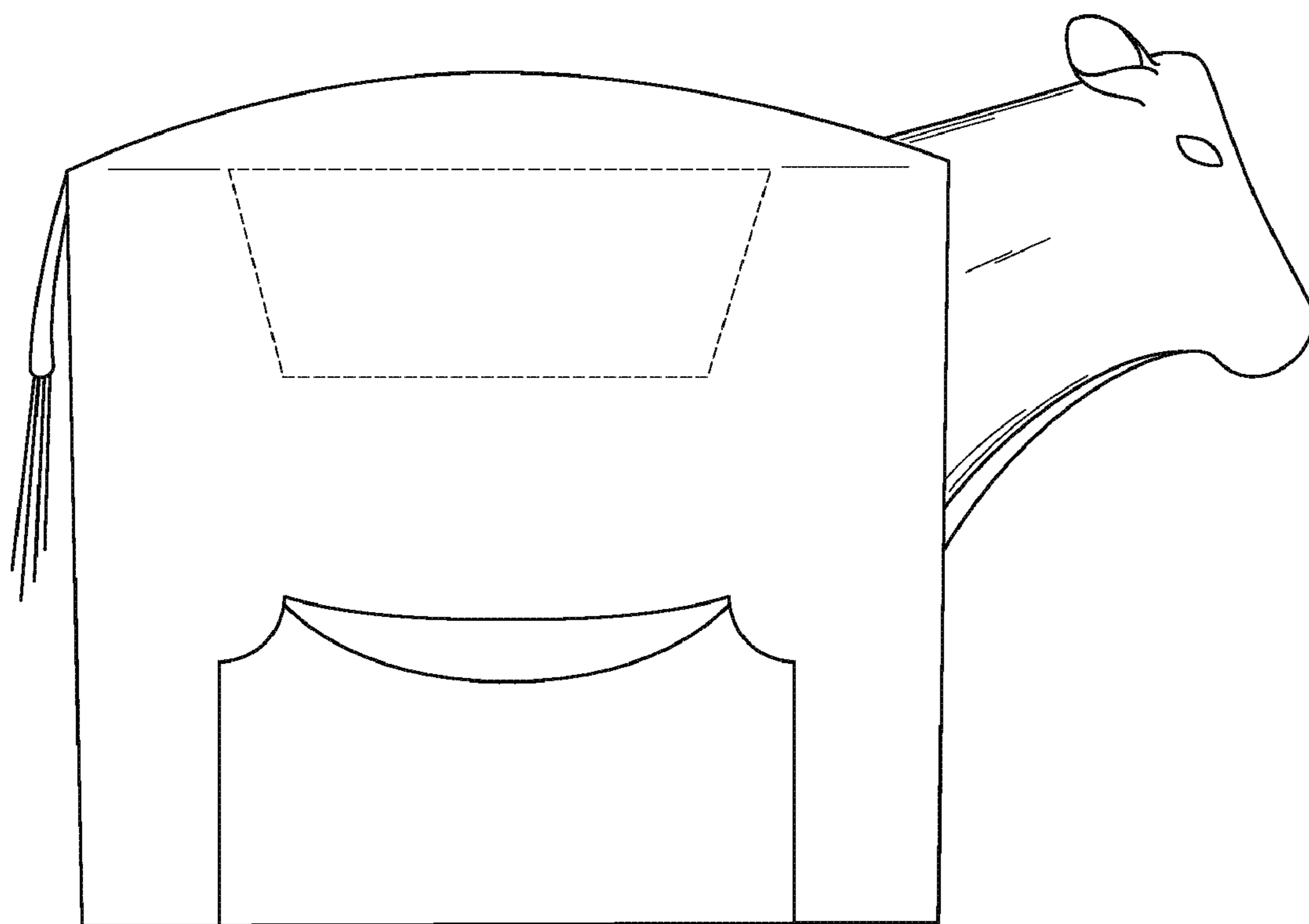
FIG. 1 is a front perspective view of a hunting blind showing our new design;  
FIG. 2 is a left side view thereof;  
FIG. 3 is a right side view thereof;  
FIG. 4 is a front view thereof;  
FIG. 5 is a rear view thereof; and,  
FIG. 6 is a rear perspective view thereof.  
The features of the hunting blind shown in broken lines form no part of the claimed design.

**1 Claim, 6 Drawing Sheets**

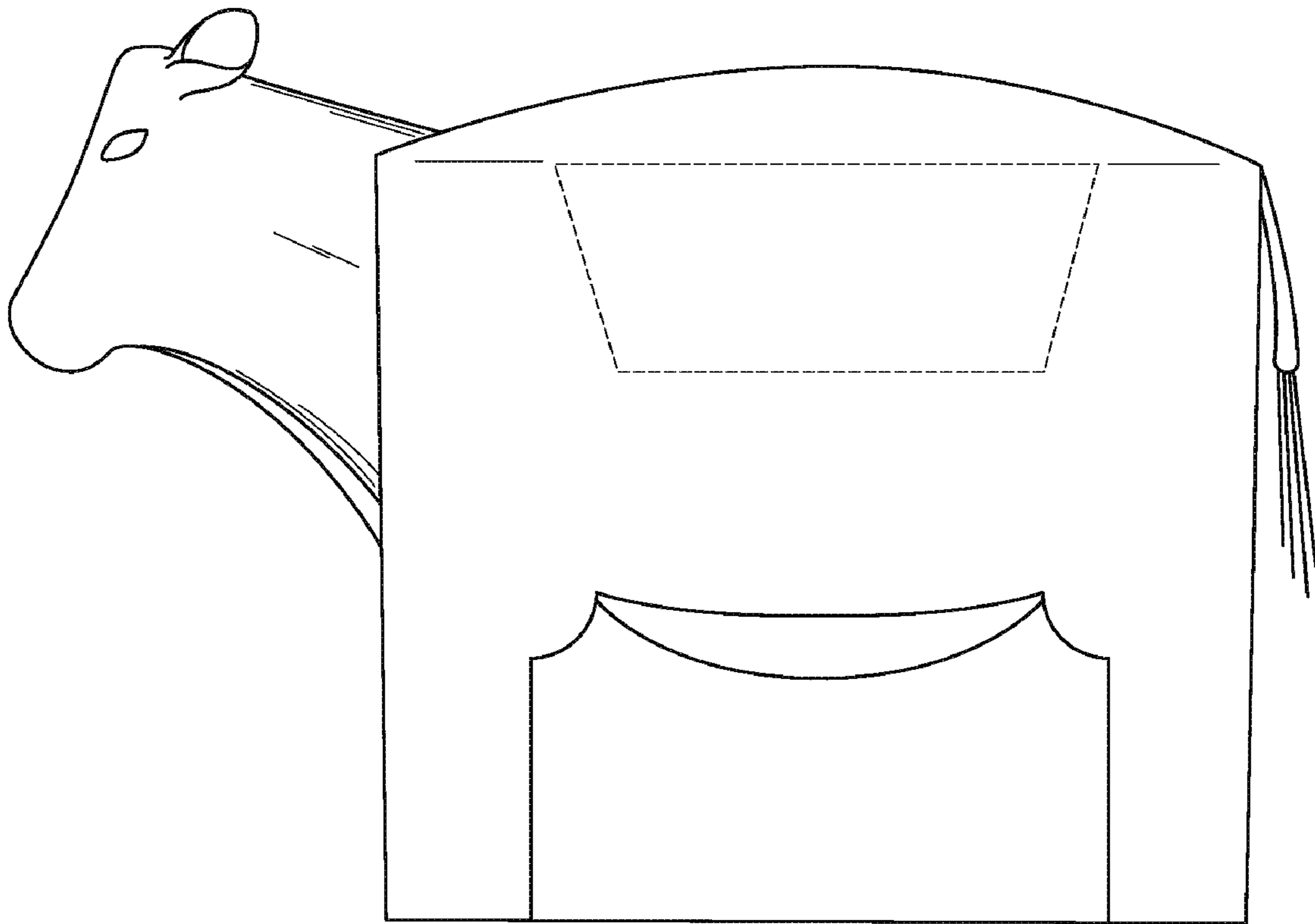




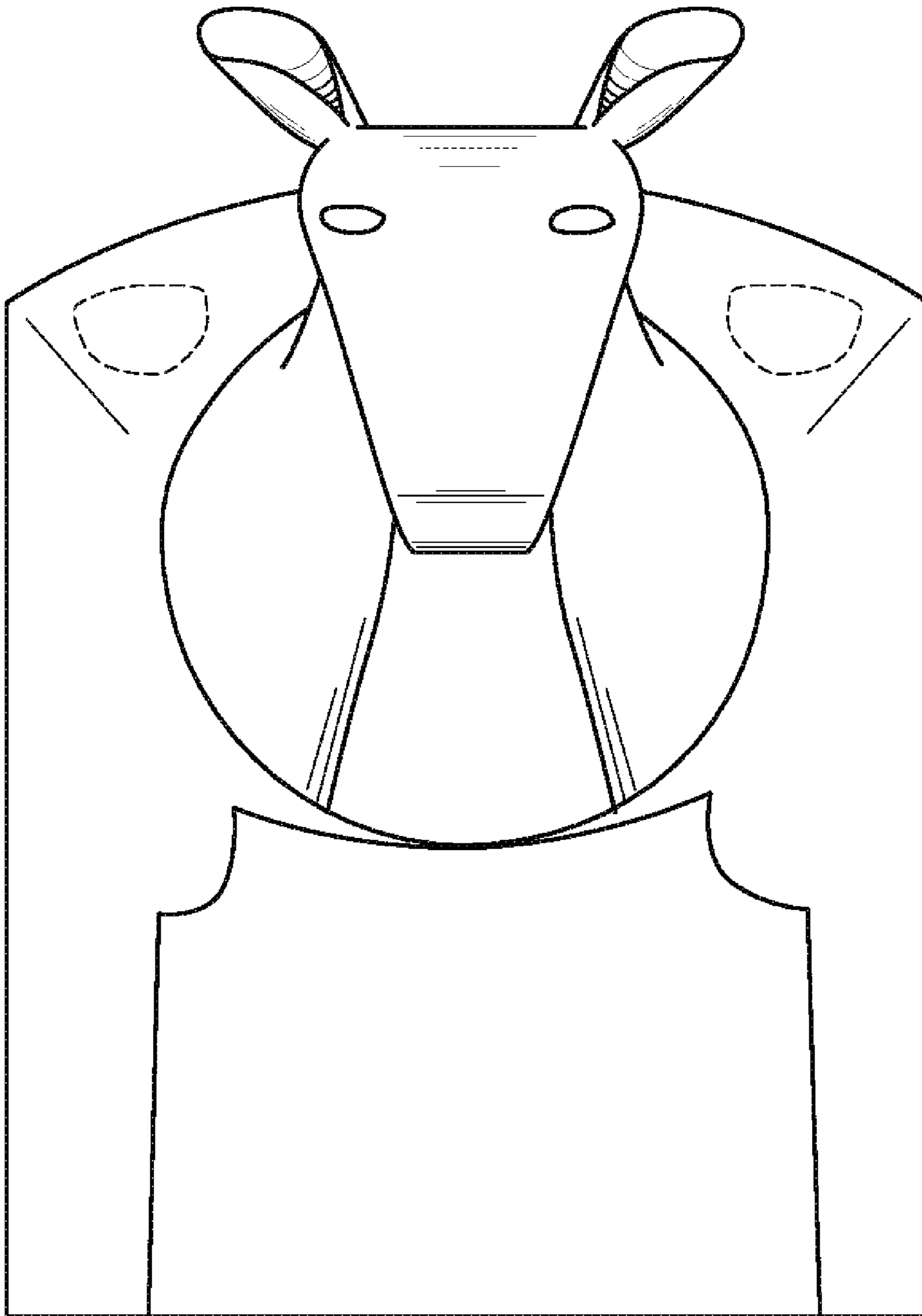
**FIG. 1**



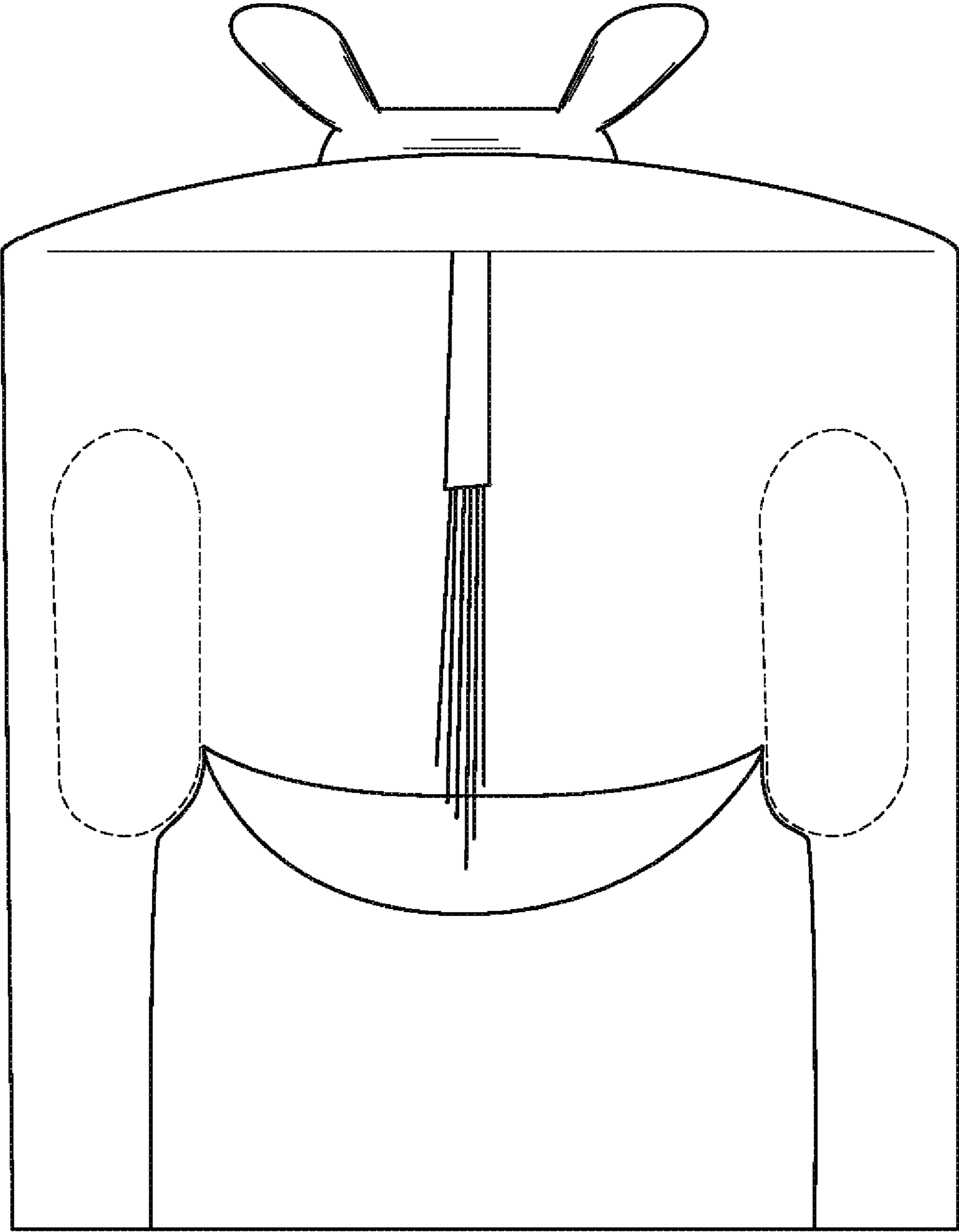
**FIG. 2**



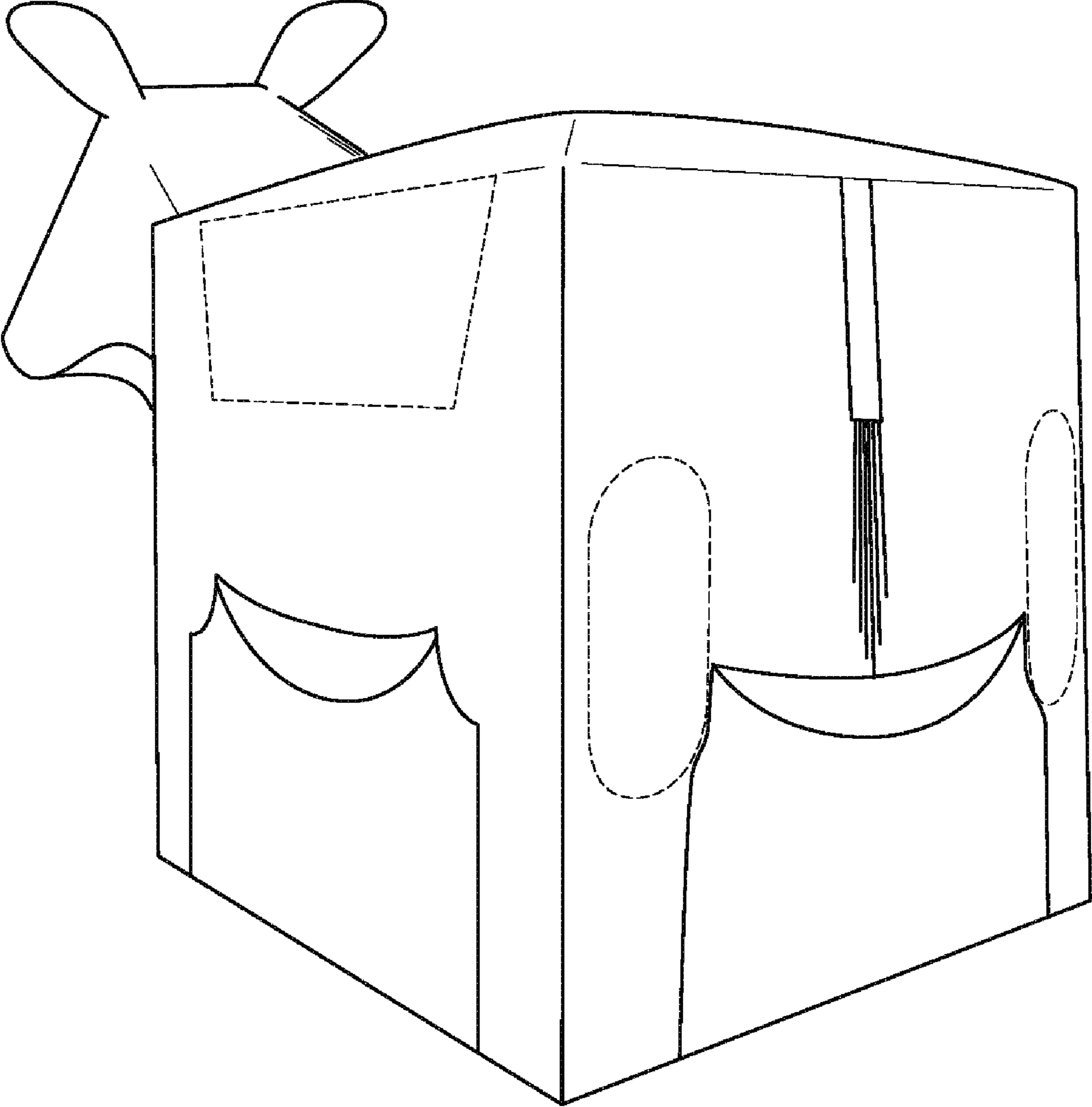
**FIG. 3**



**FIG. 4**



**FIG. 5**



**FIG. 6**