



US00D637737S

(12) **United States Design Patent**
Wilson et al.

(10) **Patent No.:** **US D637,737 S**

(45) **Date of Patent:** **** May 10, 2011**

(54) **REAGENT HOLDER**

(75) Inventors: **Kerry Wilson**, Elkhart, IN (US); **Kalyan Handique**, Ypsilant, MI (US); **Jeff Williams**, Chelsea, MI (US); **Sundaresh N. Brahmasandra**, Ann Arbor, MI (US)

(73) Assignee: **Handylab, Inc.**, Ann Arbor, MI (US)

(**) Term: **14 Years**

(21) Appl. No.: **29/363,666**

(22) Filed: **Jun. 11, 2010**

Related U.S. Application Data

(62) Division of application No. 29/321,200, filed on Jul. 11, 2008, now Pat. No. Des. 618,820.

(51) **LOC (9) Cl.** **24-02**

(52) **U.S. Cl.** **D24/230**

(58) **Field of Classification Search** D24/216,
D24/224, 227-232; 422/63-64, 99-104,
422/266, 297, 300; 211/74, 71.01, 85.13;
217/58; D3/294, 295; 206/443, 563
See application file for complete search history.

(56) **References Cited**

U.S. PATENT DOCUMENTS

D249,706	S *	9/1978	Adamski	D24/230
4,720,374	A *	1/1988	Ramachandran	422/102
D333,522	S *	2/1993	Gianino	D24/229
5,186,339	A *	2/1993	Heissler	422/104
D382,346	S *	8/1997	Buhler et al.	D24/230
D413,391	S *	8/1999	Lapeus et al.	D24/227
D413,677	S *	9/1999	Dumitrescu et al.	D24/229
D417,009	S *	11/1999	Boyd	D24/227
D420,747	S *	2/2000	Dumitrescu et al.	D24/227
D421,130	S *	2/2000	Cohen et al.	D24/229
6,063,341	A *	5/2000	Fassbind et al.	422/104
D428,497	S *	7/2000	Lapeus et al.	D24/227
6,123,205	A *	9/2000	Dumitrescu et al.	211/74
D433,759	S *	11/2000	Mathis et al.	D24/227

6,517,783	B2 *	2/2003	Horner et al.	422/102
6,602,474	B1 *	8/2003	Tajima	422/102
D484,989	S *	1/2004	Gebrian	D24/230
D534,280	S *	12/2006	Gomm et al.	D24/224
D595,423	S *	6/2009	Johansson et al.	D24/229
D596,312	S *	7/2009	Giraud et al.	D24/230
D598,566	S *	8/2009	Allaer	D24/230
2002/0021983	A1 *	2/2002	Comte et al.	422/65
2009/0129978	A1 *	5/2009	Wilson et al.	422/102

* cited by examiner

Primary Examiner — T. Chase Nelson

Assistant Examiner — Mark Cavanna

(74) *Attorney, Agent, or Firm* — Knobbe, Martens, Olson & Bear, LLP

(57) **CLAIM**

The ornamental design for a reagent holder, substantially as shown and described.

DESCRIPTION

FIG. 1 is a perspective view of a reagent holder showing our new design;

FIG. 2 is a first side plan view thereof;

FIG. 3 is a second side plan view thereof with the second side plan view being a mirror image of the first side plan view shown in FIG. 2;

FIG. 4 is a first end view thereof;

FIG. 5 is a second end view thereof;

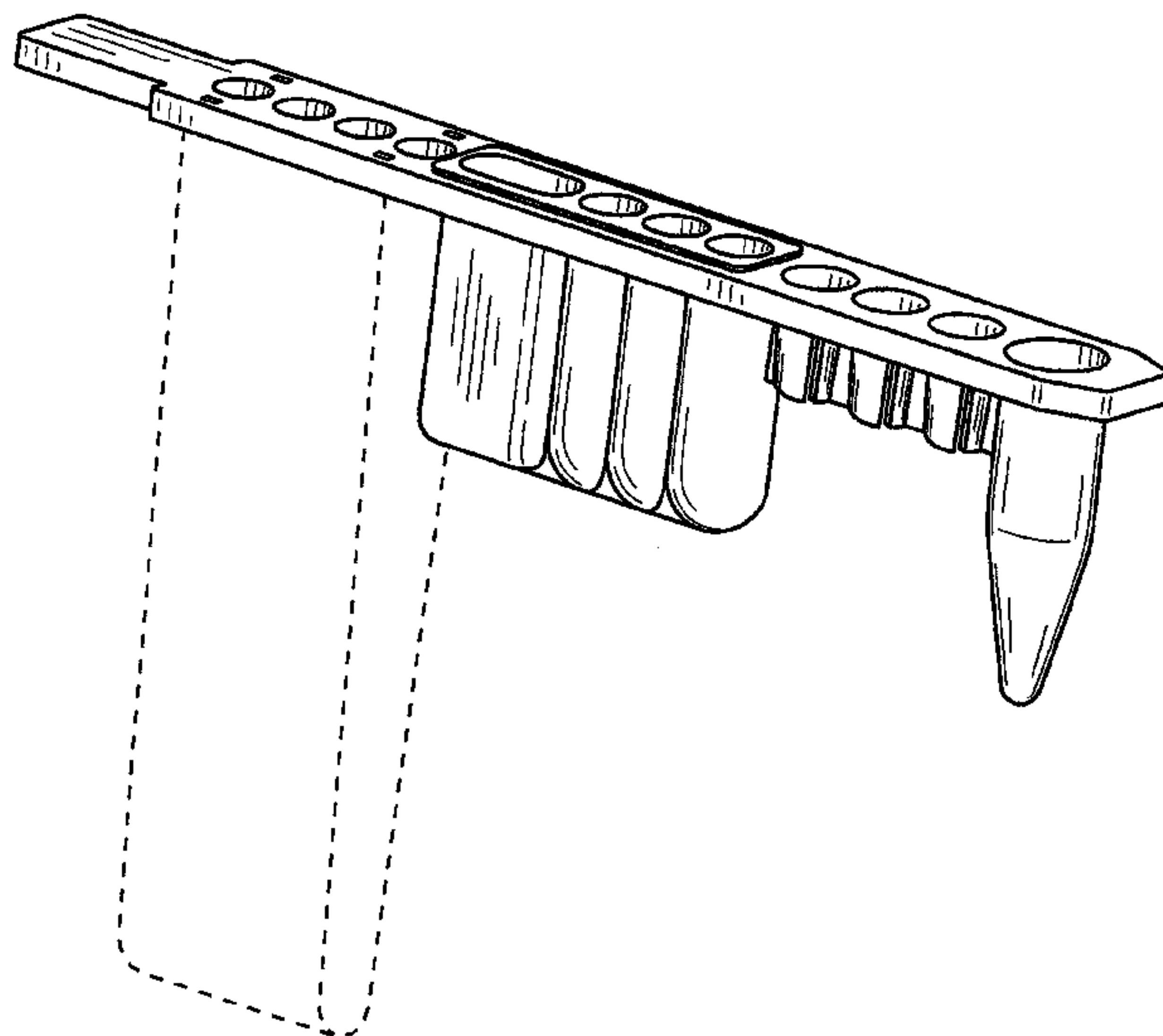
FIG. 6 is a top plan thereof; and,

FIG. 7 is a bottom plan view thereof.

The broken lines where present in FIGS. 1 through 7 are for illustrative purposes only and identify portions of the reagent holder that form no part of the claimed design.

In particular, in the bottom plan view (FIG. 7) the broken lines are intended to show that features extending from the inside edge of the outer perimeter of the underside of the planar portion of the reagent holder, up to the outside edges of the receptacles that hang from the underside of the planar portion, form no part of the claimed design.

1 Claim, 3 Drawing Sheets



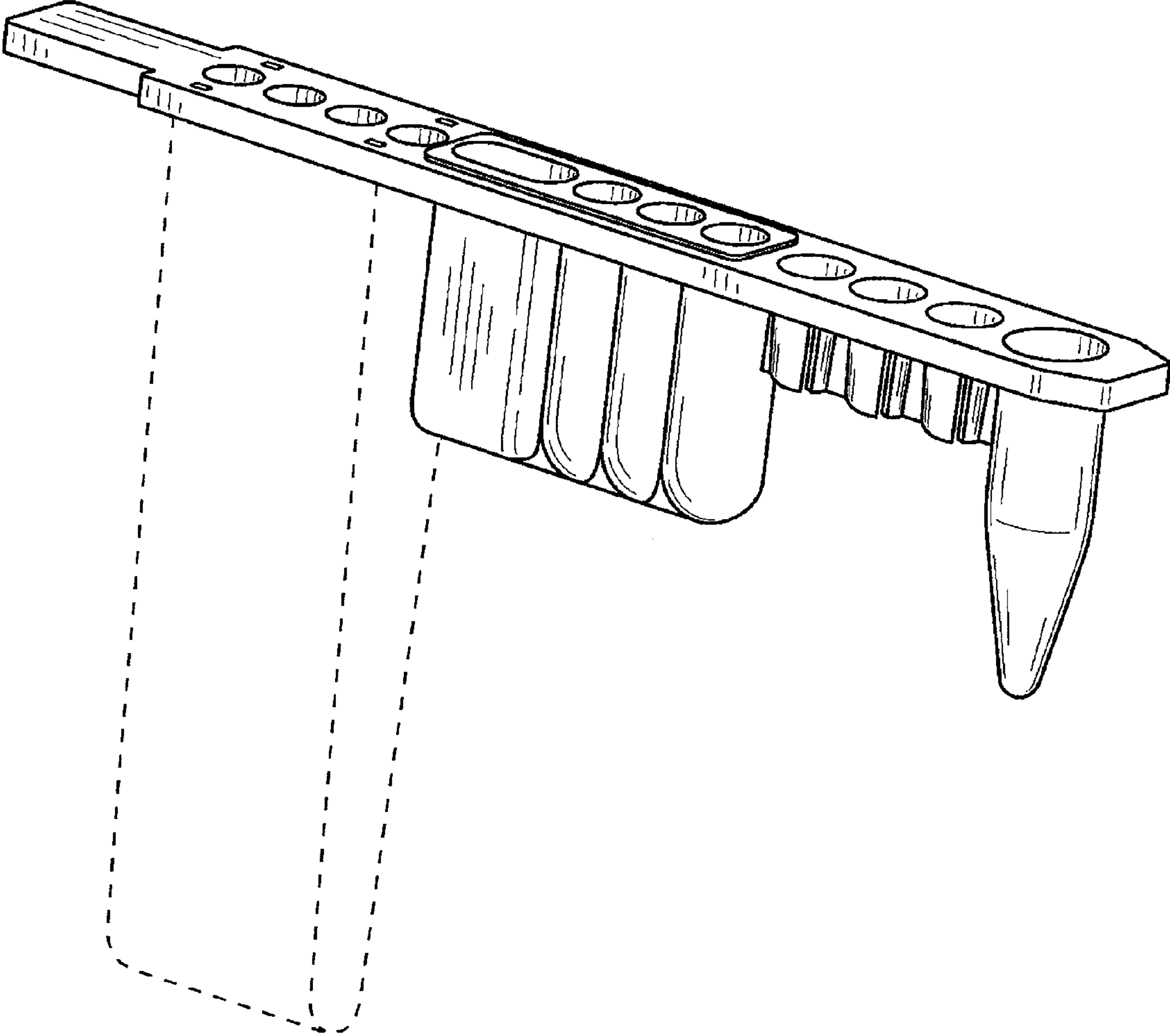


FIG. 1

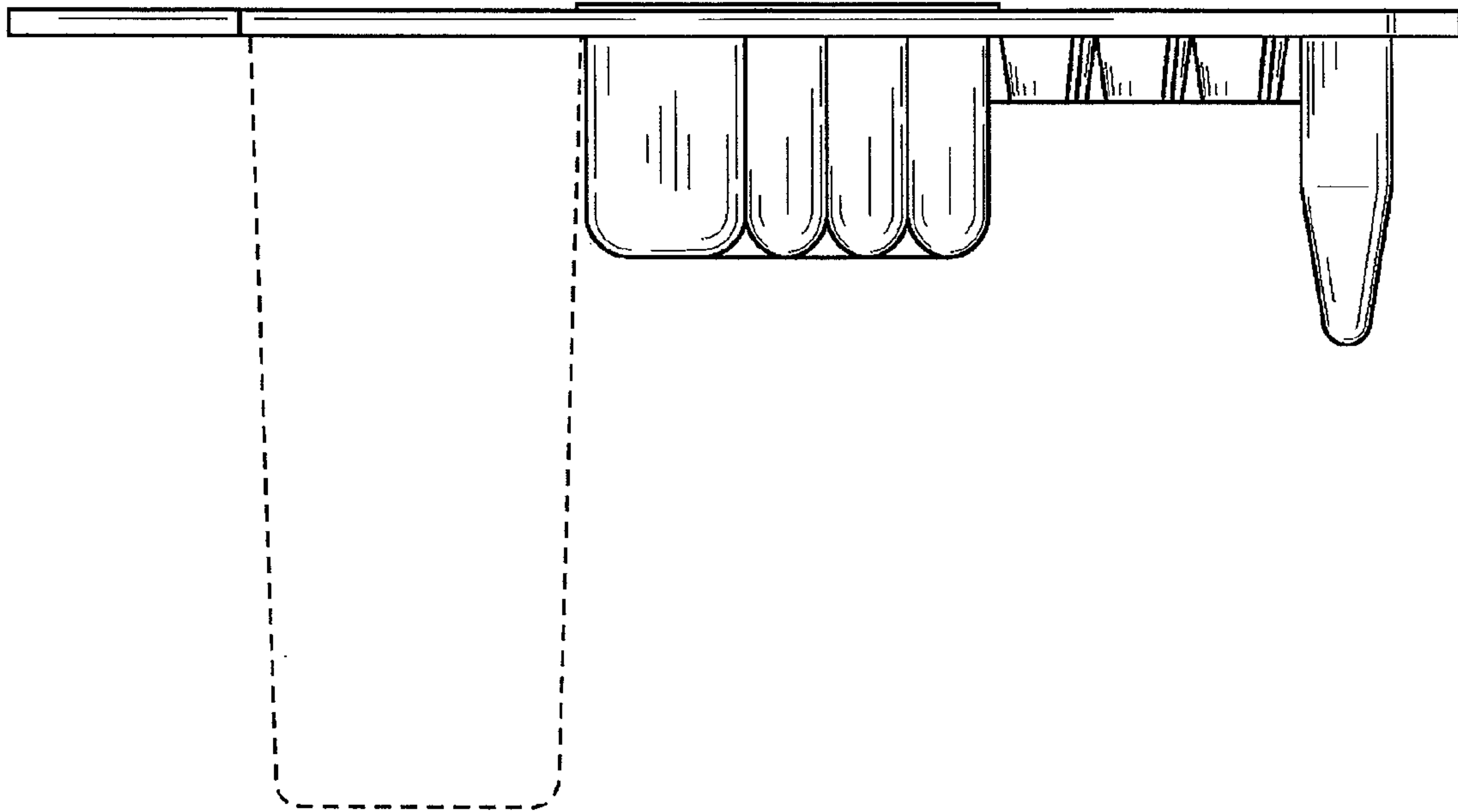


FIG. 2

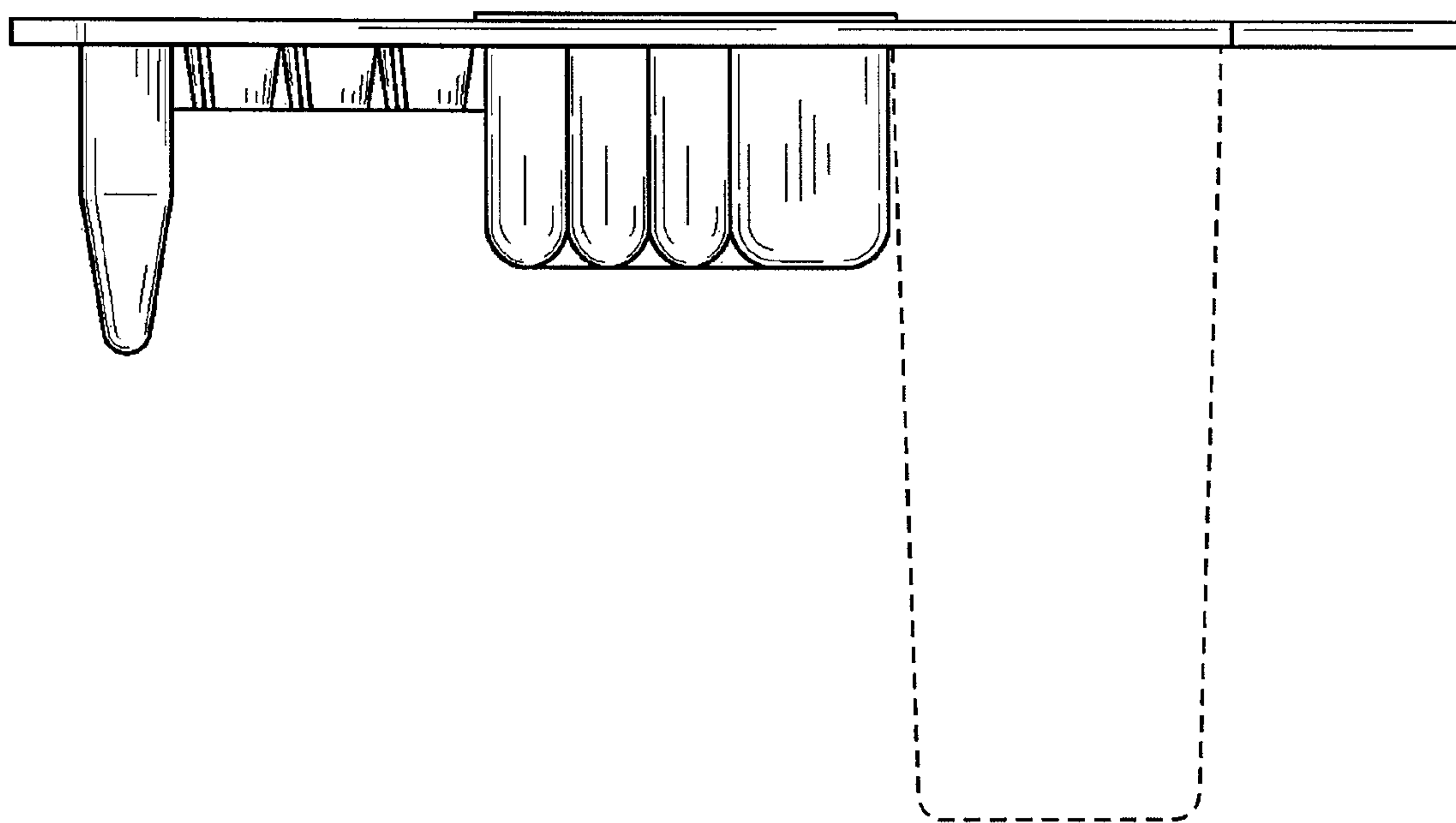


FIG. 3

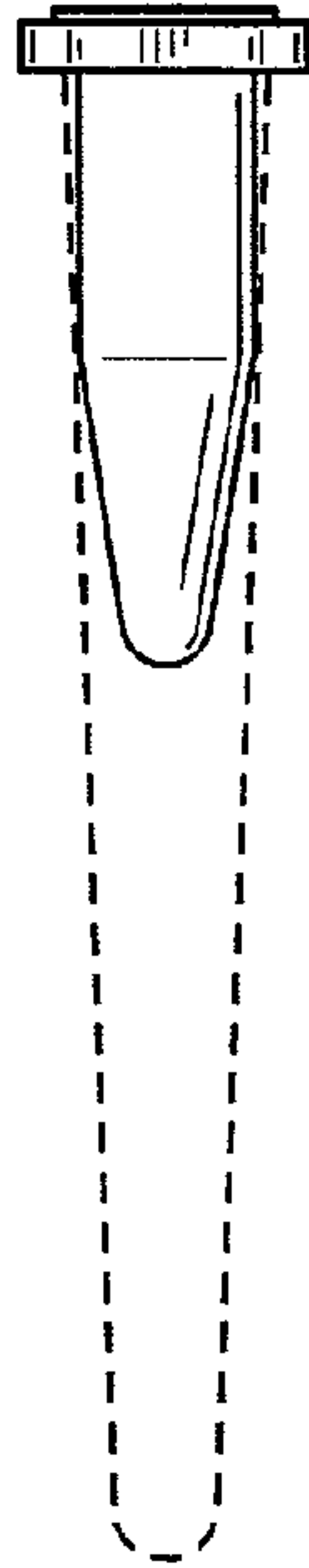


FIG. 4

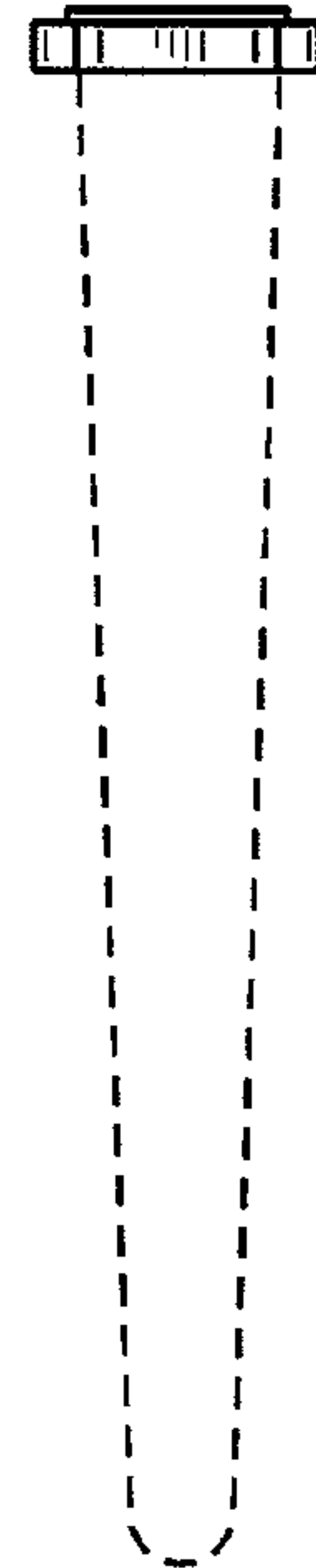


FIG. 5

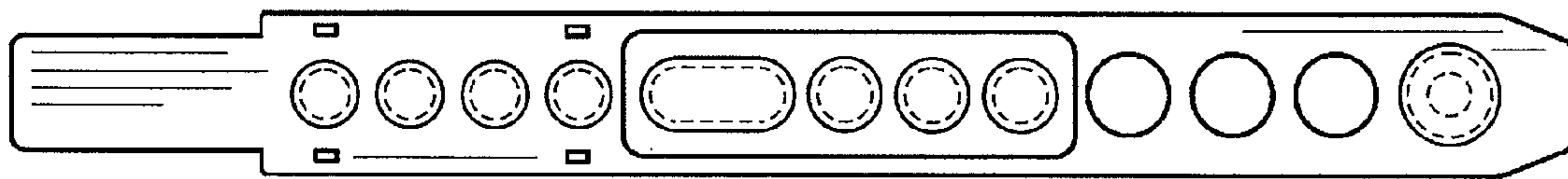


FIG. 6

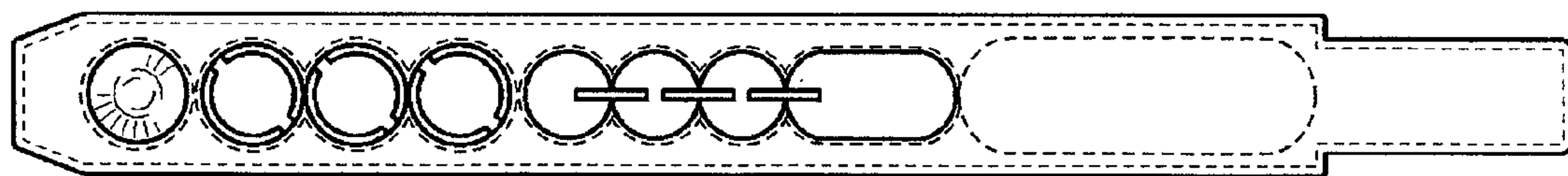


FIG. 7