



US00D637734S

(12) **United States Design Patent**
Madry et al.

(10) **Patent No.:** **US D637,734 S**

(45) **Date of Patent:** **** May 10, 2011**

- (54) **DENTAL PASTE CUP HOLDER**
- (75) Inventors: **Roger Madry**, Troy, MO (US); **Jeanette Gail Vargo**, Wentzville, MO (US)
- (73) Assignee: **Young Dental Manufacturing Company 1, LLC**, East City, MO (US)

5,996,864 A	12/1999	Birglechner	
6,257,888 B1	7/2001	Barham	
D463,219 S *	9/2002	Tsai	D7/620
D496,494 S *	9/2004	Hood	D28/67
D499,591 S *	12/2004	Hernandez et al.	D6/531
D578,025 S *	10/2008	Dunlap	D6/528
D583,175 S *	12/2008	Perry	D6/530
D618,727 S *	6/2010	Malen	D19/62
D620,734 S *	8/2010	Leffall	D6/535

(**) Term: **14 Years**

* cited by examiner

(21) Appl. No.: **29/376,887**

Primary Examiner — T. Chase Nelson

(22) Filed: **Oct. 13, 2010**

Assistant Examiner — Mark Cavanna

(51) **LOC (9) Cl.** **24-01**

(74) *Attorney, Agent, or Firm* — McDermott Will & Emery LLP

(52) **U.S. Cl.** **D24/227; D6/530**

(58) **Field of Classification Search** D24/176,
D24/127, 128, 156, 188, 224, 227–232; 422/99,
422/102, 104; 433/77; 220/738; D6/527,
D6/528, 530, 531, 534–535; D7/620, 623;
D19/62; D28/67

(57) **CLAIM**

We claim the ornamental design for a dental paste cup holder, as shown and described.

See application file for complete search history.

DESCRIPTION

(56) **References Cited**

U.S. PATENT DOCUMENTS

D185,776 S *	7/1959	Galogly	D6/528
D254,224 S *	2/1980	Papas	D6/534
D270,407 S *	9/1983	Ochwat	D6/528
D276,272 S *	11/1984	Weissenburger	D24/176
D277,781 S *	2/1985	Weissenburger	D24/176
D285,274 S *	8/1986	DeMars	D7/623
D290,671 S *	7/1987	Siegel	D6/527
4,791,030 A *	12/1988	DeMars	220/738
4,988,296 A	1/1991	Spencer	
5,048,731 A	9/1991	Moreschini	
D345,824 S *	4/1994	Fitz	D6/528
D357,151 S *	4/1995	Santapa	D6/531
D366,794 S *	2/1996	Lee	D6/528
D369,932 S *	5/1996	Petronio	D6/534
5,638,840 A *	6/1997	Lee et al.	D6/531
D390,055 S *	2/1998	Abrigo	D6/528
D405,996 S *	2/1999	Mickler et al.	D6/530

FIG. 1 is a perspective view of a dental paste cup holder according to the new design;
 FIG. 2 is a front view of the dental paste cup holder shown in FIG. 1;
 FIG. 3 is a back view of the dental paste cup holder shown in FIG. 1;
 FIG. 4 is a first side view of the dental paste cup holder shown in FIG. 1;
 FIG. 5 is a second side view of the dental paste cup holder shown in FIG. 1;
 FIG. 6 is a top view of the dental paste cup holder shown in FIG. 1; and,
 FIG. 7 is a bottom view of the dental paste cup holder shown in FIG. 1.

The broken lines are included for the purpose of illustrating portions of the dental paste cup holder that forms no part of the claimed design.

1 Claim, 3 Drawing Sheets

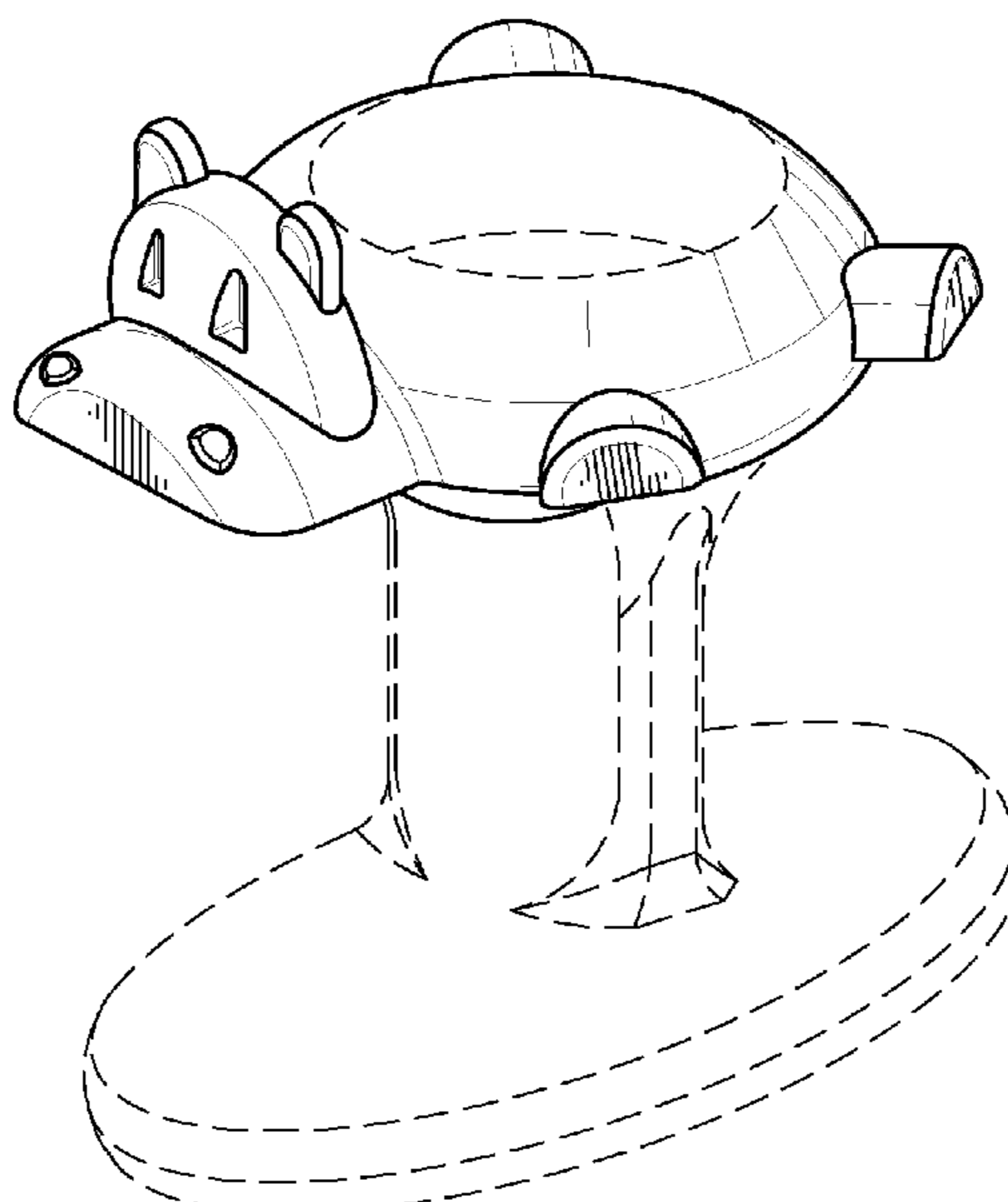


FIG. 1

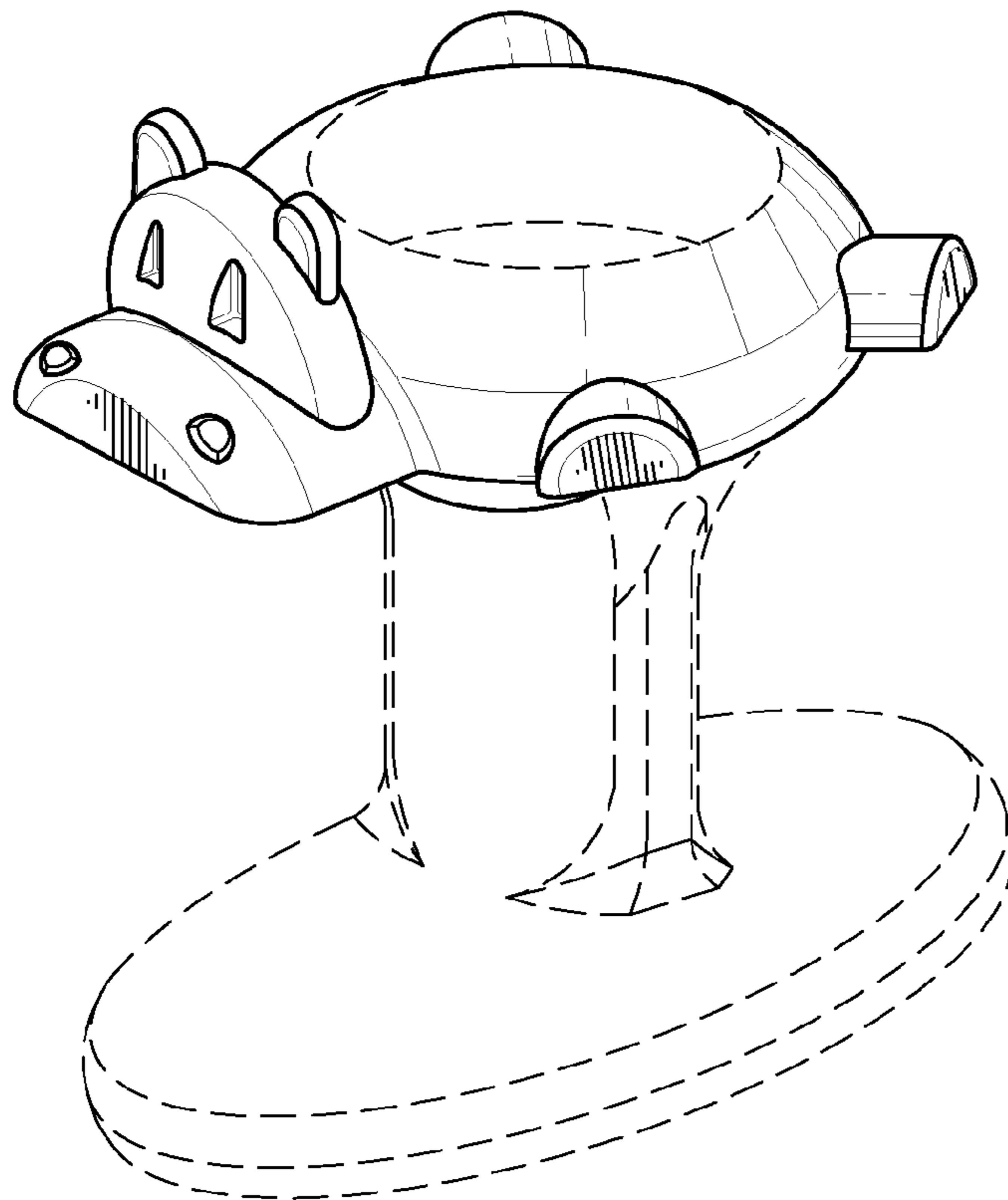


FIG. 2

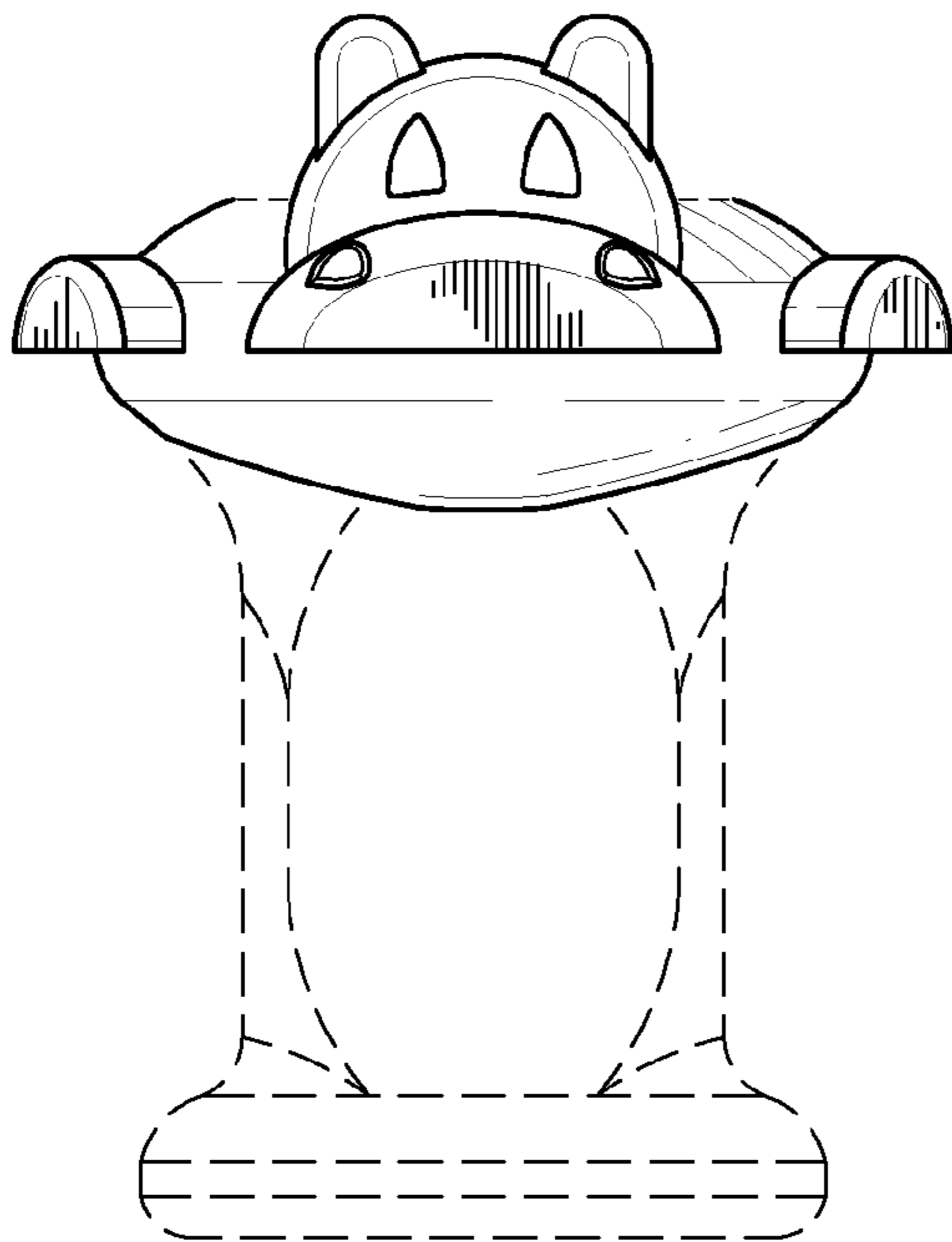


FIG. 3

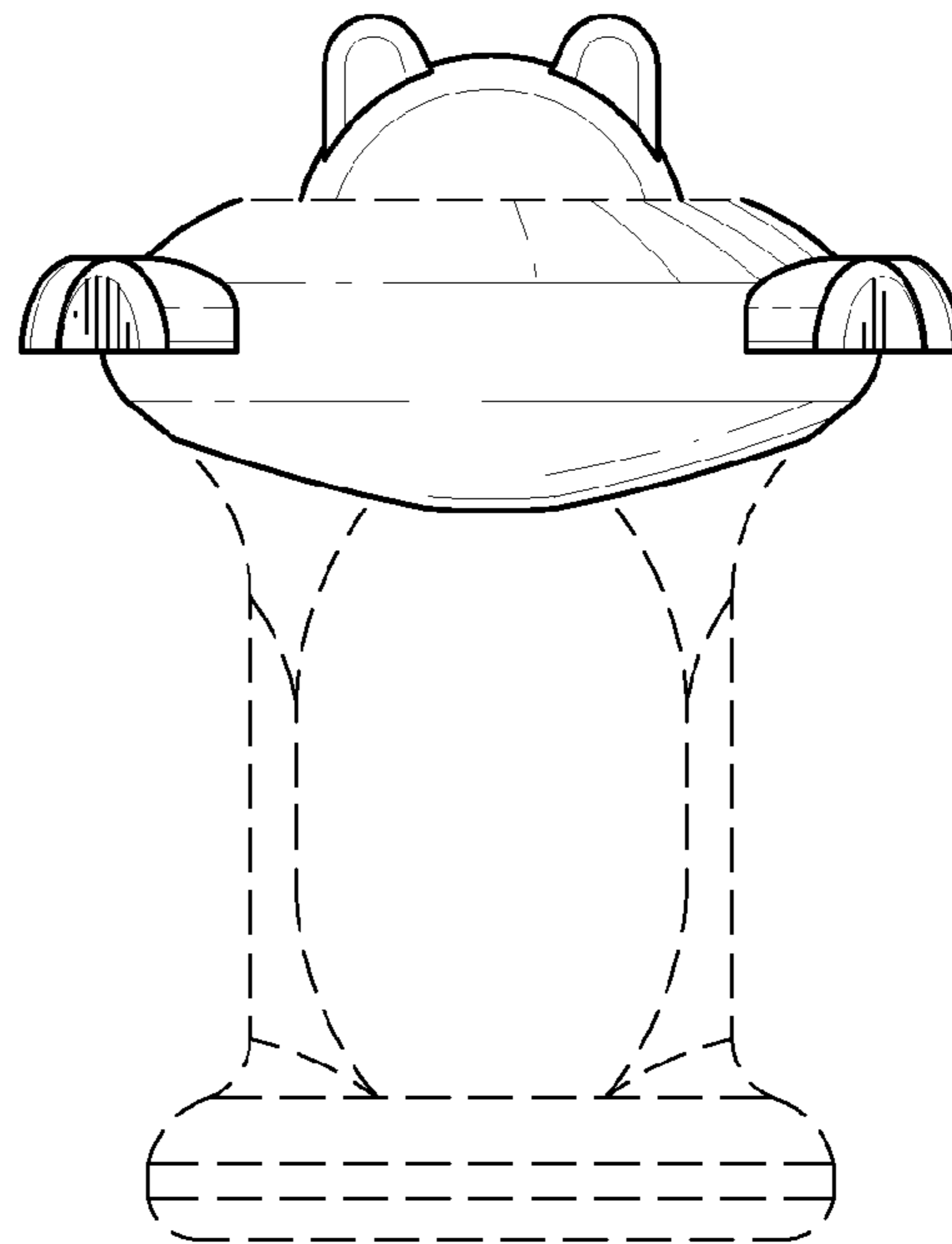


FIG. 4

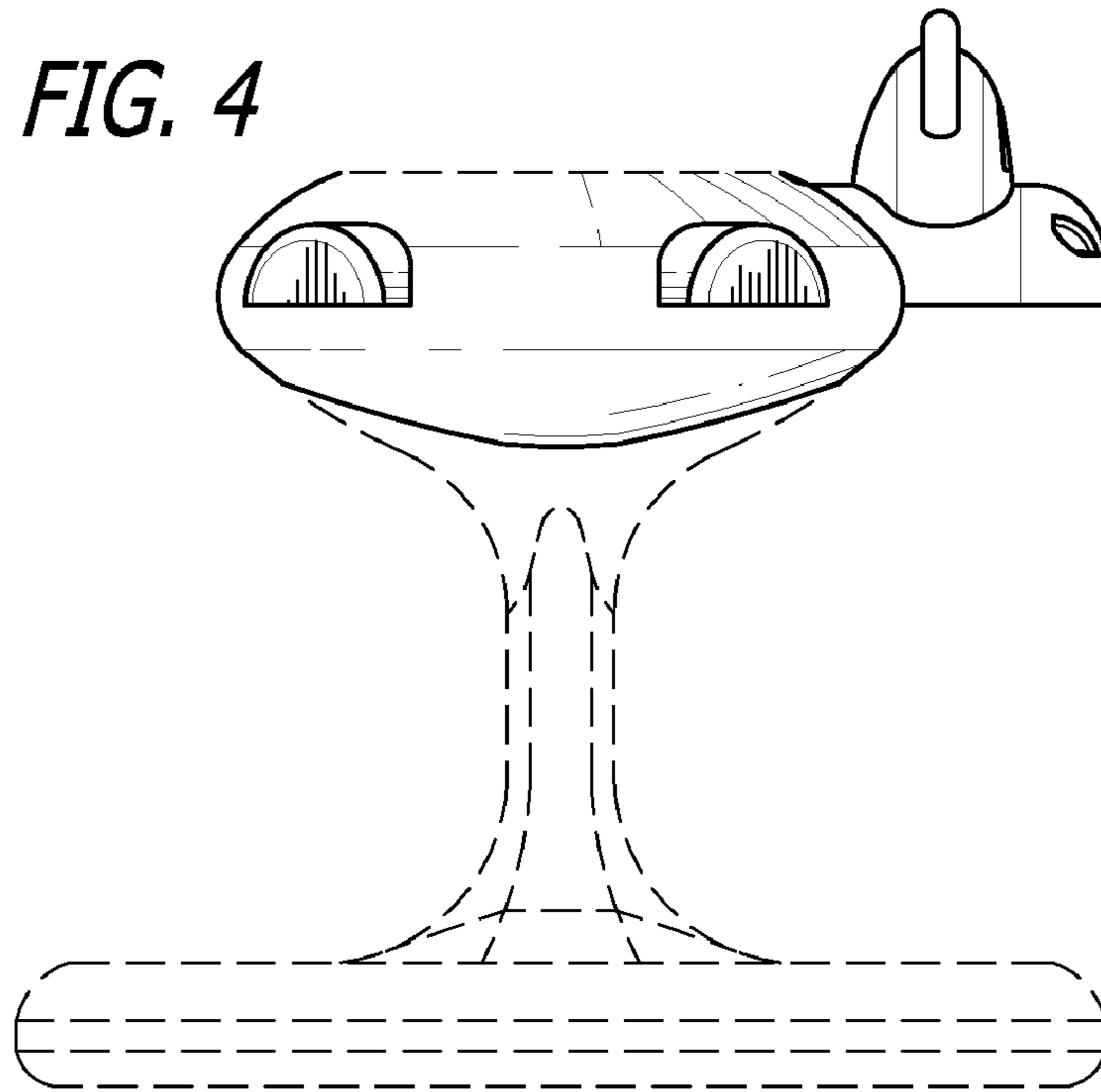


FIG. 5

