



US00D637733S

(12) **United States Design Patent**  
**Wei**

(10) **Patent No.:** **US D637,733 S**

(45) **Date of Patent:** **\*\* May 10, 2011**

(54) **CONICAL EMBRYO CULTURE PLATE**

(75) Inventor: **Hong Wei**, Sioux Center, IA (US)

(73) Assignee: **SPI, Inc.**, Canton, TX (US)

(\*\*) Term: **14 Years**

(21) Appl. No.: **29/370,851**

(22) Filed: **Sep. 14, 2010**

(51) **LOC (9) Cl.** ..... **24-01**

(52) **U.S. Cl.** ..... **D24/226**

(58) **Field of Classification Search** ..... D24/216-232;  
D10/81; 422/500, 547, 549; 435/287.1,  
435/288.1, 288.2, 288.4

See application file for complete search history.

(56) **References Cited**

**U.S. PATENT DOCUMENTS**

4,495,289	A *	1/1985	Lyman et al.	.....	D24/226
D330,257	S *	10/1992	Schneider	.....	D24/224
5,366,893	A *	11/1994	Stevens et al.	.....	D24/224
D359,125	S *	6/1995	Livingston	.....	D24/223
5,578,490	A *	11/1996	Martinez Ubeira	.....	435/287.1
D378,941	S *	4/1997	Lahm et al.	.....	D24/224
D382,974	S *	8/1997	Lahm et al.	.....	D24/224

5,780,294	A *	7/1998	Stevens et al.	.....	435/288.4
D404,497	S *	1/1999	Lahm et al.	.....	D24/224
D407,827	S *	4/1999	Lahm et al.	.....	D24/224
D411,308	S *	6/1999	Pandey et al.	.....	D24/230
6,048,723	A *	4/2000	Banes	.....	435/288.4

\* cited by examiner

*Primary Examiner* — T. Chase Nelson

*Assistant Examiner* — Anhdao Doan

(74) *Attorney, Agent, or Firm* — C. W. Alworth

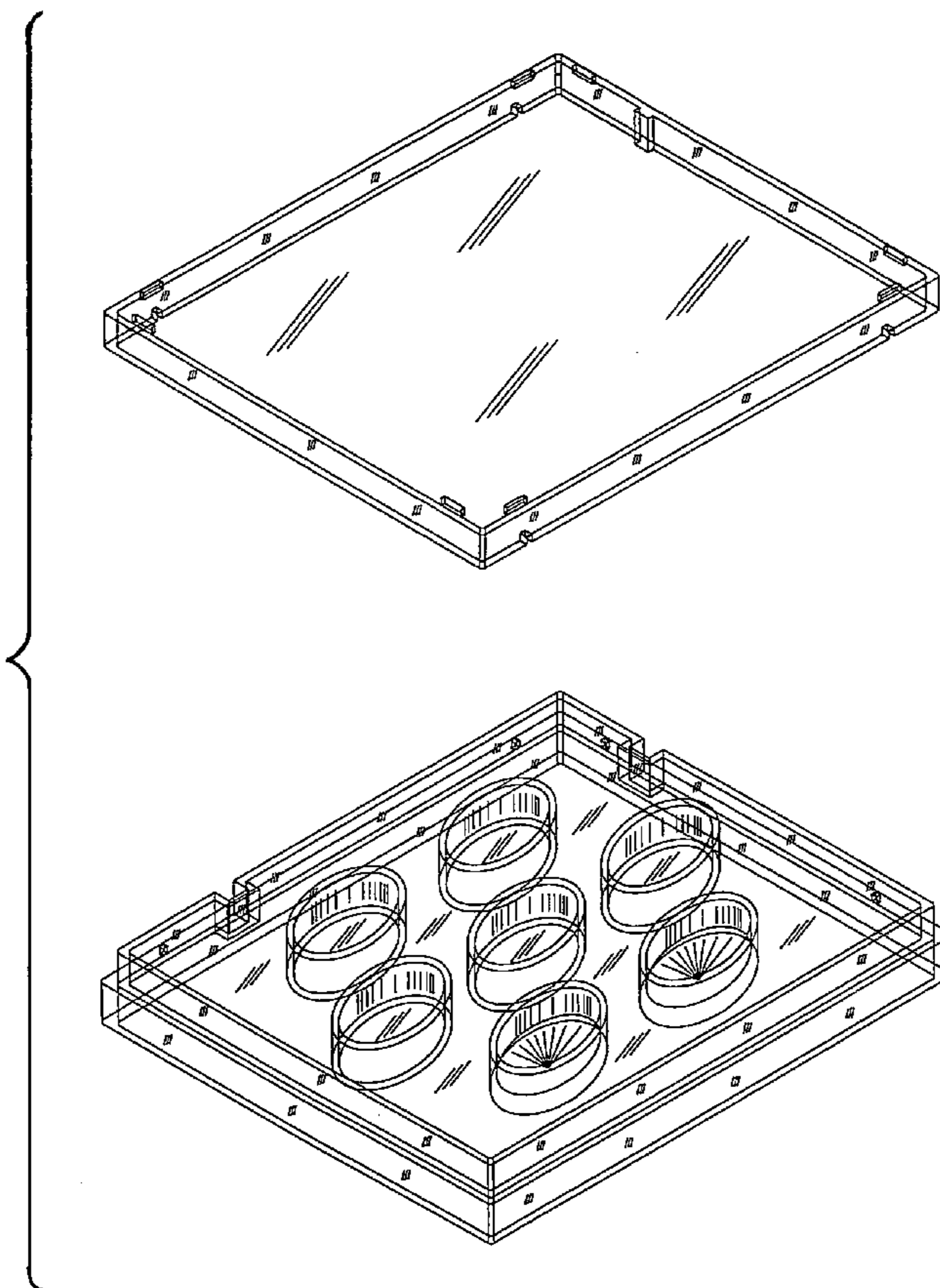
(57) **CLAIM**

The ornamental design for a conical embryo culture plate, as shown and described.

**DESCRIPTION**

FIG. 1, is an isometric view of the new conical embryo culture plate, showing the base and separable lid of my new design; FIG. 2, is a top view of the base thereof; FIG. 3, is a side elevational view of the base thereof; FIG. 4, is a side elevational view of the base, rotated 90 degrees from the side elevational view of FIG. 3; FIG. 5, is a top view of the lid thereof; FIG. 6, is a side elevational view of the lid thereof; and, FIG. 7, is a side elevational view of the lid, rotated 90 degrees from the side elevational view of FIG. 6.

**1 Claim, 5 Drawing Sheets**



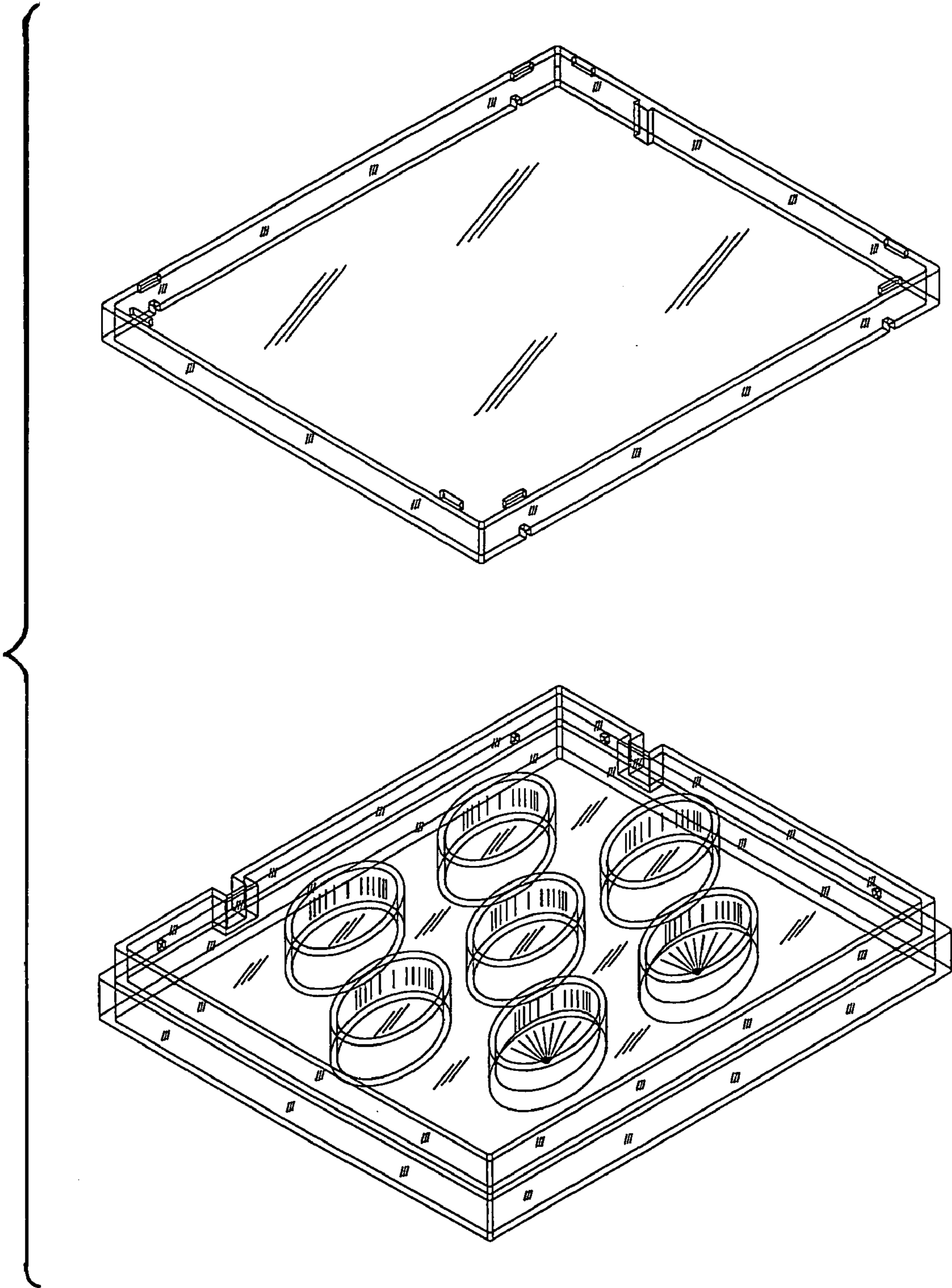


Figure 1

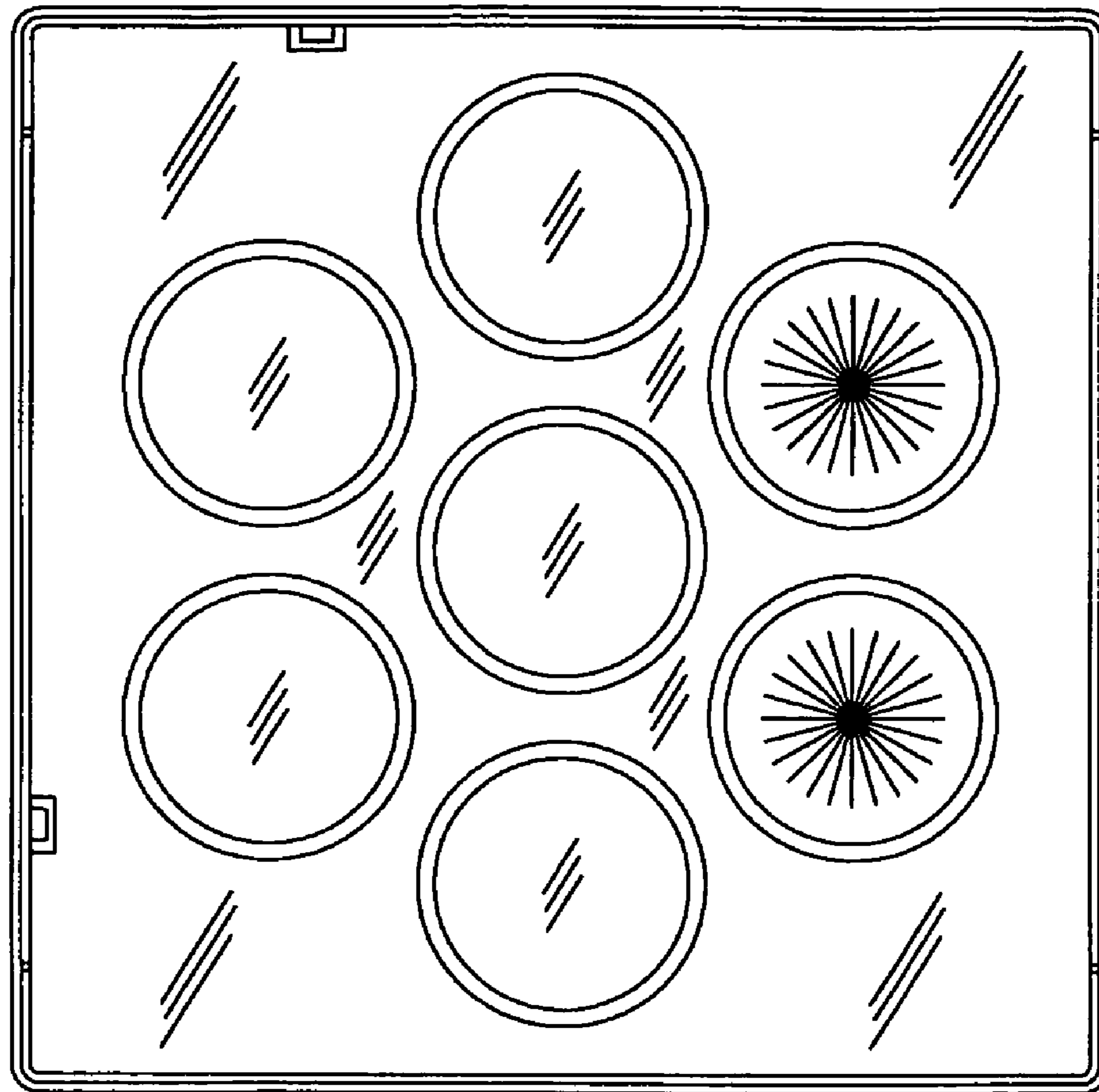


Figure 2

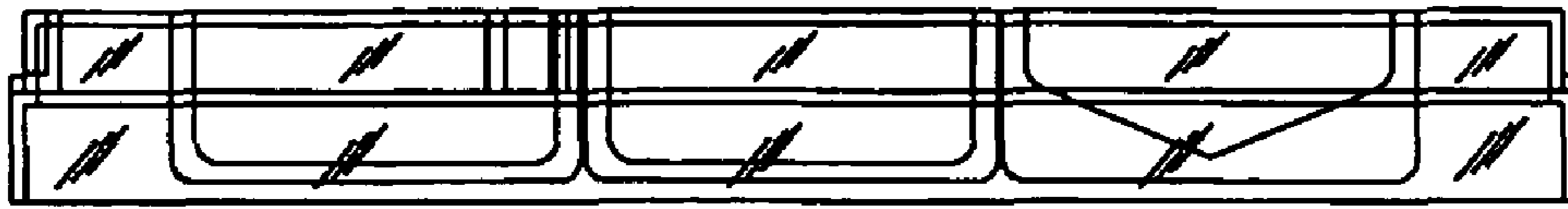


Figure 3

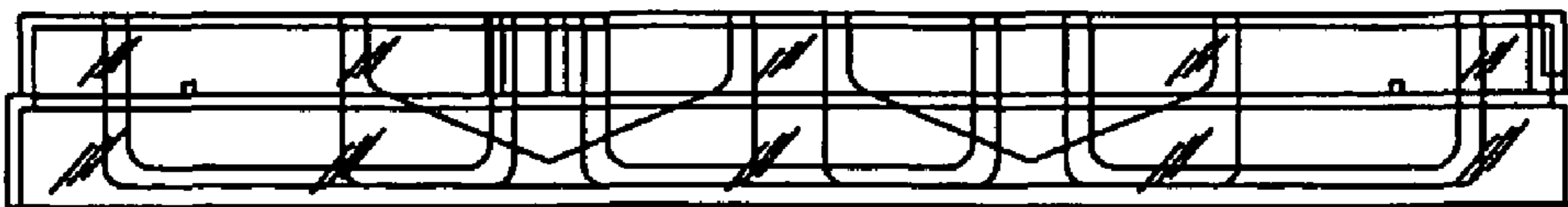


Figure 4

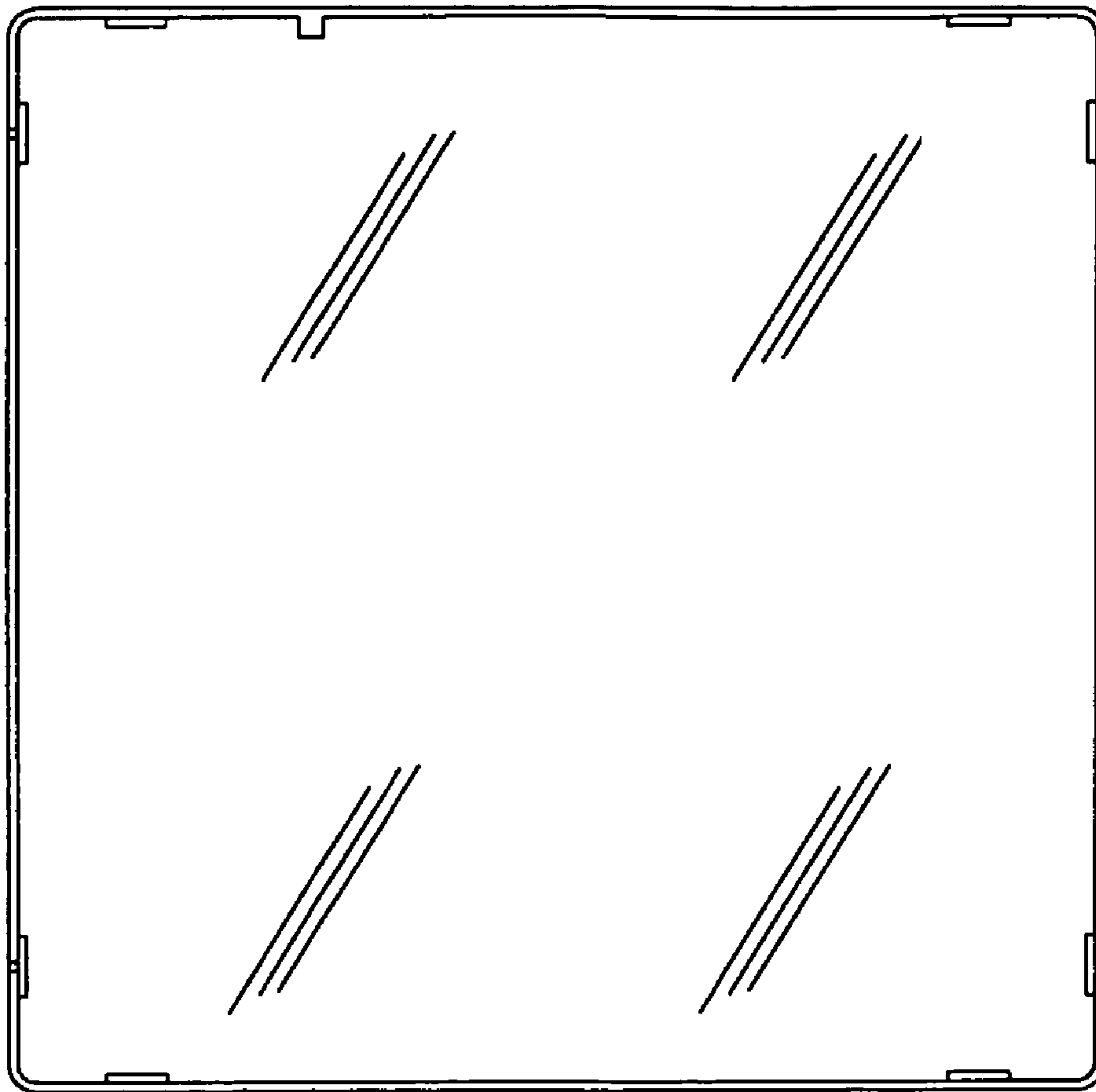


Figure 5

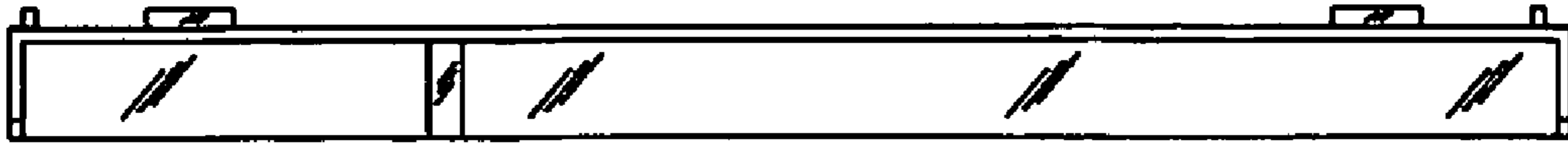


Figure 6



Figure 7