



US00D637731S

(12) **United States Design Patent**
Sattler et al.

(10) **Patent No.:** **US D637,731 S**

(45) **Date of Patent:** **** May 10, 2011**

(54) **COMBINATION OF REAGENT HOLDER AND PART**

(75) Inventors: **Stephan Sattler**, Starnberg (DE);
Reinhold Kraemer, Peissenberg (DE)

(73) Assignee: **Roche Diagnostics Operations, Inc.**,
Indianapolis, IN (US)

(**) Term: **14 Years**

(21) Appl. No.: **29/356,132**

(22) Filed: **Feb. 19, 2010**

(30) **Foreign Application Priority Data**

Aug. 19, 2009 (EM) 001159404-0013
Aug. 19, 2009 (EM) 001159404-0035

(51) **LOC (9) Cl.** **24-01**

(52) **U.S. Cl.** **D24/224**

(58) **Field of Classification Search** D24/216,
D24/222–226, 231, 232; D10/81; D3/203.1–203.8;
422/99, 102; D9/503, 504, 505, 520, 529,
D9/549; 435/288.1, 288.3, 288.4, 304.1,
435/305.1, 305.3, 305.4; D7/509
See application file for complete search history.

(56) **References Cited**

U.S. PATENT DOCUMENTS

4,487,324 A 12/1984 Ostrowsky
4,713,219 A 12/1987 Gerken et al.
4,849,177 A 7/1989 Jordan
4,956,103 A 9/1990 Jessop et al.
5,145,646 A 9/1992 Tyranski
D342,140 S 12/1993 Sakagami et al.
D342,793 S 12/1993 Balmer

(Continued)

OTHER PUBLICATIONS

US Office Action dated Oct. 14, 2010 pertaining to U.S. Appl. No. 29/356,134.

(Continued)

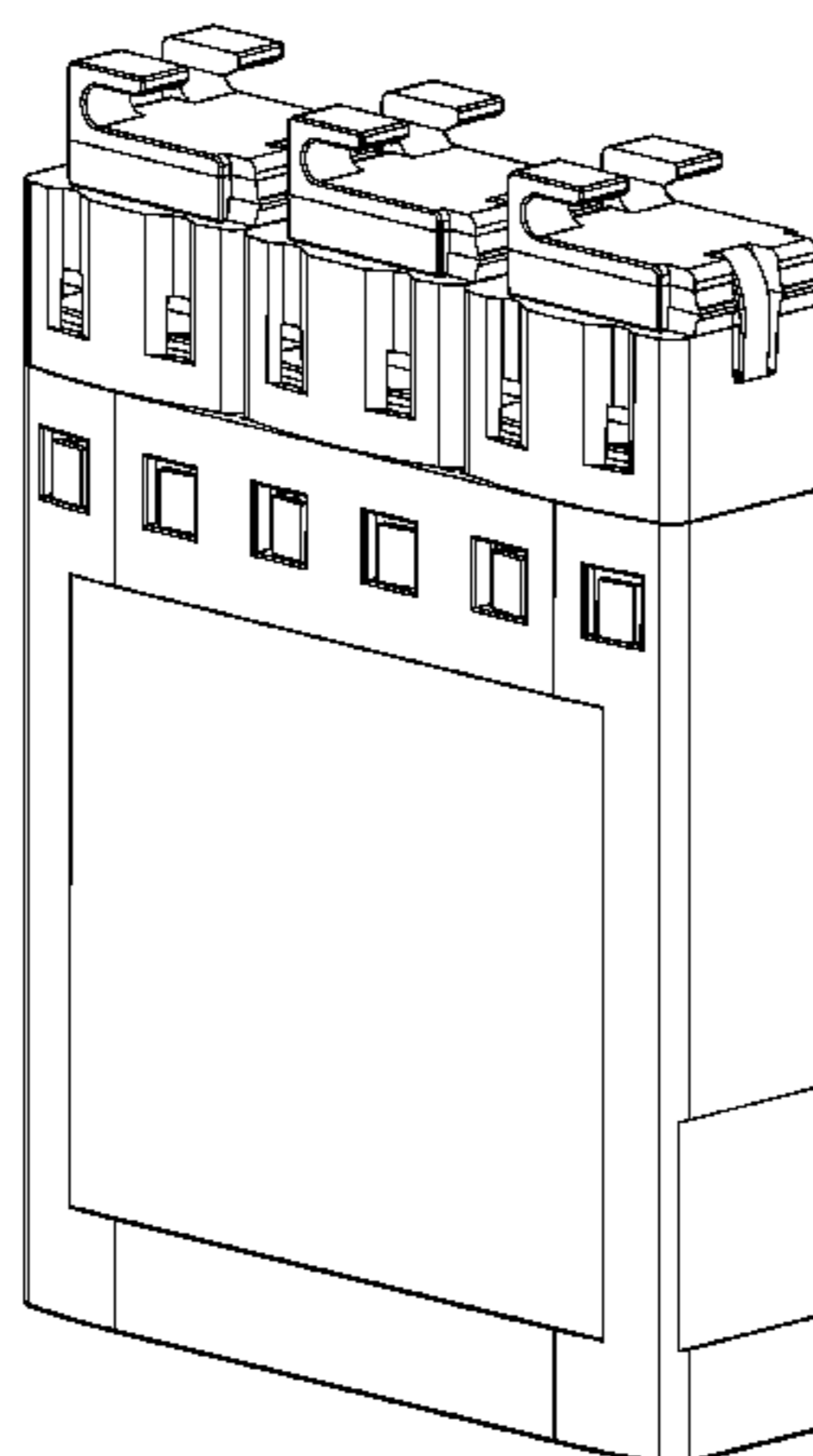
Primary Examiner — T. Chase Nelson
Assistant Examiner — Anhdao Doan
(74) *Attorney, Agent, or Firm* — Dinsmore & Shohl LLP

(57) **CLAIM**
The ornamental design for a combination of reagent holder and part, as shown and described.

DESCRIPTION

FIG. 1 is a front perspective view of a reagent holder with part included;
FIG. 2 is a left side, upper perspective view thereof;
FIG. 3 is a left side, bottom perspective view thereof;
FIG. 4 is right side, bottom perspective view thereof;
FIG. 5 is a bottom view thereof;
FIG. 6 is a right side view thereof;
FIG. 7 is a front view thereof;
FIG. 8 is a left side view thereof;
FIG. 9 is a back view thereof;
FIG. 10 is a top view thereof;
FIG. 11 is a right side, top perspective view of a reagent holder cap shown closed and separately from the reagent holder of FIG. 1;
FIG. 12 is a front side, top perspective view thereof;
FIG. 13 is a left side, bottom perspective view thereof;
FIG. 14 is a back side, bottom perspective view thereof;
FIG. 15 is bottom view thereof;
FIG. 16 is a right side view thereof;
FIG. 17 is a front view thereof;
FIG. 18 is a left side view thereof;
FIG. 19 is a back view thereof;
FIG. 20 is a top view thereof;
FIG. 21 is a right side, top perspective view of a reagent holder cap shown opened and separately from the reagent holder of FIG. 1;
FIG. 22 is a front side, top perspective view thereof;
FIG. 23 is a left side, bottom perspective view thereof;
FIG. 24 is a back side, bottom perspective view thereof;
FIG. 25 is a bottom view thereof;
FIG. 26 is a right side view thereof;
FIG. 27 is a front view thereof;
FIG. 28 is a left side view thereof;
FIG. 29 is a back view thereof; and,
FIG. 30 is a top view thereof.
The broken lines in FIGS. 3, 4 and 5 are included for the purpose of illustrating portions of the reagent holder that form no part of the claimed design.

1 Claim, 24 Drawing Sheets



US D637,731 S

Page 2

U.S. PATENT DOCUMENTS

D344,138 S 2/1994 Nagata
5,305,900 A 4/1994 Maguire et al.
D355,260 S * 2/1995 Tomasso D24/224
5,571,479 A 11/1996 Koch
5,604,101 A 2/1997 Hanley et al.
D380,555 S 7/1997 Kurosaki et al.
5,735,418 A * 4/1998 Erb et al. 215/237
D400,263 S * 10/1998 Shugart D24/224
D401,700 S 11/1998 Gray et al.
5,862,934 A * 1/1999 Sattler et al. 220/23.4
6,372,293 B1 * 4/2002 Mathus et al. 422/102
6,511,634 B1 * 1/2003 Bradshaw et al. 422/102

6,827,904 B2 * 12/2004 Kitagawa 422/102
7,018,587 B2 * 3/2006 Heath et al. 422/102
7,731,903 B2 * 6/2010 Sattler et al. 422/99
2002/0073647 A1 * 6/2002 Heath et al. 53/130.1
2003/0044323 A1 * 3/2003 Diamond et al. 422/102
2005/0142040 A1 * 6/2005 Hanawa et al. 422/102
2010/0080732 A1 * 4/2010 Mototsu et al. 422/63

OTHER PUBLICATIONS

US Notice of Allowance dated Oct. 19, 2010 pertaining to U.S. Appl. No. 29/356,128.

* cited by examiner

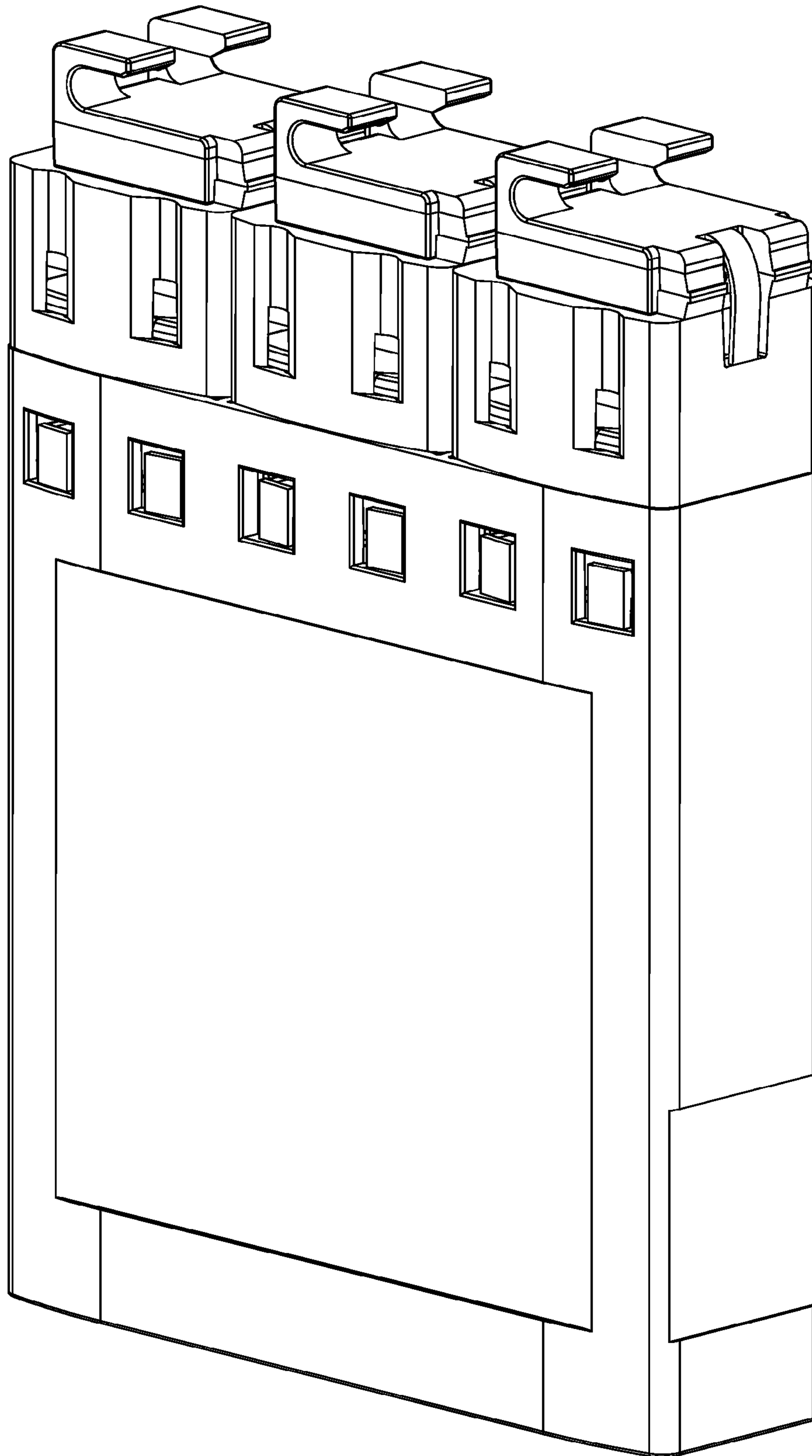


FIG. 1

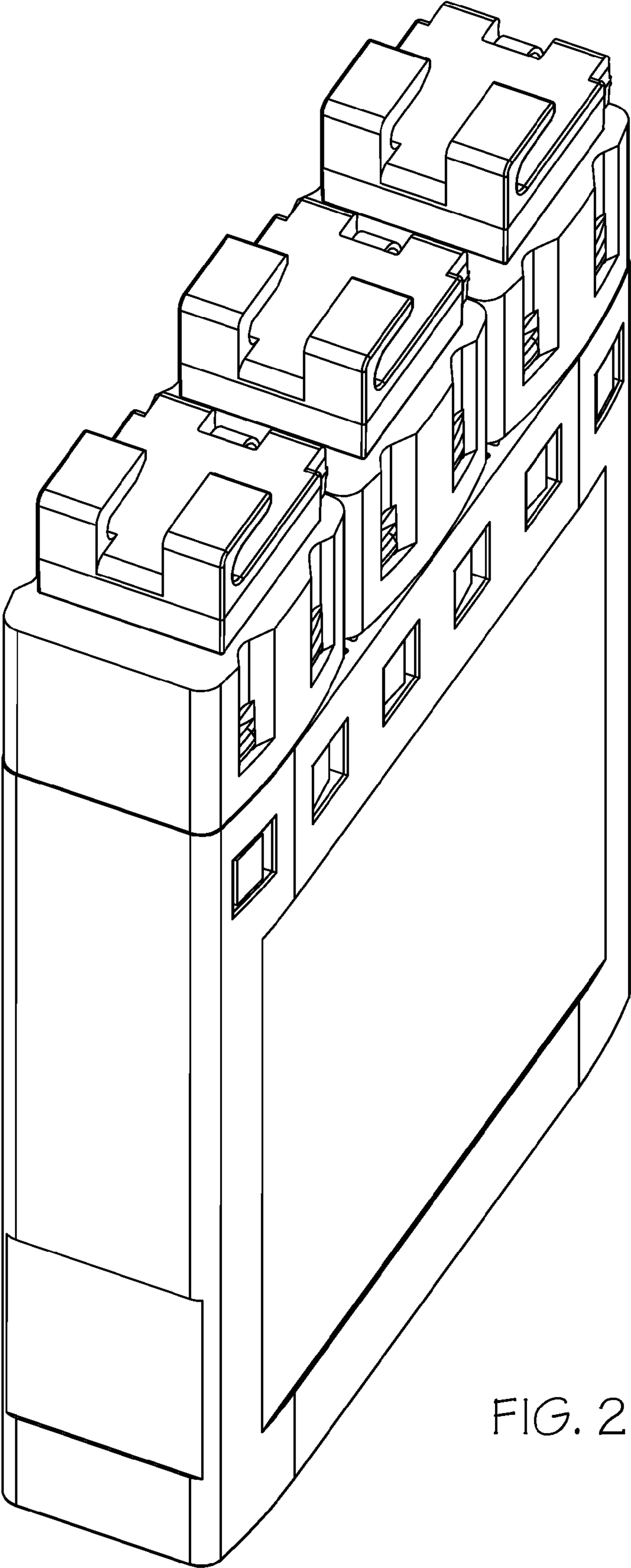


FIG. 2

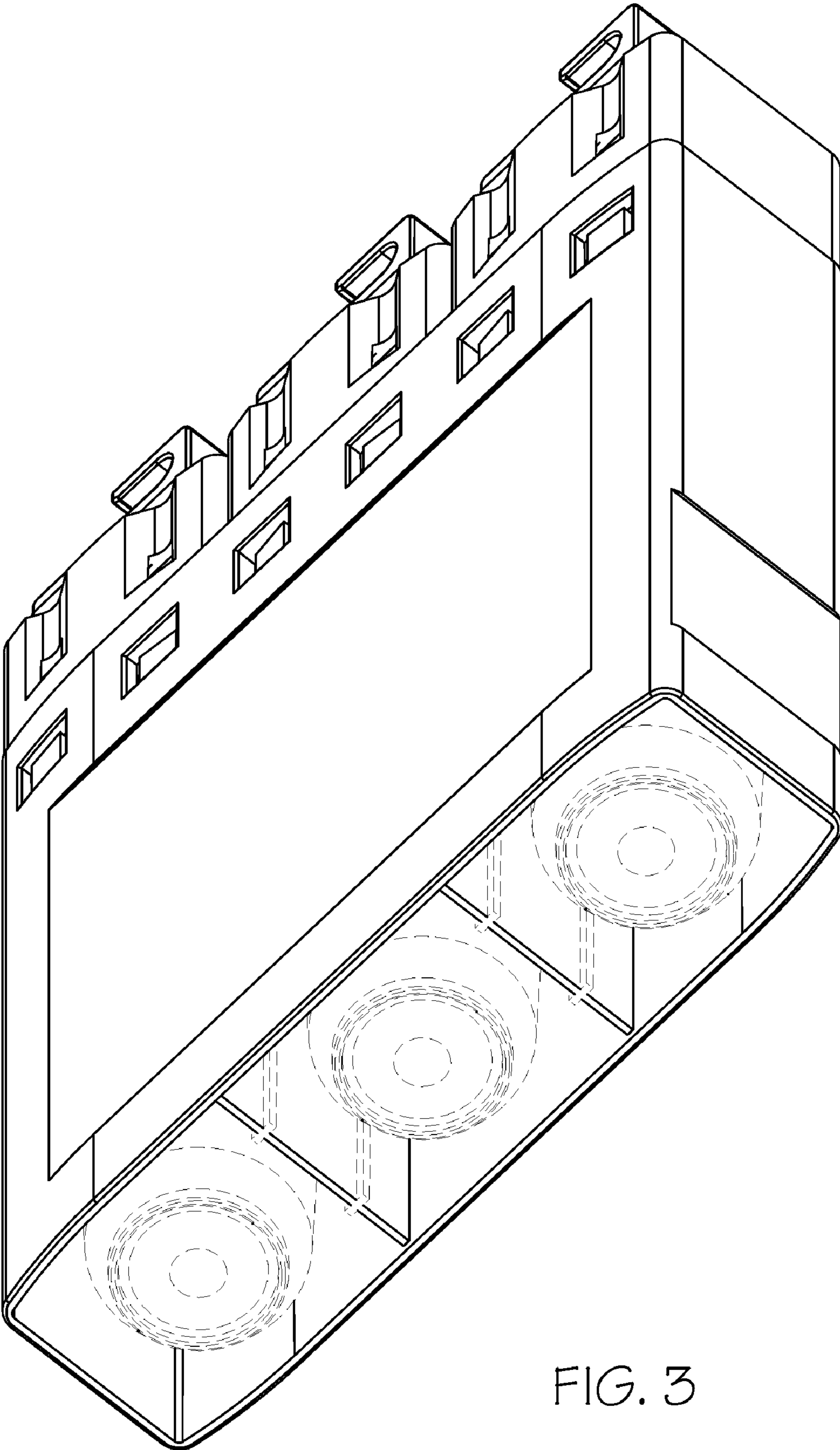


FIG. 3

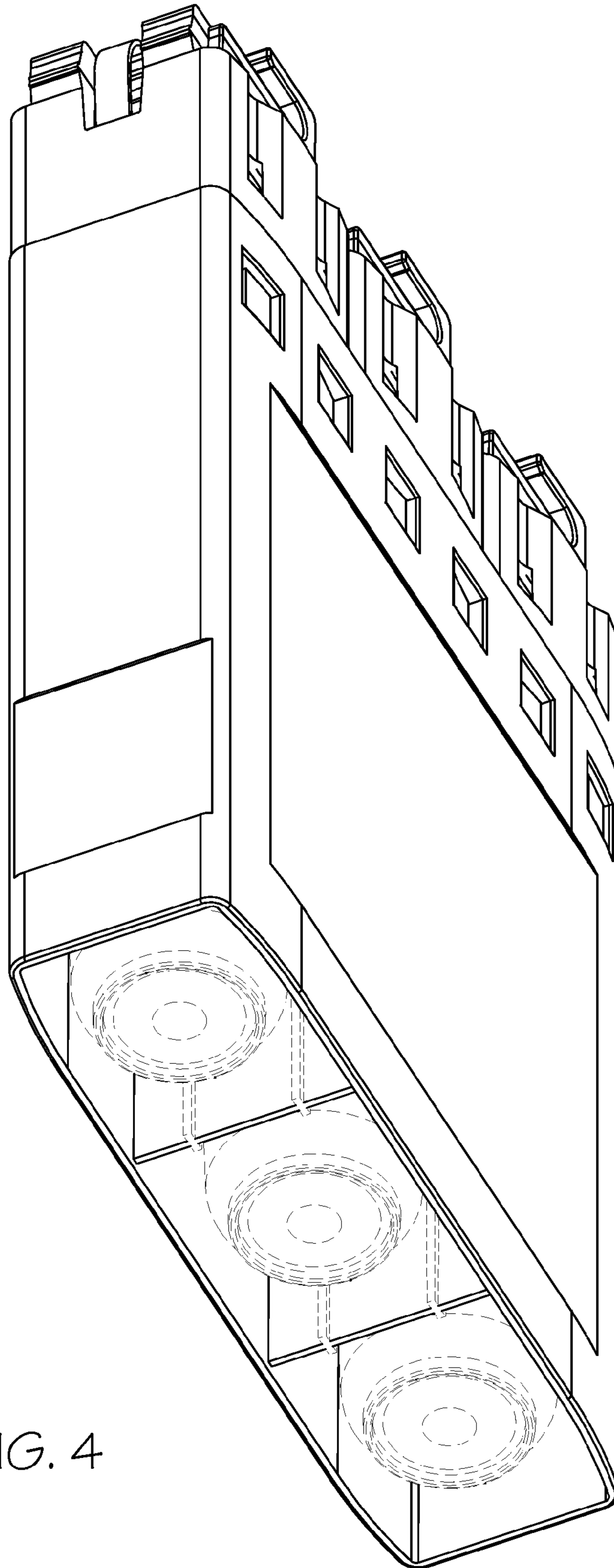


FIG. 4

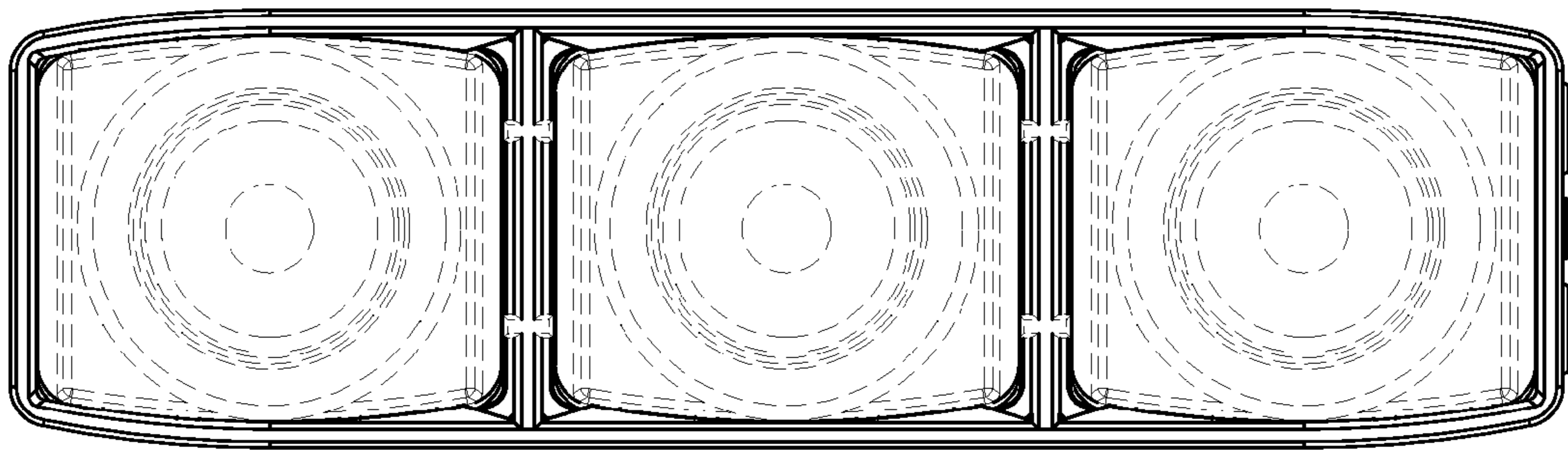


FIG. 5

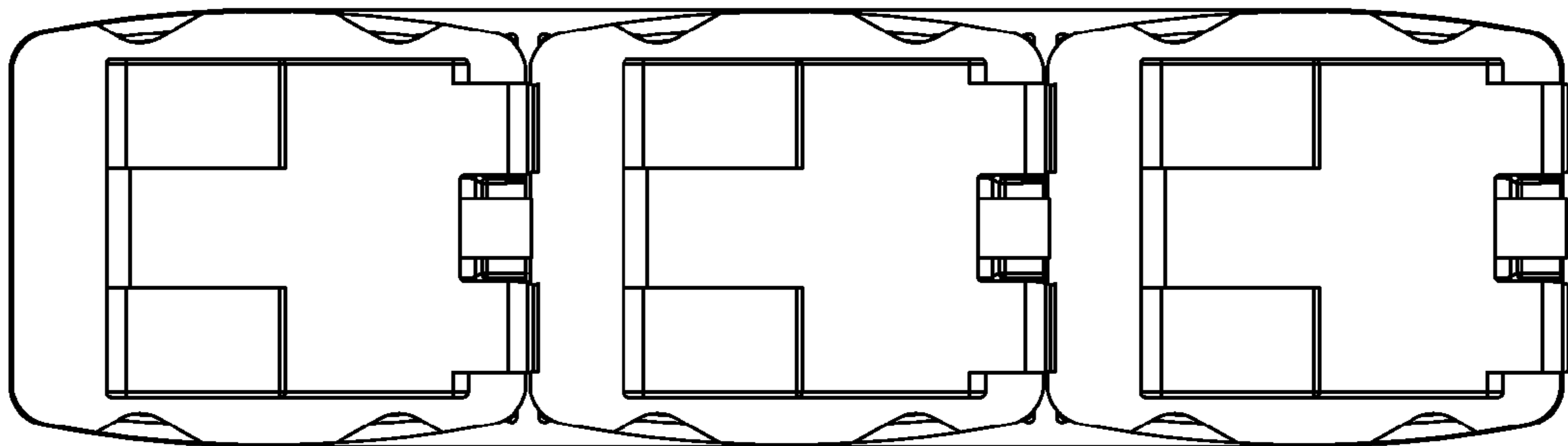


FIG. 10

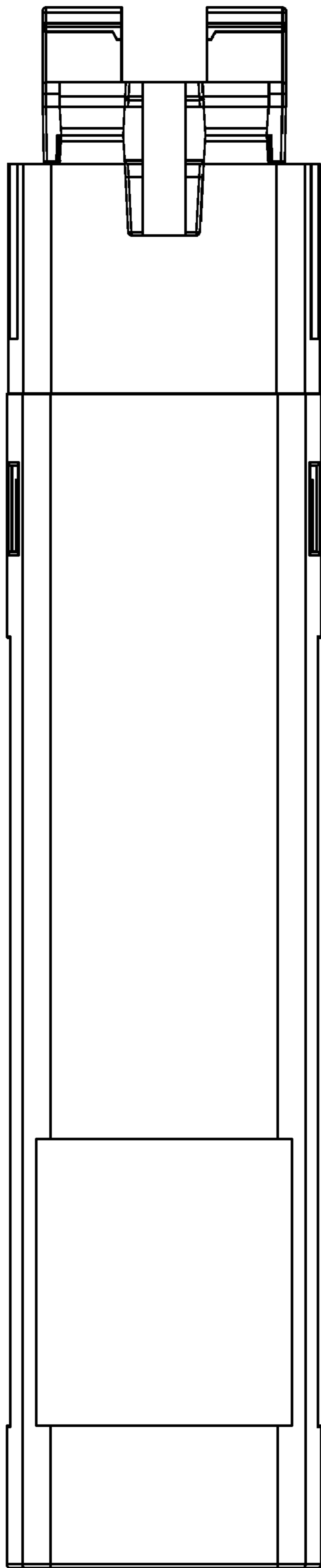


FIG. 6

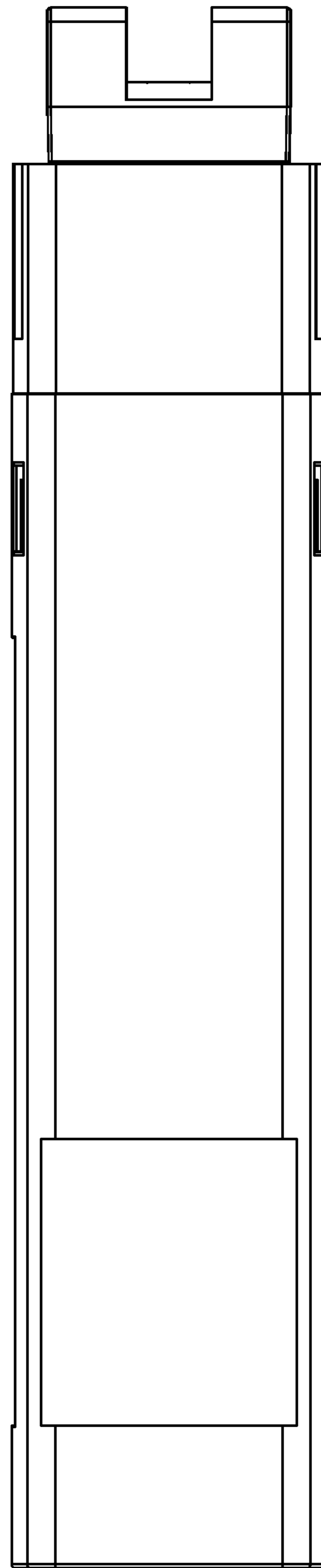


FIG. 8

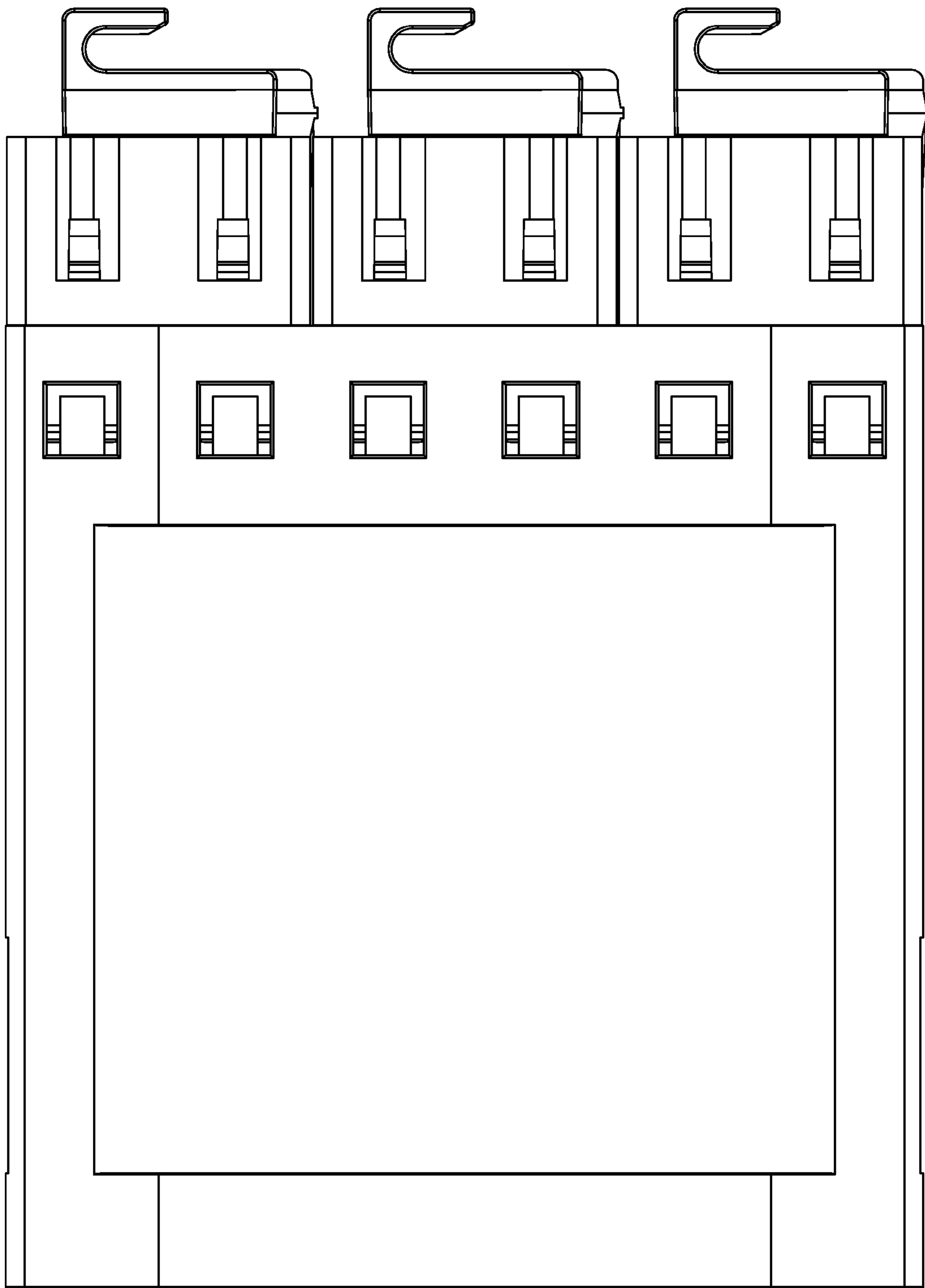


FIG. 7

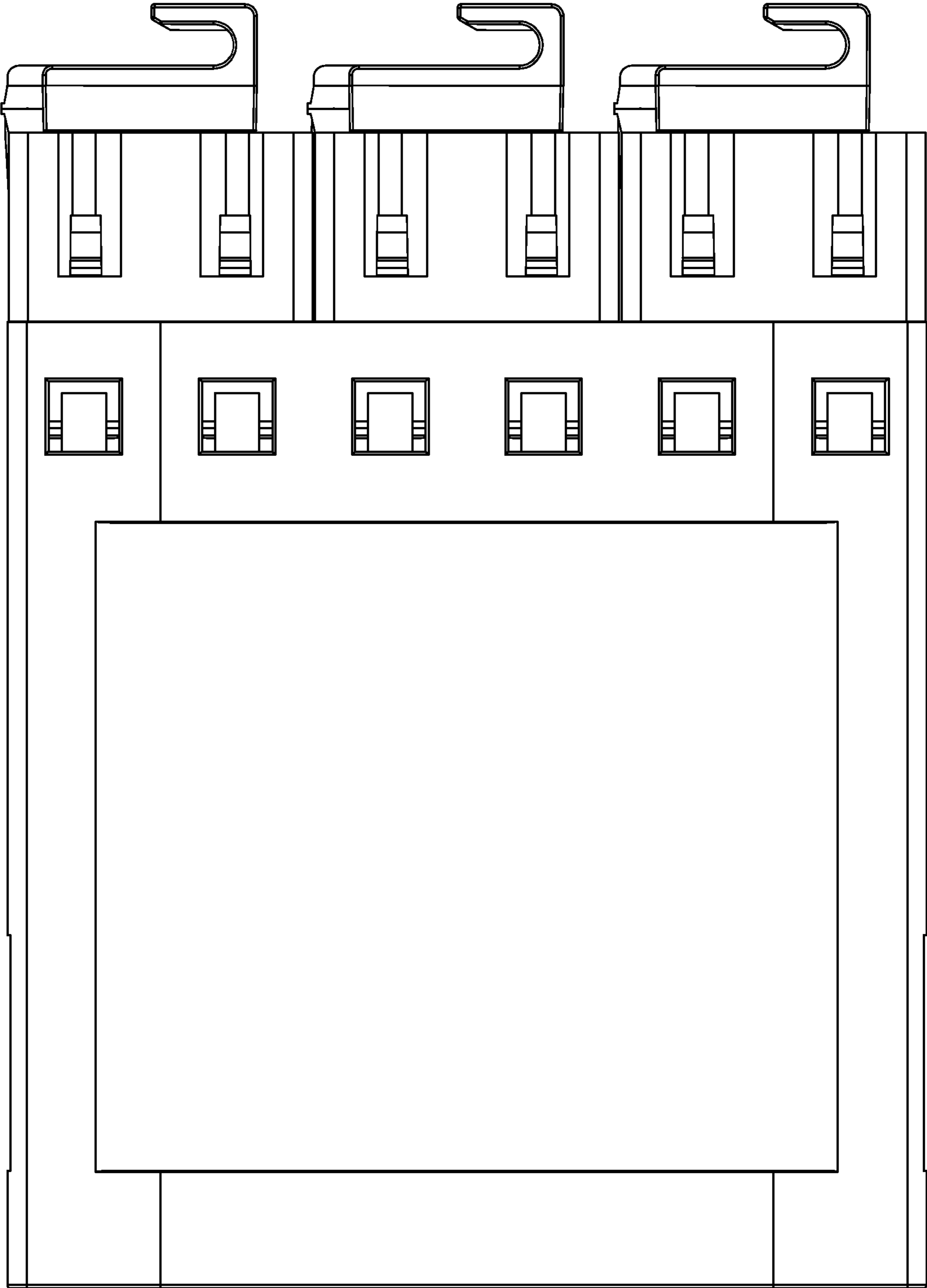


FIG. 9

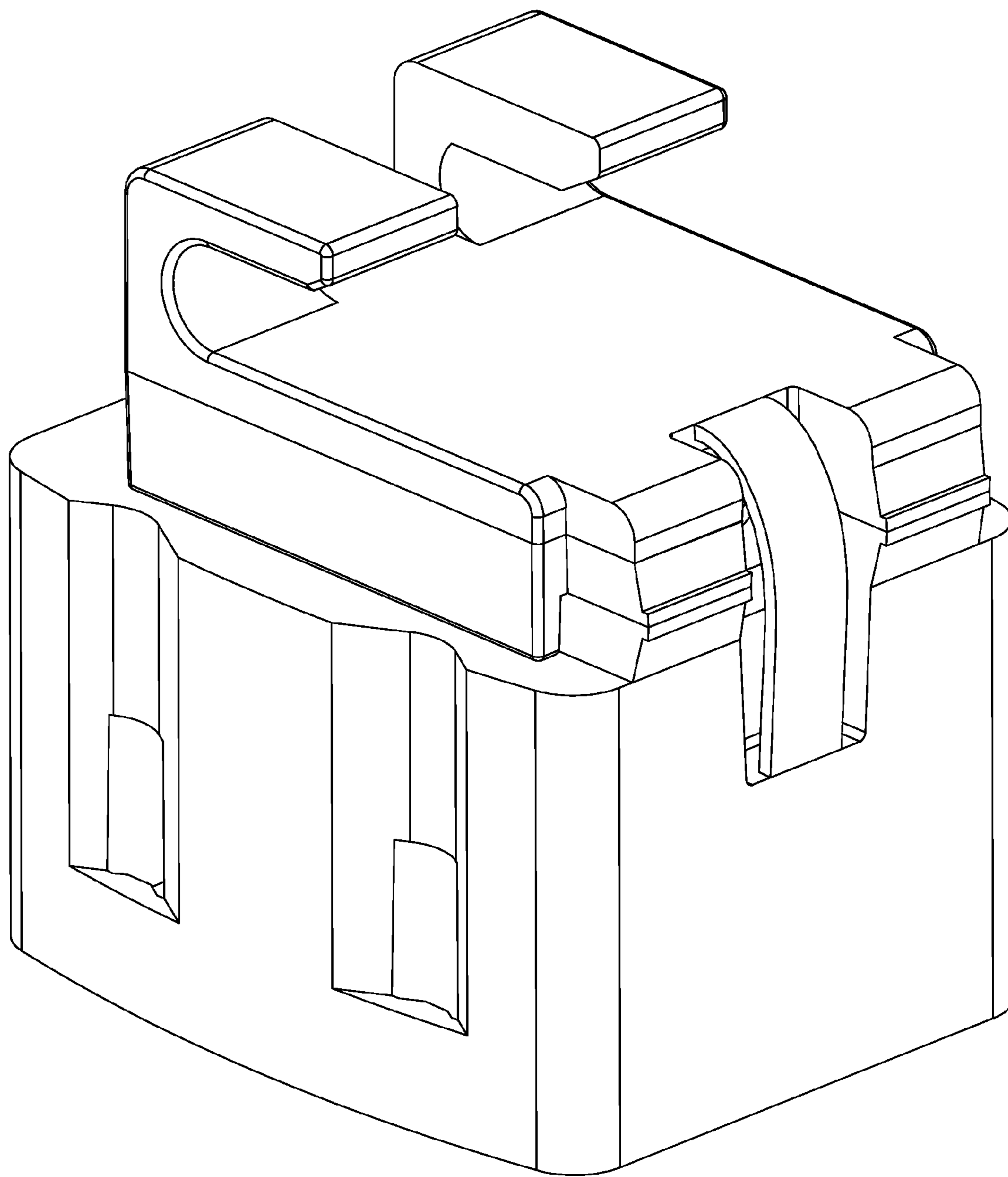


FIG. 11

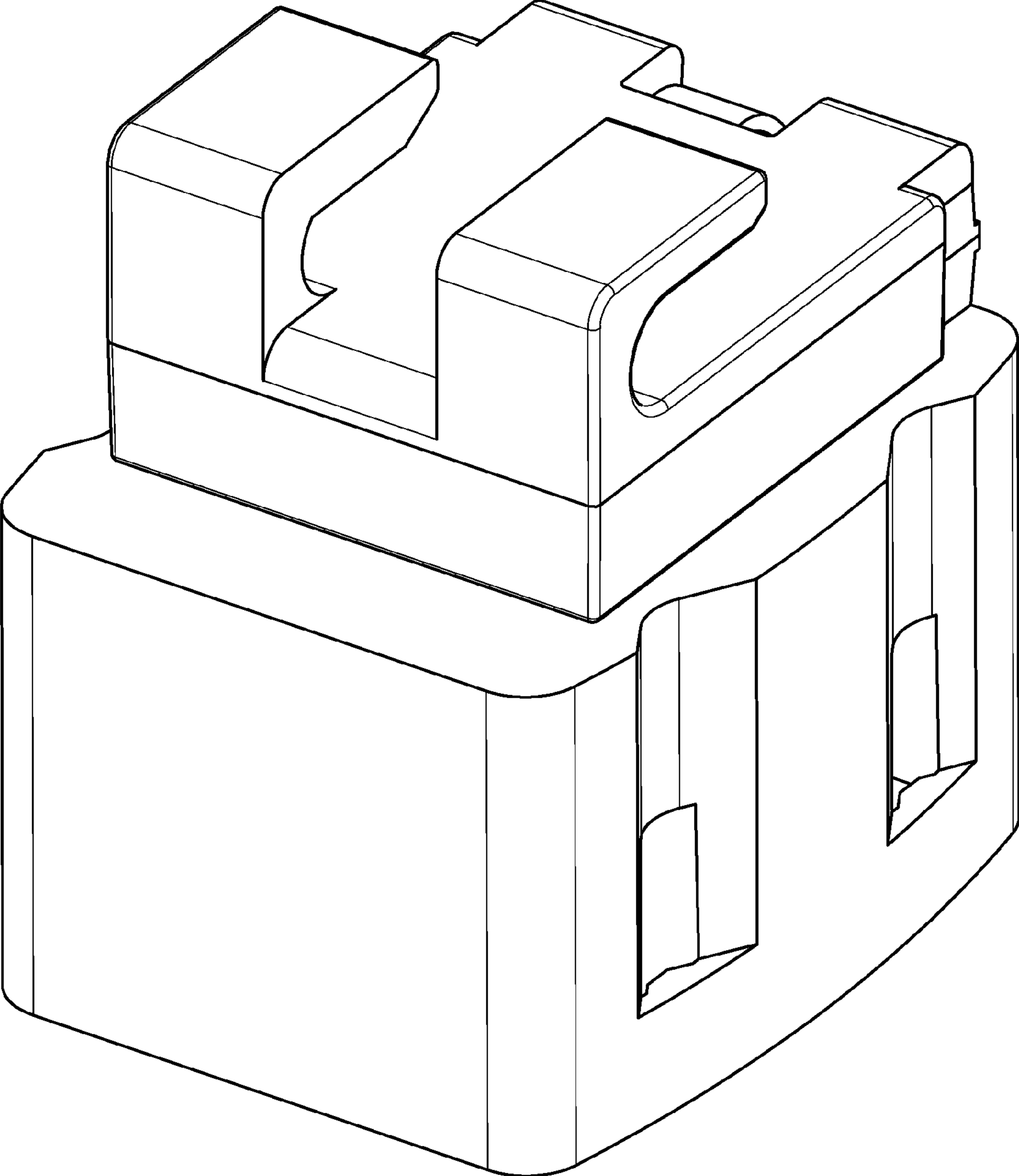


FIG. 12

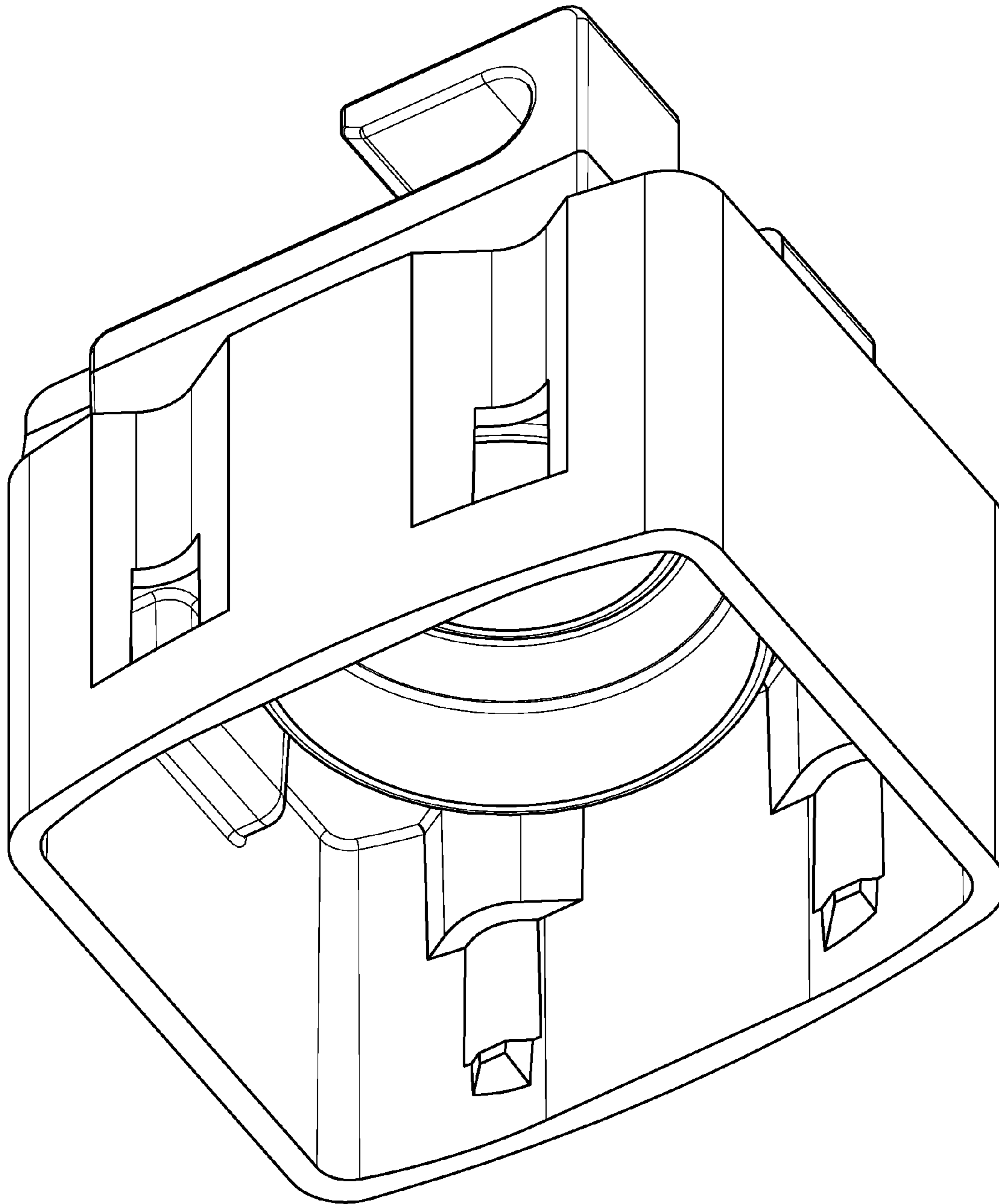


FIG. 13

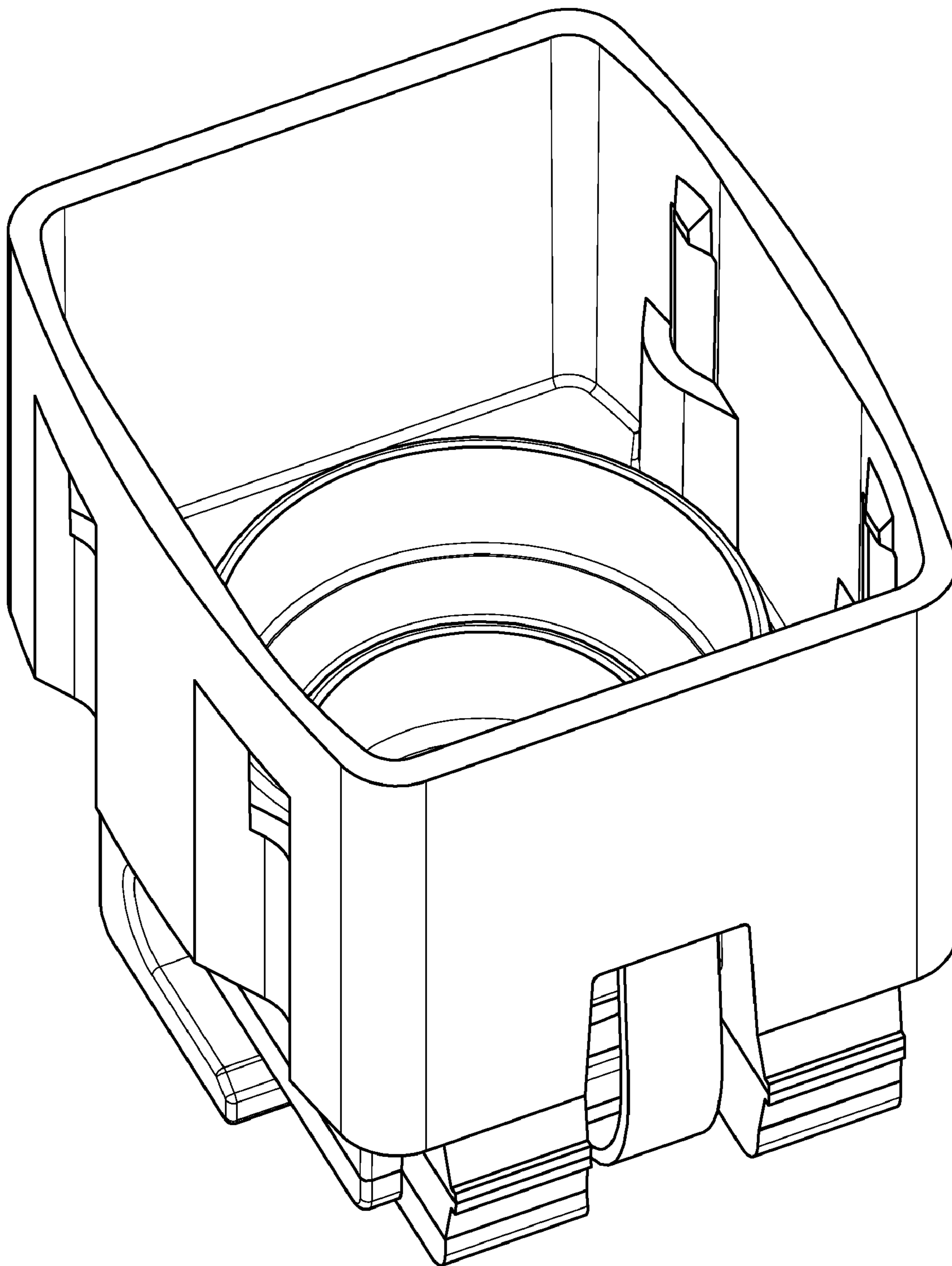


FIG. 14

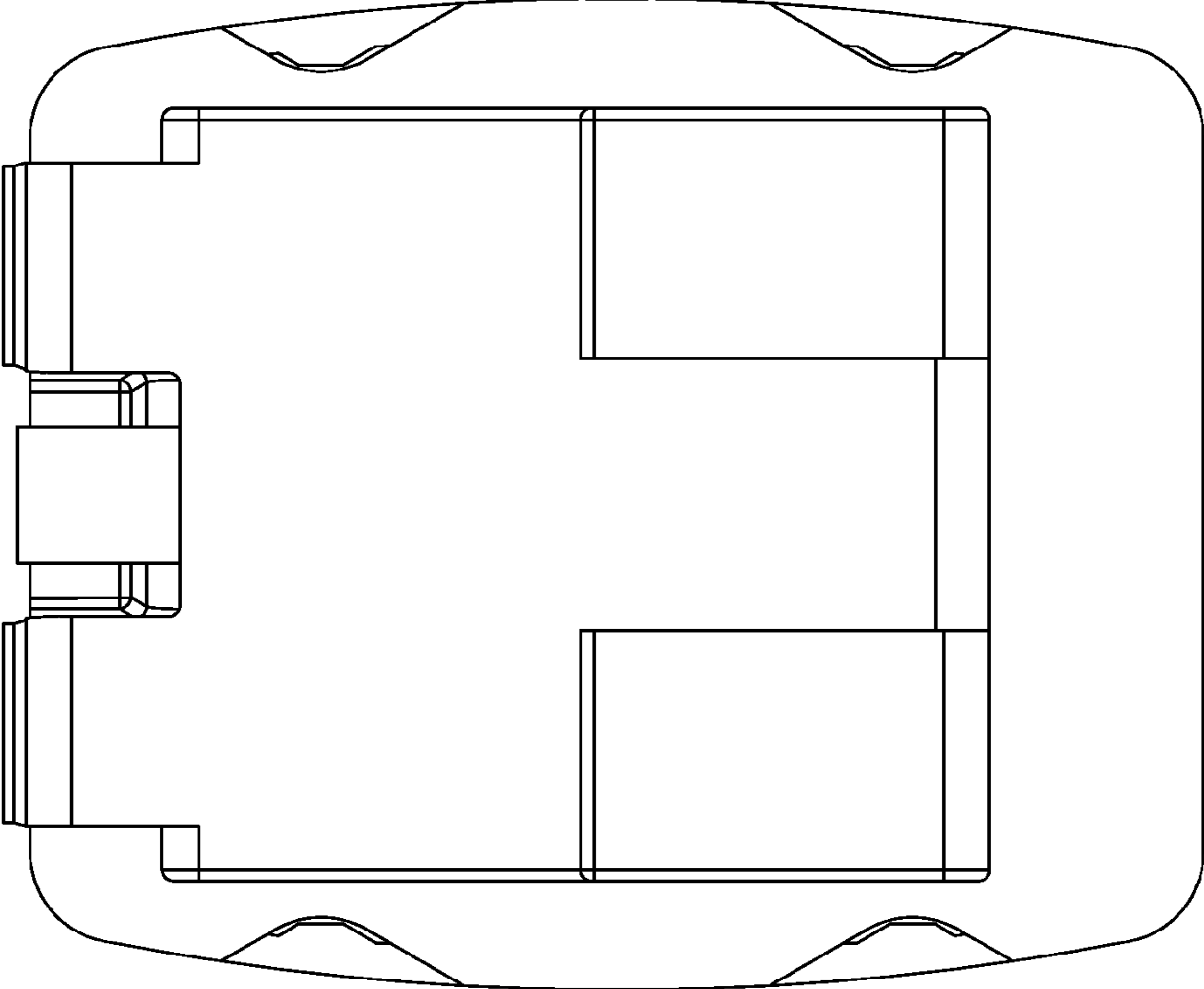


FIG. 20

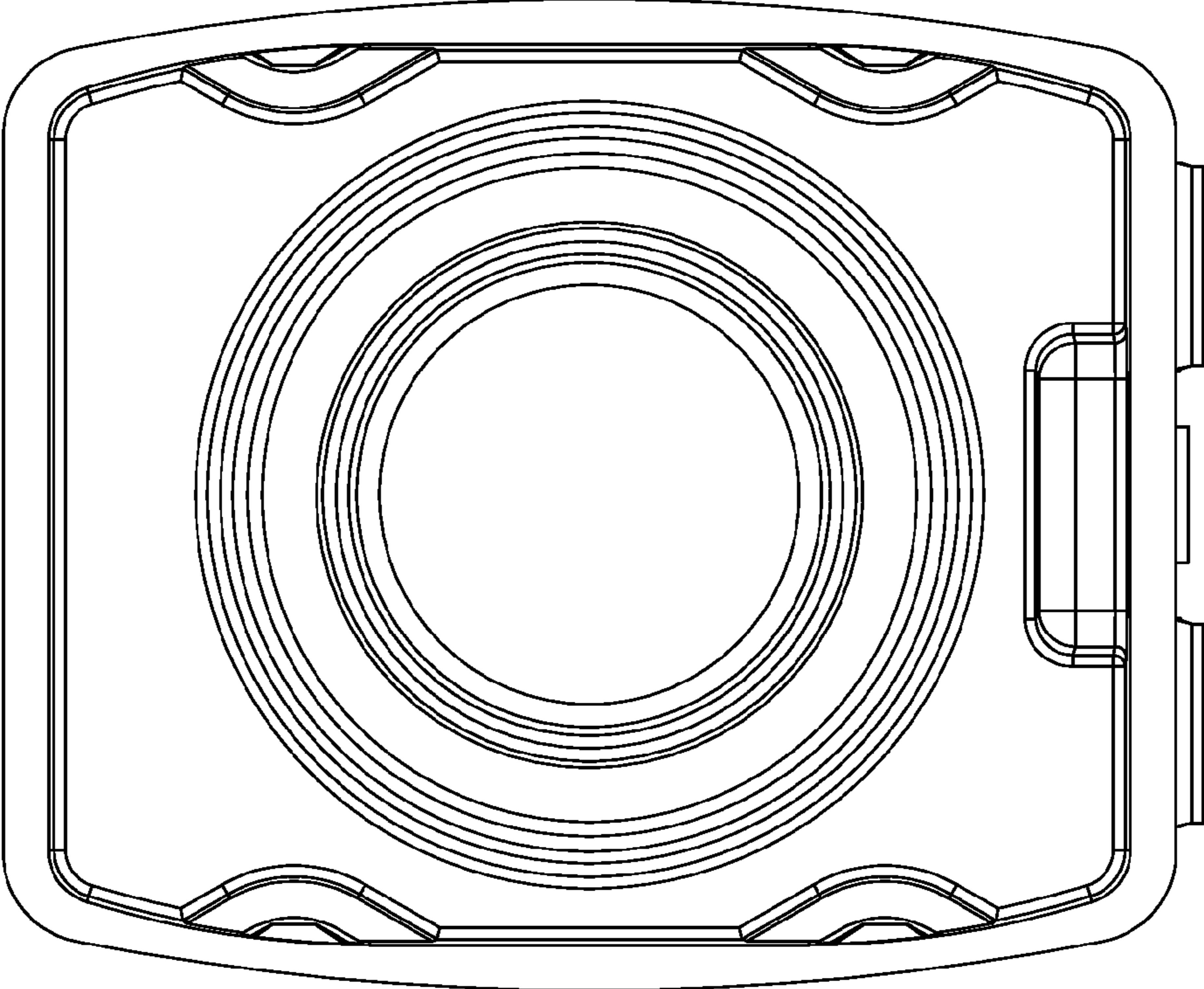


FIG. 15

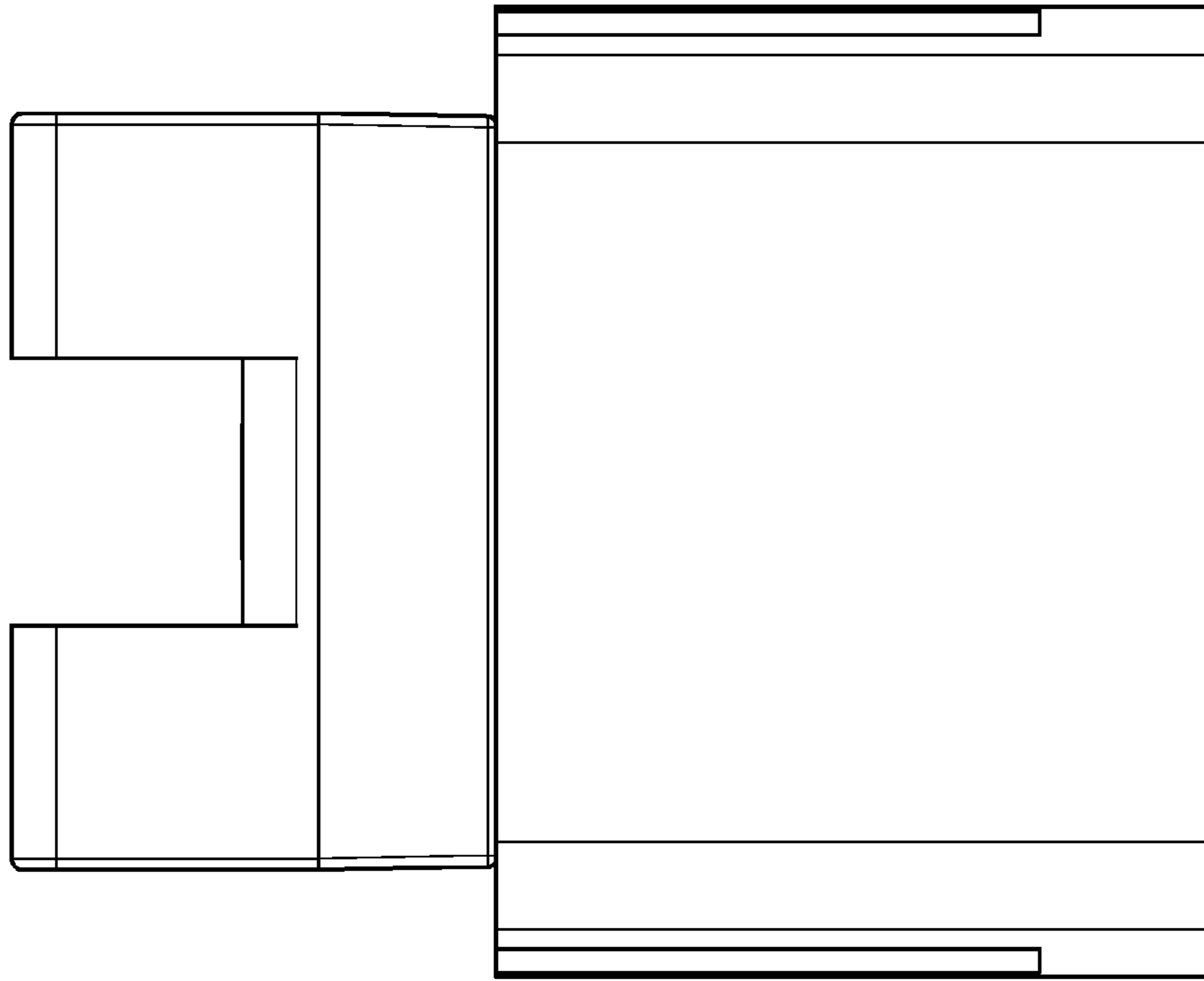


FIG. 17

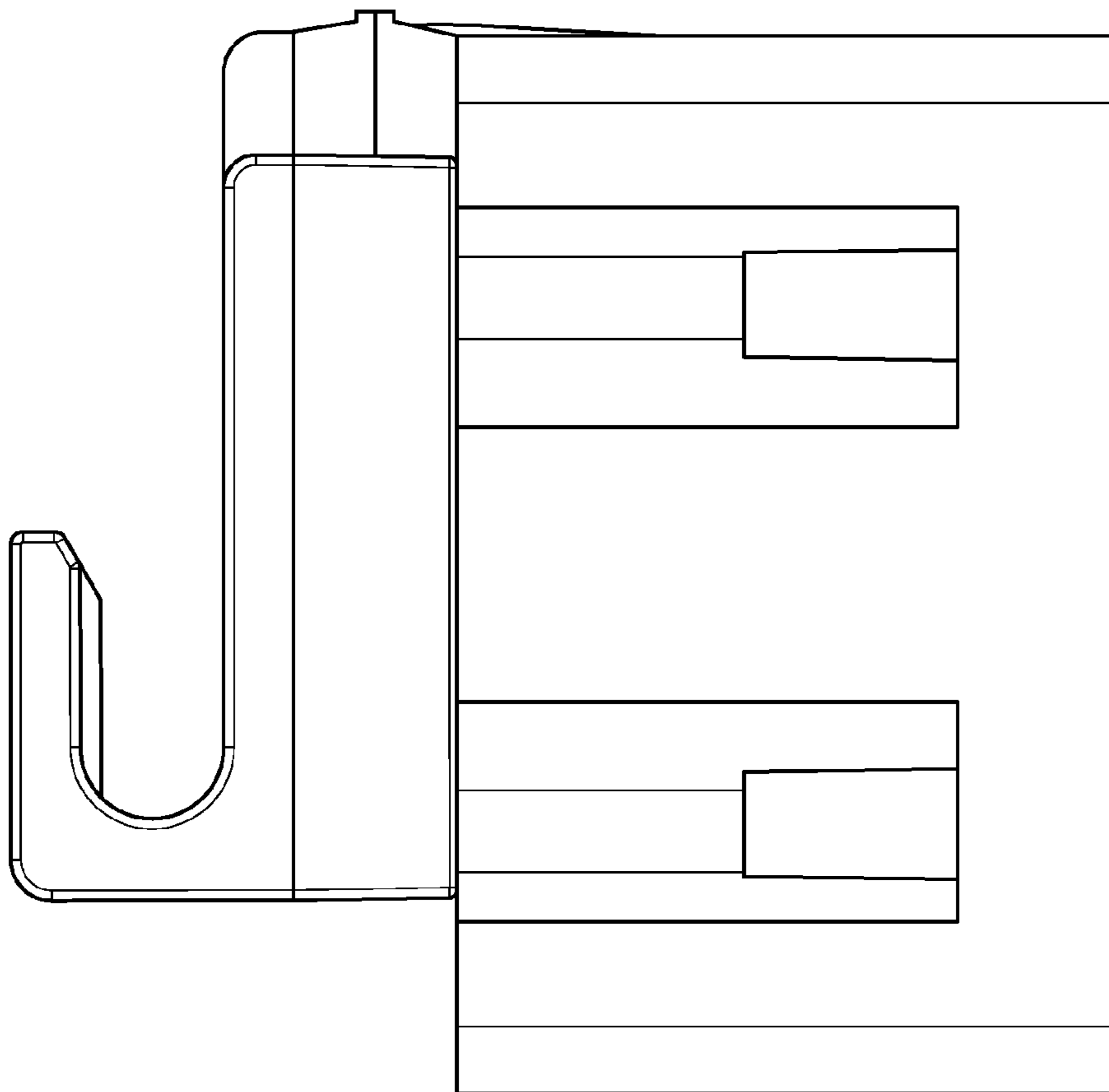


FIG. 16

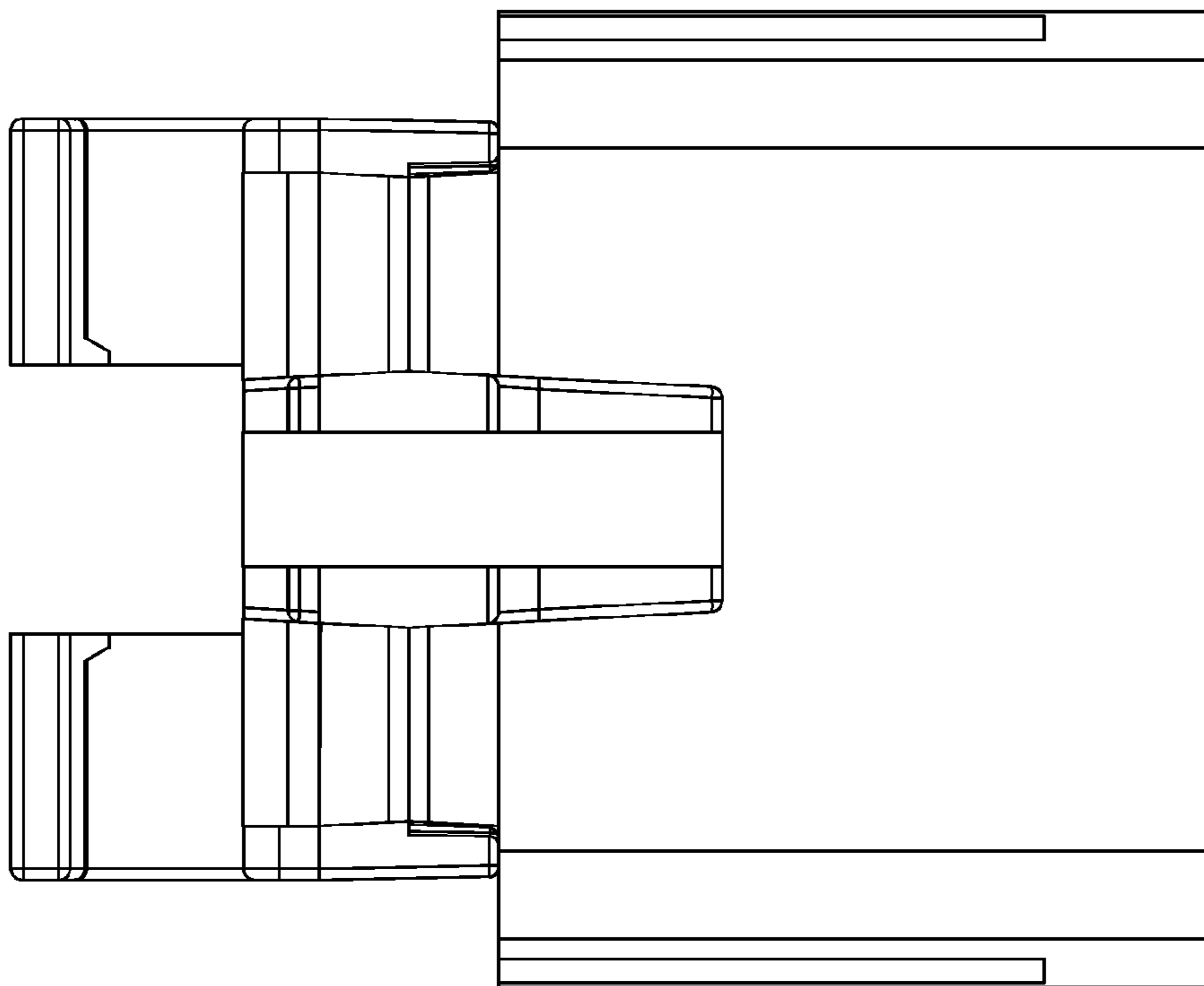


FIG. 19

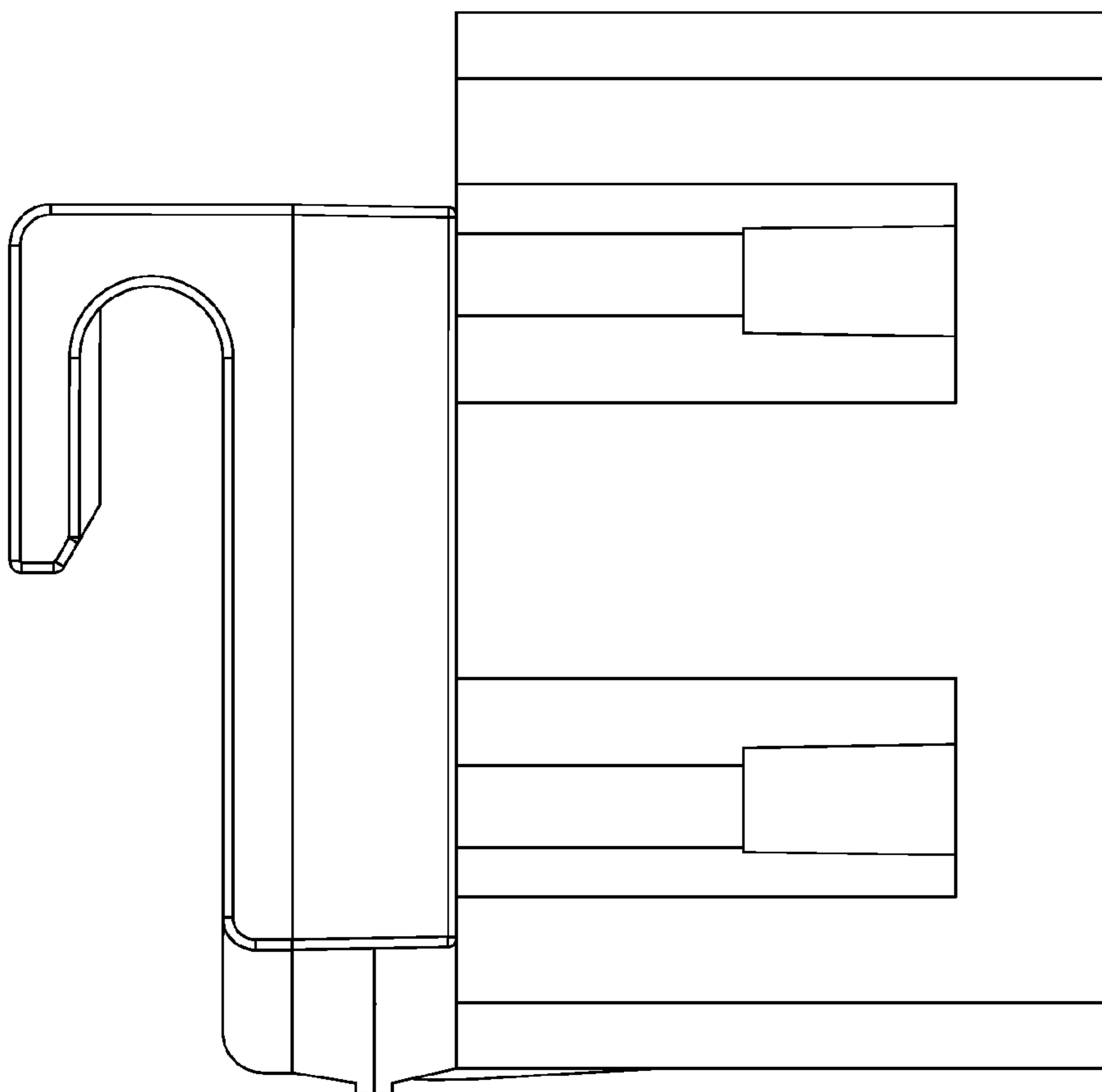


FIG. 18

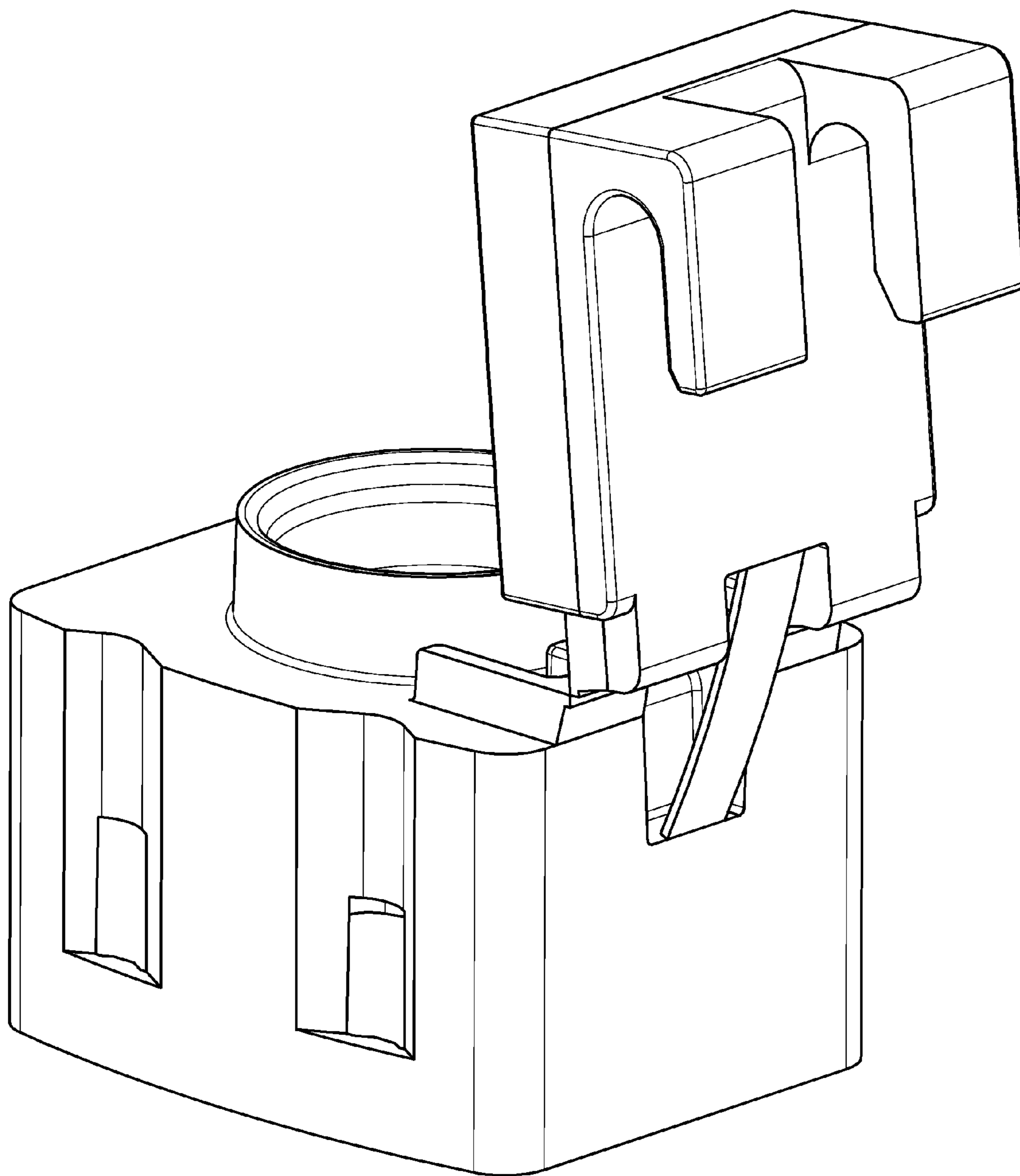


FIG. 21

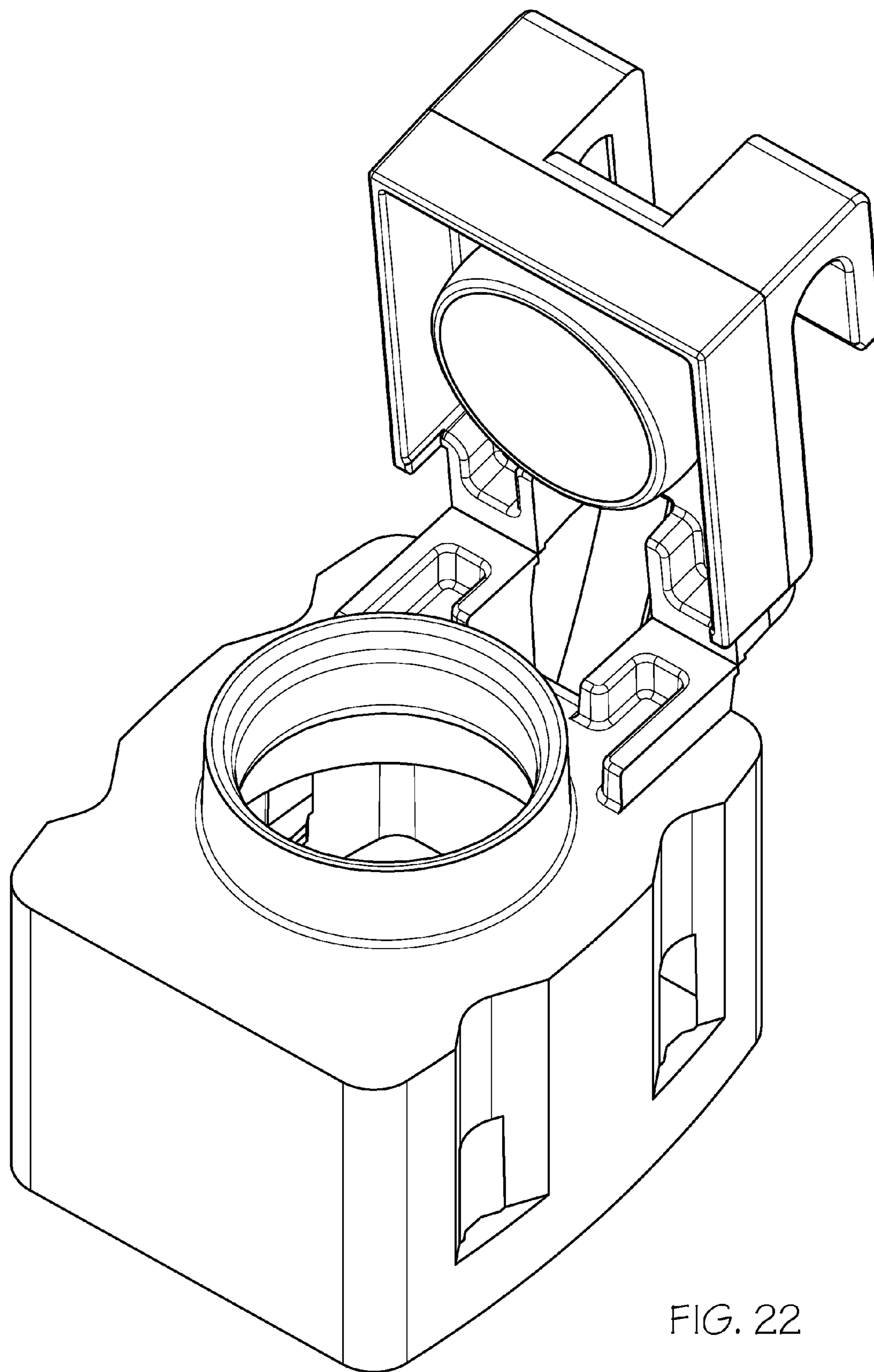


FIG. 22

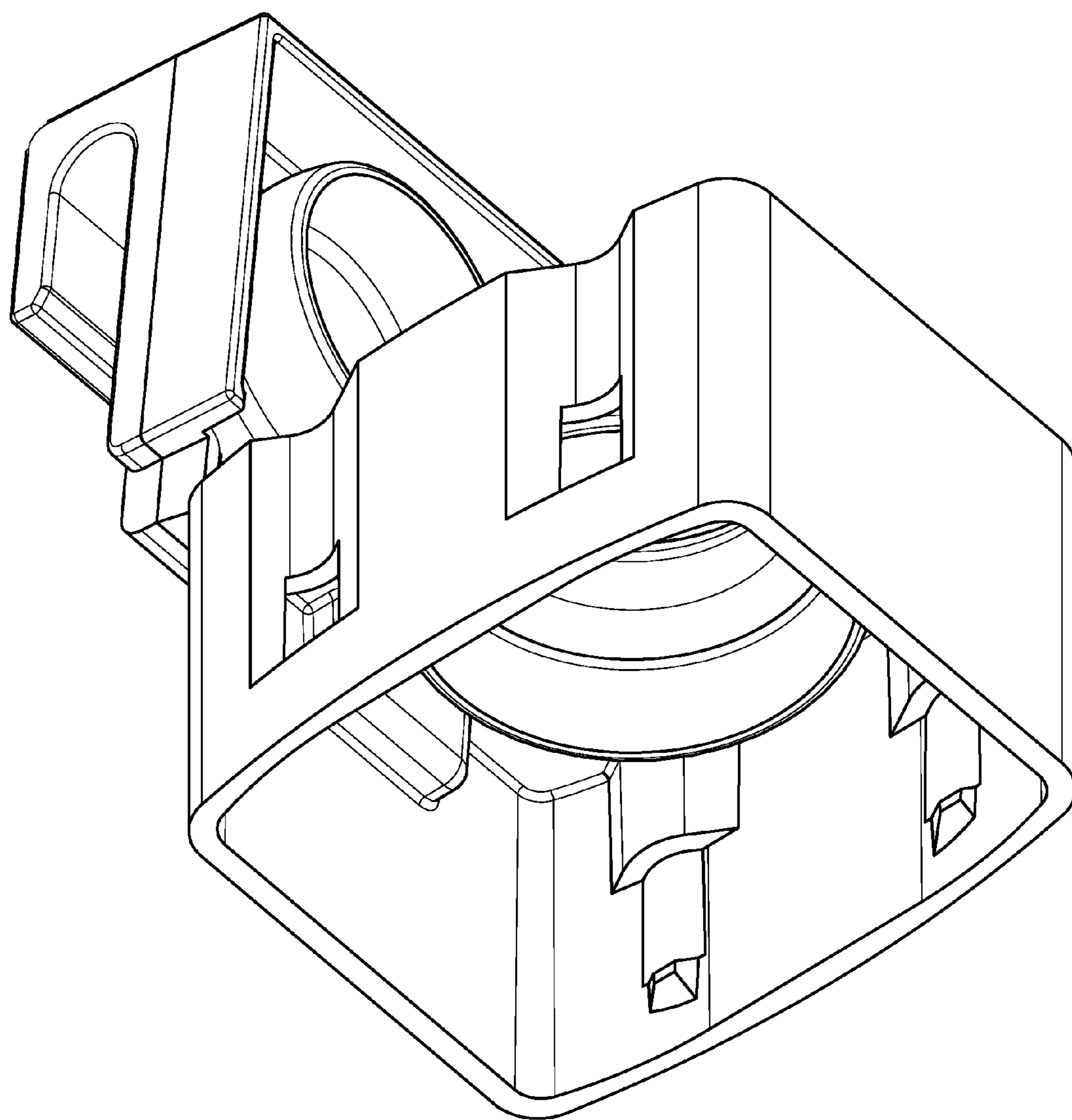


FIG. 23

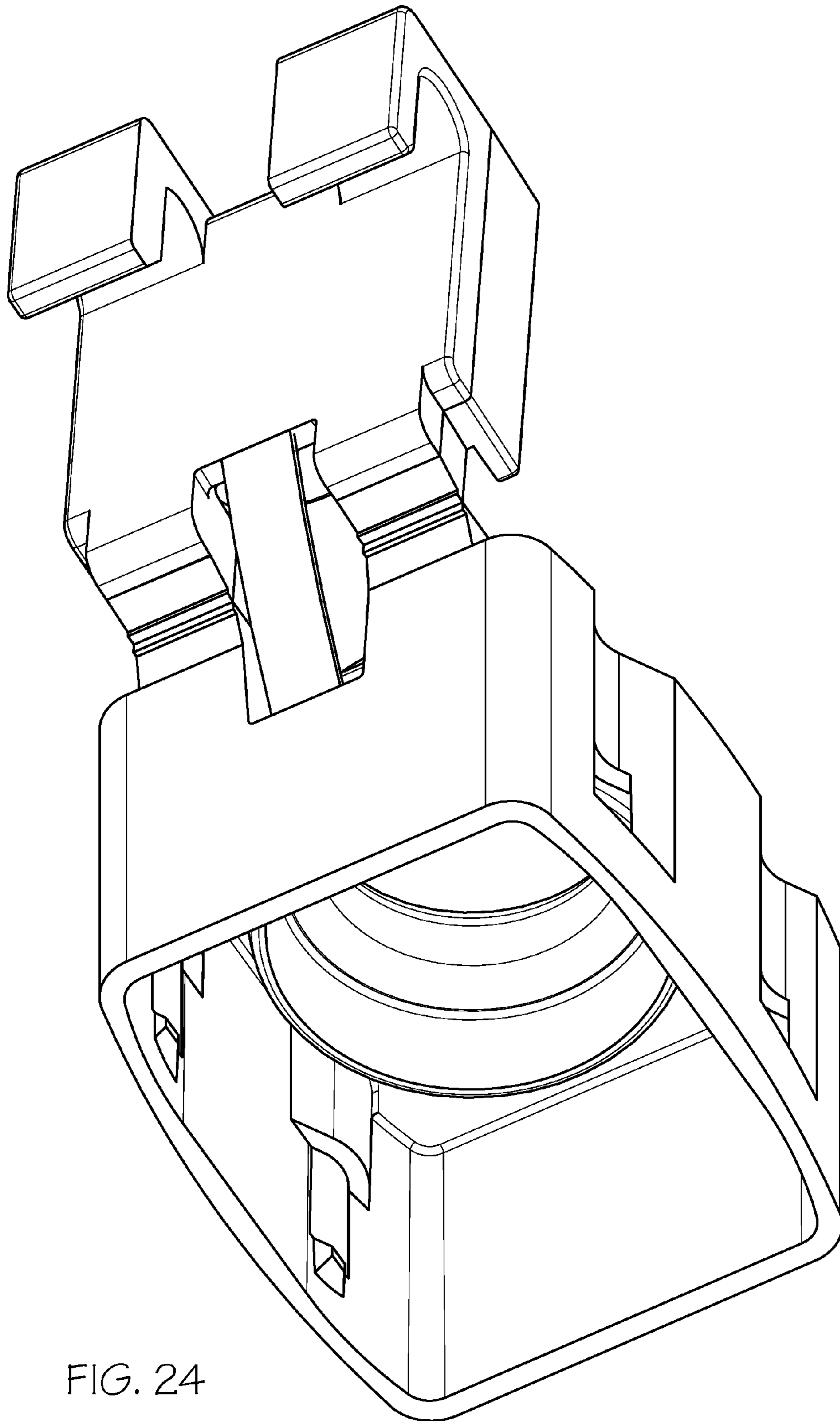


FIG. 24

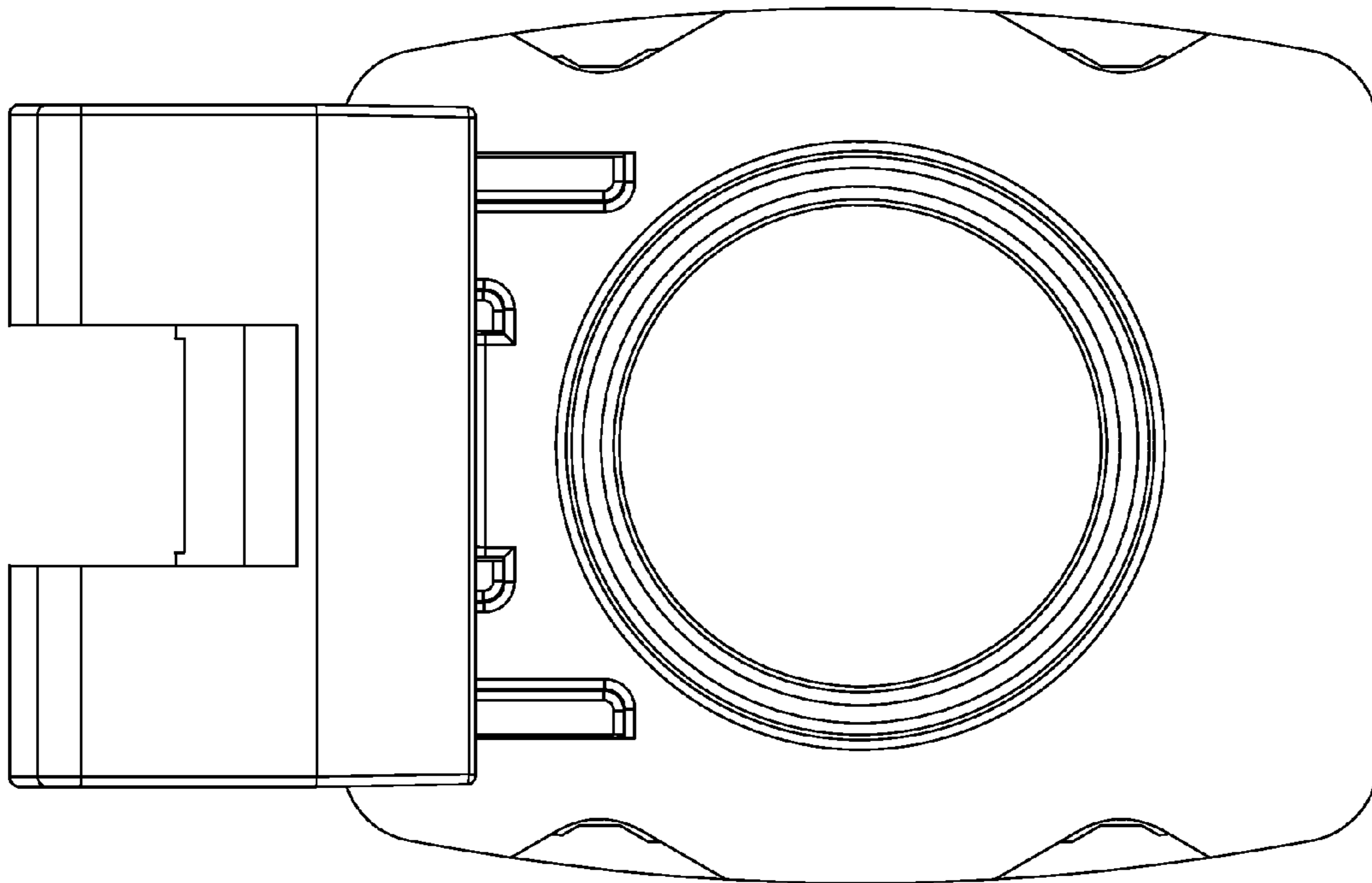


FIG. 30

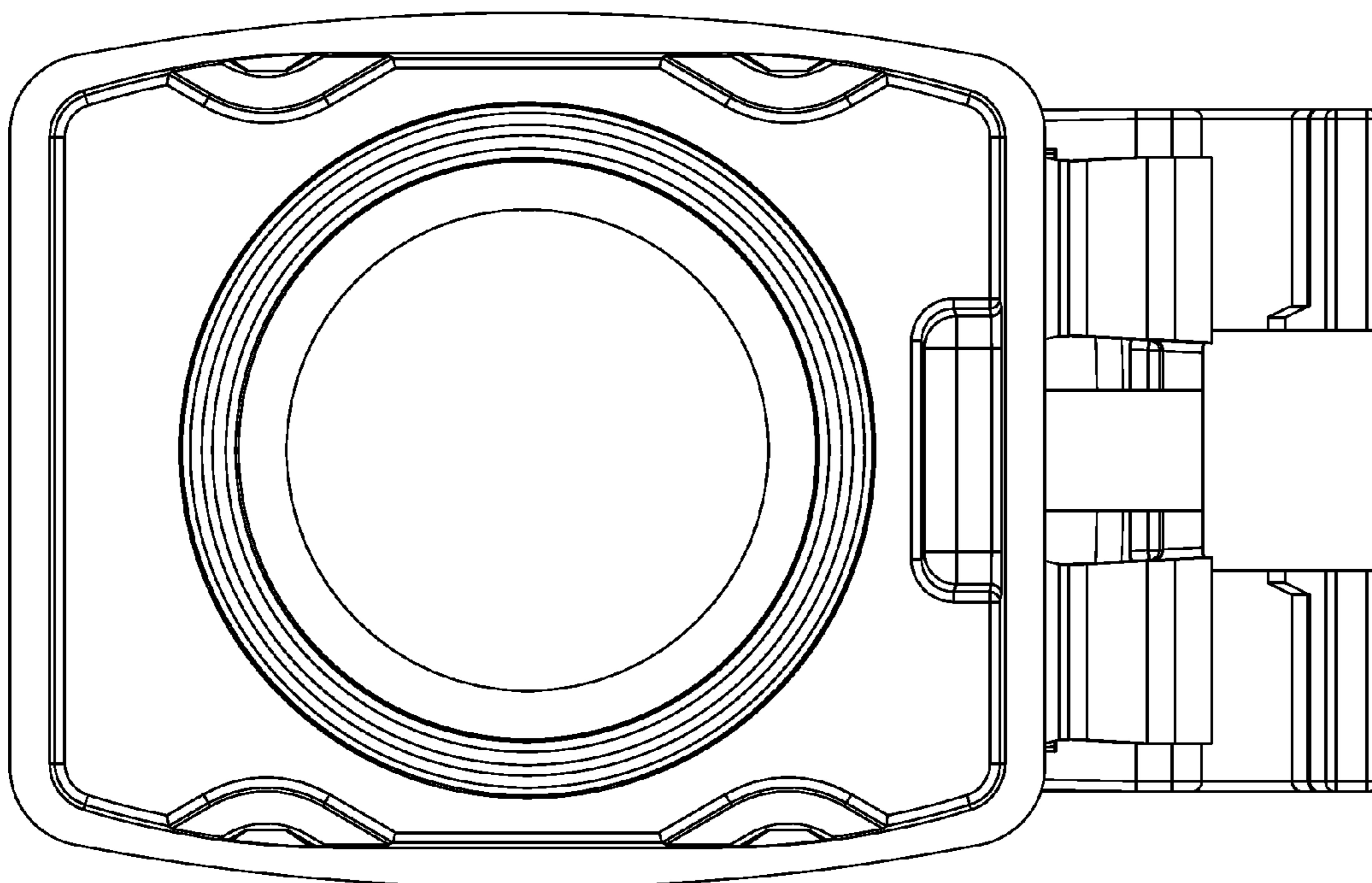


FIG. 25

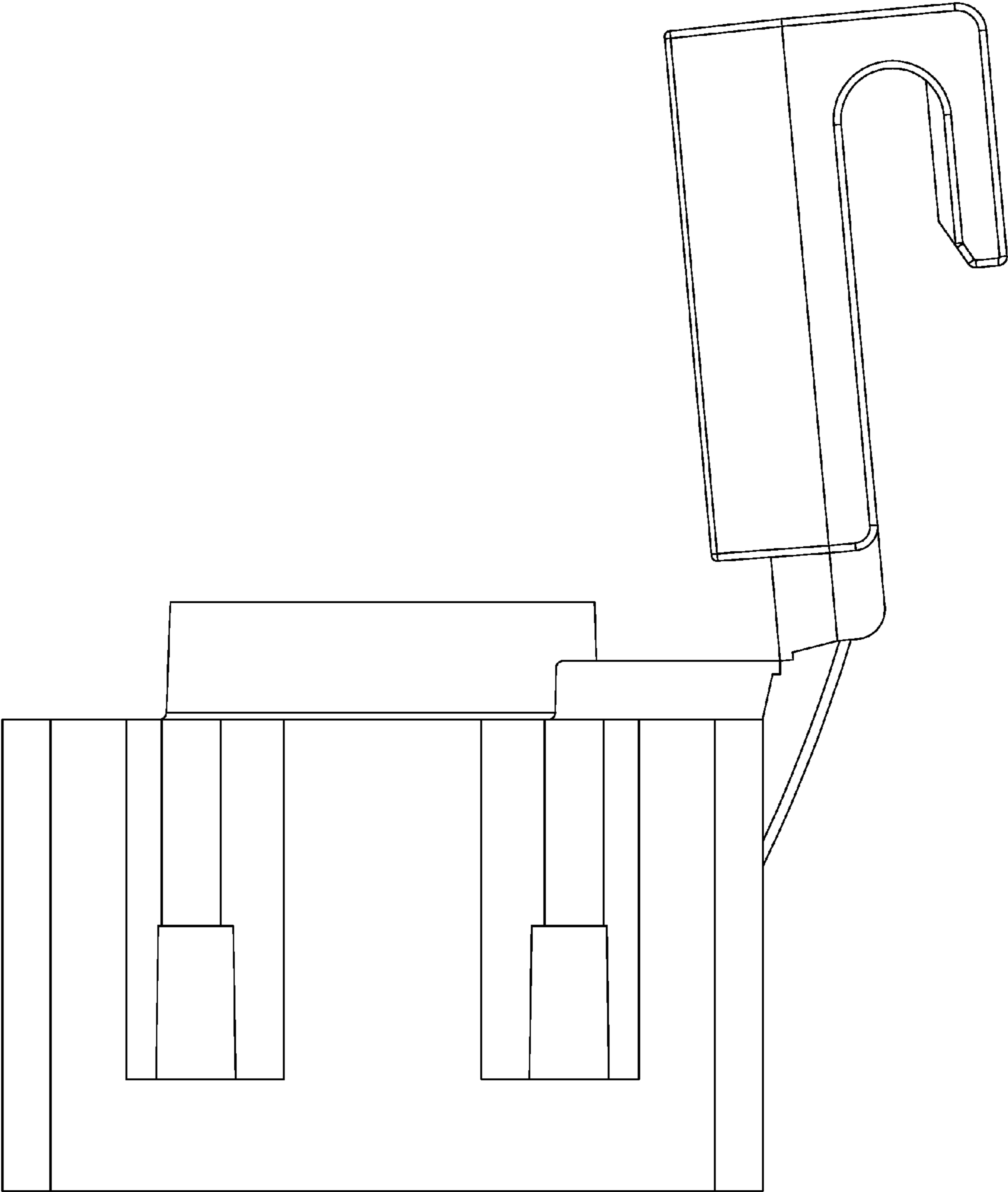


FIG. 26

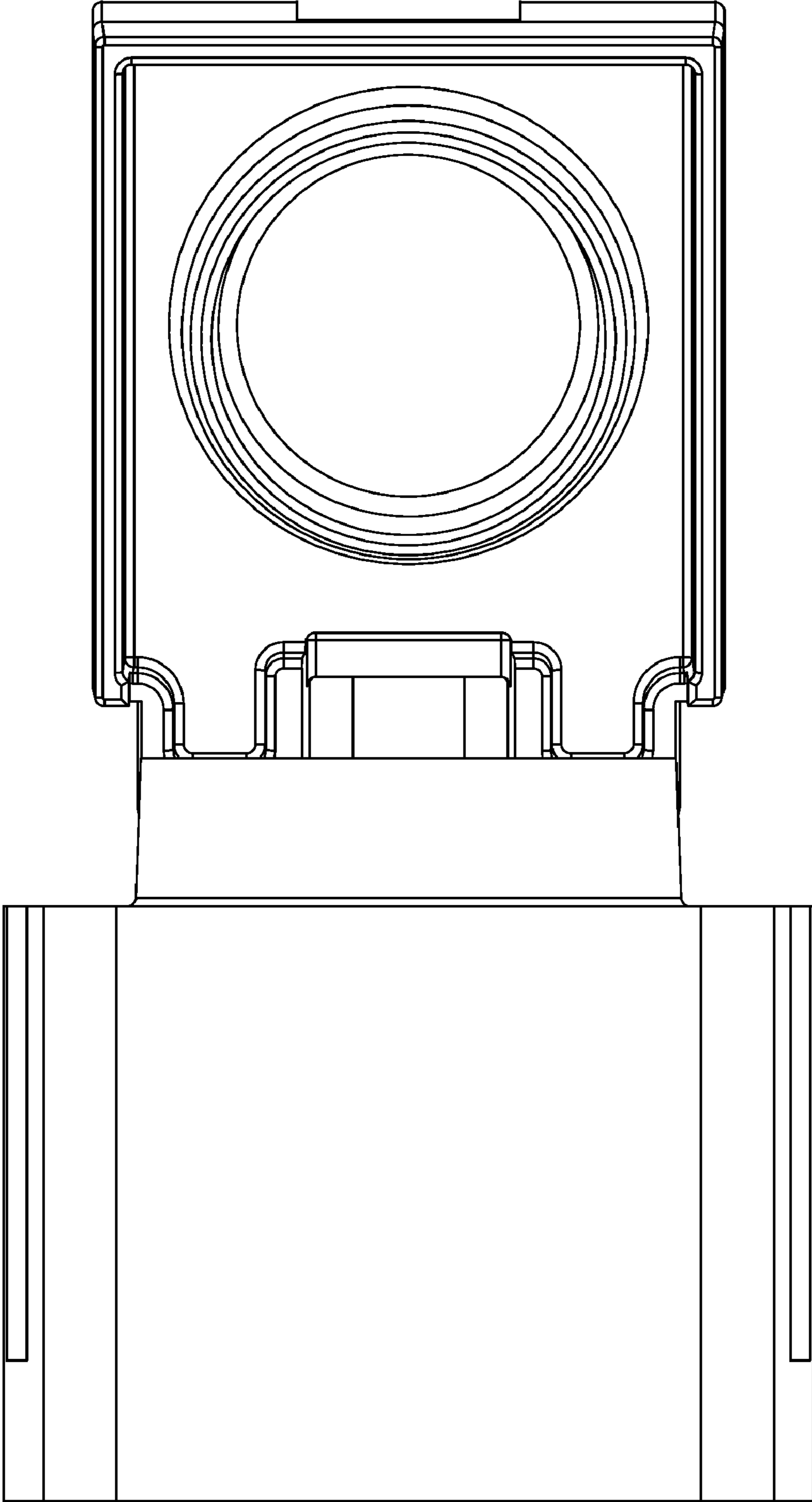


FIG. 27

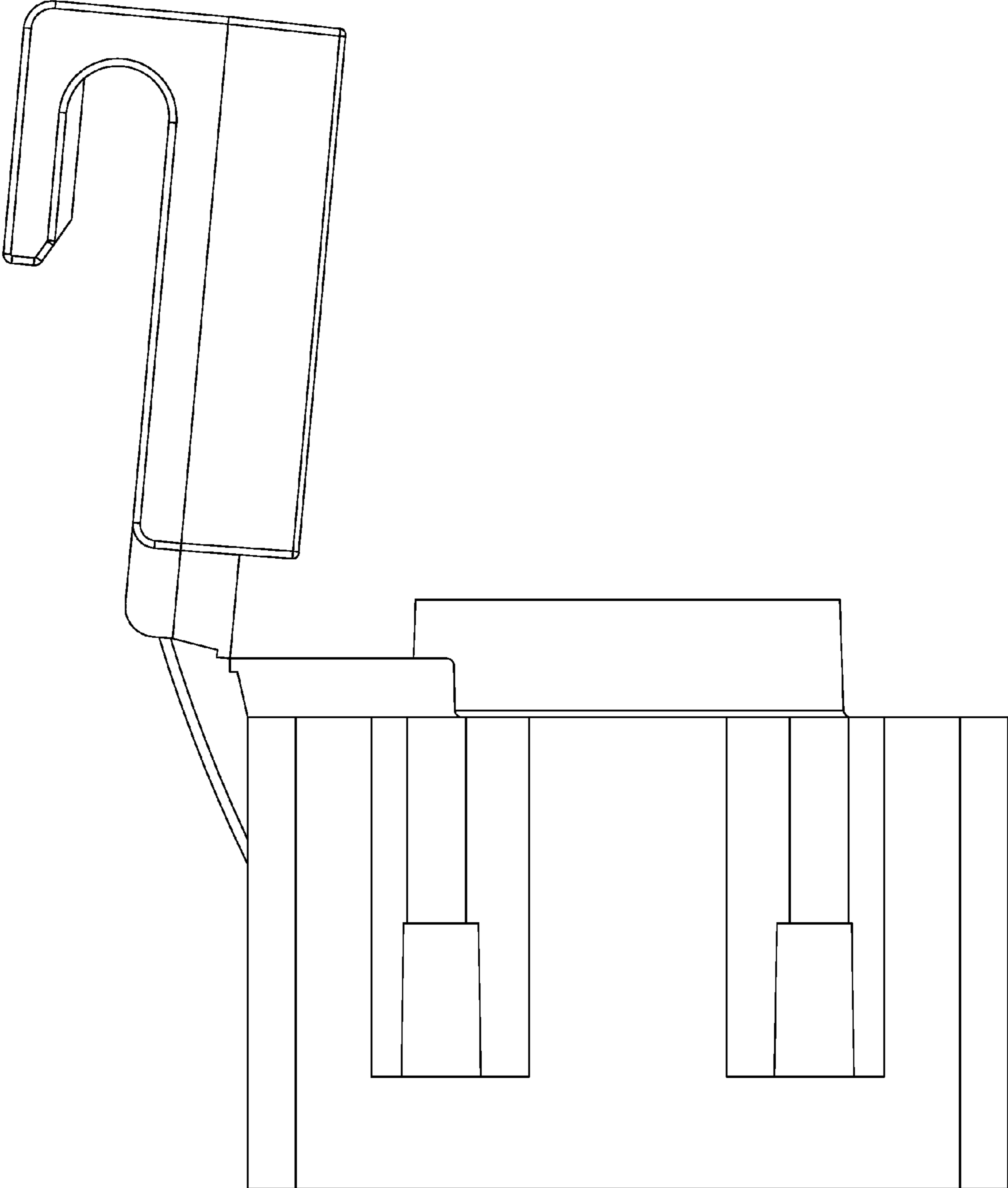


FIG. 28

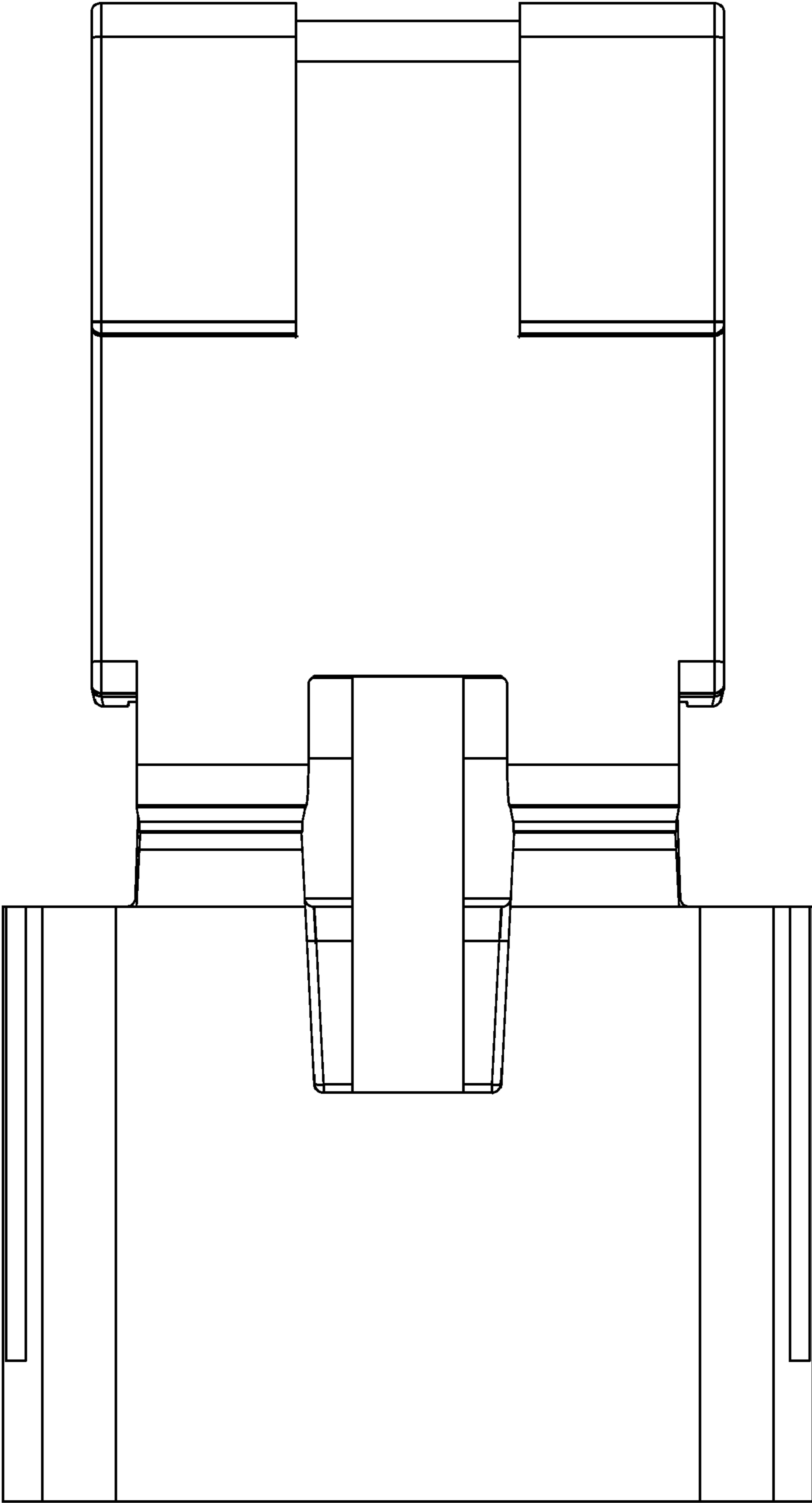


FIG. 29