



US00D637730S

(12) **United States Design Patent**
Oonuma et al.

(10) **Patent No.:** **US D637,730 S**

(45) **Date of Patent:** **** May 10, 2011**

(54) **ISE ANALYTICAL UNIT FOR CLINICAL ANALYZER**

(75) Inventors: **Mitsuru Oonuma**, Tokyo (JP); **Hitoshi Tokieda**, Hitachinaka (JP); **Yoshimitsu Takagi**, Hitachinaka (JP); **Takeshi Shibuya**, Hitachinaka (JP)

(73) Assignee: **Hitachi High-Technologies Corporation**, Tokyo (JP)

(**) Term: **14 Years**

(21) Appl. No.: **29/354,618**

(22) Filed: **Jan. 27, 2010**

(30) **Foreign Application Priority Data**

Aug. 25, 2009 (JP) 2009-019399

(51) **LOC (9) Cl.** **24-01**

(52) **U.S. Cl.** **D24/216**

(58) **Field of Classification Search** D24/216, D24/222-226, 231, 232, 169; D10/81; 422/100, 422/62-67, 68.1; 436/47, 48
See application file for complete search history.

(56) **References Cited**

U.S. PATENT DOCUMENTS

- D330,770 S * 11/1992 Rodomista et al. D24/216
- D339,639 S * 9/1993 Ohnuma et al. D24/232
- D380,551 S * 7/1997 Ohnuma et al. D24/186
- 6,521,183 B1 * 2/2003 Burri et al. 422/65
- D474,416 S * 5/2003 Oonuma et al. D10/81
- D482,796 S * 11/2003 Oyama et al. D24/232

- 6,841,126 B2 * 1/2005 Oonuma et al. 422/64
- D508,999 S * 8/2005 Fanning et al. D24/216
- D523,153 S * 6/2006 Akashi et al. D24/232
- D554,551 S * 11/2007 Ouchi et al. D10/81
- D560,131 S * 1/2008 Hu D10/81
- 2007/0110617 A1 * 5/2007 Nagai et al. 422/65

FOREIGN PATENT DOCUMENTS

JP D1241032 5/2005

* cited by examiner

Primary Examiner — T. Chase Nelson

Assistant Examiner — Anhdao Doan

(74) *Attorney, Agent, or Firm* — Antonelli, Terry, Stout & Kraus, LLP.

(57) **CLAIM**

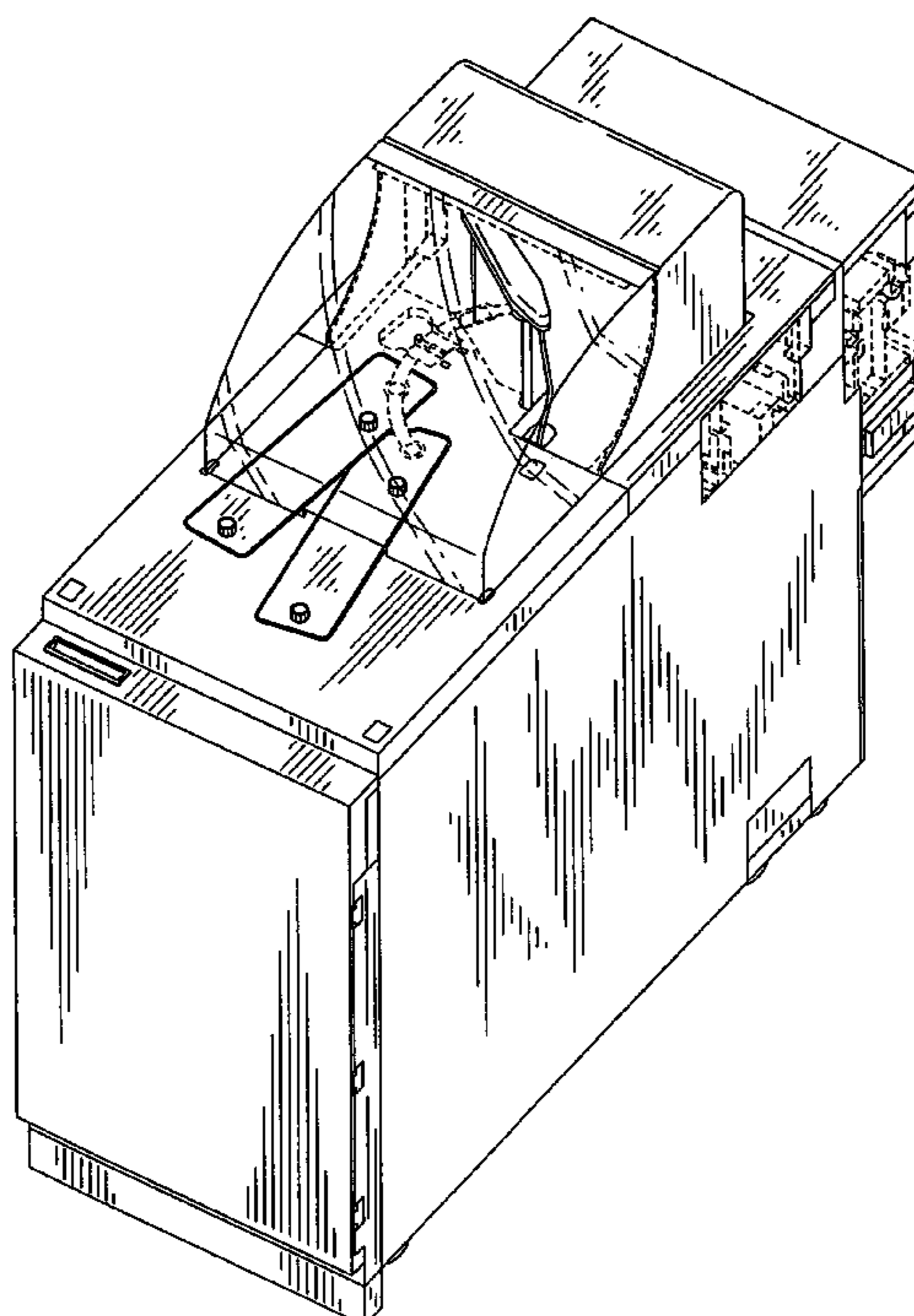
We claim the ornamental design for an ISE analytical unit for clinical analyzer, as shown and described.

DESCRIPTION

FIG. 1 is a front, top and right side perspective view of an ISE analytical unit for clinical analyzer showing our new design; FIG. 2 is a front elevational view thereof; FIG. 3 is a rear elevational view thereof; FIG. 4 is a left side elevational view thereof; FIG. 5 is a right side elevational view thereof; FIG. 6 is a top plan view thereof; and, FIG. 7 is a bottom plan view thereof.

The broken lines in the drawing views are included for the purpose of illustrating portions of the ISE analytical unit for clinical analyzer that form no part of the claimed design.

1 Claim, 5 Drawing Sheets



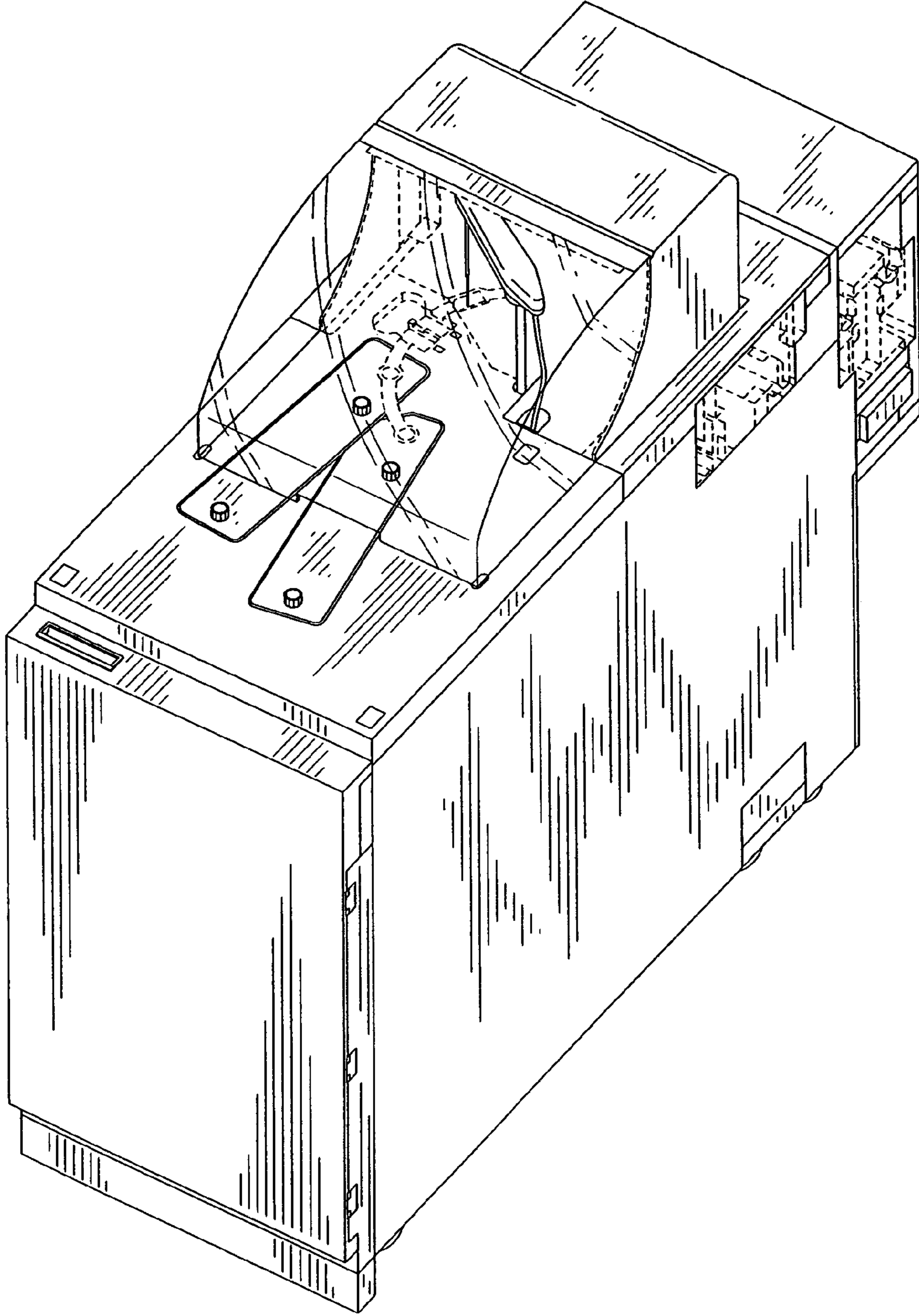


FIG. 1

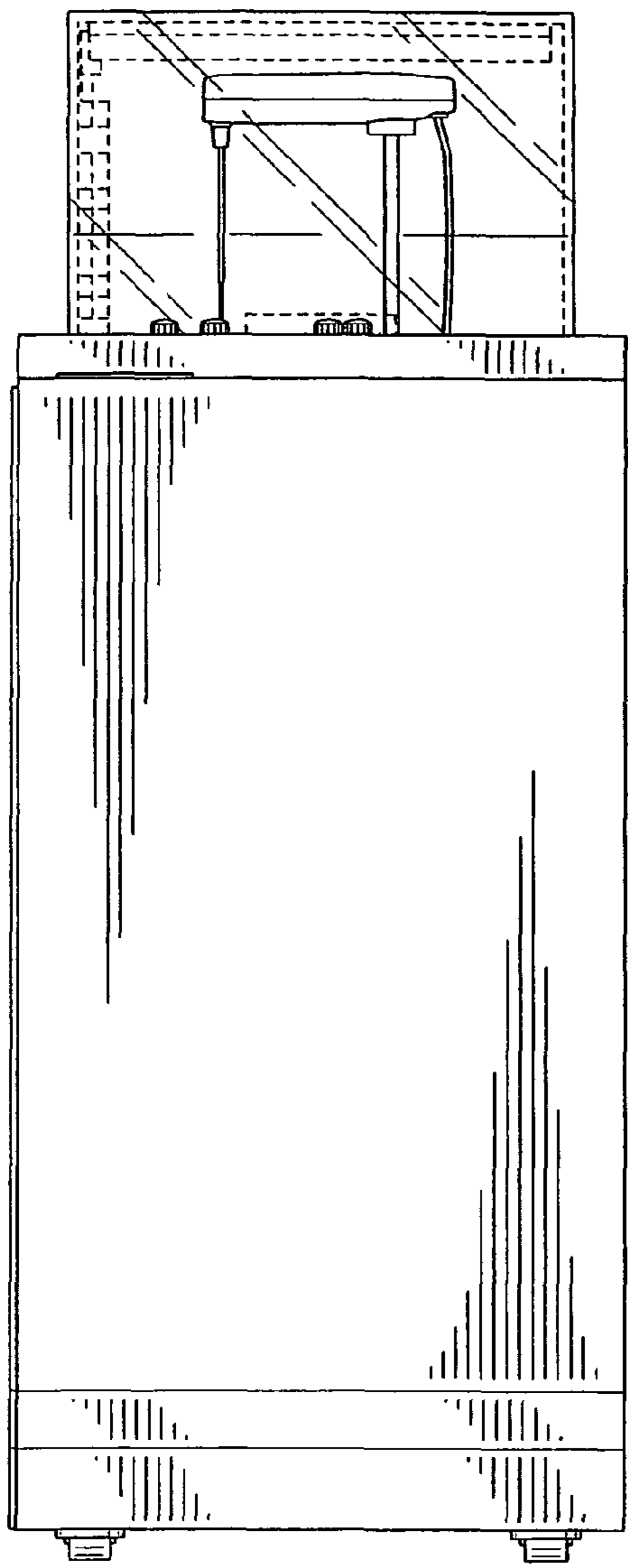


FIG. 2

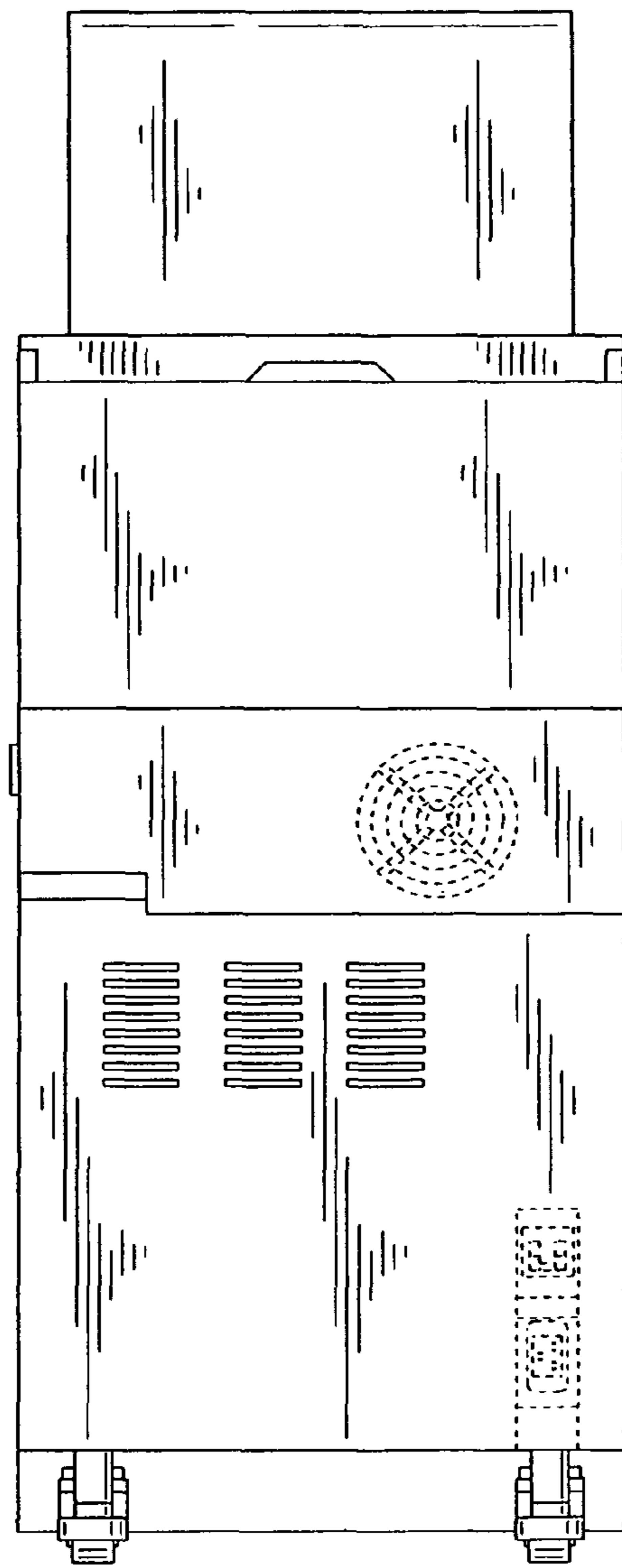


FIG. 3

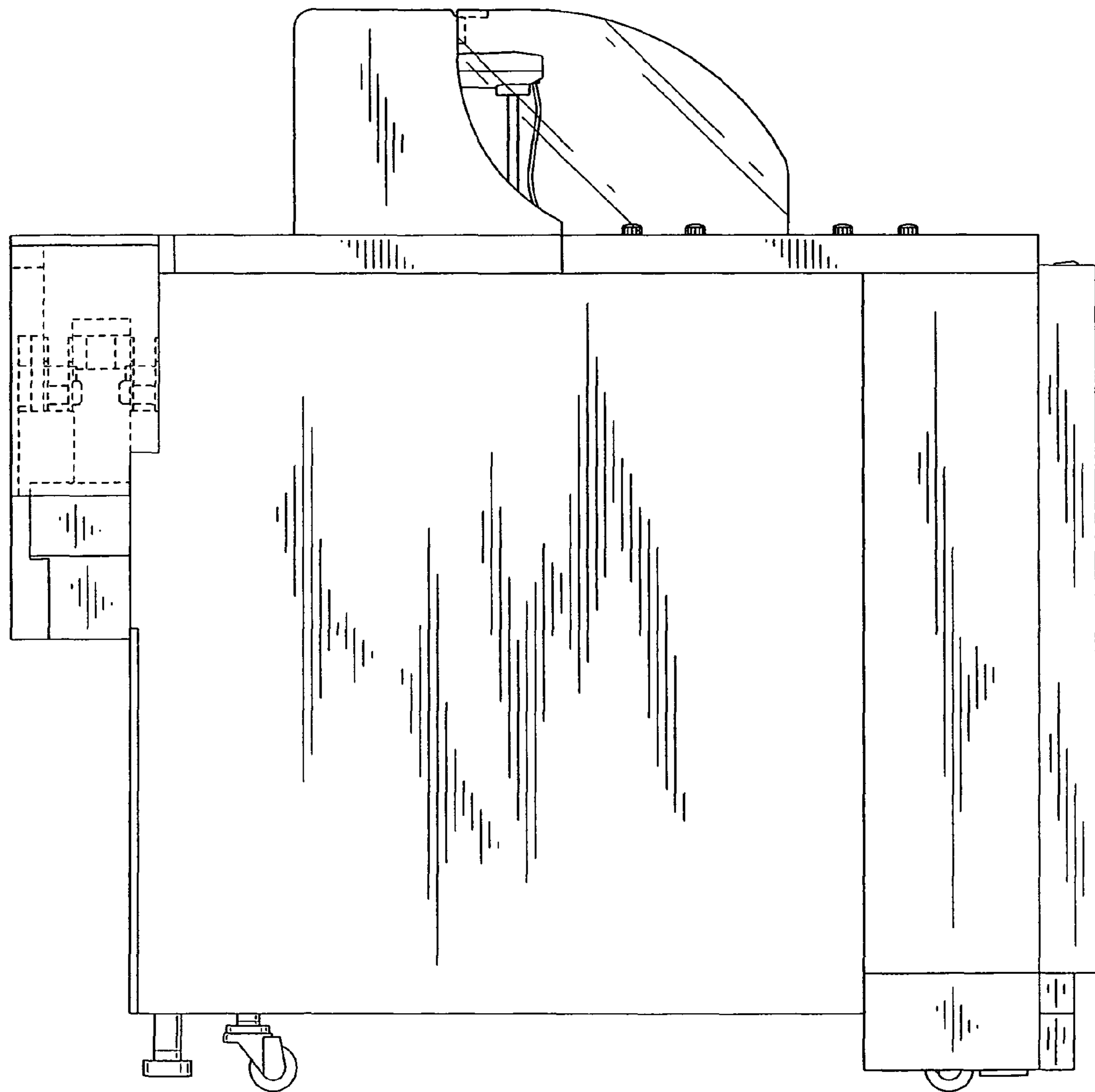


FIG. 4

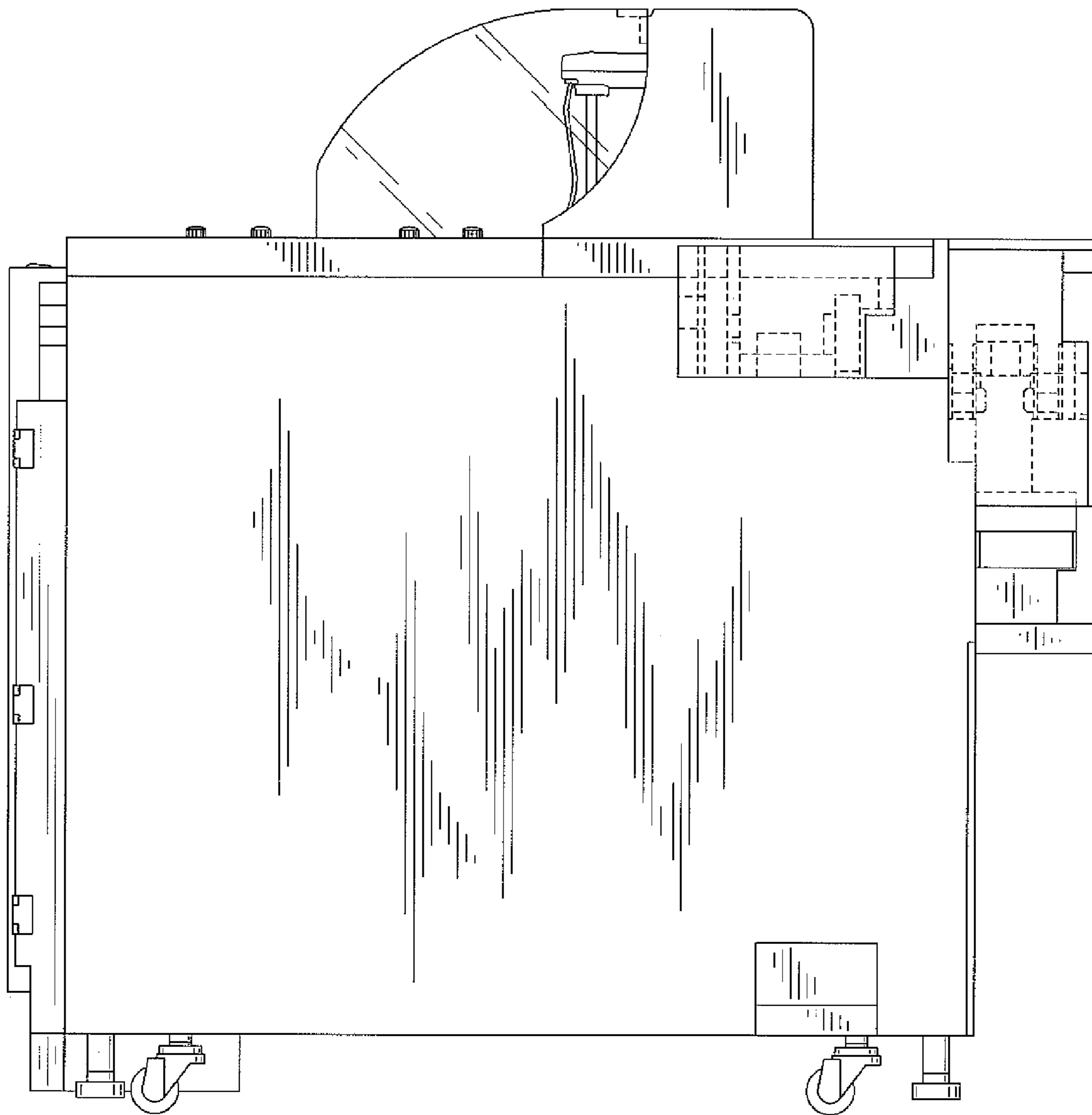


FIG. 5

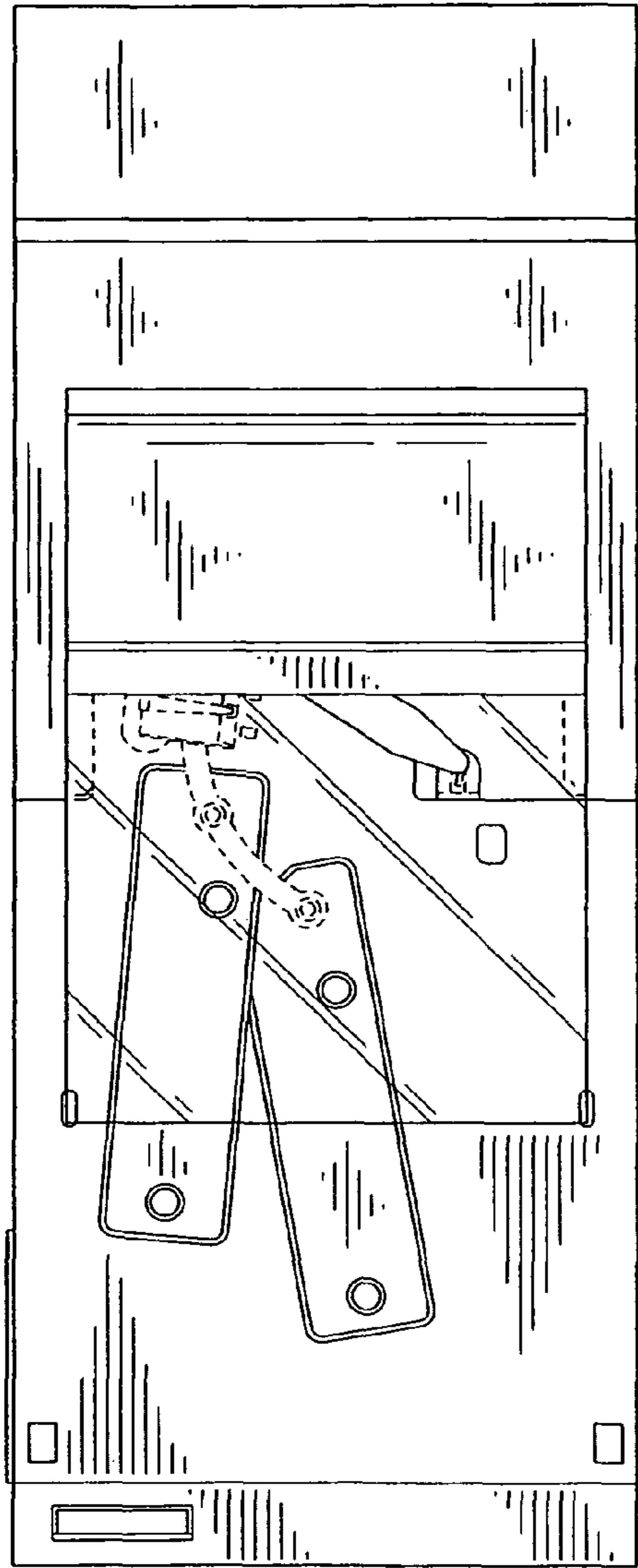


FIG. 6

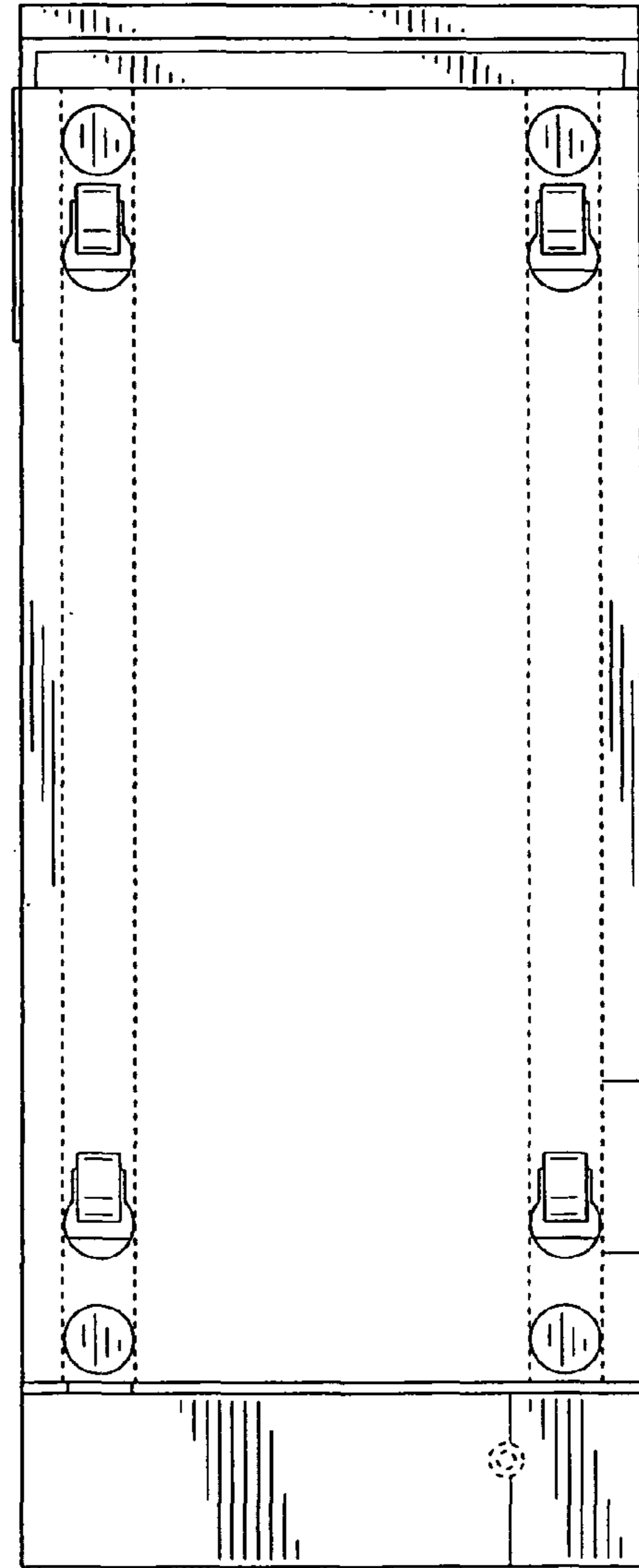


FIG. 7