



US00D637727S

(12) **United States Design Patent**
Kurosu et al.

(10) **Patent No.:** **US D637,727 S**

(45) **Date of Patent:** **** May 10, 2011**

(54) **MESSAGE ROLLER**

(75) Inventors: **Fumio Kurosu**, Chigasaki (JP); **Shinichi Hattori**, Tokyo (JP)

(73) Assignee: **Homare Co., Ltd.**, Chiba (JP)

(**) Term: **14 Years**

(21) Appl. No.: **29/312,388**

(22) Filed: **Oct. 17, 2008**

(30) **Foreign Application Priority Data**

Apr. 28, 2008 (JP) 2008-010926

(51) **LOC (9) Cl.** **24-02**

(52) **U.S. Cl.** **D24/211**

(58) **Field of Classification Search** D24/200,
D24/211-215; 601/11, 12, 15, 19, 40, 46,
601/52, 63, 94, 104, 107, 111, 118, 119,
601/121, 122, 128, 129, 134, 135, 136, 137,
601/138; 600/38, 39; D4/104-112, 122;
15/25-27, 230.11

See application file for complete search history.

(56) **References Cited**

U.S. PATENT DOCUMENTS

1,351,159	A *	8/1920	Cavileer et al.	D4/109
1,890,147	A *	12/1932	Cotti	26/31
D101,862	S *	11/1936	Fehn et al.	D24/212
D138,340	S *	7/1944	Cox	D24/212
D166,427	S *	4/1952	Strock	D4/109
D202,085	S *	8/1965	Tasker	D24/212
D226,875	S *	5/1973	Haworth	D24/211
4,167,940	A *	9/1979	Ruf	601/122
D263,623	S *	3/1982	Conn, Sr.	D24/211

4,427,001	A *	1/1984	Kiefer et al.	601/17
D273,432	S *	4/1984	Jacobson	D4/122
D277,030	S *	1/1985	Conn, Sr.	D24/211
D346,450	S *	4/1994	Bruno	D24/212
D418,227	S *	12/1999	O'Connor	D24/211
6,315,742	B1 *	11/2001	Howard	601/125
6,419,650	B1 *	7/2002	Ryan et al.	601/122
6,471,300	B1 *	10/2002	Tomiyama	300/21
D527,830	S *	9/2006	Chien	D24/211
D573,262	S *	7/2008	Soucy	D24/211
D605,778	S *	12/2009	Moon	D24/212
2006/0265823	A1 *	11/2006	Knopow et al.	15/27

FOREIGN PATENT DOCUMENTS

JP	D1135541	1/2002
JP	U3087105	4/2002

* cited by examiner

Primary Examiner — Cathron C Brooks

Assistant Examiner — Melanie Levy

(74) *Attorney, Agent, or Firm* — Konomi Takeshita

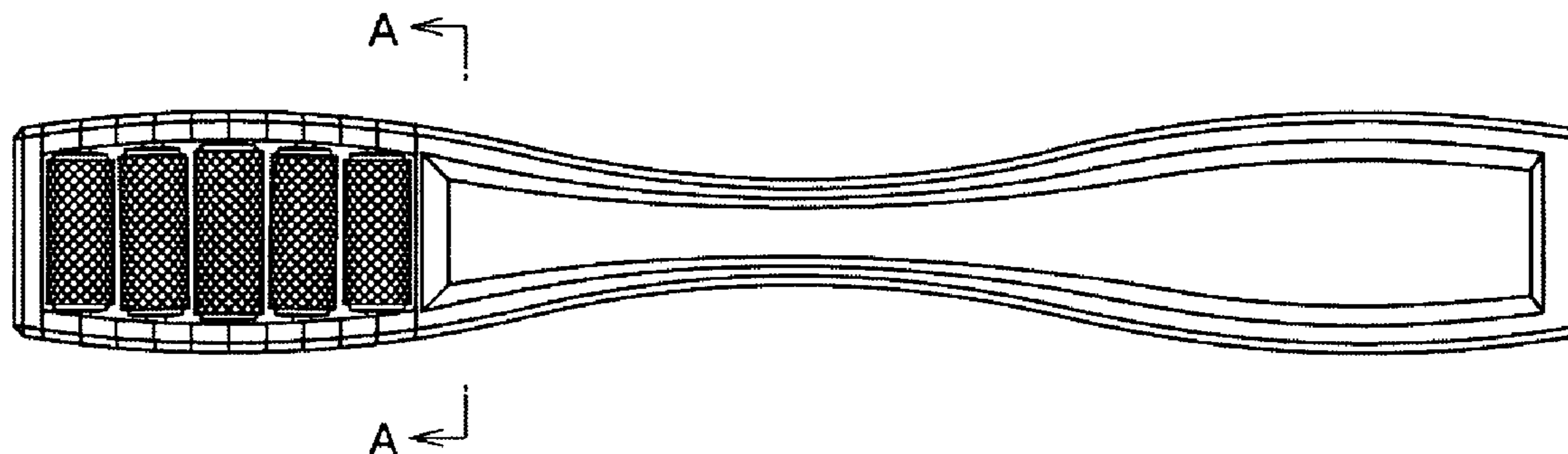
(57) **CLAIM**

The ornamental design for a massage roller, as shown.

DESCRIPTION

FIG. 1 is a front elevational view drawing of a massage roller, showing our new design;
FIG. 2 is rear elevational view thereof;
FIG. 3 is a top plan view thereof;
FIG. 4 is a bottom plan view thereof;
FIG. 5 is a right elevational view thereof;
FIG. 6 is a left elevational view thereof;
FIG. 7 is a front/left/bottom perspective view thereof; and,
FIG. 8 is an enlarged, front elevational view of the portion indicated by line 'A—A' in FIG. 1.

1 Claim, 4 Drawing Sheets



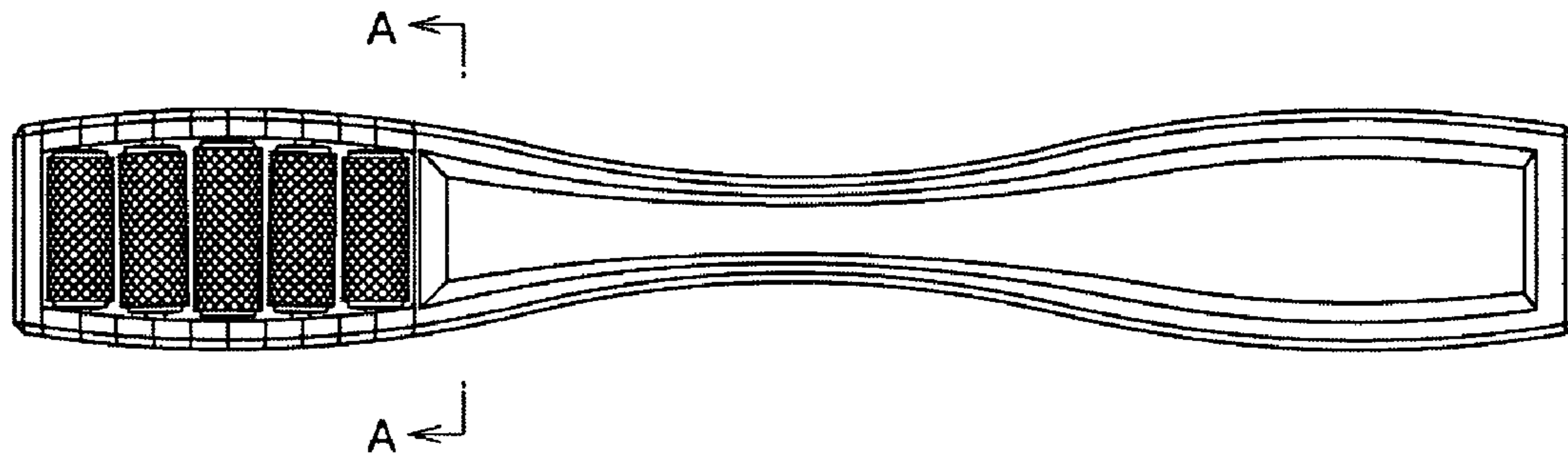


FIG.1

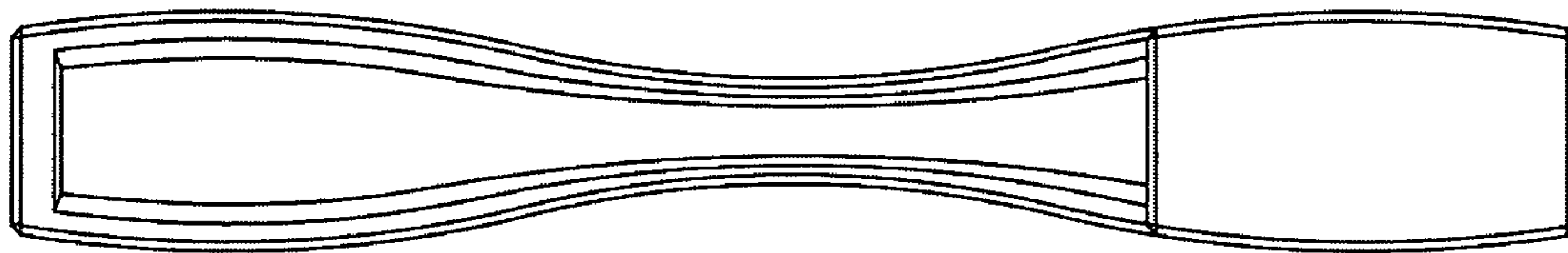


FIG.2

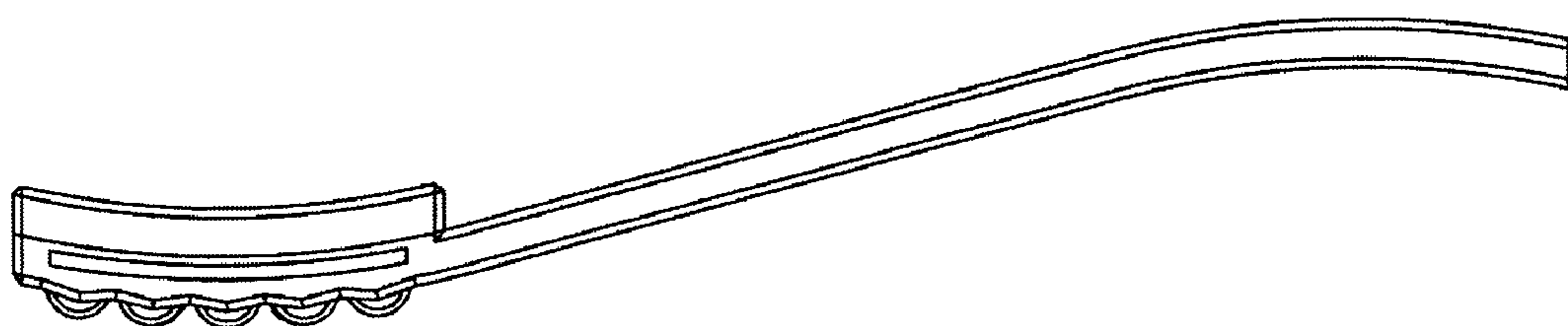


FIG. 3

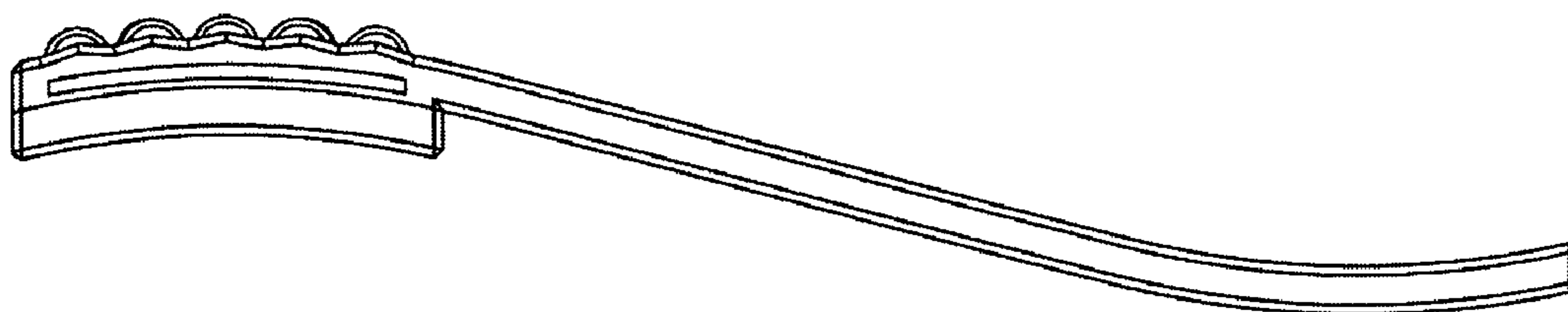


FIG. 4

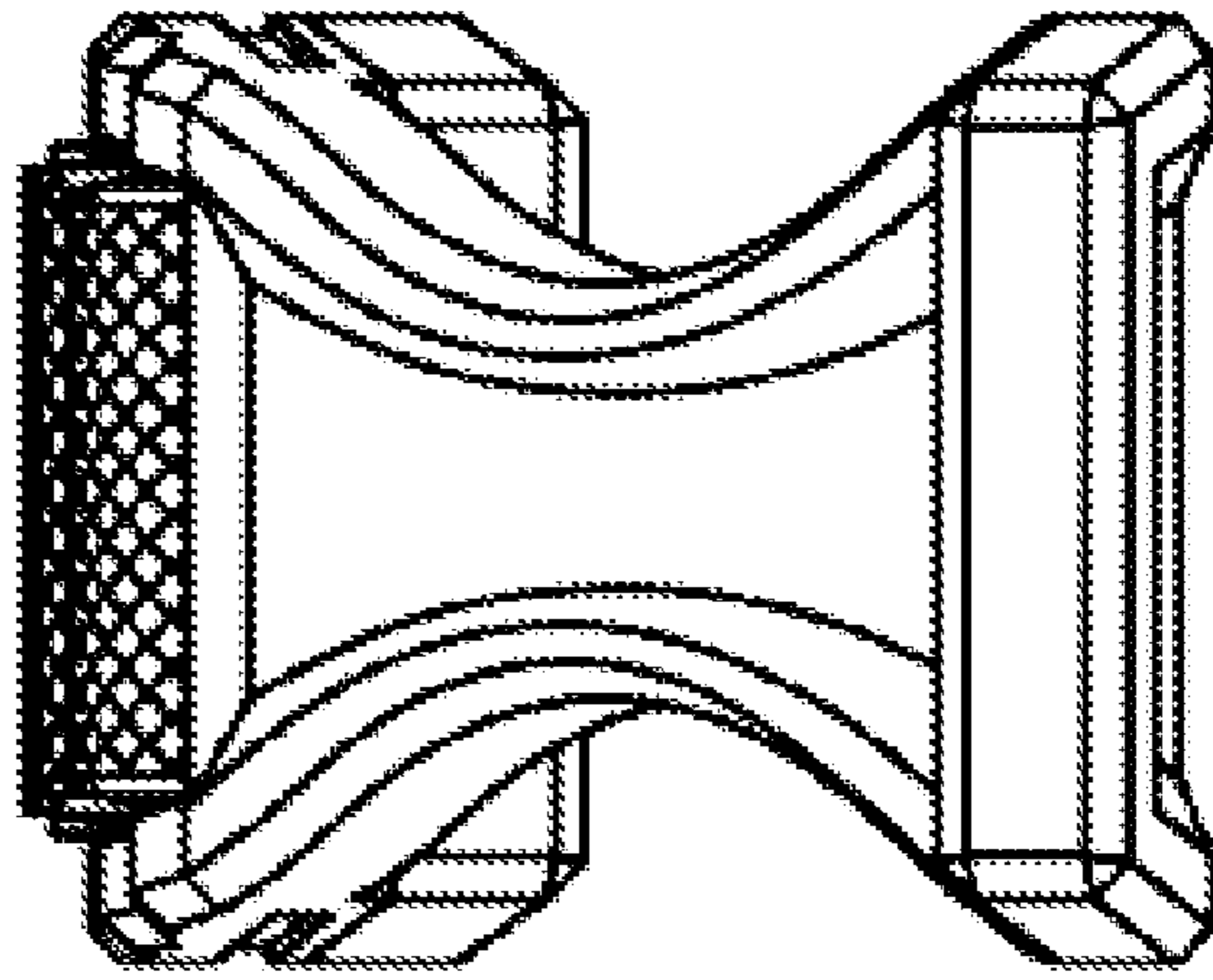


FIG. 5

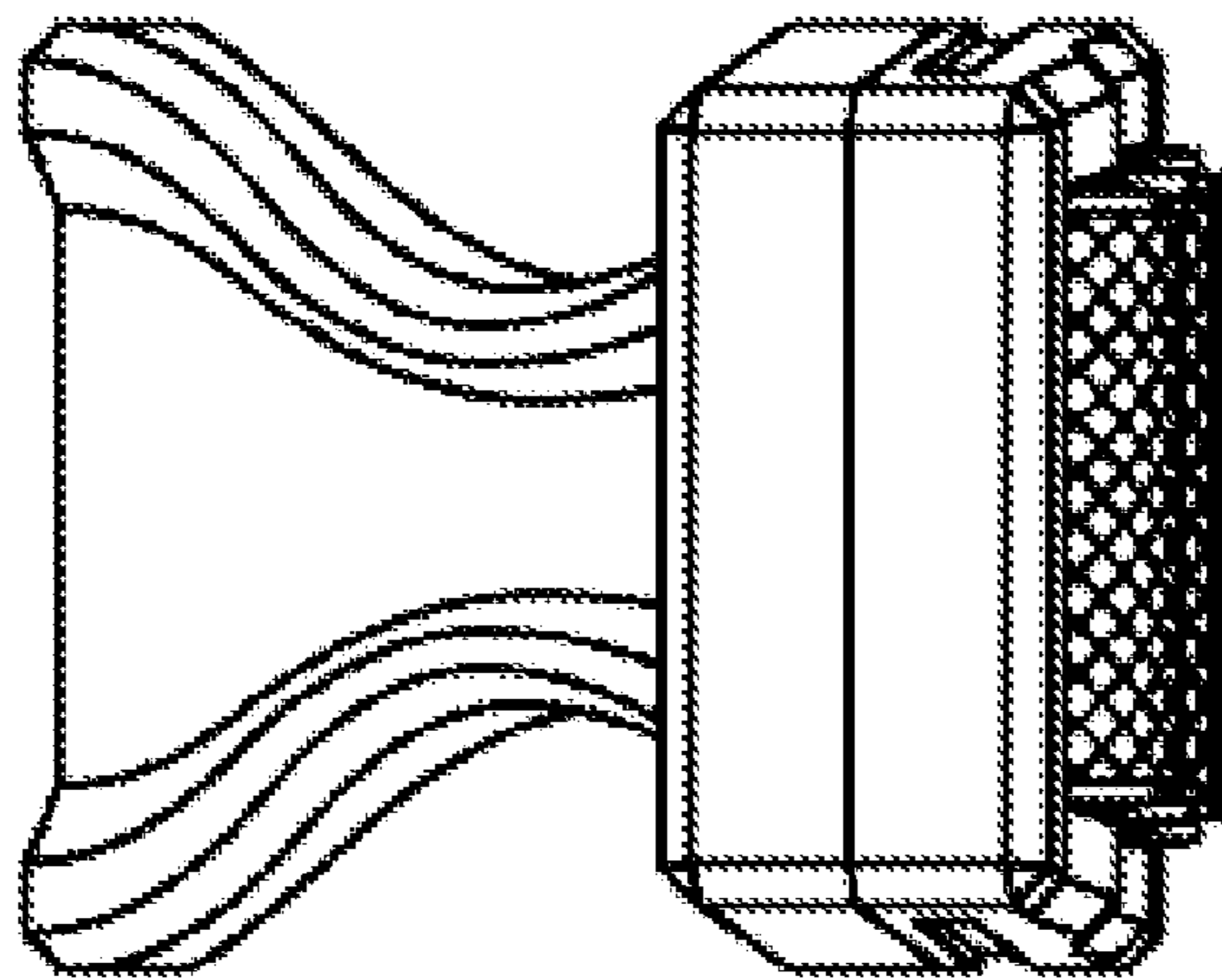


FIG. 6

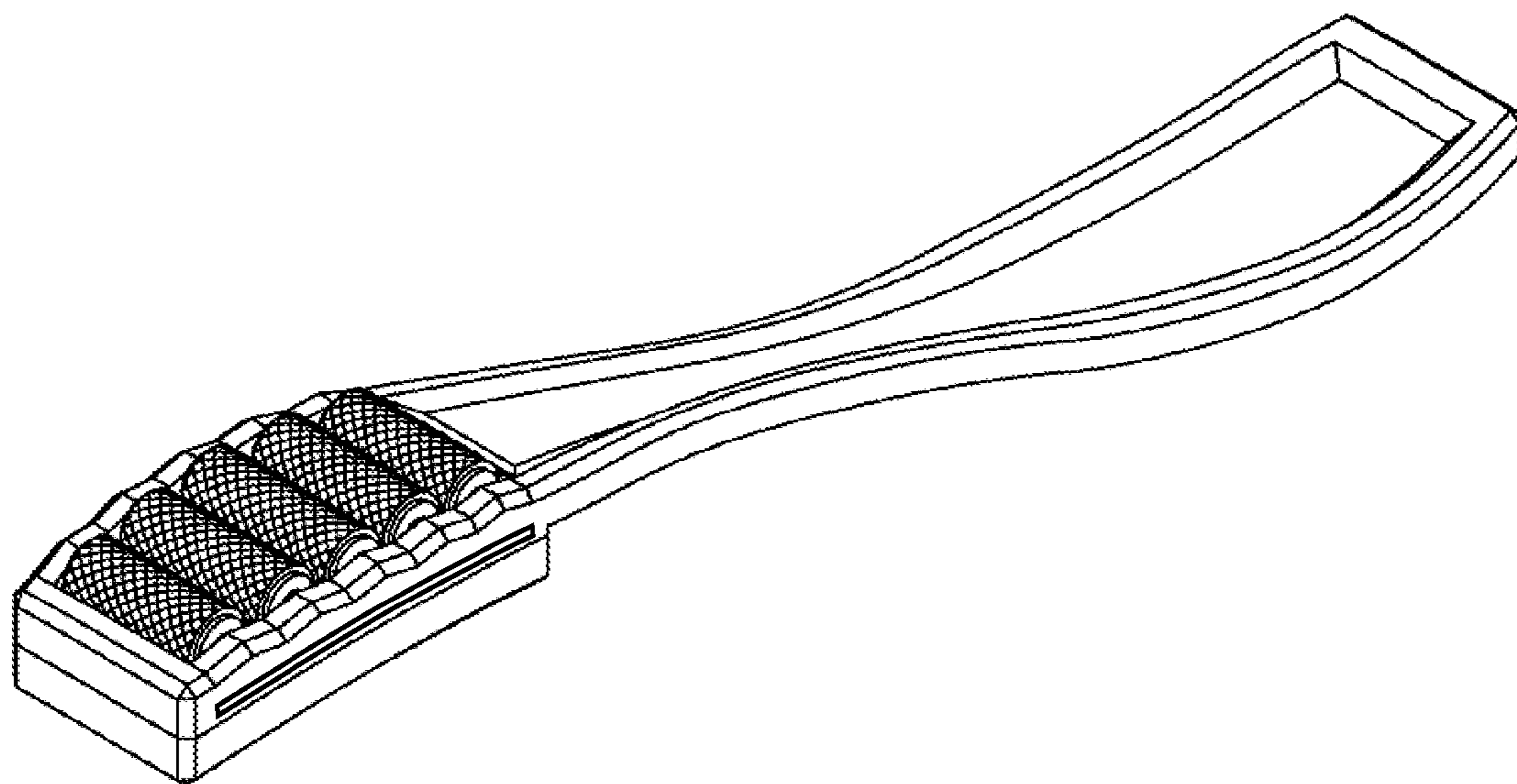


FIG. 7

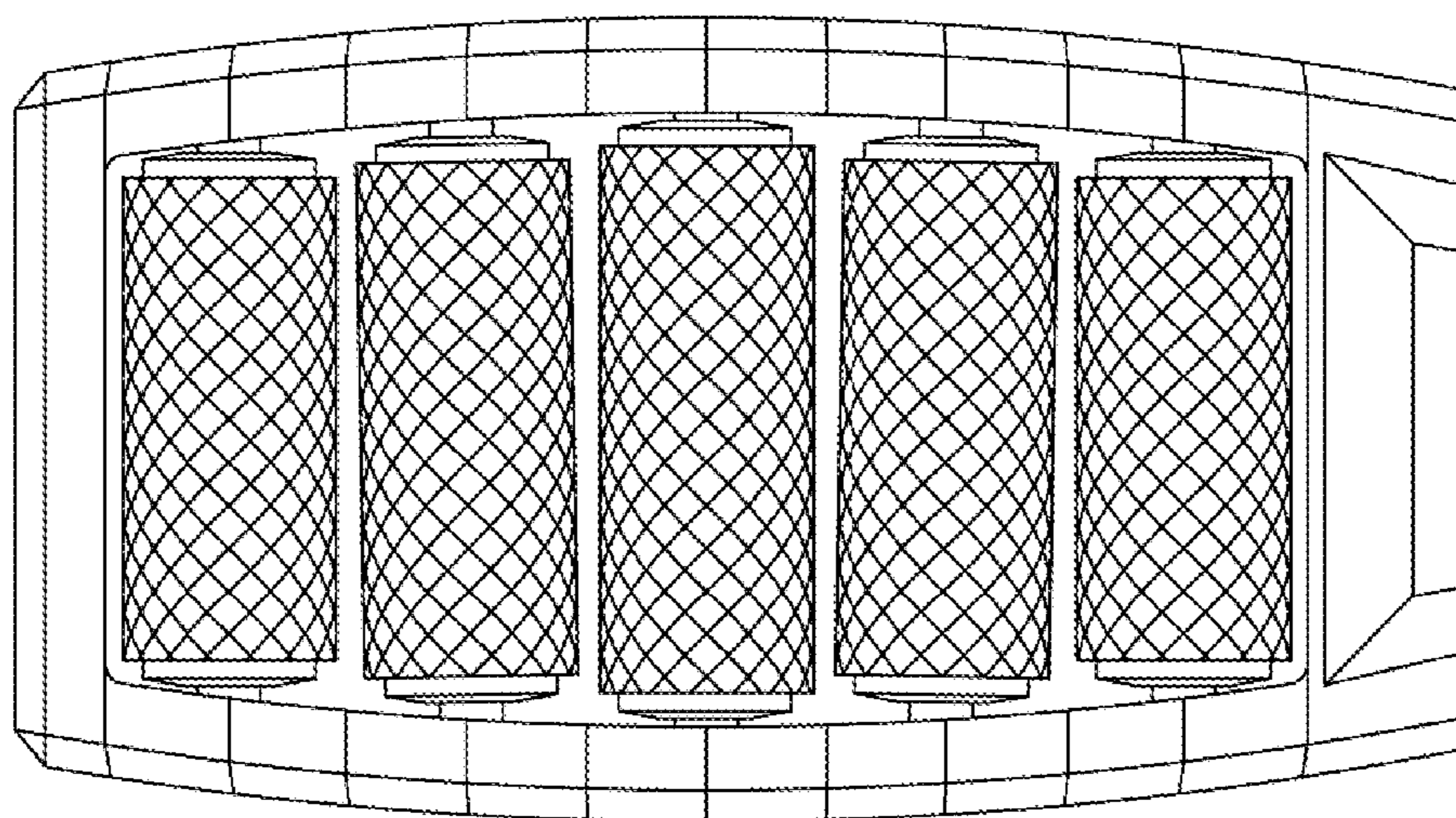


FIG. 8