



US00D637719S

(12) **United States Design Patent**
Eisenkolb

(10) **Patent No.:** **US D637,719 S**

(45) **Date of Patent:** **** May 10, 2011**

(54) **OPTICAL CUBE**

(75) **Inventor:** **Peter Eisenkolb**, Tuttlingen (DE)

(73) **Assignee:** **Karl Storz GmbH & Co. KG** (DE)

(**) **Term:** **14 Years**

(21) **Appl. No.:** **29/364,307**

(22) **Filed:** **Jun. 22, 2010**

(30) **Foreign Application Priority Data**

Dec. 22, 2009 (EM) 001651142-0016

(51) **LOC (9) Cl.** **24-02**

(52) **U.S. Cl.** **D24/138**

(58) **Field of Classification Search** D24/138,
D24/137, 133; 600/101-183

See application file for complete search history.

(56) **References Cited**

U.S. PATENT DOCUMENTS

D286,566	S *	11/1986	Vukovic	D24/138
4,656,999	A *	4/1987	Storz	600/104
5,792,045	A *	8/1998	Adair	600/125
6,245,011	B1 *	6/2001	Dudda et al.	600/104
6,398,723	B1 *	6/2002	Kehr et al.	600/160
D463,553	S *	9/2002	Topala	D24/138
6,641,531	B2 *	11/2003	Kehr	600/172
6,743,166	B2 *	6/2004	Berci et al.	600/120
D533,941	S *	12/2006	Furst et al.	D24/138
D534,276	S *	12/2006	Michel	D24/138
D536,790	S *	2/2007	Michel et al.	D24/137
D548,340	S *	8/2007	Michel et al.	D24/138
D583,470	S *	12/2008	Kupferschmid	D24/138

D585,923	S *	2/2009	Berci	D16/130
D598,099	S *	8/2009	Halbig	D24/138
D611,599	S *	3/2010	Eisenkolb	D24/138
D611,600	S *	3/2010	Stammberger et al.	D24/138
D612,047	S *	3/2010	Nagele et al.	D24/138
D612,497	S *	3/2010	Berci	D24/138
7,722,531	B1 *	5/2010	Boche	600/118
2007/0088200	A1 *	4/2007	Dahmen et al.	600/182
2008/0195128	A1 *	8/2008	Orbay et al.	606/170
2009/0258174	A1 *	10/2009	Huber et al.	428/36.4
2010/0022838	A1 *	1/2010	Hoeg	600/131

* cited by examiner

Primary Examiner — Bridget L Eland

(74) *Attorney, Agent, or Firm* — St. Onge Steward Johnston & Reens LLC

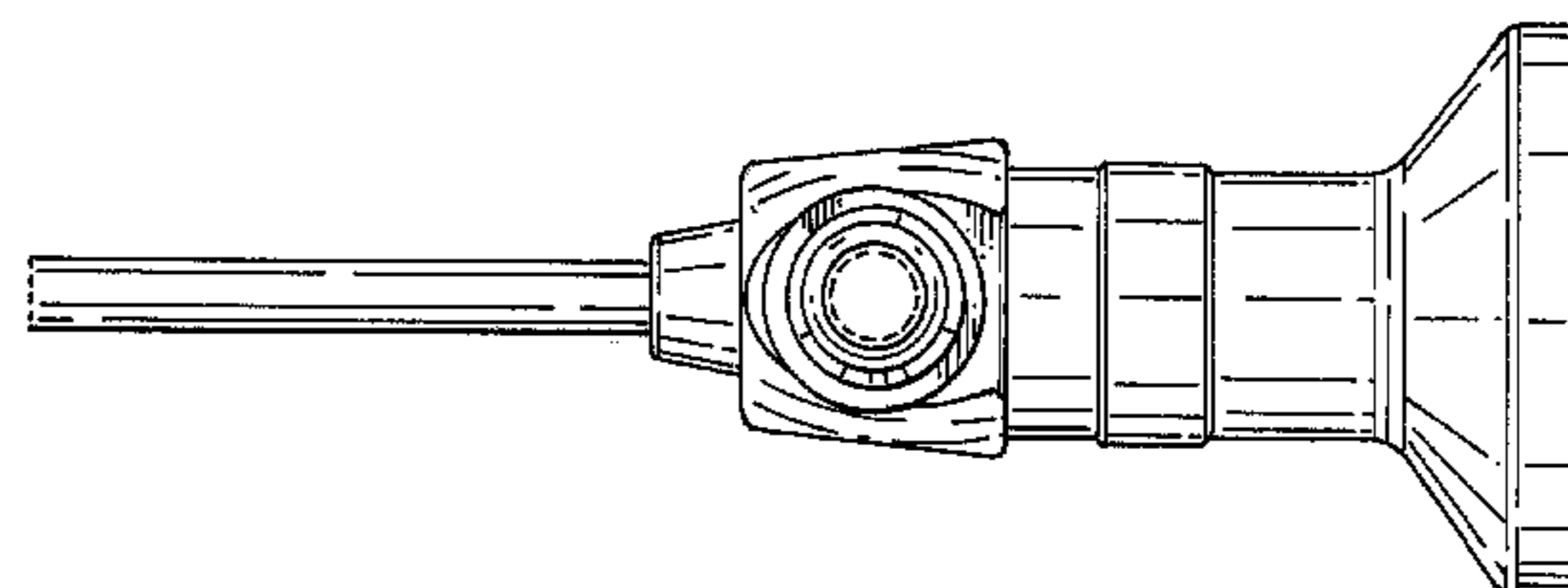
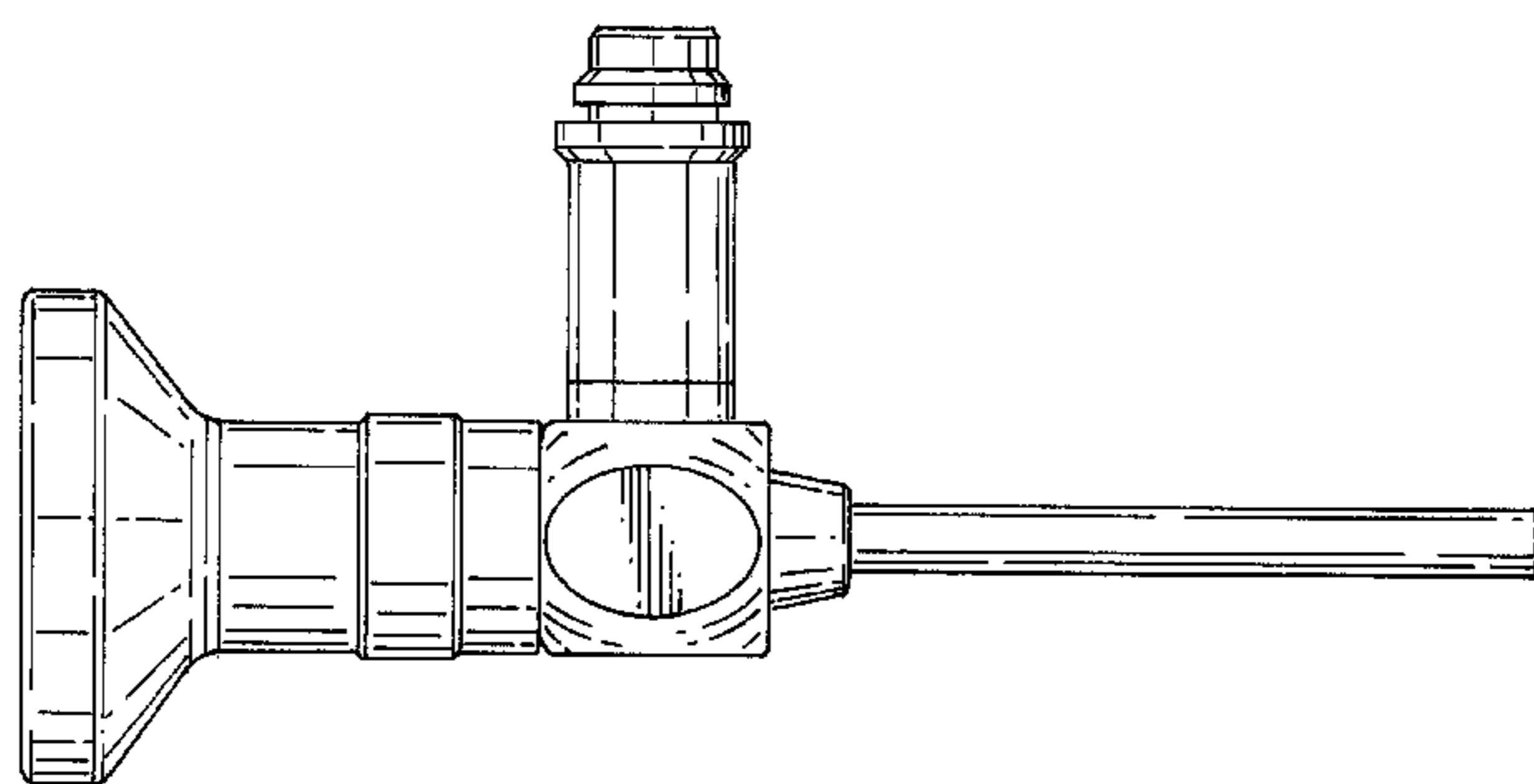
(57) **CLAIM**

The ornamental design for an optical cube, as shown and described.

DESCRIPTION

FIG. 1 is a left side perspective view of an optical cube in accordance with the new design;
 FIG. 2 is a right side elevation view thereof;
 FIG. 3 is a top plan view thereof;
 FIG. 4 is a bottom plan view thereof;
 FIG. 5 is a front elevation view thereof; and,
 FIG. 6 is a rear elevation view thereof.
 The broken lines immediately adjacent the shaded areas represent the bounds of the claimed design while all other broken lines are directed to environment and are for illustrative purposes only; the broken lines form no part of the claimed design.

1 Claim, 6 Drawing Sheets



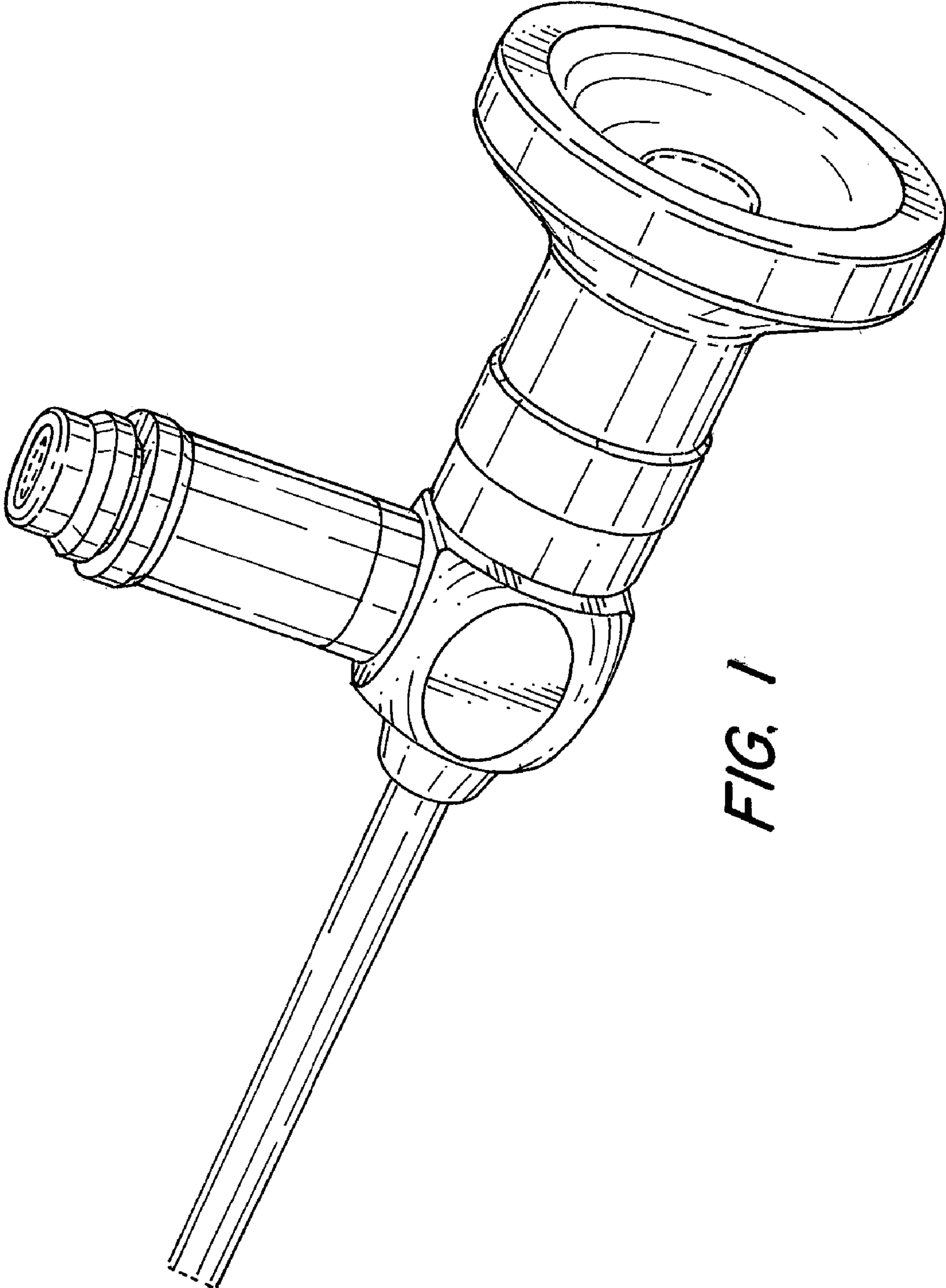


FIG. 1

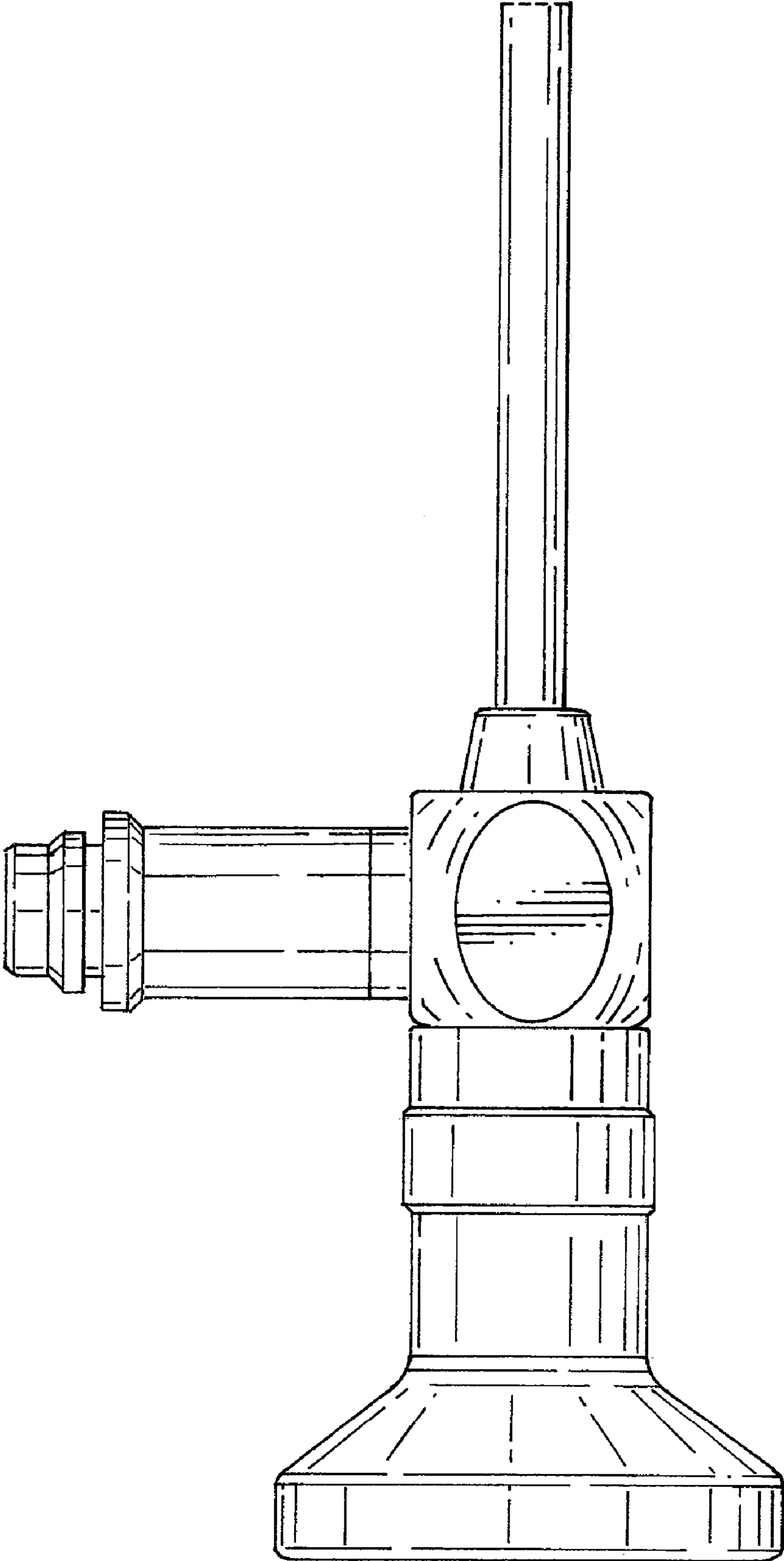


FIG. 2

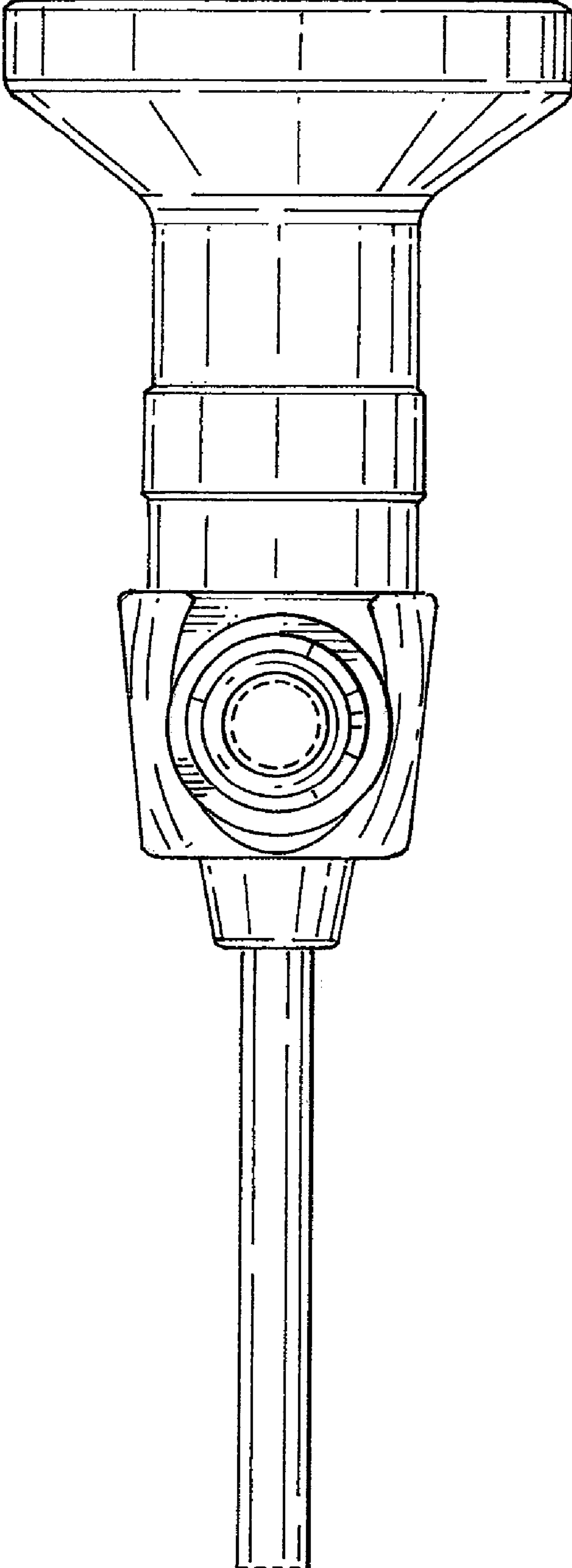


FIG. 3

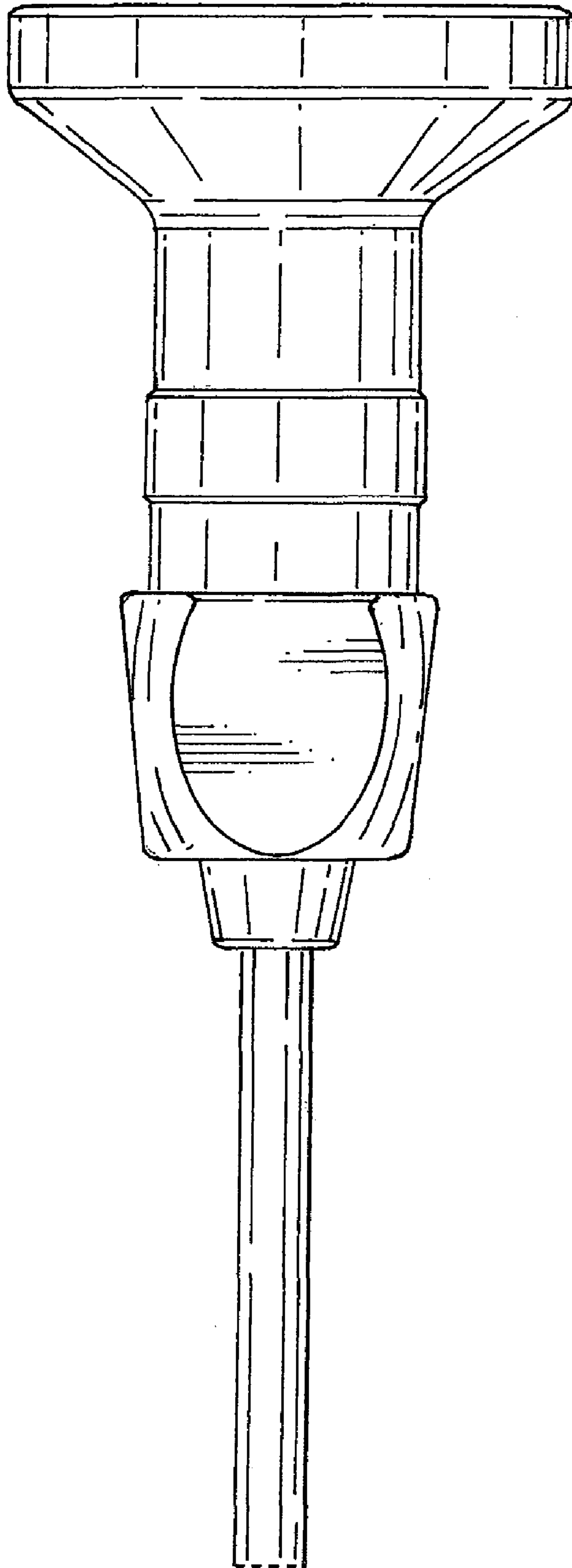


FIG. 4

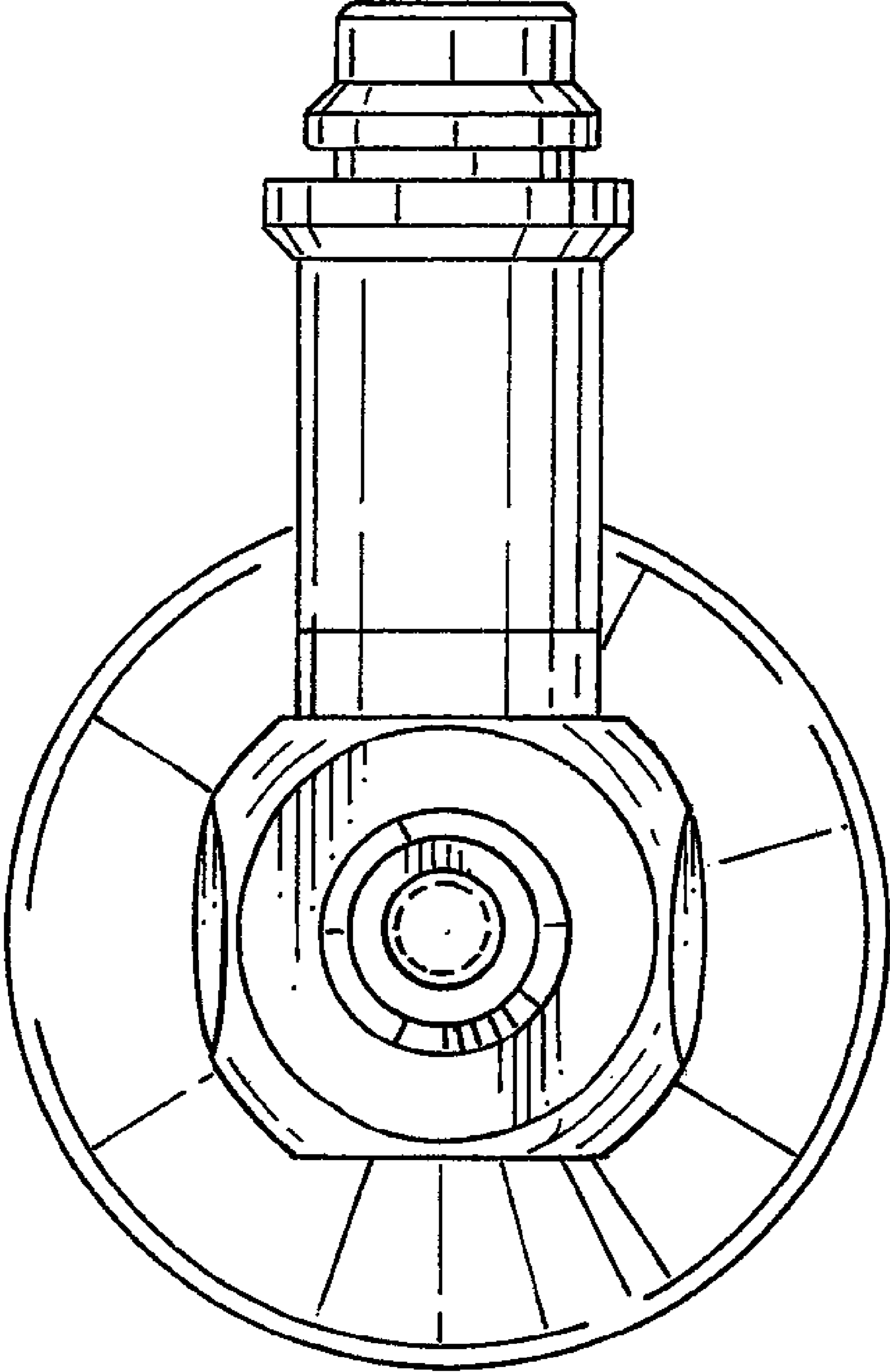


FIG. 5

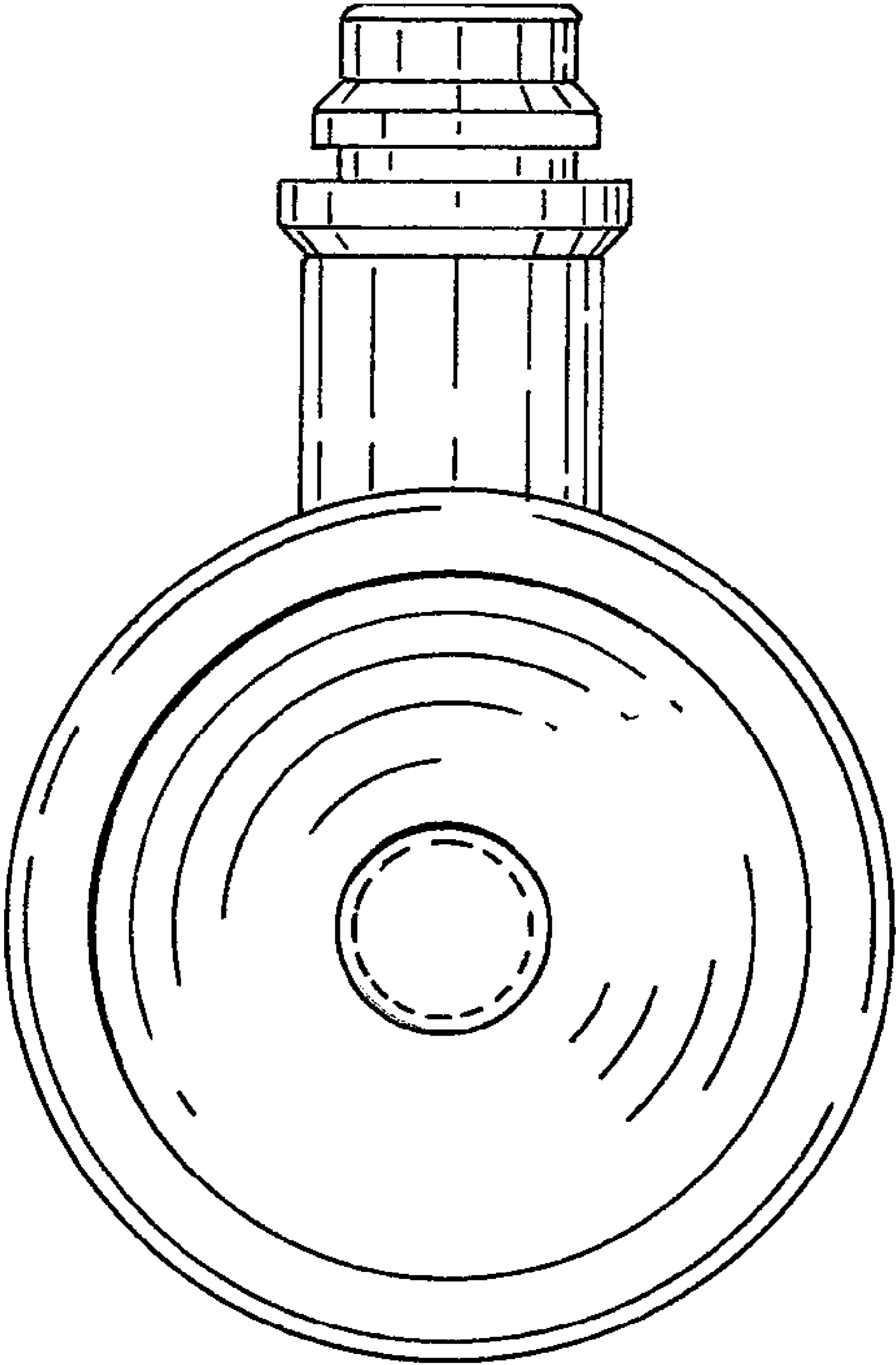


FIG. 6