



US00D637715S

(12) **United States Design Patent**
Clarke et al.

(10) **Patent No.:** **US D637,715 S**

(45) **Date of Patent:** **** May 10, 2011**

(54) **LARYNGOSCOPE WITH SCREEN**
(75) Inventors: **Paul Clarke**, Hampstead Norreys (GB);
David Kelly, Windsor (GB); **Marc**
Walter Tanner, London (GB); **Brian**
Gough, Ruislip (GB); **Marko Plevnik**,
London (GB); **Michael Pratt**, London
(GB); **Robert Wilson**, Harwich (GB)

(73) Assignee: **Indian Ocean Medical Inc.**, Mahe (SC)

(**) Term: **14 Years**

(21) Appl. No.: **29/358,921**

(22) Filed: **Apr. 1, 2010**

(30) **Foreign Application Priority Data**

Oct. 2, 2009 (EM) 001169478

(51) **LOC (9) Cl.** **24-02**

(52) **U.S. Cl.** **D24/137**

(58) **Field of Classification Search** D24/137,
D24/138, 133, 135, 136; 600/185-199, 184,
600/200; 606/196, 191-195, 197-200
See application file for complete search history.

(56) **References Cited**

U.S. PATENT DOCUMENTS

D271,135	S *	10/1983	Greenblatt	D24/138
5,287,848	A	2/1994	Cubb et al.		
5,363,838	A *	11/1994	George	600/120
D358,471	S *	5/1995	Cope et al.	D24/137
5,827,178	A	10/1998	Berall		
6,142,144	A	11/2000	Pacey		
6,494,828	B1	12/2002	Berall		
6,543,447	B2	4/2003	Pacey		
6,655,377	B2	12/2003	Pacey		
7,182,728	B2	2/2007	Cubb et al.		
D550,841	S *	9/2007	Berci et al.	D24/137
D594,555	S *	6/2009	Hsu	D24/137
D611,598	S *	3/2010	Tenger et al.	D24/133

D618,794	S	6/2010	Onuma		
D619,248	S	7/2010	Yokota		
2002/0022769	A1 *	2/2002	Smith et al.	600/188
2002/0082478	A1	6/2002	McGrath		
2003/0100819	A1 *	5/2003	Newman et al.	600/300
2003/0195390	A1 *	10/2003	Graumann	600/188
2004/0127770	A1	7/2004	McGrath		
2005/0090712	A1	4/2005	Cubb		
2006/0020176	A1	1/2006	Berall		
2006/0276693	A1	12/2006	Pacey		
2007/0106121	A1	5/2007	Yokota et al.		
2007/0167686	A1	7/2007	McGrath		
2007/0299313	A1	12/2007	McGrath		
2008/0051628	A1 *	2/2008	Pecherer et al.	600/112
2008/0064926	A1 *	3/2008	Chen	600/110
2008/0146878	A1 *	6/2008	Frost et al.	600/188
2008/0146879	A1	6/2008	Pacey		

(Continued)

FOREIGN PATENT DOCUMENTS

JP 2006-326111 7/2006

(Continued)

Primary Examiner — Bridget L Eland

(74) *Attorney, Agent, or Firm* — Knobbe Martens Olson & Bear LLP

(57) **CLAIM**

The ornamental design for a laryngoscope with screen, as shown and described.

DESCRIPTION

FIG. 1 is a perspective view of a laryngoscope with screen showing our new design.

FIG. 2 is a front elevational view thereof.

FIG. 3 is a left side elevational view thereof.

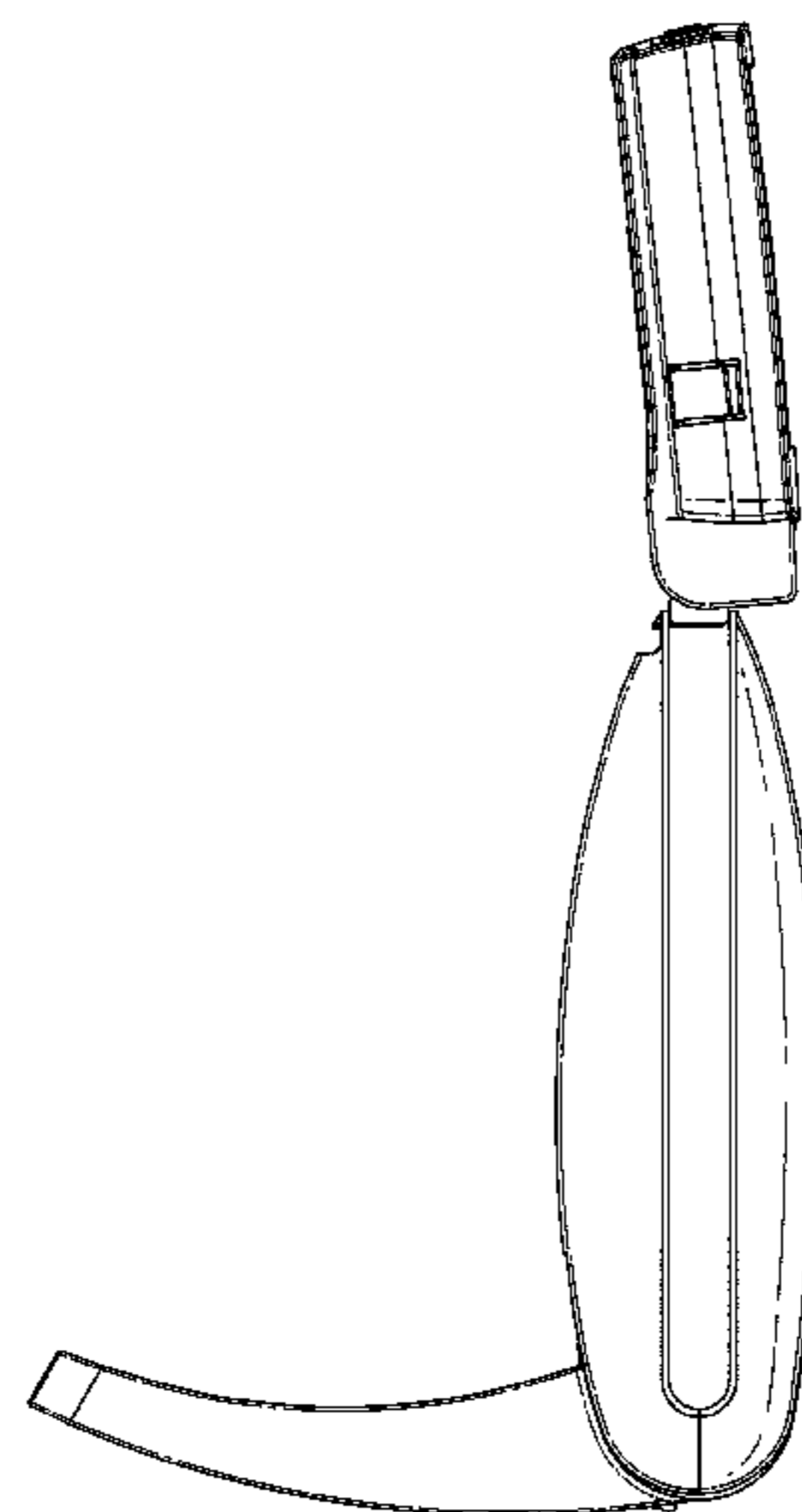
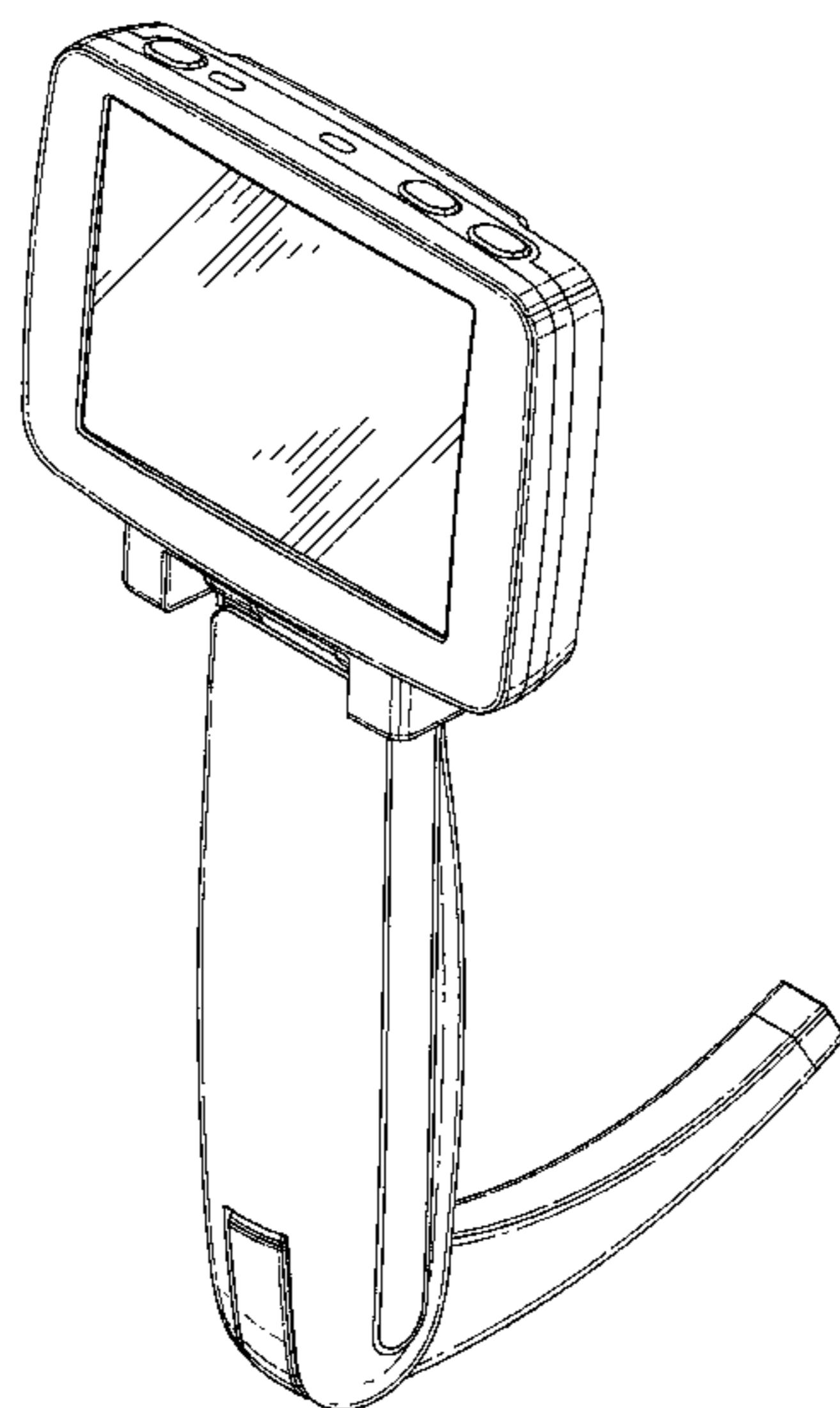
FIG. 4 is a rear elevational view thereof.

FIG. 5 is a right side elevational view thereof.

FIG. 6 is a top plan view thereof; and,

FIG. 7 is a bottom plan view thereof.

1 Claim, 7 Drawing Sheets



US D637,715 S

Page 2

U.S. PATENT DOCUMENTS

2008/0177148 A1* 7/2008 Chen et al. 600/188
2008/0312507 A1* 12/2008 Kim 600/188
2009/0192350 A1* 7/2009 Mejia 600/109
2009/0322867 A1* 12/2009 Carrey et al. 348/77
2010/0191054 A1* 7/2010 Supiez 600/109

2010/0249513 A1* 9/2010 Tydlaska 600/186
2010/0261967 A1* 10/2010 Pacey et al. 600/186

FOREIGN PATENT DOCUMENTS

WO WO 2009/103075 A1 8/2009

* cited by examiner

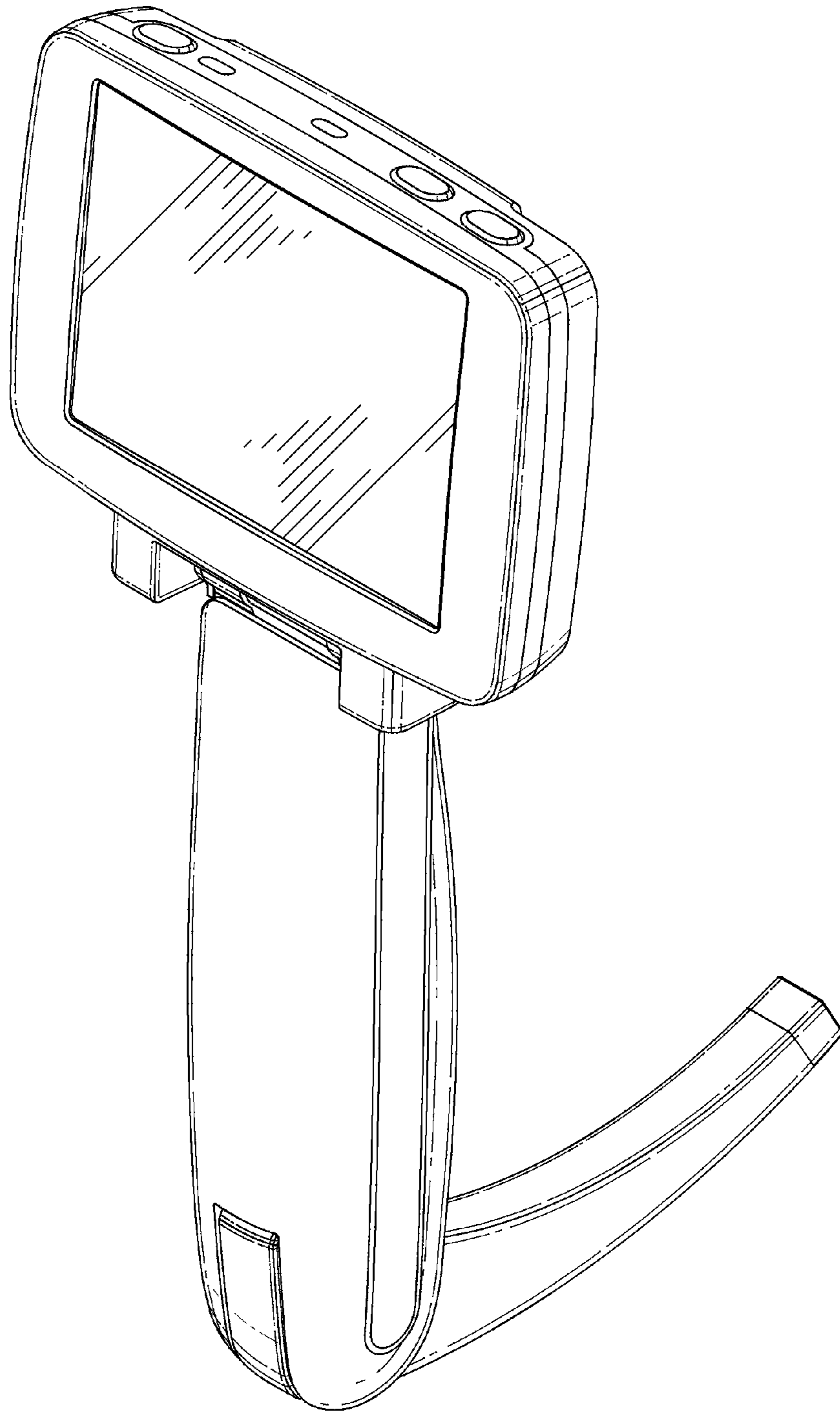


FIG. 1

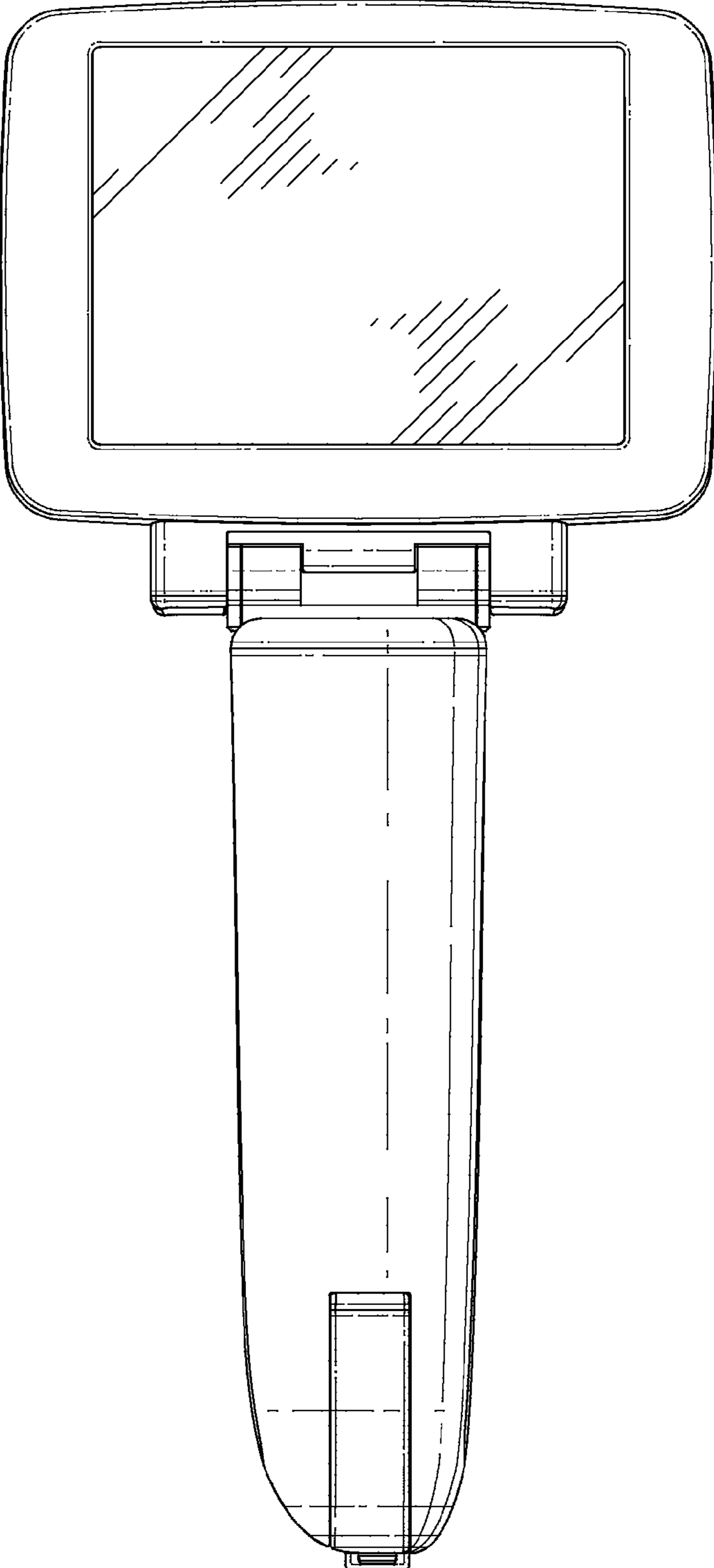


FIG. 2

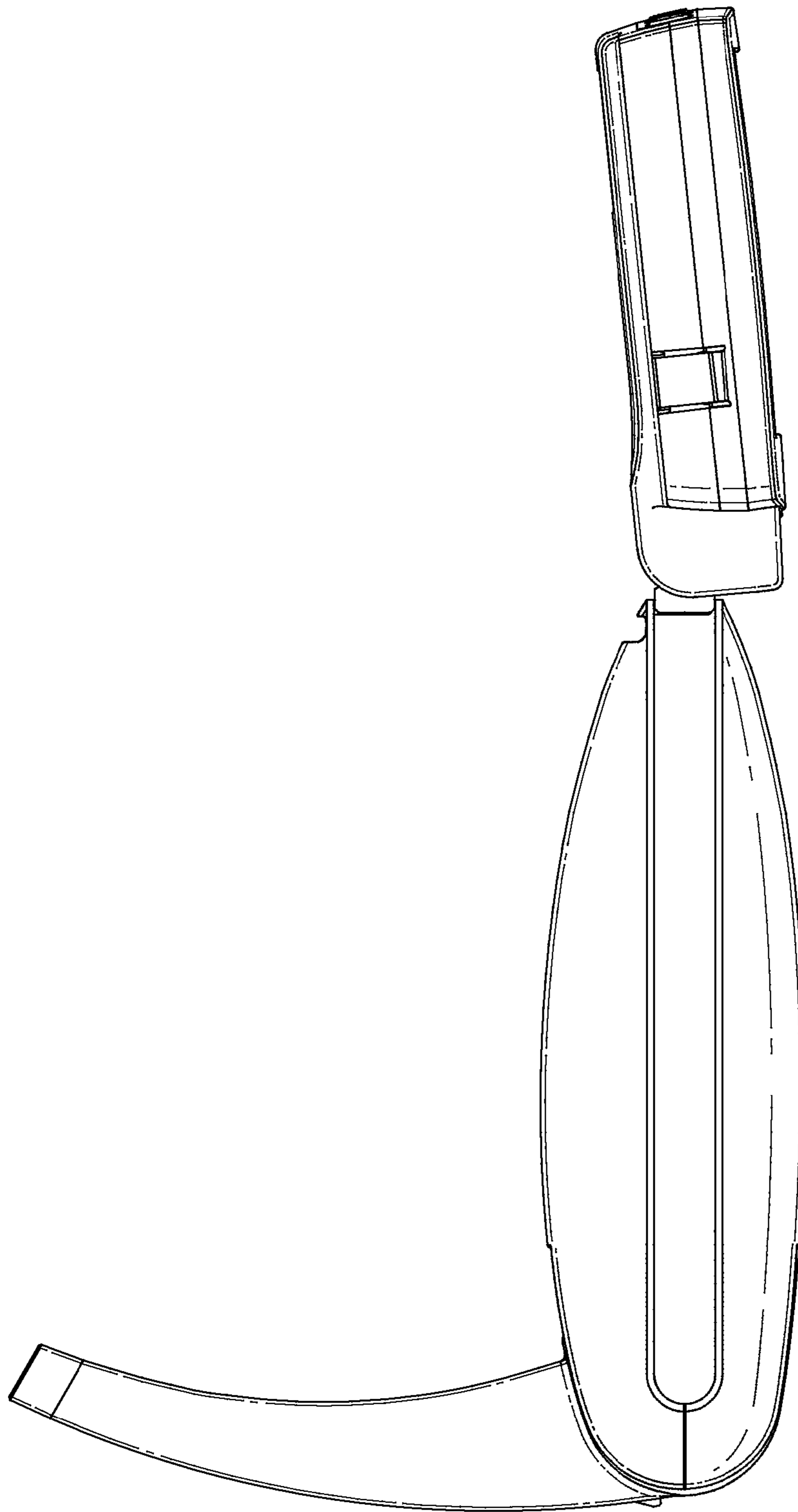


FIG. 3

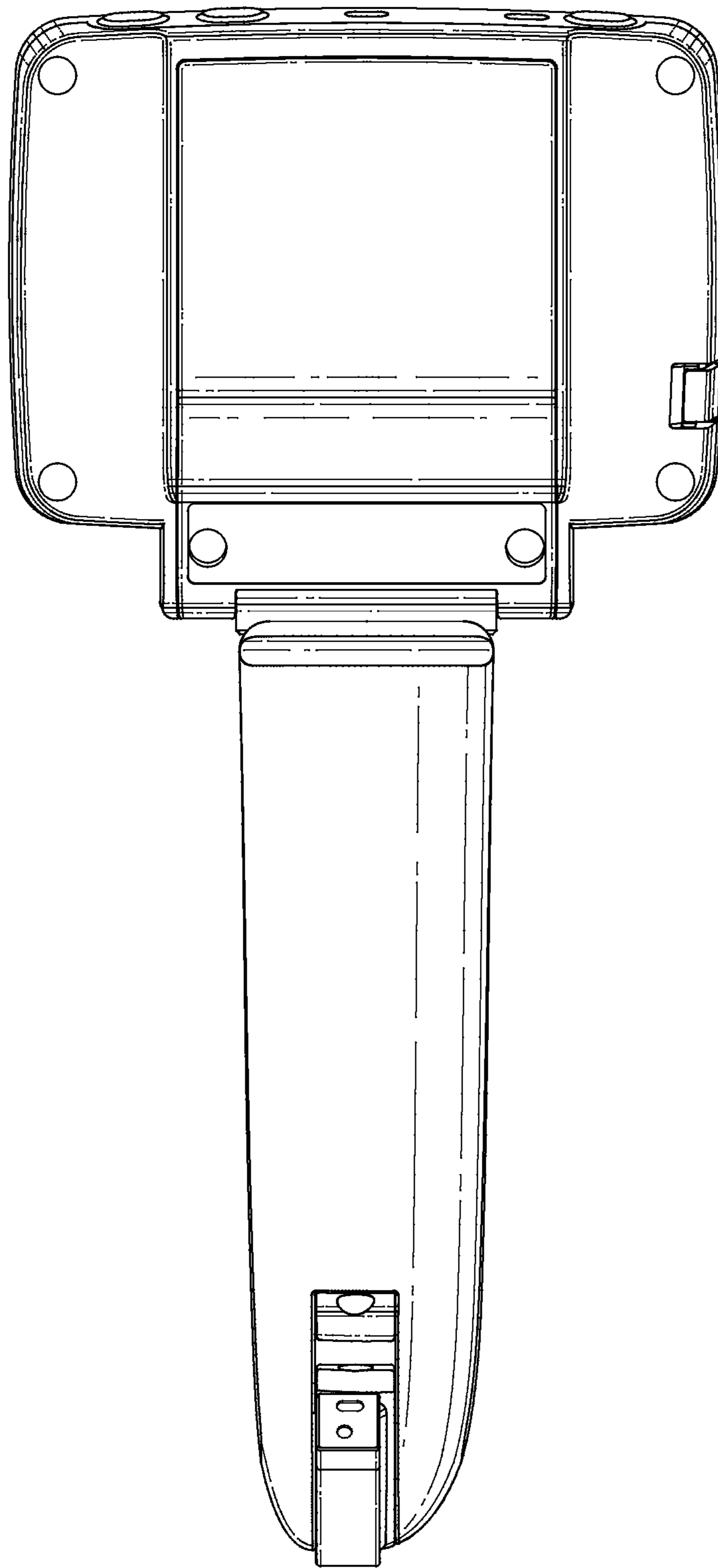


FIG. 4

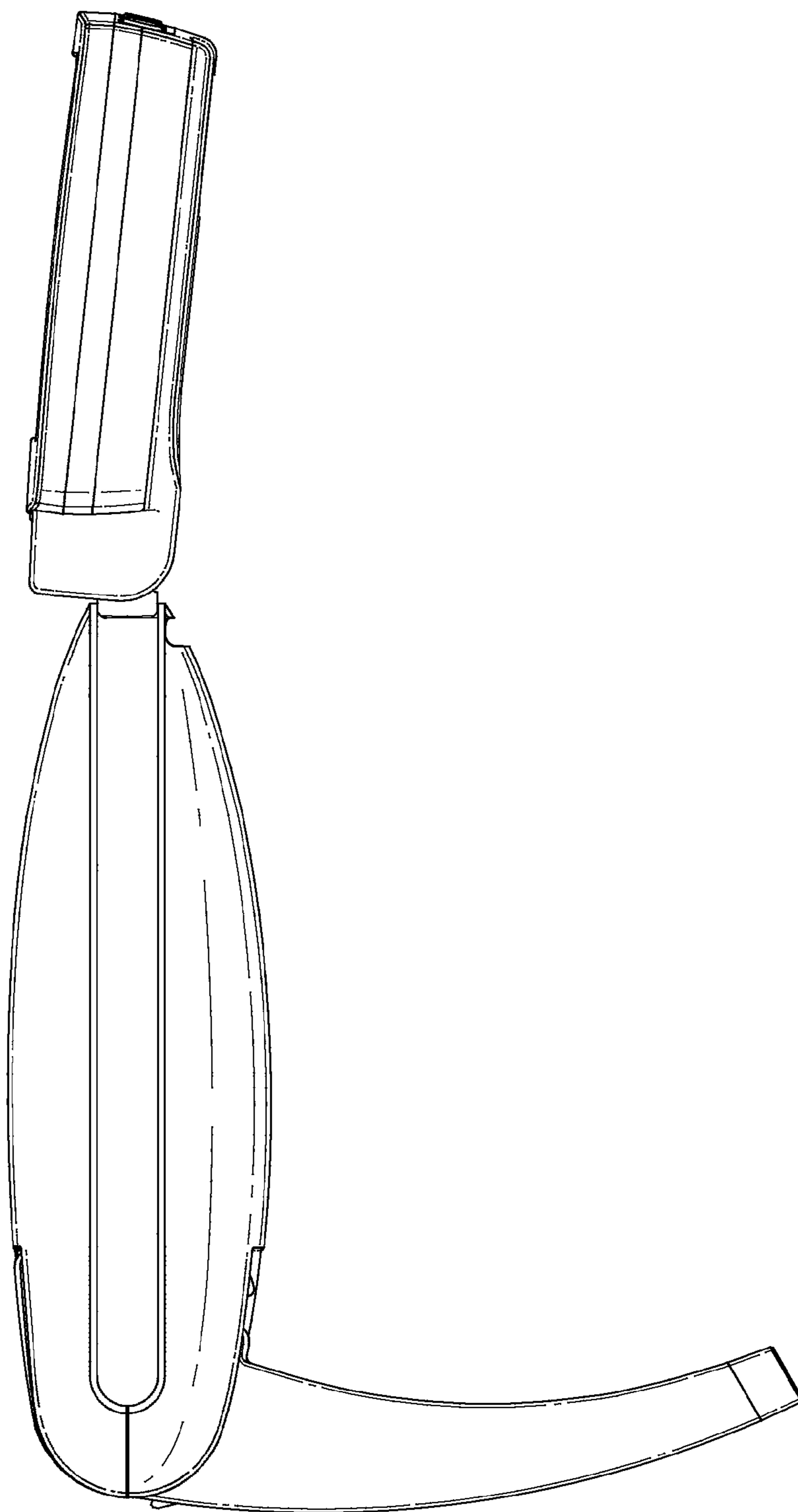


FIG. 5

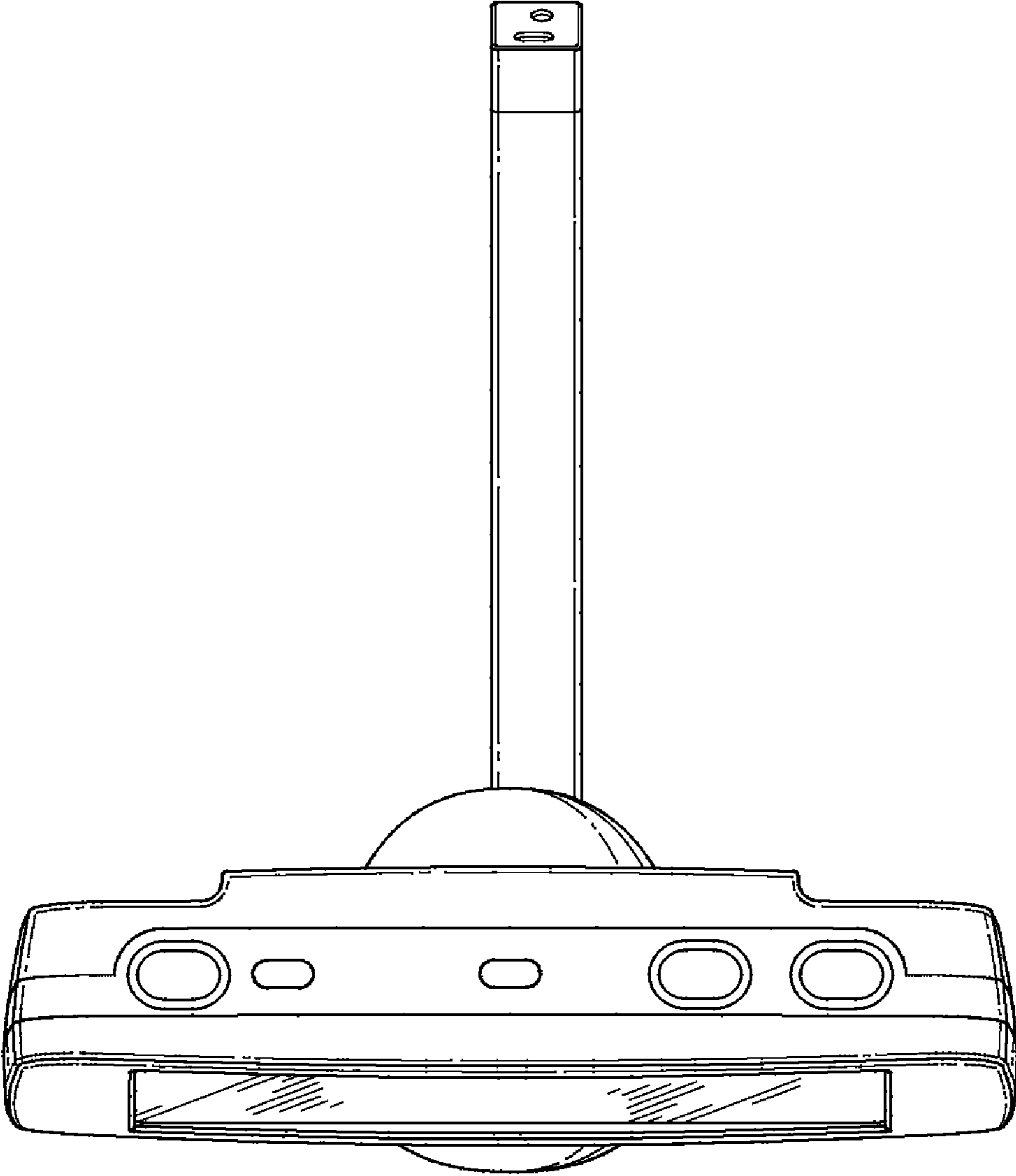


FIG. 6

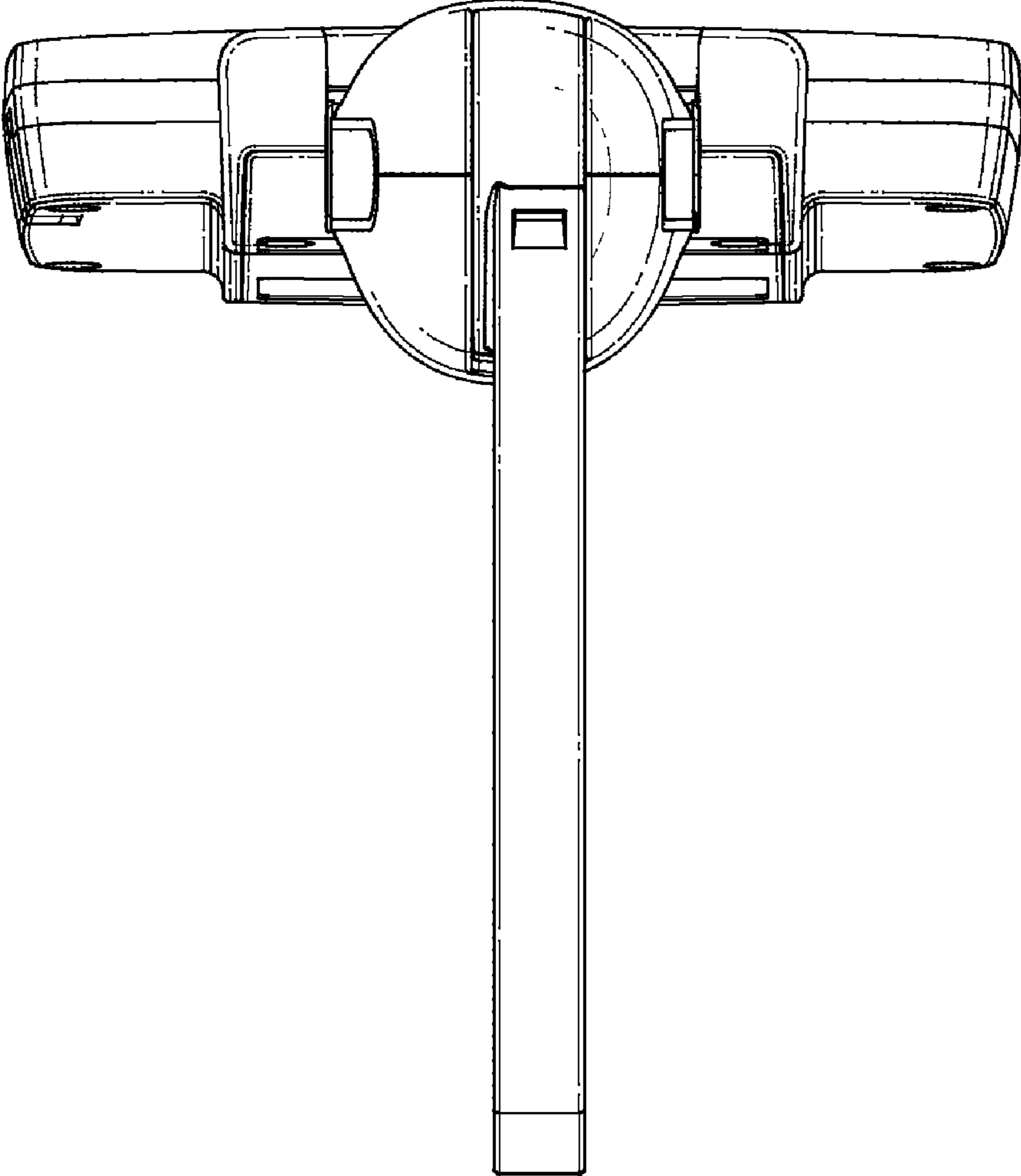


FIG. 7