



US00D637710S

(12) **United States Design Patent**
Huh

(10) **Patent No.:** **US D637,710 S**
(45) **Date of Patent:** **** May 10, 2011**

(54) **PORTABLE AIR SUPPLIER**
(75) Inventor: **Moon Young Huh**, Seoul (KR)
(73) Assignee: **Otos Wing Co., Ltd.** (KR)
(**) Term: **14 Years**

D478,111 S 8/2003 Huh
D481,832 S 11/2003 Huh
D482,502 S 11/2003 Huh
D482,503 S 11/2003 Huh
D505,865 S * 6/2005 Seizer et al. D9/688
7,495,546 B2 * 2/2009 Lintell 340/309.7
D590,444 S * 4/2009 Farnworth et al. D19/73
D590,495 S * 4/2009 Lulla et al. D24/110

* cited by examiner

(21) Appl. No.: **29/279,174**
(22) Filed: **Apr. 23, 2007**

Primary Examiner — Charles A Rademaker
Assistant Examiner — Charles D Hanson
(74) *Attorney, Agent, or Firm* — Cantor Colburn LLP

(30) **Foreign Application Priority Data**

Mar. 6, 2007 (KR) 30-2007-0009667

(51) **LOC (9) Cl.** **24-02**
(52) **U.S. Cl.** **D24/110**
(58) **Field of Classification Search** D24/108–110.5;
128/200.14–200.23, 203.12–203.24
See application file for complete search history.

(57) **CLAIM**

I claim, the ornamental design for a portable air supplier, as shown and described.

(56) **References Cited**

U.S. PATENT DOCUMENTS

5,669,376 A * 9/1997 Sioutas 128/200.23
D393,933 S 4/1998 Huh
D395,499 S * 6/1998 Eisele et al. D24/110
D412,978 S * 8/1999 Cameron D24/110
D433,634 S * 11/2000 Nicolas D9/520
D446,887 S 8/2001 Young
D450,117 S * 11/2001 Braithwaite et al. D24/110
D452,910 S * 1/2002 Braithwaite et al. D24/110

DESCRIPTION

FIG. 1 is a perspective view of a portable air supplier, showing my new design;
FIG. 2 is a front elevational view thereof;
FIG. 3 is a rear elevational view thereof;
FIG. 4 is a left side elevational view thereof;
FIG. 5 is a right side elevational view thereof;
FIG. 6 is a top plan view thereof; and,
FIG. 7 is a bottom plan view thereof.

1 Claim, 6 Drawing Sheets



Fig. 1

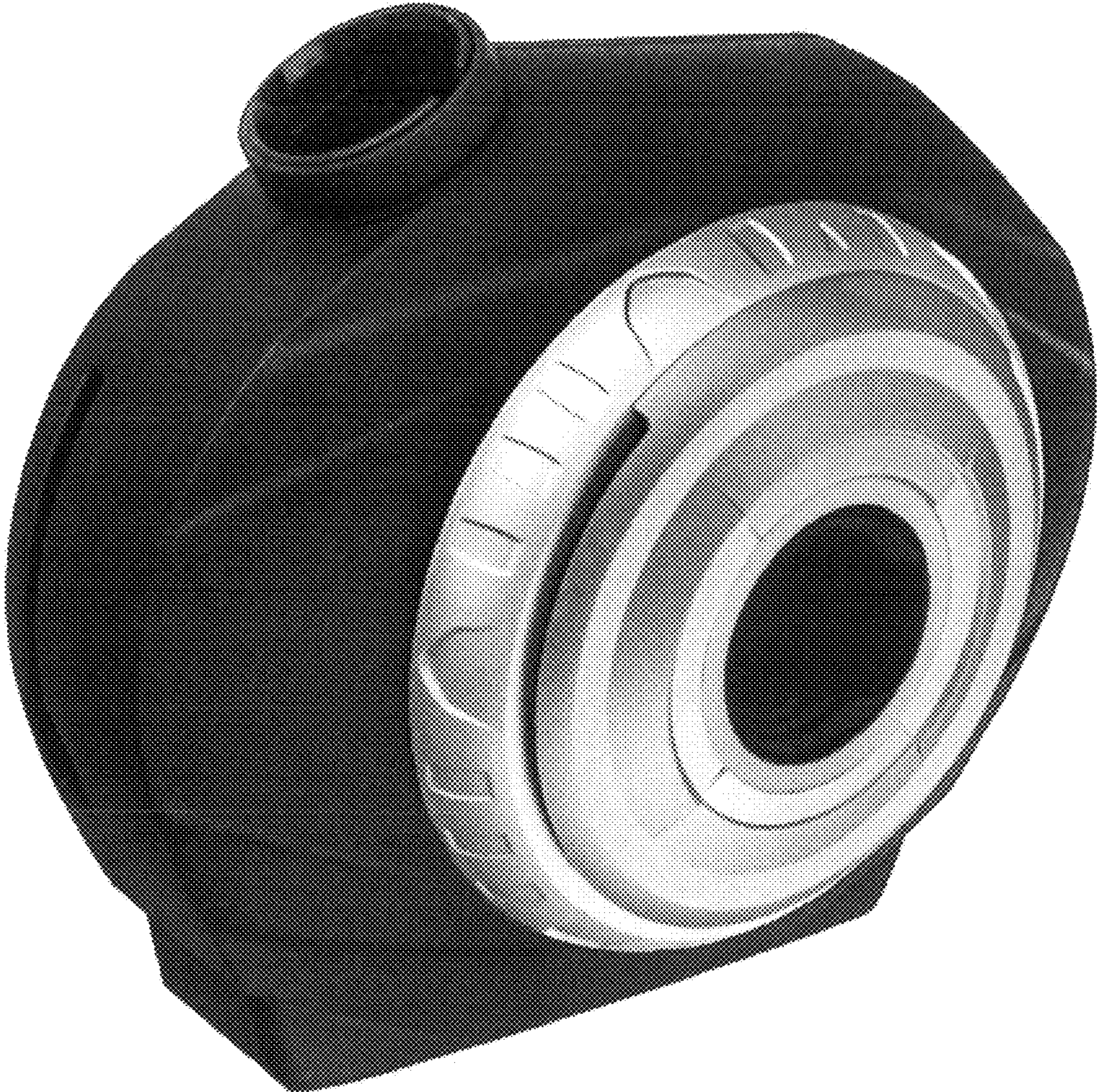


Fig. 2

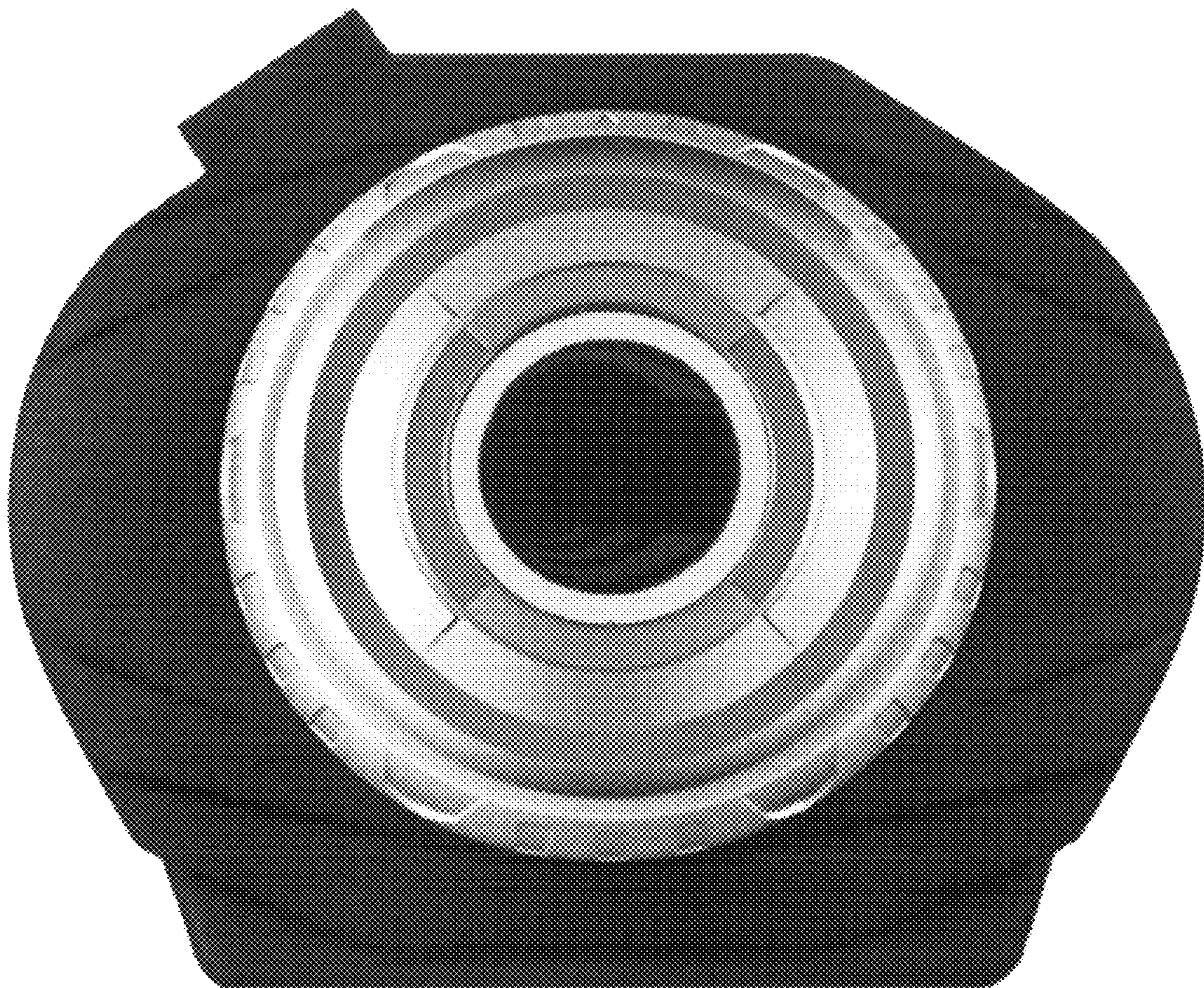


Fig. 3

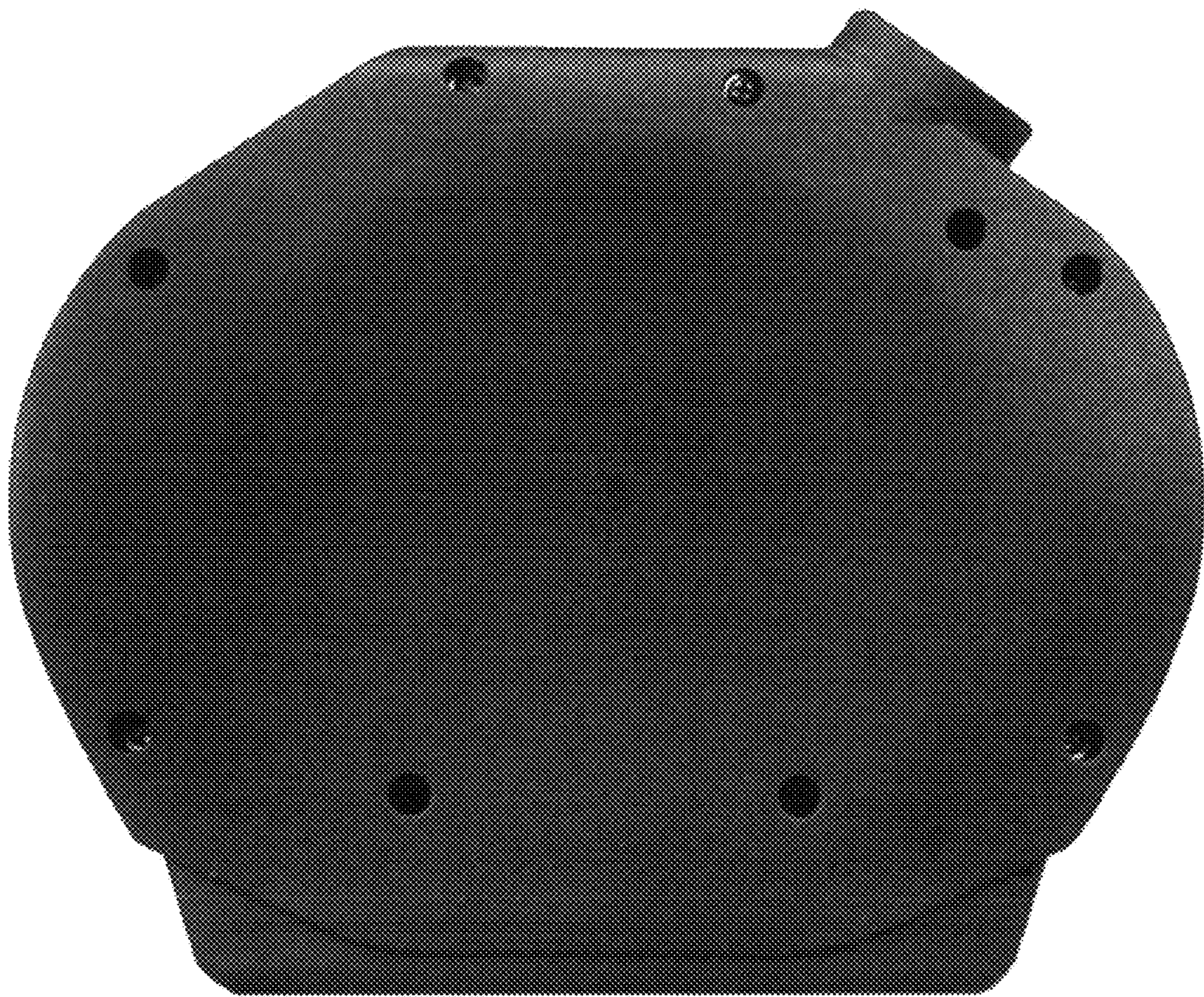


Fig. 4

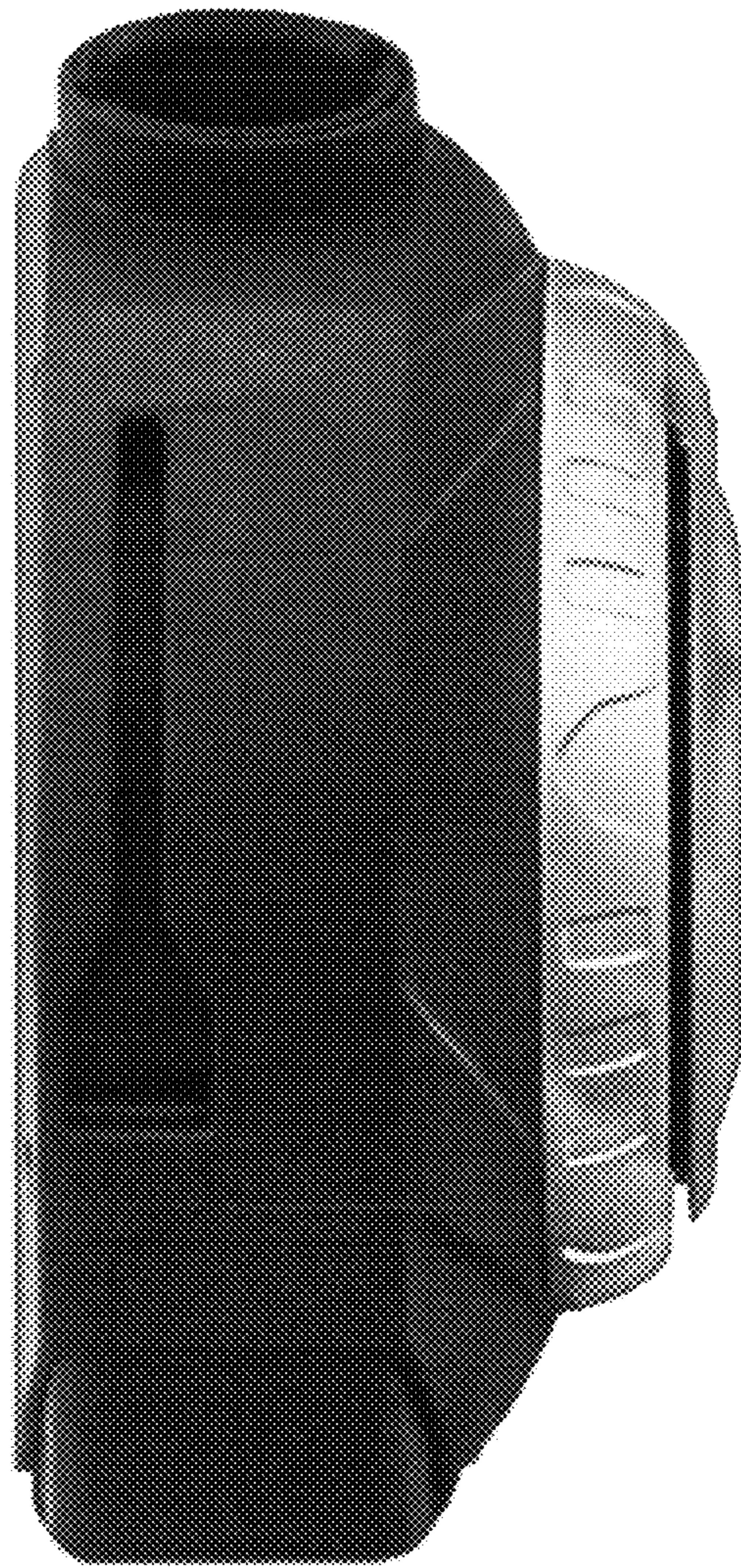


Fig. 5

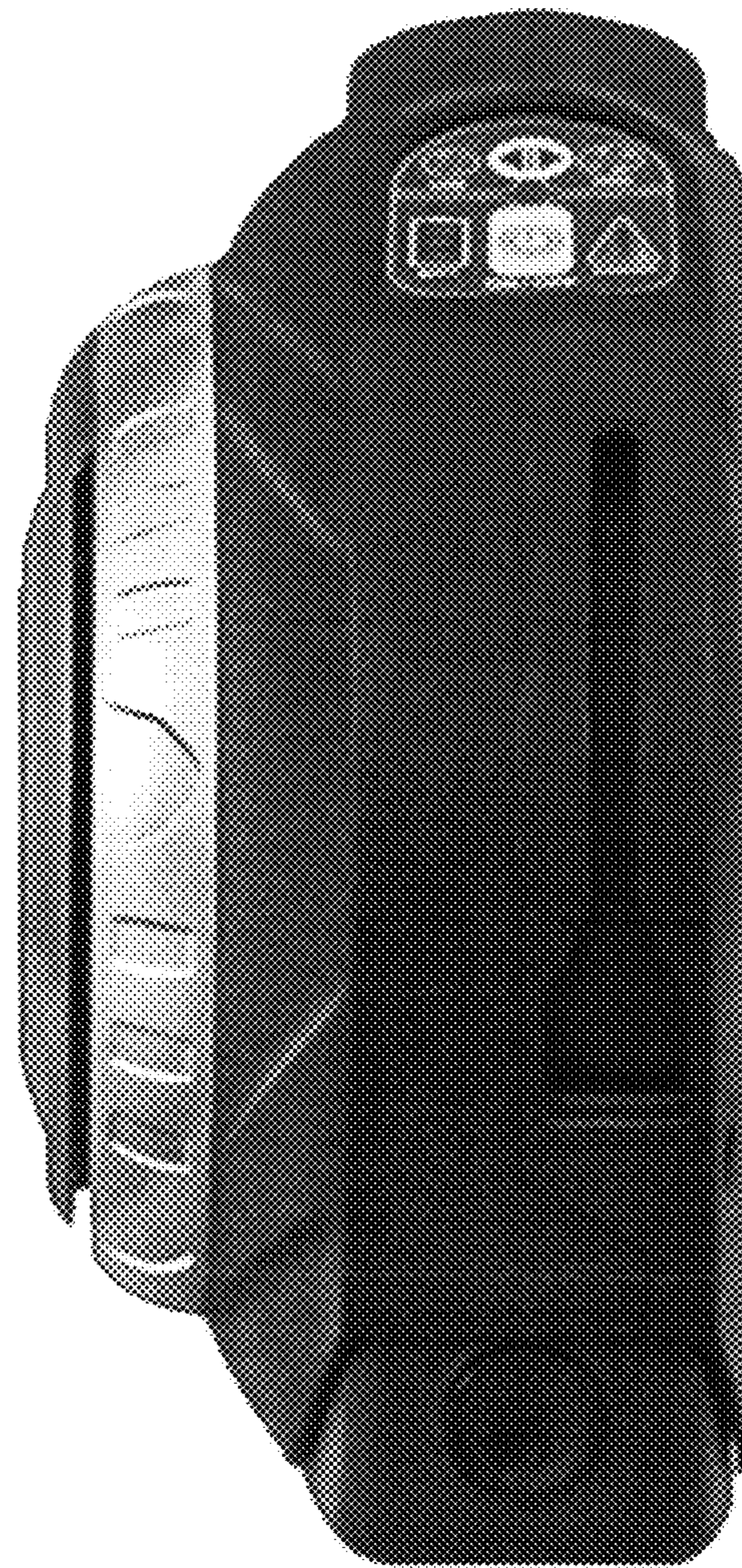


Fig. 6



Fig. 7

