



US00D637706S

(12) **United States Design Patent**
Kawai et al.

(10) **Patent No.:** **US D637,706 S**

(45) **Date of Patent:** **** May 10, 2011**

(54) **AXIAL-FLOW BLOWER**

(75) Inventors: **Yoichi Kawai**, Tokyo (JP); **Naoya Ohki**, Tokyo (JP); **Takako Fukuda**, Kitasaku-gun (JP); **Masaki Ogushi**, Kitasaku-gun (JP)

(73) Assignees: **Minebea Co., Ltd.**, Nagano (JP); **Minebea Motor Manufacturing Corporation**, Tokyo (JP)

(**) **Term:** **14 Years**

(21) **Appl. No.:** **29/380,541**

(22) **Filed:** **Dec. 7, 2010**

(30) **Foreign Application Priority Data**

Jul. 16, 2010 (JP) 2010-017437

(51) **LOC (9) Cl.** **23-04**

(52) **U.S. Cl.** **D23/370**

(58) **Field of Classification Search** D23/370,
D23/379, 383; 415/214.1, 213.1, 60, 66,
415/68; 361/695

See application file for complete search history.

(56) **References Cited**

U.S. PATENT DOCUMENTS

D245,994 S * 10/1977 Olson D23/383
D516,194 S * 2/2006 Oosawa et al. D23/370

D537,518 S * 2/2007 Teufel D23/383
D576,266 S * 9/2008 Yamakami D23/383
D602,142 S * 10/2009 Nishizawa et al. D23/370
D619,697 S * 7/2010 Uchikawa D23/370

* cited by examiner

Primary Examiner — Lisa P Lichtenstein

(74) *Attorney, Agent, or Firm* — Oliff & Berridge, PLC

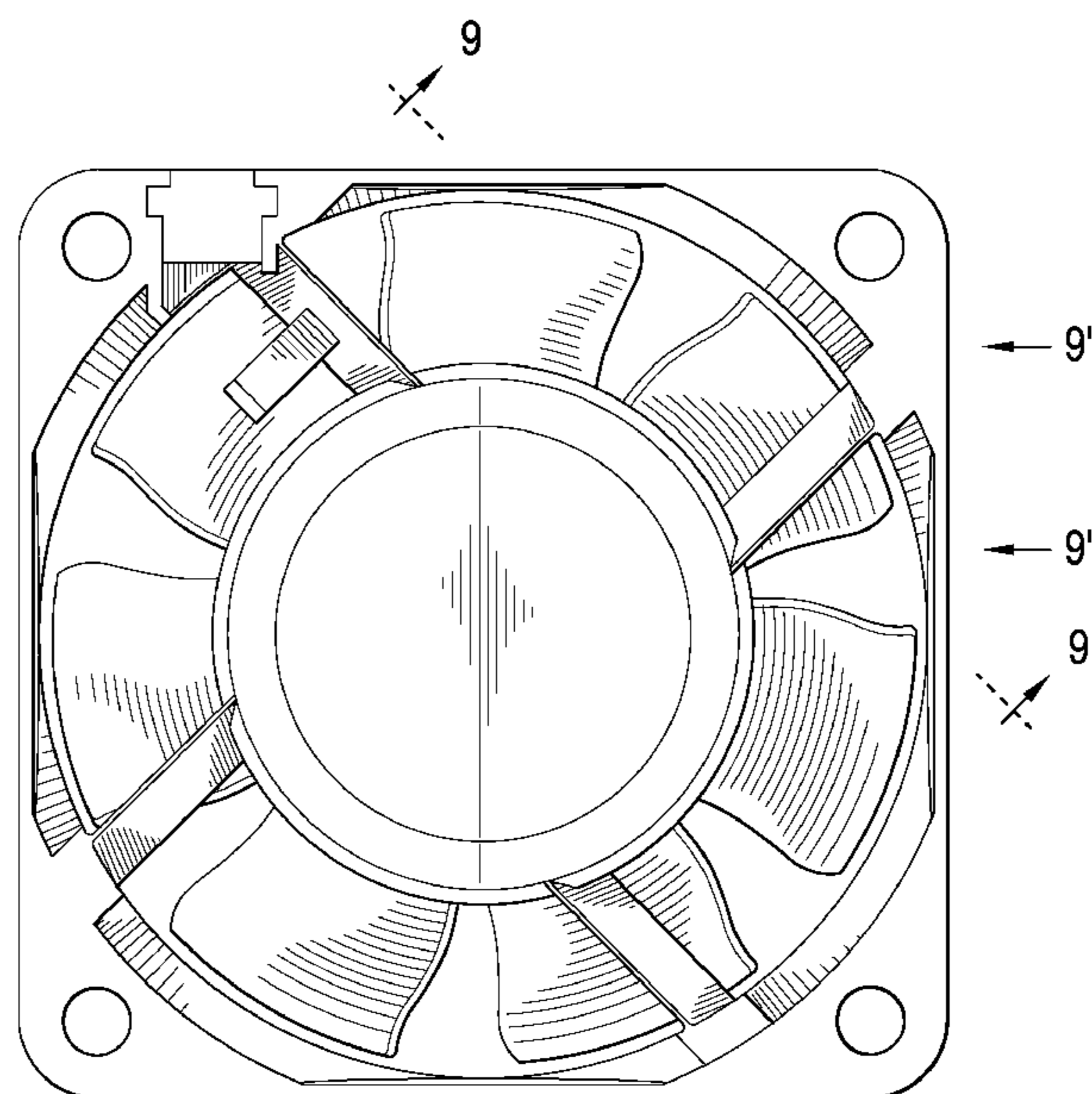
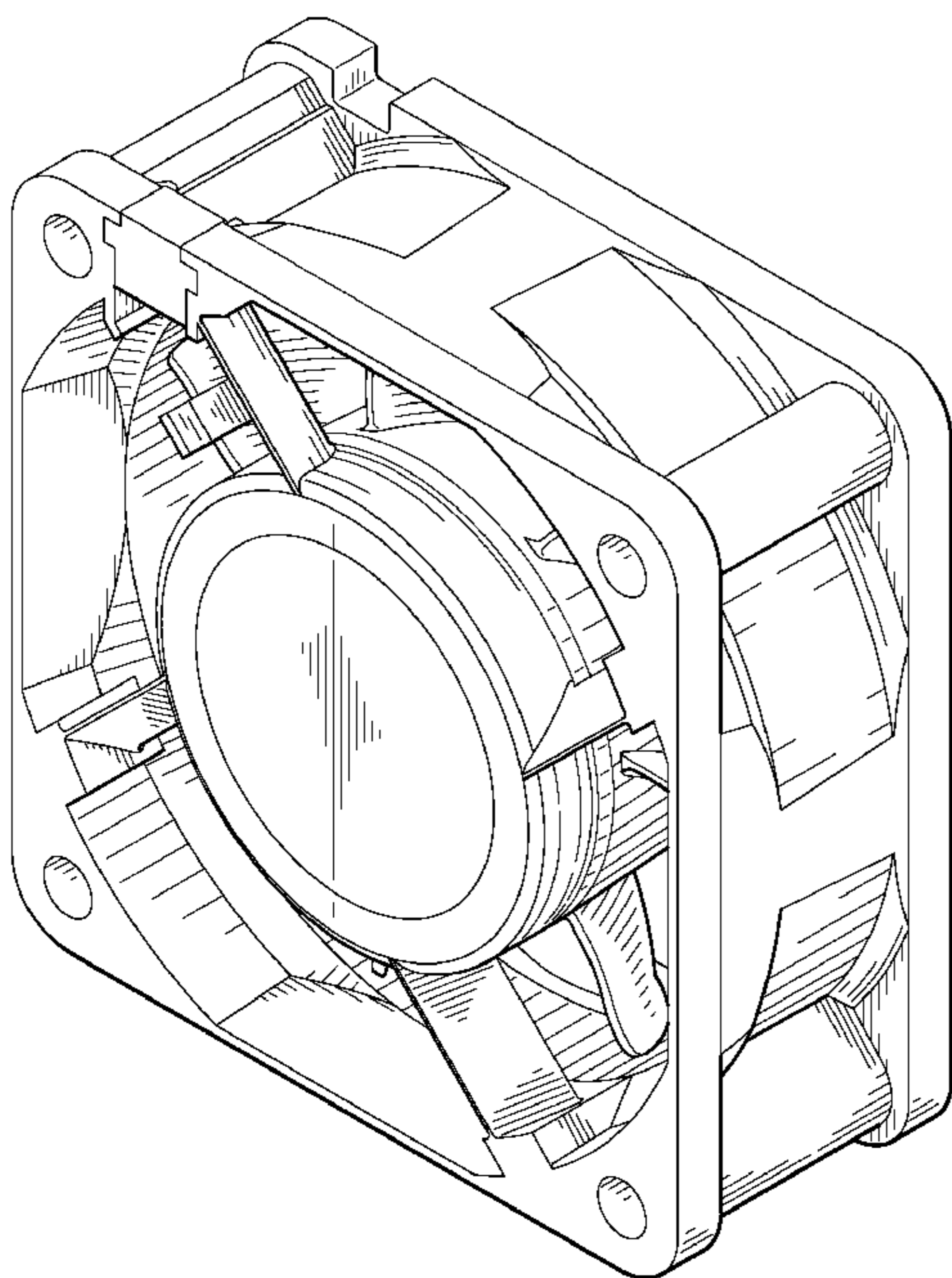
(57) **CLAIM**

The ornamental design for an axial-flow blower, as shown and described.

DESCRIPTION

FIG. 1 is a perspective view of an axial-flow blower;
FIG. 2 is a front view thereof;
FIG. 3 is a top view thereof;
FIG. 4 is a right-side view thereof;
FIG. 5 is a left-side view thereof;
FIG. 6 is a bottom view thereof;
FIG. 7 is a rear view thereof;
FIG. 8 is another perspective view thereof;
FIG. 9 is a partial cross-sectional view thereof taken along lines 9—9 in FIG. 2 and limited to the portion between lines 9'—9' in FIG. 2;
FIG. 10 is a cross-sectional view thereof taken along lines 10—10 in FIG. 3; and,
FIG. 11 is a cross-sectional view thereof taken along lines 11—11 in FIG. 7.

1 Claim, 9 Drawing Sheets



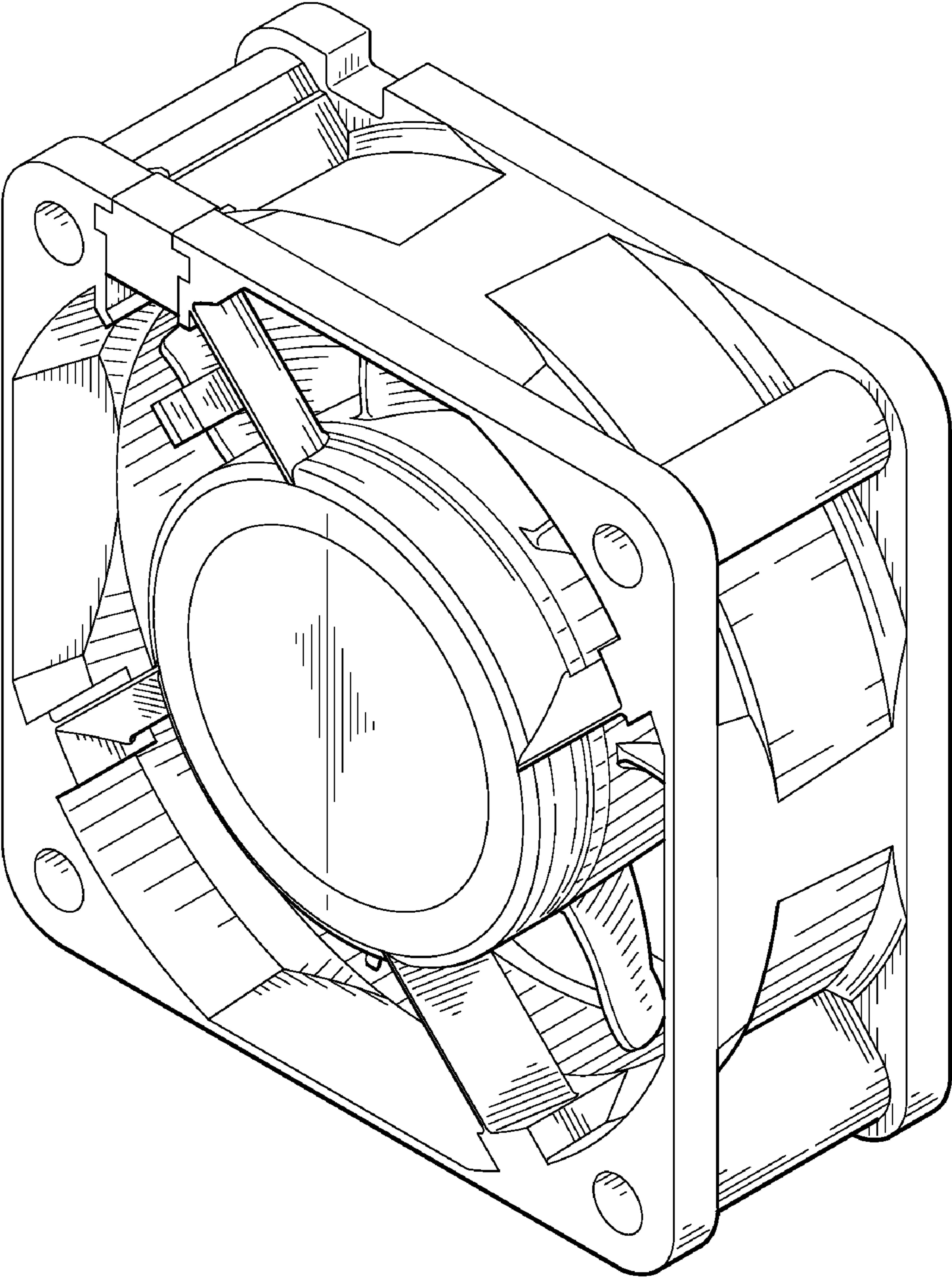


FIG. 1

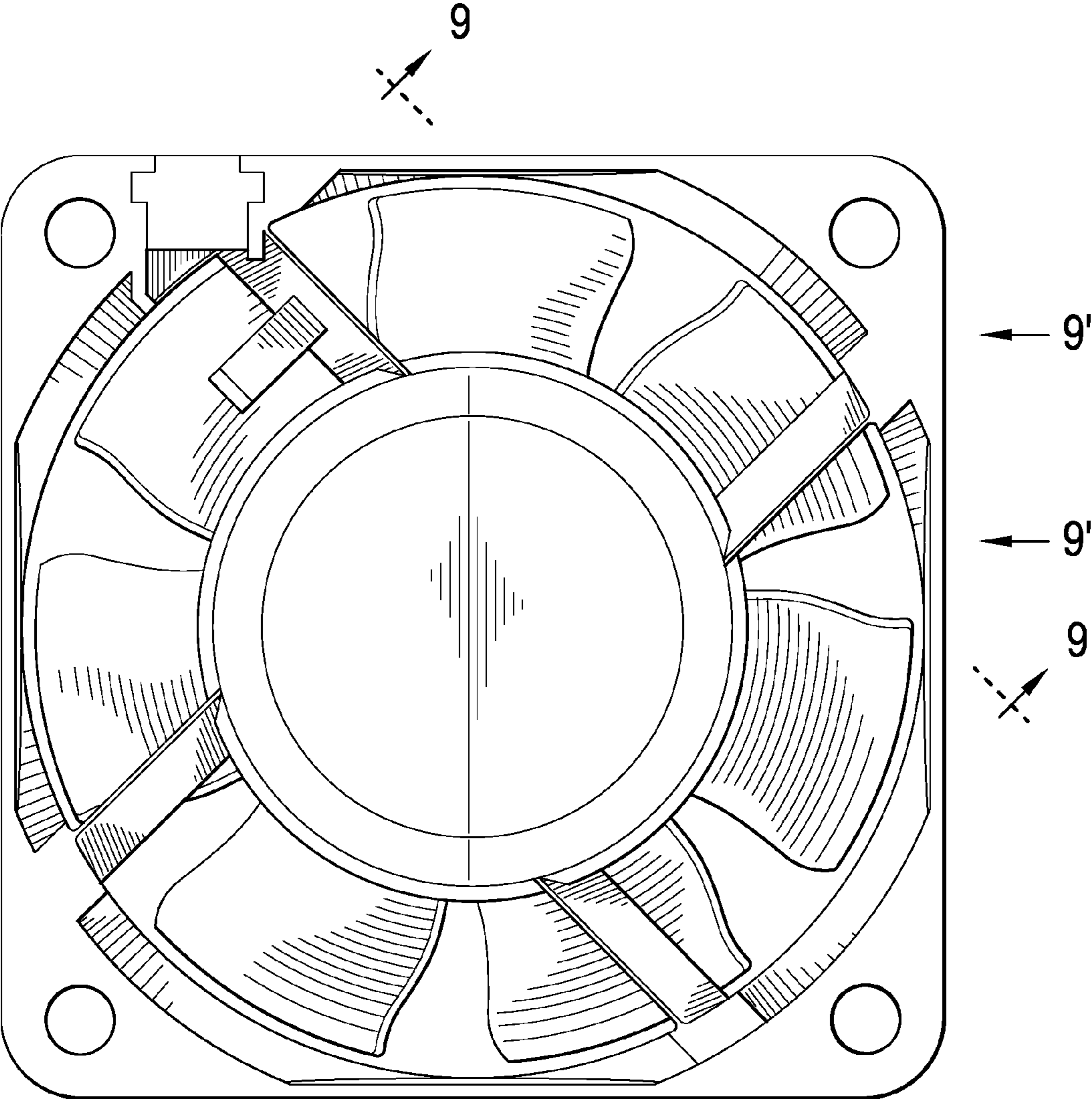


FIG. 2

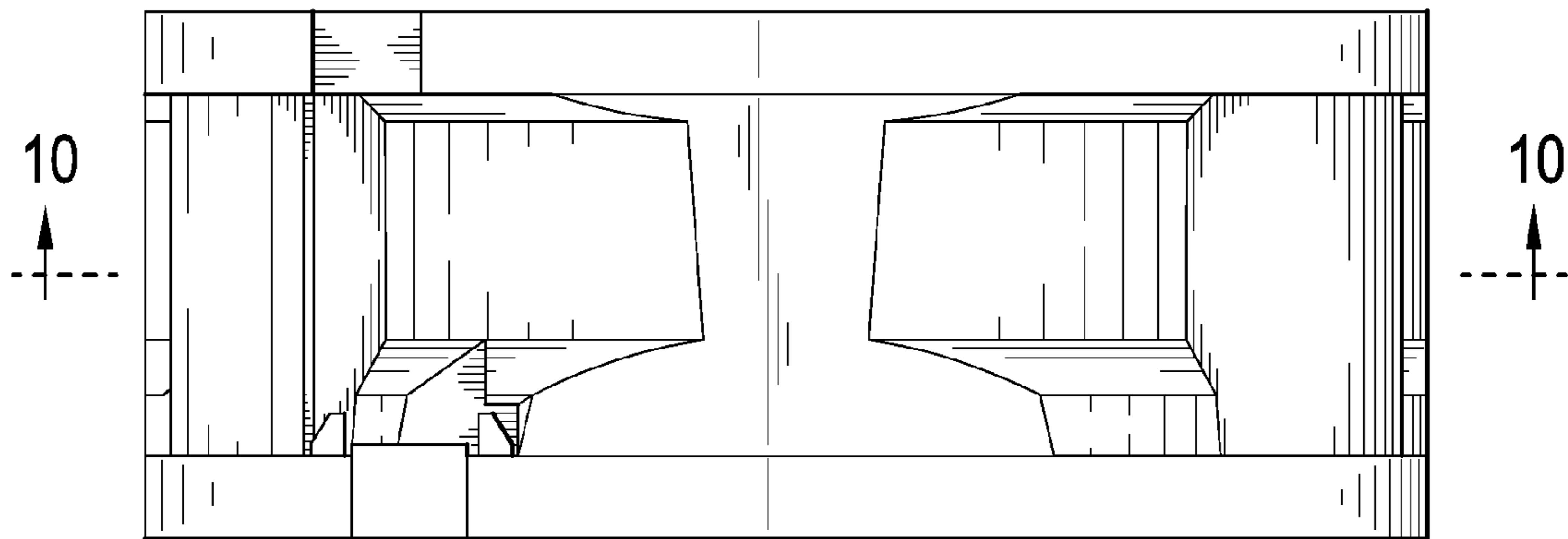


FIG. 3

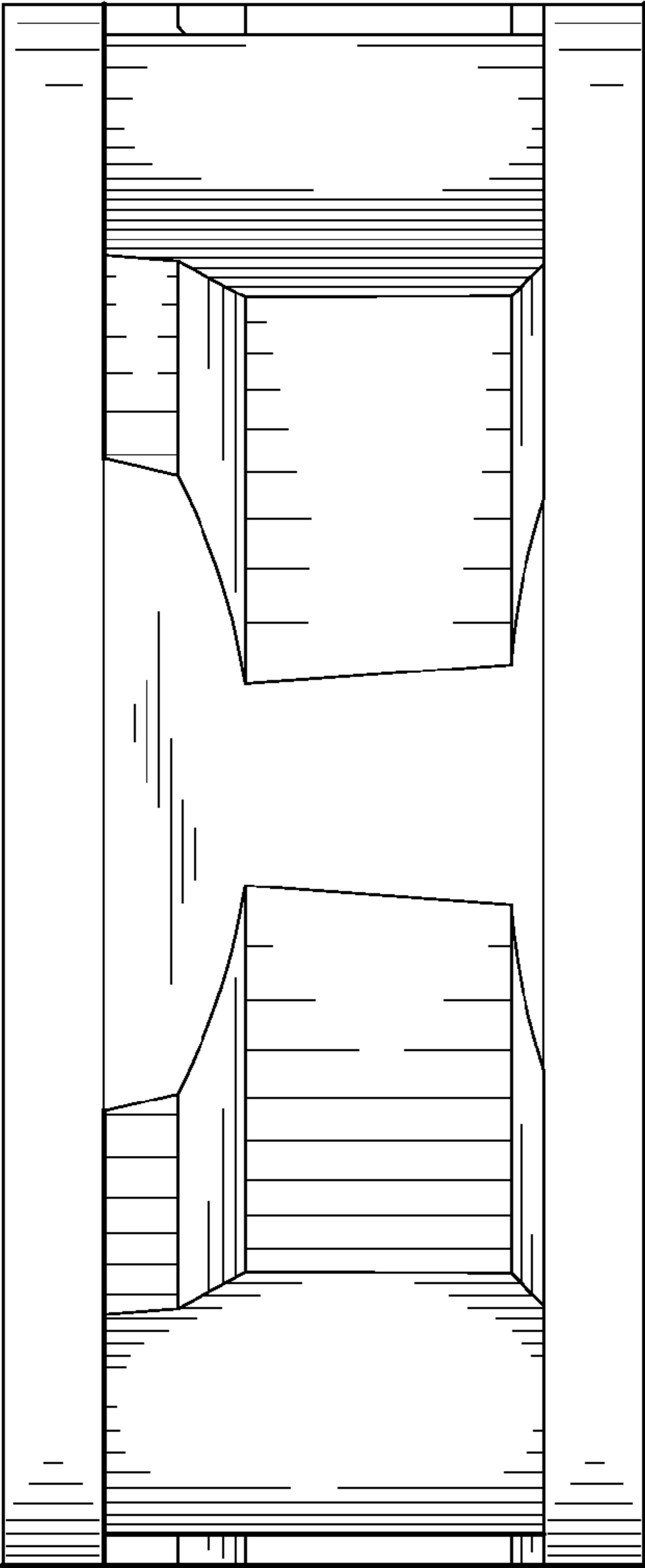


FIG. 4

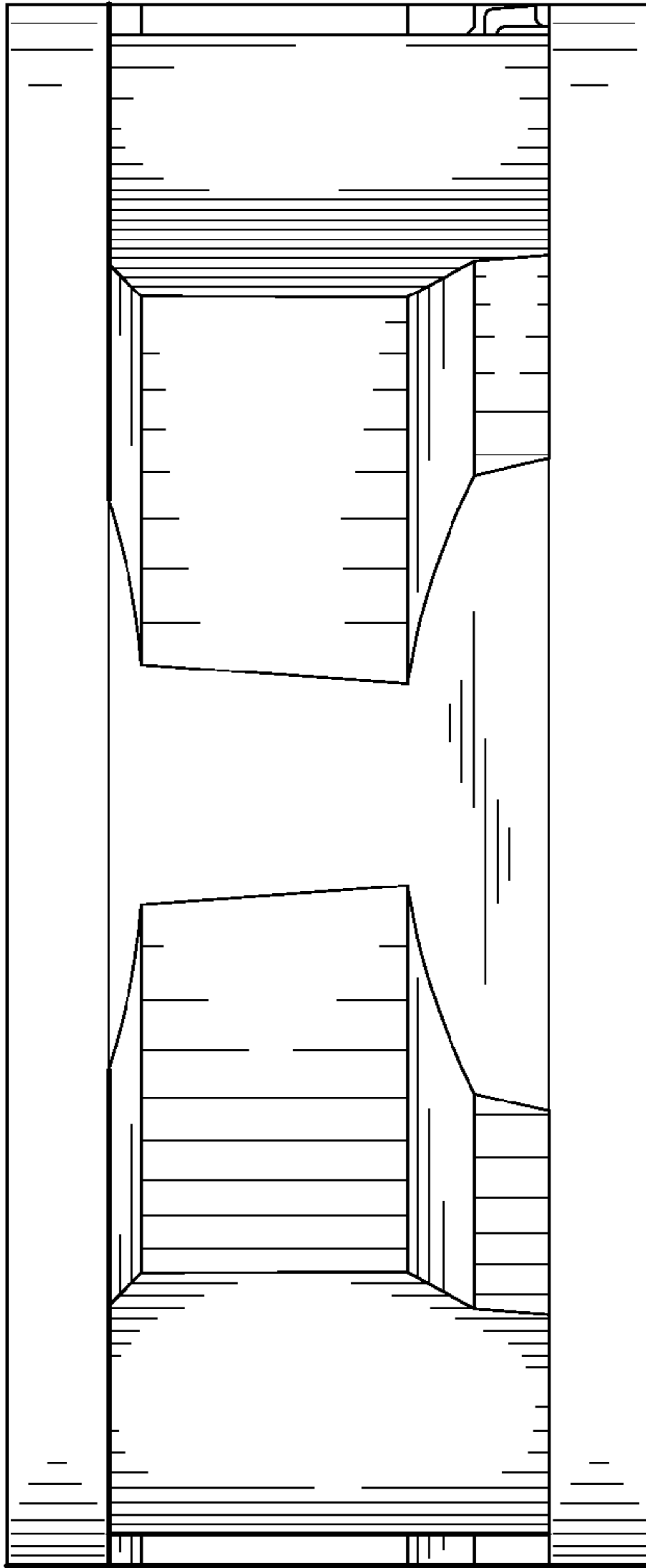


FIG. 5

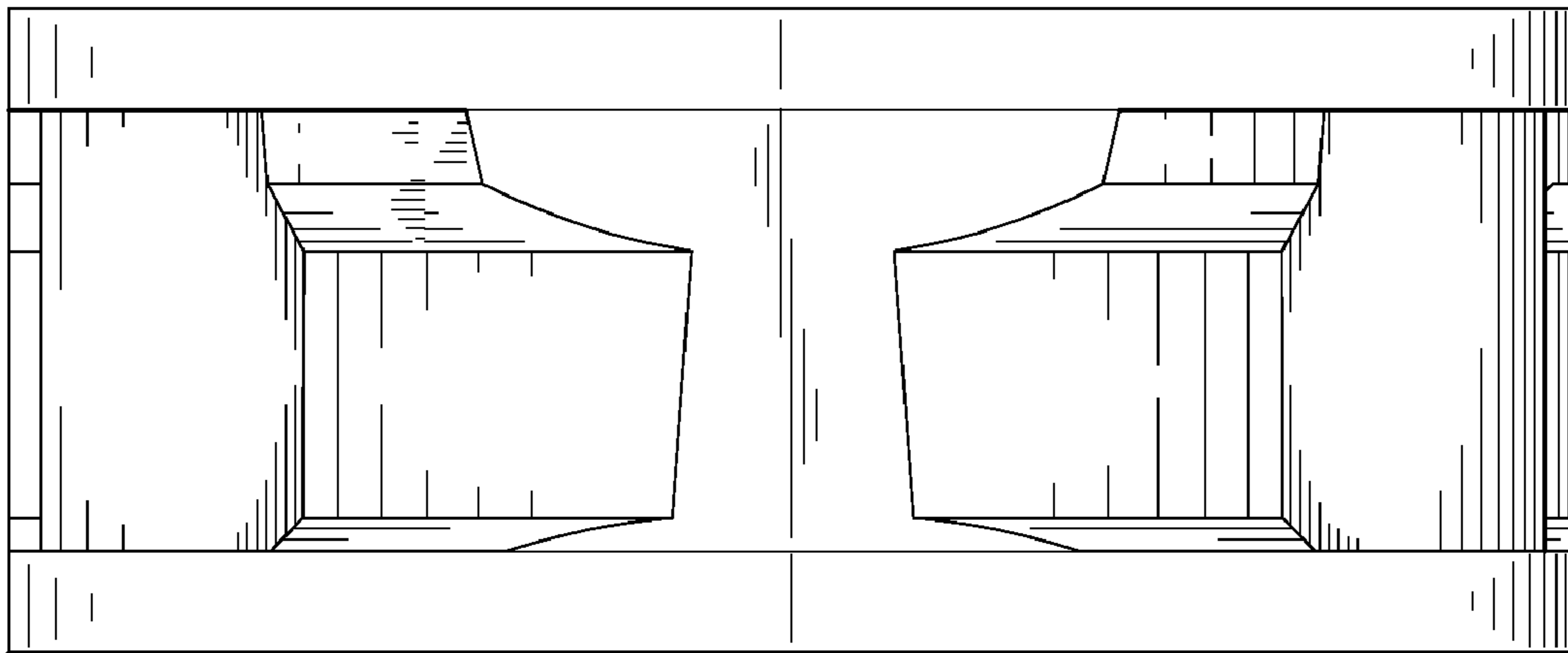


FIG. 6

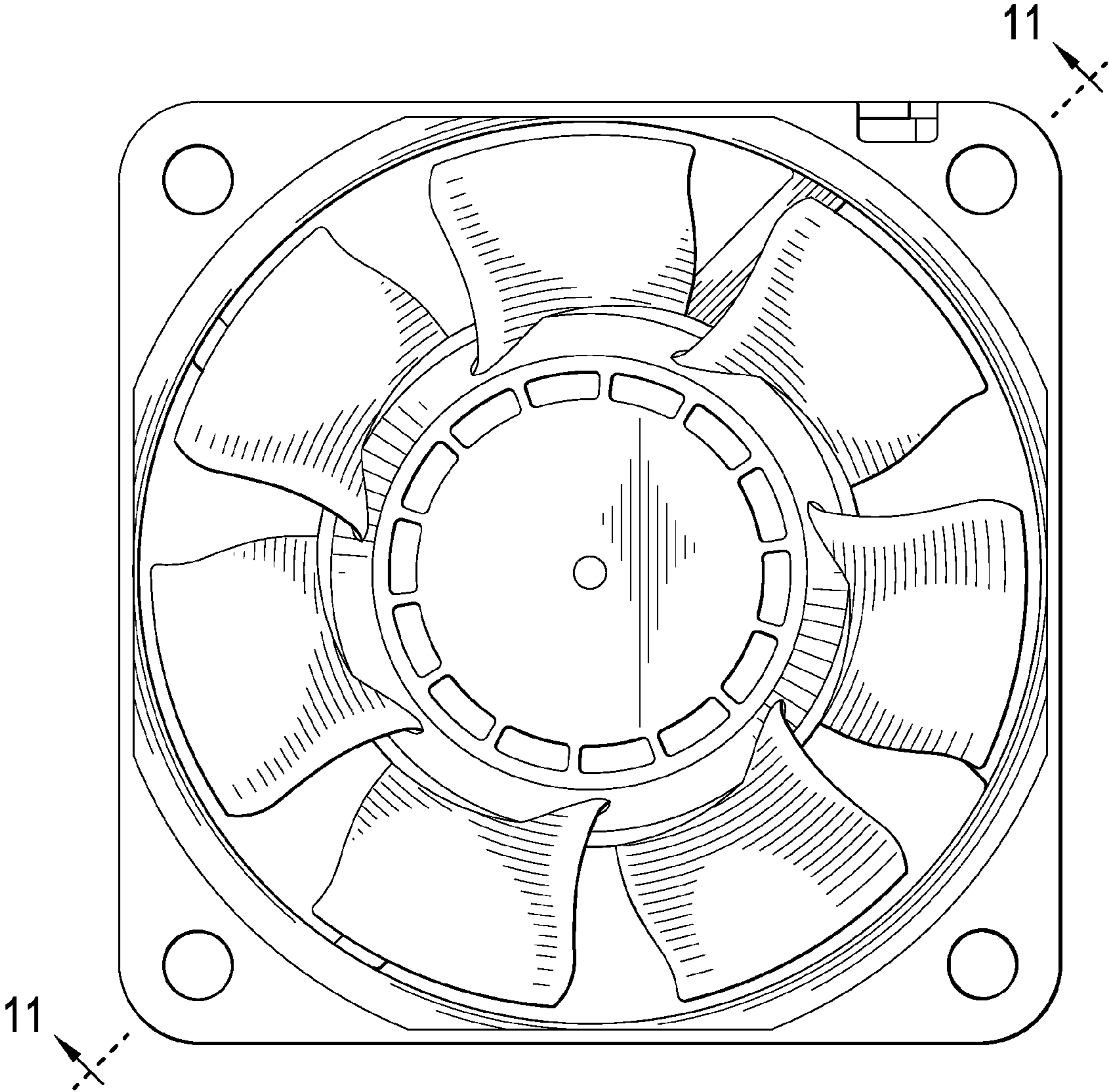


FIG. 7

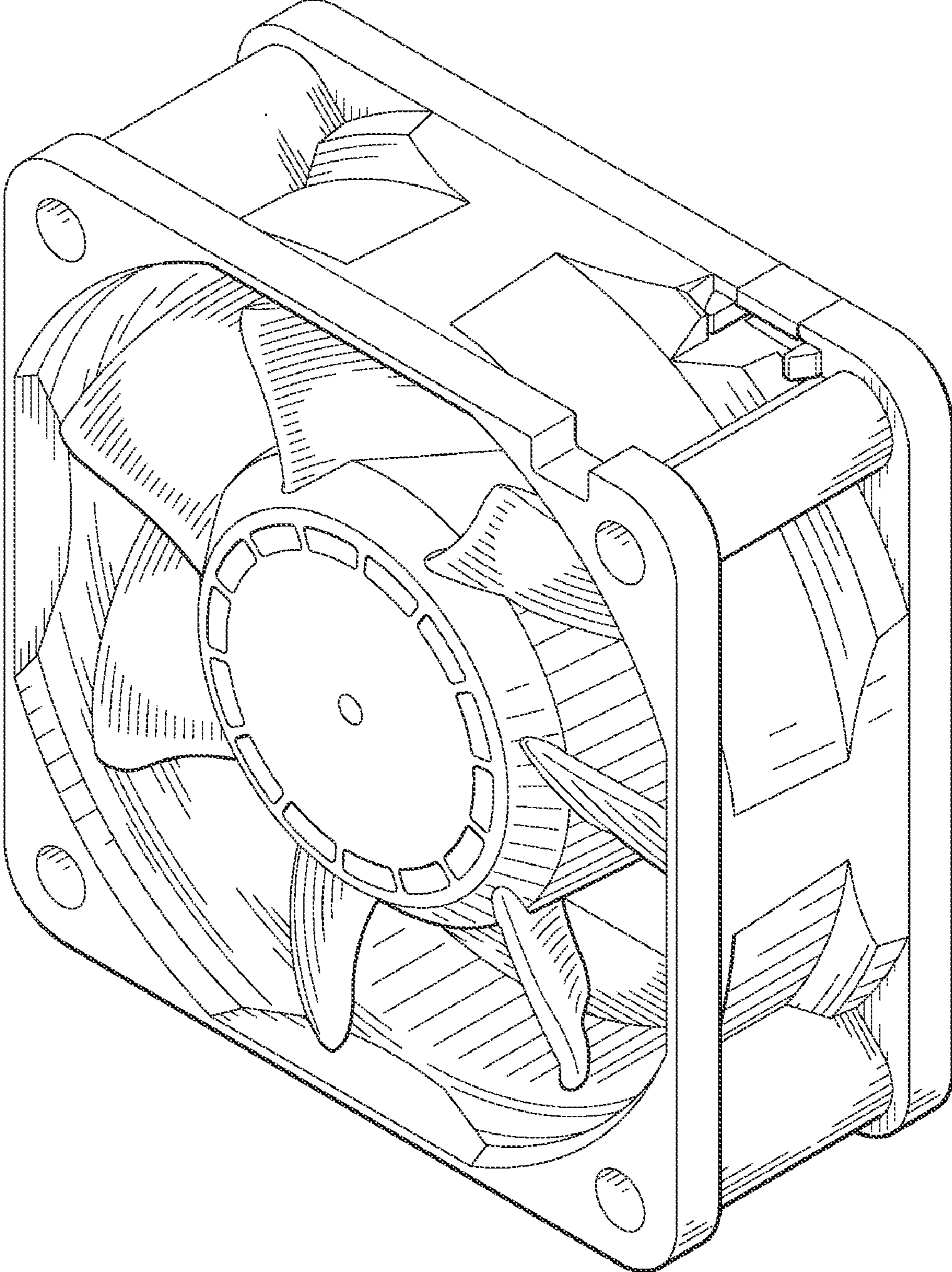


FIG. 8

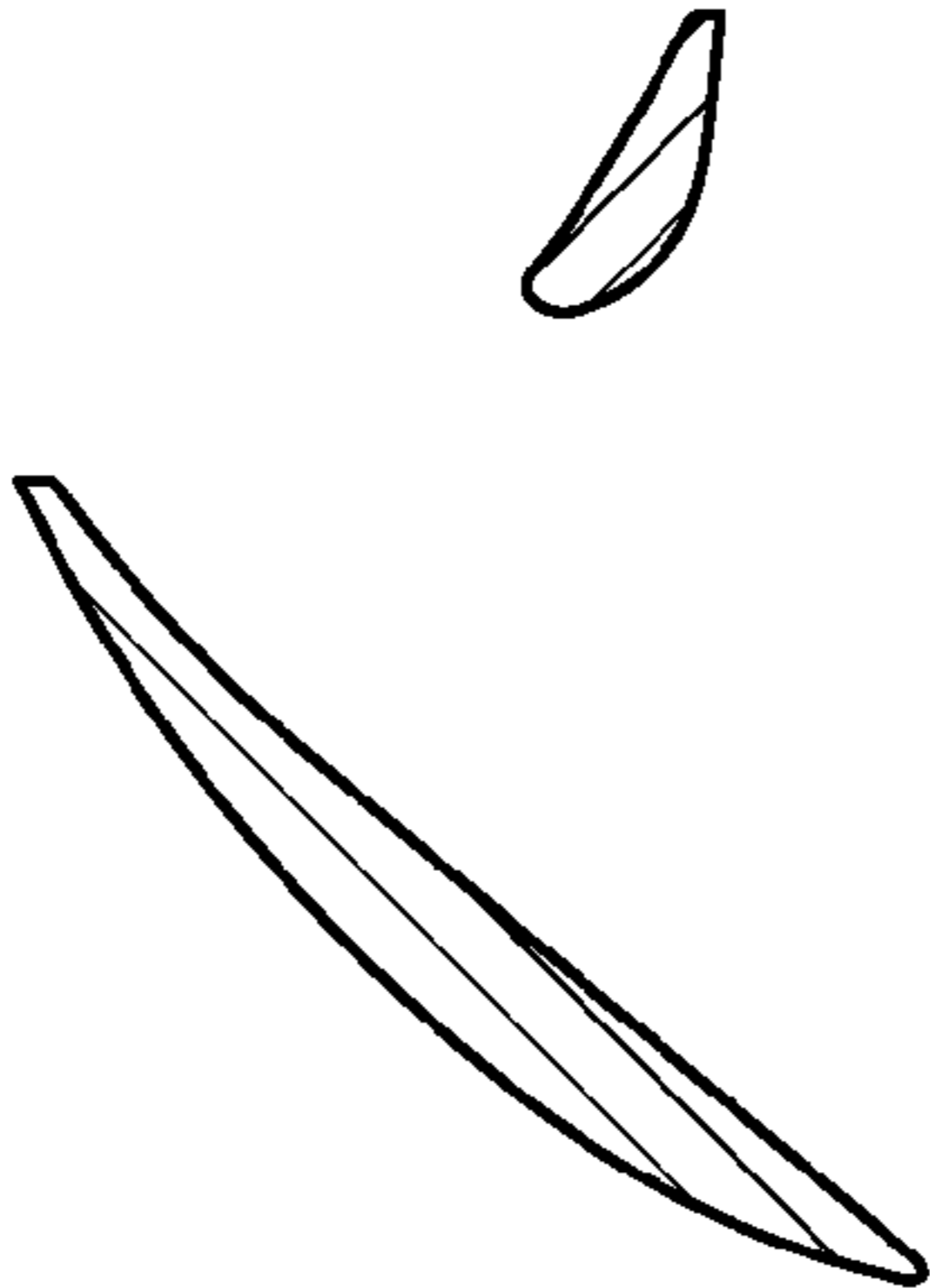


FIG. 9

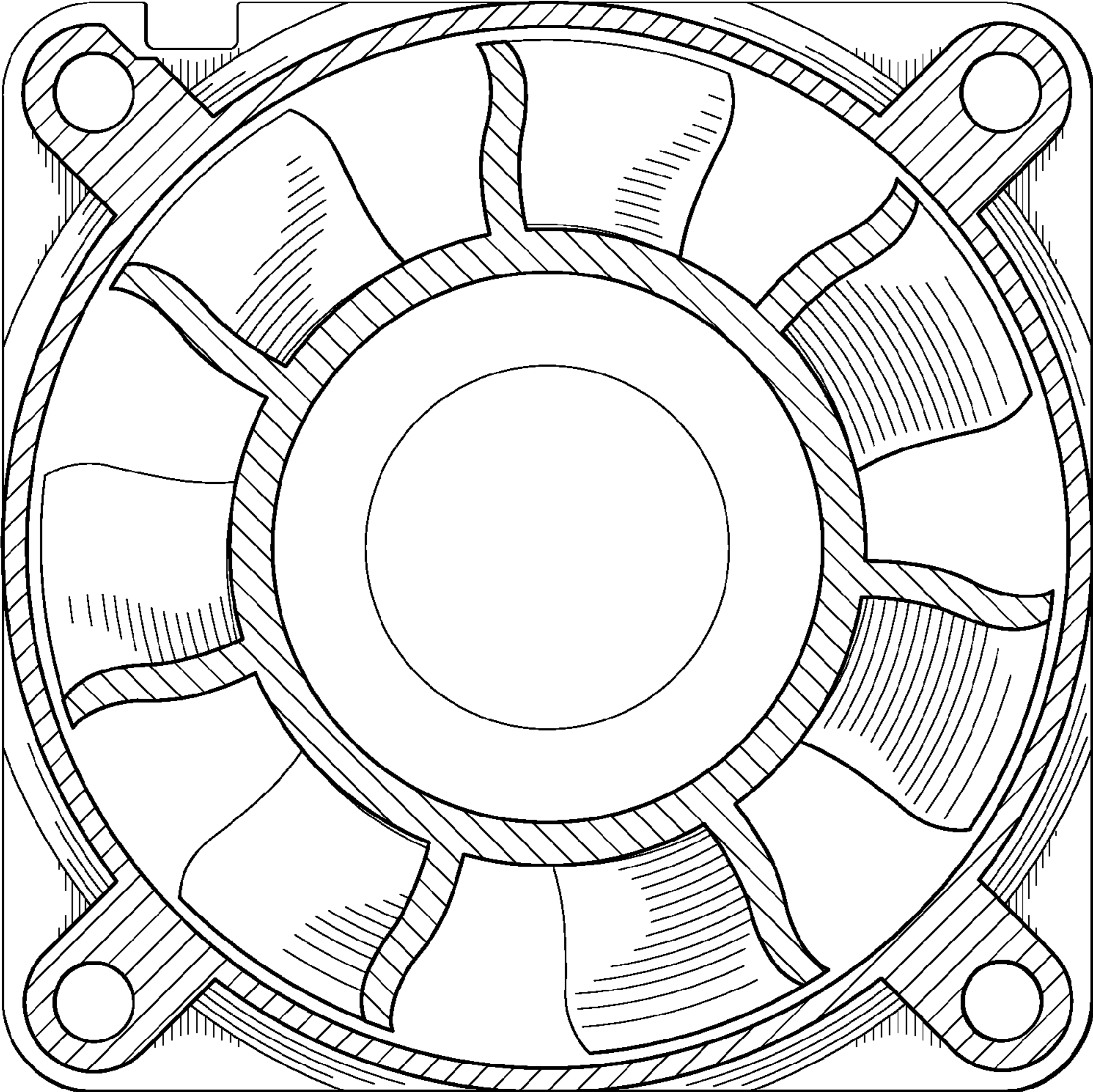


FIG. 10

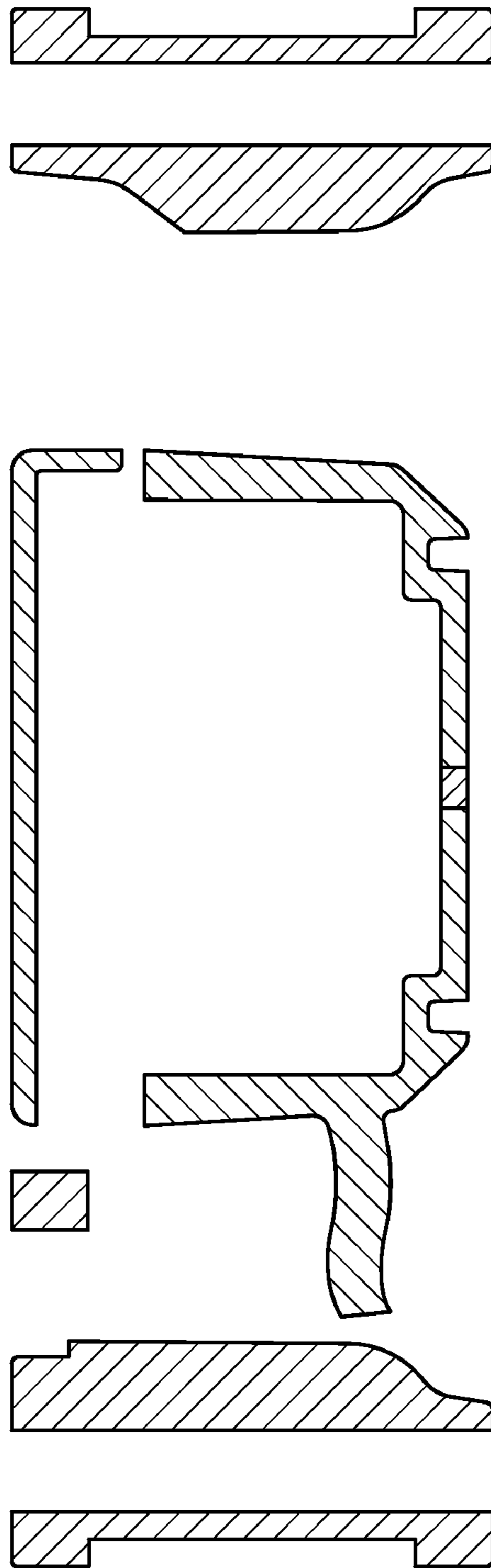


FIG. 11