



US00D637704S

(12) **United States Design Patent**
Dukes et al.

(10) **Patent No.:** **US D637,704 S**

(45) **Date of Patent:** **** May 10, 2011**

(54) **BASEBOARD HEATER**

(75) Inventors: **Jeffrey Dukes**, Cambridge (CA); **Kelly Stinson**, Cambridge (CA); **Ignazio Gallo**, Cambridge (CA)

(73) Assignee: **Dimplex North America Limited**, Cambridge, Ontario (CA)

(**) Term: **14 Years**

(21) Appl. No.: **29/364,312**

(22) Filed: **Jun. 22, 2010**

(51) **LOC (9) Cl.** **23-01**

(52) **U.S. Cl.** **D23/342**

(58) **Field of Classification Search** D23/317,
D23/332-342, 351, 355, 370, 378, 381, 364;
416/244 R, 247 R, 53.1, 53.2, 53.3; 392/365-369,
392/373-376

See application file for complete search history.

(56) **References Cited**

U.S. PATENT DOCUMENTS

1,221,422	A	4/1917	de la Poeze	
1,555,339	A	9/1925	Vaughan	
1,728,377	A	9/1929	Trane	
2,541,162	A	2/1951	Hermann	
3,091,289	A	5/1963	Weinstein	
3,867,981	A	2/1975	Monroe	
5,197,111	A	3/1993	Mills, II et al.	
D464,413	S *	10/2002	Shapiro et al. D23/335
6,541,743	B2	4/2003	Chen	

D477,864	S *	7/2003	Giugiaro	D23/328
6,609,664	B1	8/2003	Tamhane		
D484,960	S *	1/2004	Giugiaro	D23/328
D514,674	S *	2/2006	Blateri	D23/335
D567,347	S *	4/2008	Ching	D23/342
D568,975	S *	5/2008	Lim	D23/351
D599,455	S *	9/2009	Alexanderson	D23/351
D619,234	S *	7/2010	Nakamura et al.	D23/351
D621,492	S *	8/2010	Tanaka et al.	D23/351
2005/0265702	A1 *	12/2005	Birdsell et al.	392/368
2009/0085713	A1 *	4/2009	Tsang	338/23

FOREIGN PATENT DOCUMENTS

GB 2 261 723 5/1993

* cited by examiner

Primary Examiner — T. Chase Nelson

Assistant Examiner — Eric L Goodman

(57) **CLAIM**

The ornamental design for a baseboard heater, as shown and described.

DESCRIPTION

FIG. 1 is an isometric view of the baseboard heater;

FIG. 2 is a side view of a left side thereof;

FIG. 3 is a front view thereof;

FIG. 4 is a side view of a right side thereof;

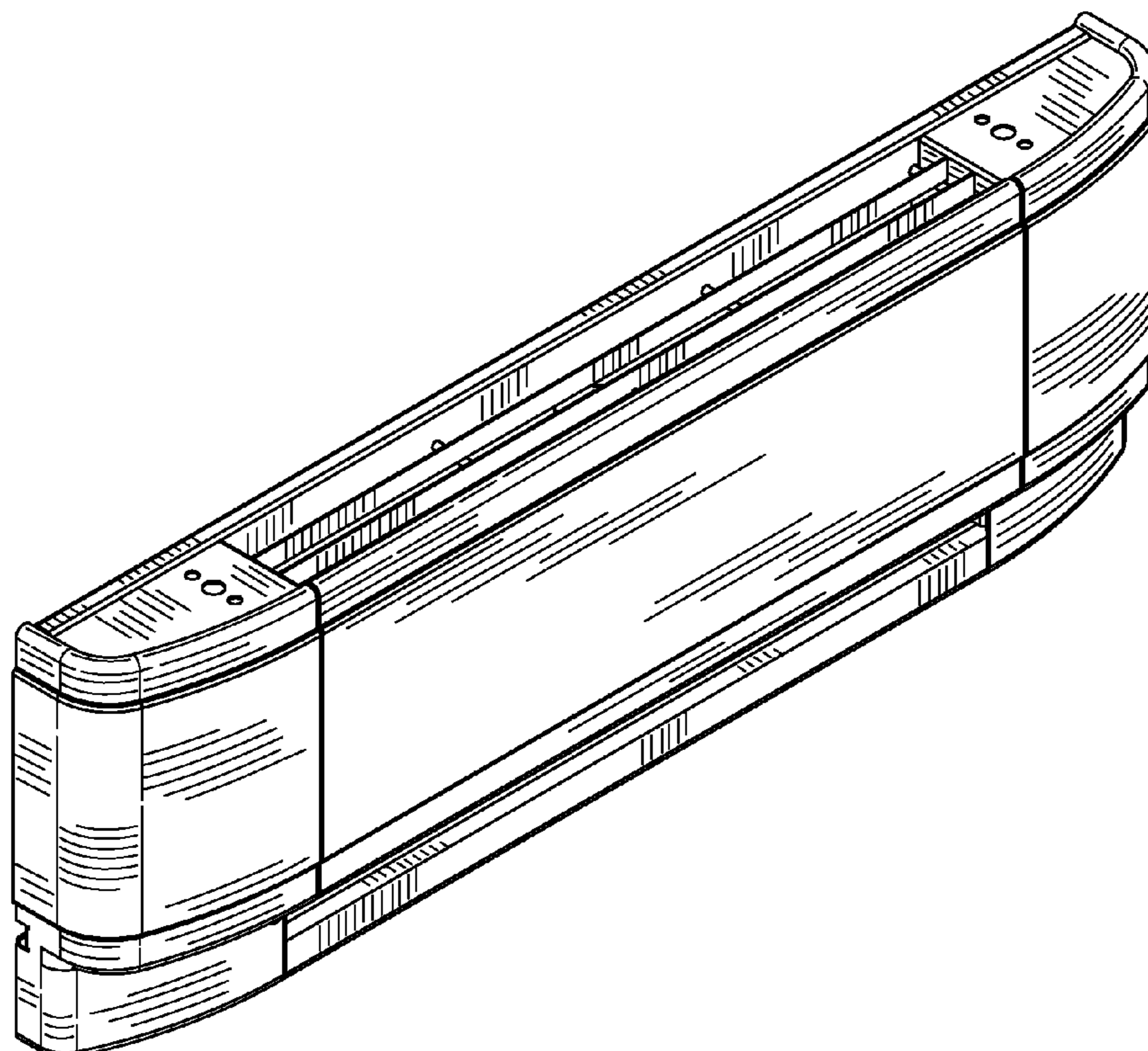
FIG. 5 is a back view thereof;

FIG. 6 is a top view thereof; and,

FIG. 7 is a bottom view thereof.

The broken lines illustrate portions of the baseboard heater that form no part of the claimed design.

1 Claim, 4 Drawing Sheets



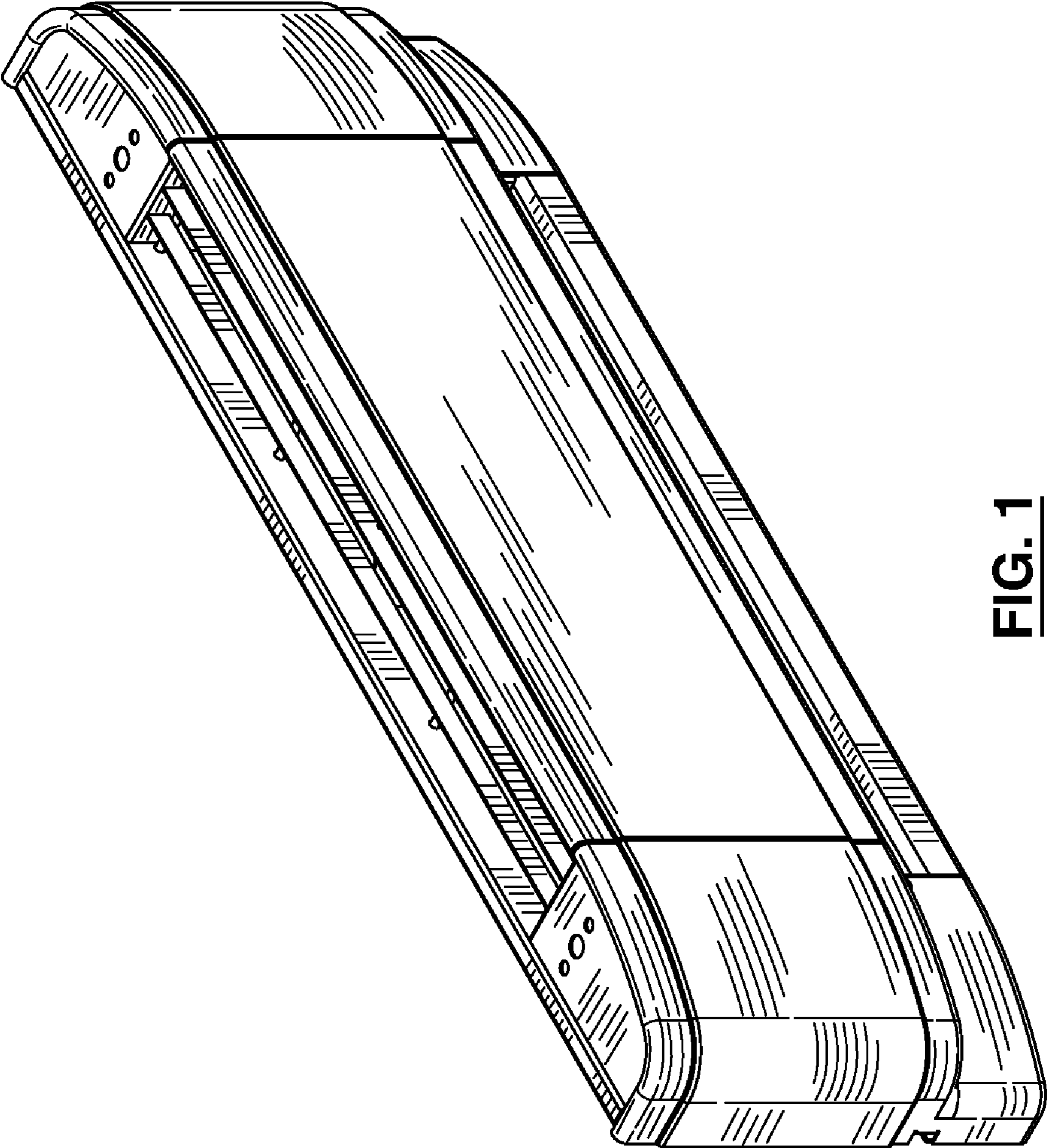


FIG. 1

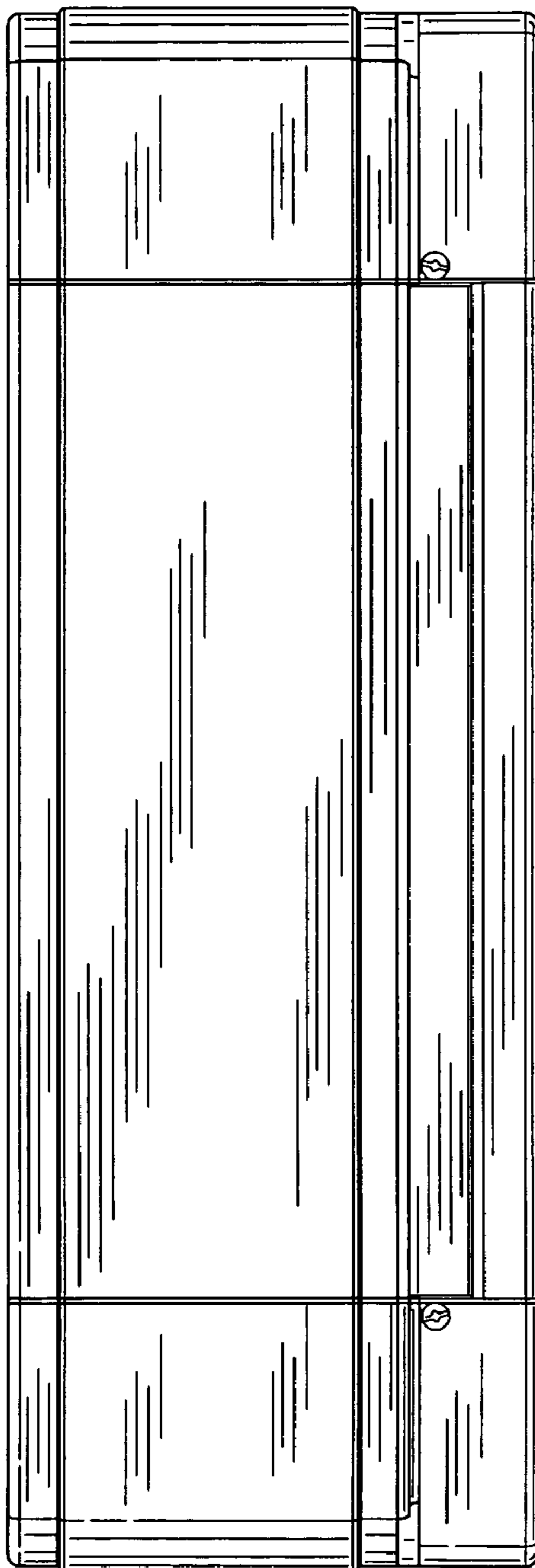


FIG. 3

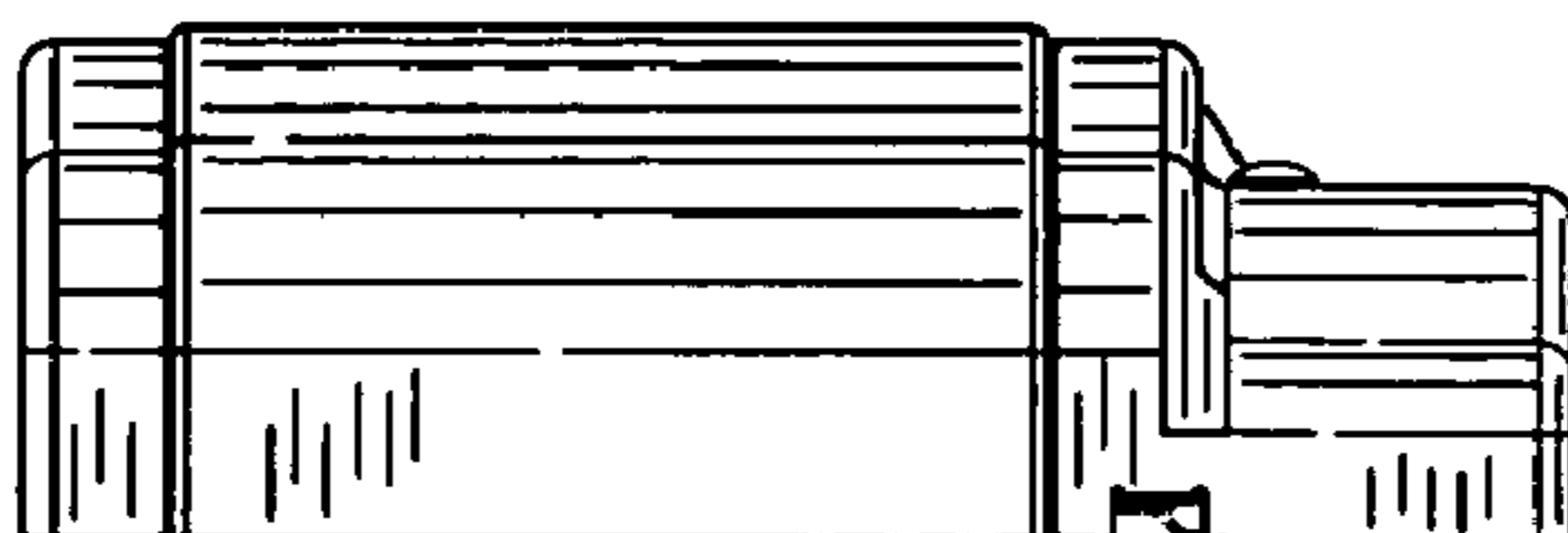


FIG. 2

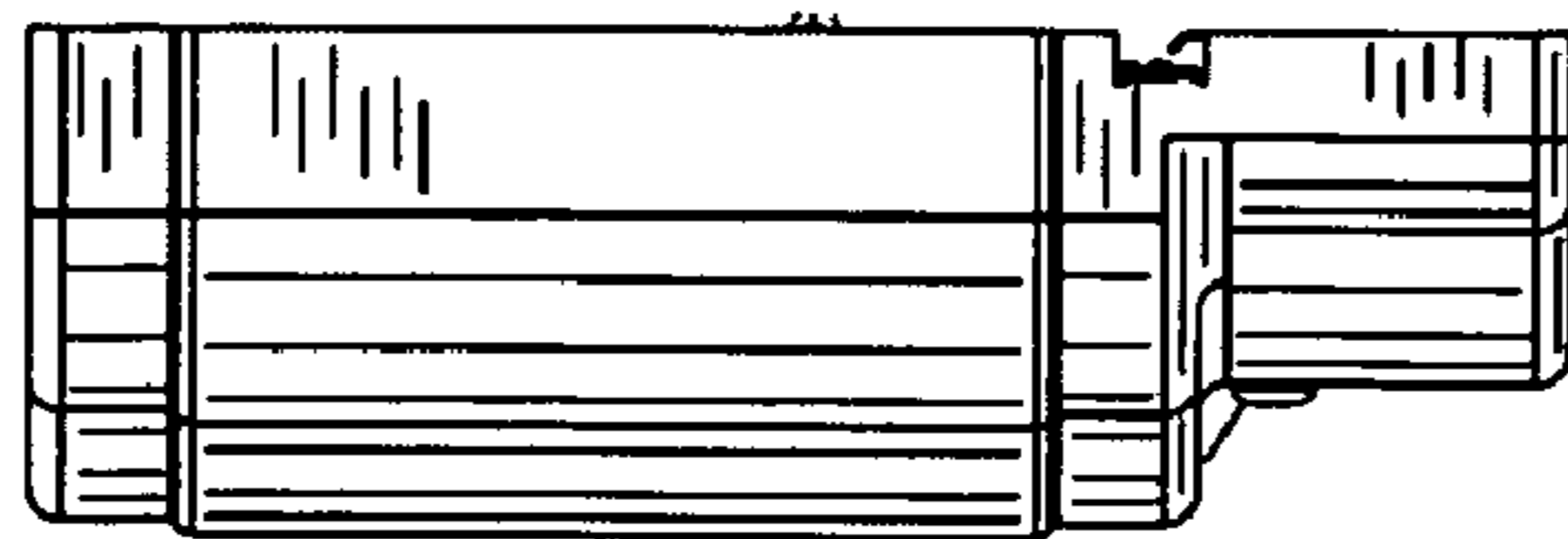


FIG. 4

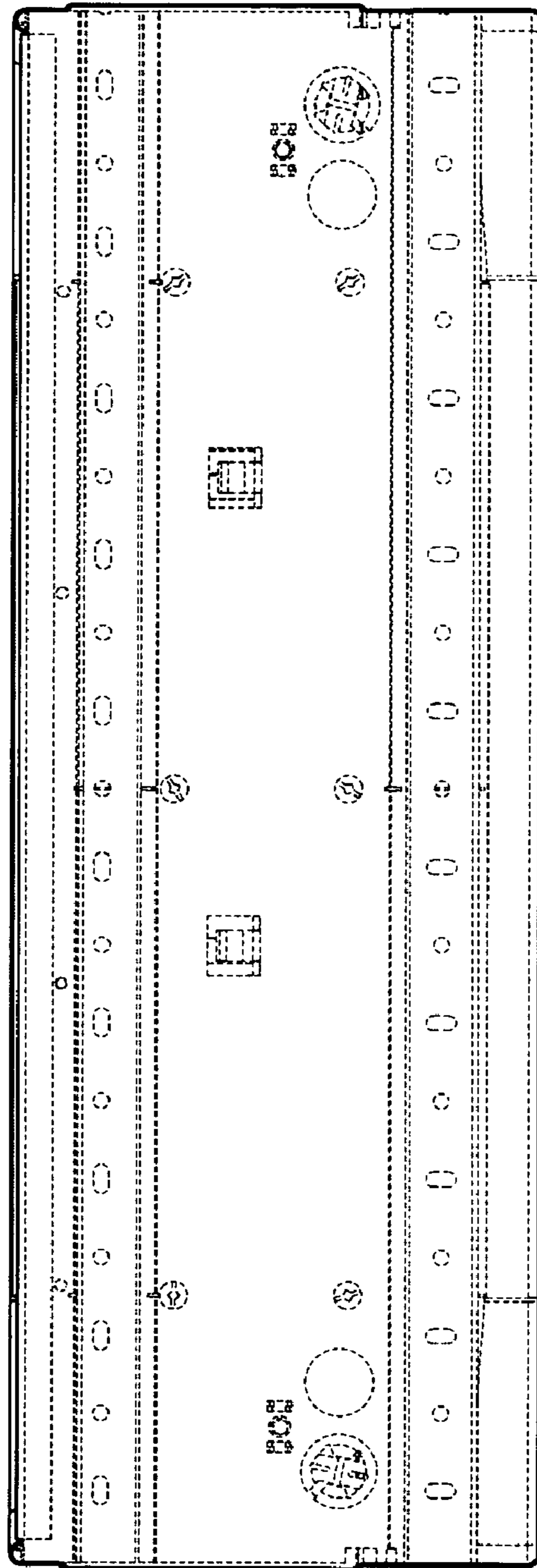


FIG. 5

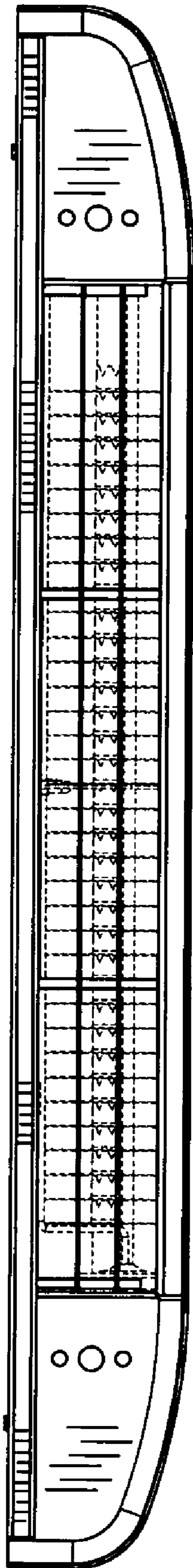


FIG. 6

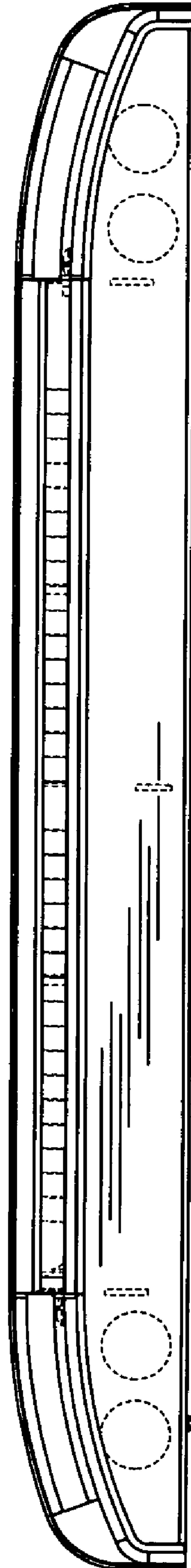


FIG. 7