



US00D637698S

(12) **United States Design Patent**
Greene

(10) **Patent No.:** **US D637,698 S**

(45) **Date of Patent:** **** May 10, 2011**

(54) **ANTI-SYPHON DEVICE**

(75) Inventor: **Timothy W. Greene**, Brooklyn Park,
MN (US)

(73) Assignee: **Quality Machine of Iowa, Inc.**,
Audubon, IA (US)

(**) Term: **14 Years**

(21) Appl. No.: **29/337,323**

(22) Filed: **May 19, 2009**

(51) **LOC (9) Cl.** **23-01**

(52) **U.S. Cl.** **D23/268**

(58) **Field of Classification Search** D23/259-269;
220/86.1, 86.3; 137/216-218, 119.04

See application file for complete search history.

(56) **References Cited**

U.S. PATENT DOCUMENTS

2,236,802	A *	4/1941	McDonald	138/113
2,891,565	A *	6/1959	Mackey	137/217
3,425,438	A	2/1969	Suffron		
3,822,717	A *	7/1974	Thorne-Symmons	137/218
3,951,297	A *	4/1976	Martin	220/86.3
D254,266	S *	2/1980	Tableriou	D23/262
4,326,641	A	4/1982	Wilken		
4,343,410	A *	8/1982	Lenda	220/86.1
4,438,862	A	3/1984	Bona		
4,650,087	A	3/1987	White		
5,025,946	A	6/1991	Butkovich et al.		
D342,957	S *	1/1994	George	D15/199
5,462,079	A *	10/1995	Loschelder et al.	137/216

5,476,185	A	12/1995	Jimerson		
D587,643	S	3/2009	Slagel		
D588,055	S	3/2009	Moya		
7,721,902	B2 *	5/2010	Grote et al.	220/86.3
2007/0228041	A1 *	10/2007	Wholey	220/86.3
2009/0134159	A1 *	5/2009	Wholey et al.	220/86.3
2010/0043890	A1 *	2/2010	Weigen	137/218

* cited by examiner

Primary Examiner — T. Chase Nelson

Assistant Examiner — Eric L Goodman

(74) *Attorney, Agent, or Firm* — Patterson Thunte
Christensen Pedersen P.A.

(57) **CLAIM**

I claim the ornamental design for an anti-syphon device, as shown and described.

DESCRIPTION

FIG. 1 is a perspective view of an anti-syphon device according to an embodiment of the invention.

FIG. 2 is a front elevational view of an anti-syphon device according to an embodiment of the invention.

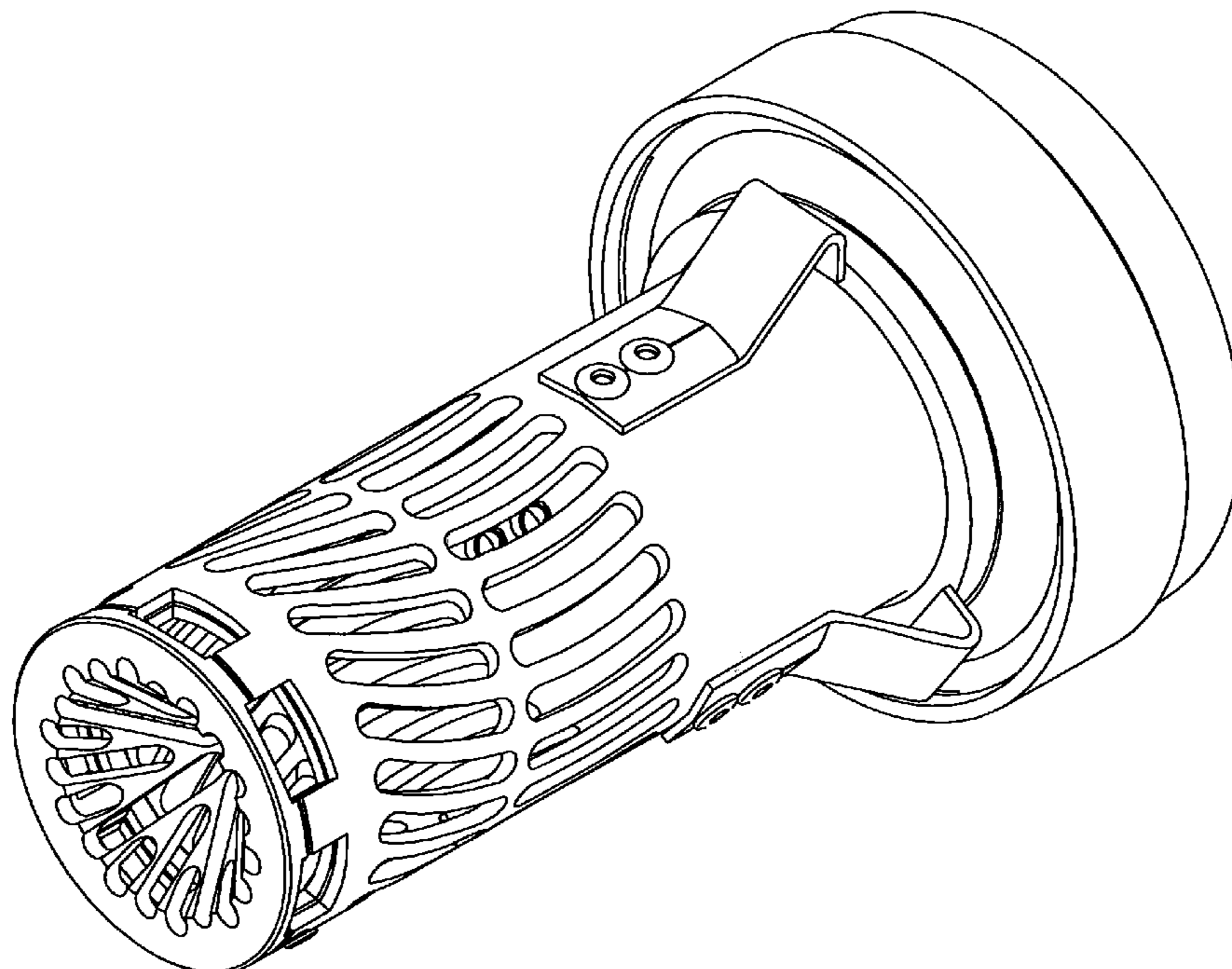
FIG. 3 is a rear elevational view of an anti-syphon device according to an embodiment of the invention.

FIG. 4 is a top plan view of an anti-syphon device according to an embodiment of the invention; and,

FIG. 5 is a bottom plan view of an anti-syphon device according to an embodiment of the invention.

Items shown in broken lines are for illustrative purposes only and form no part of the claimed design.

1 Claim, 5 Drawing Sheets



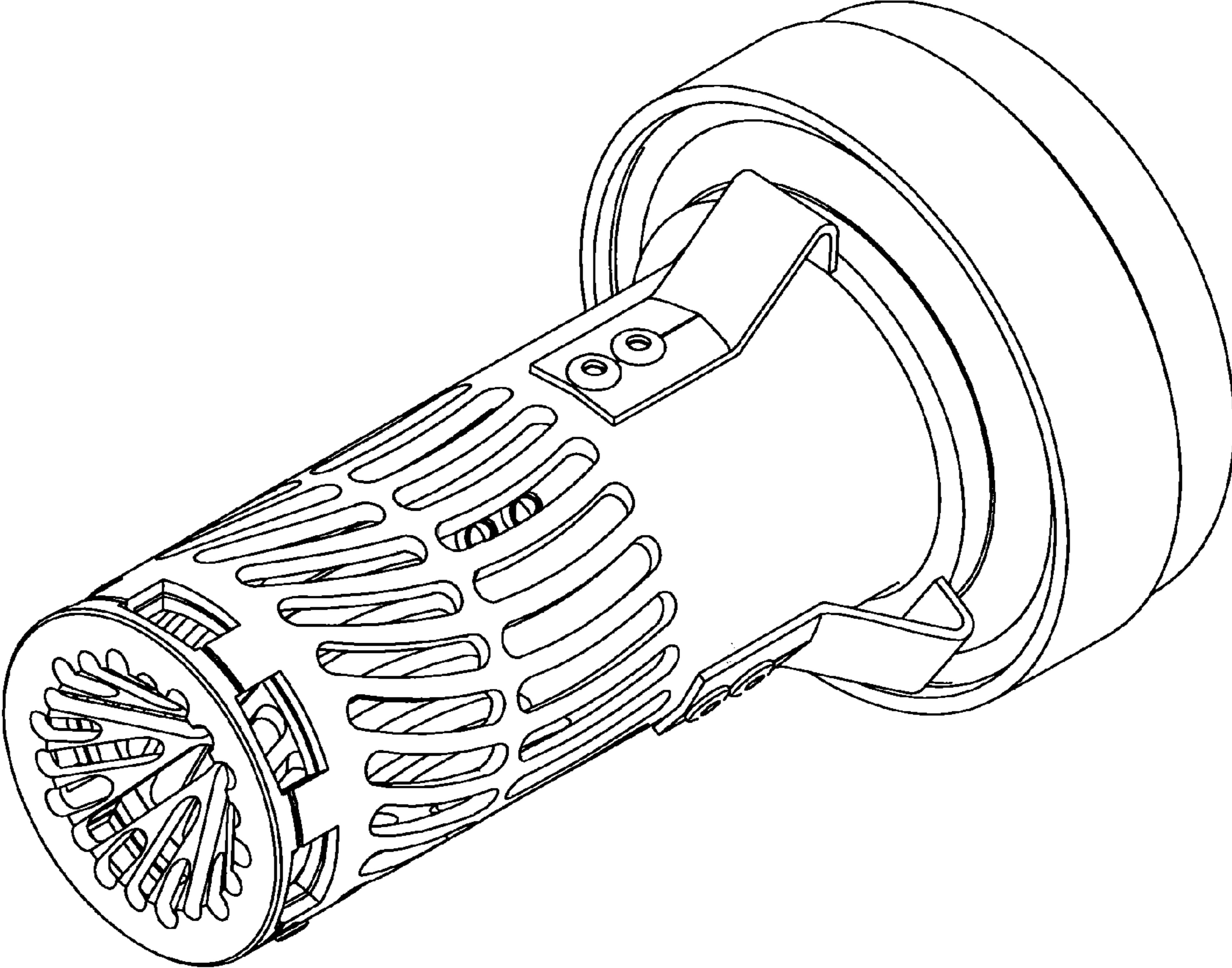


FIG. 1

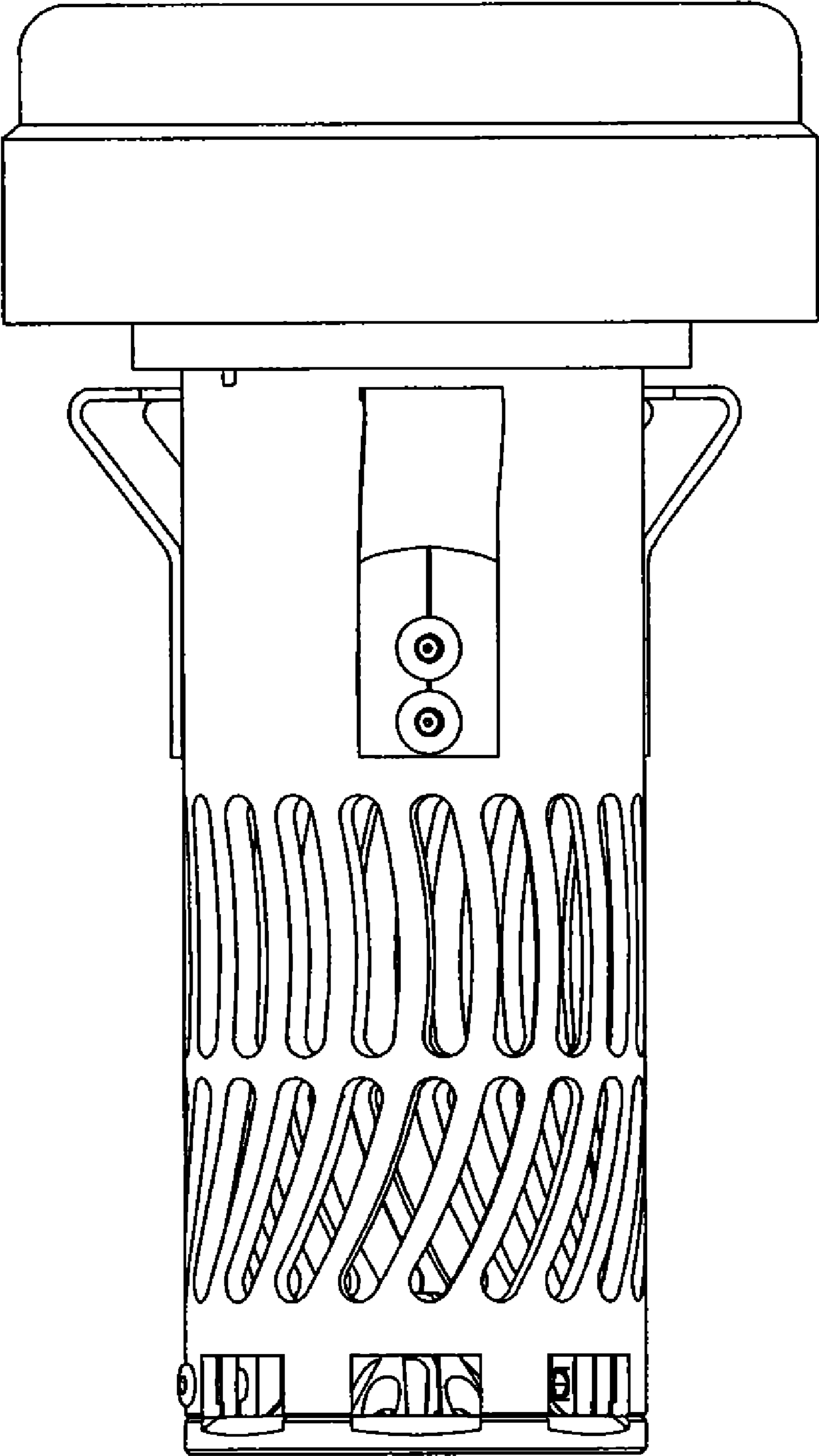


FIG. 2

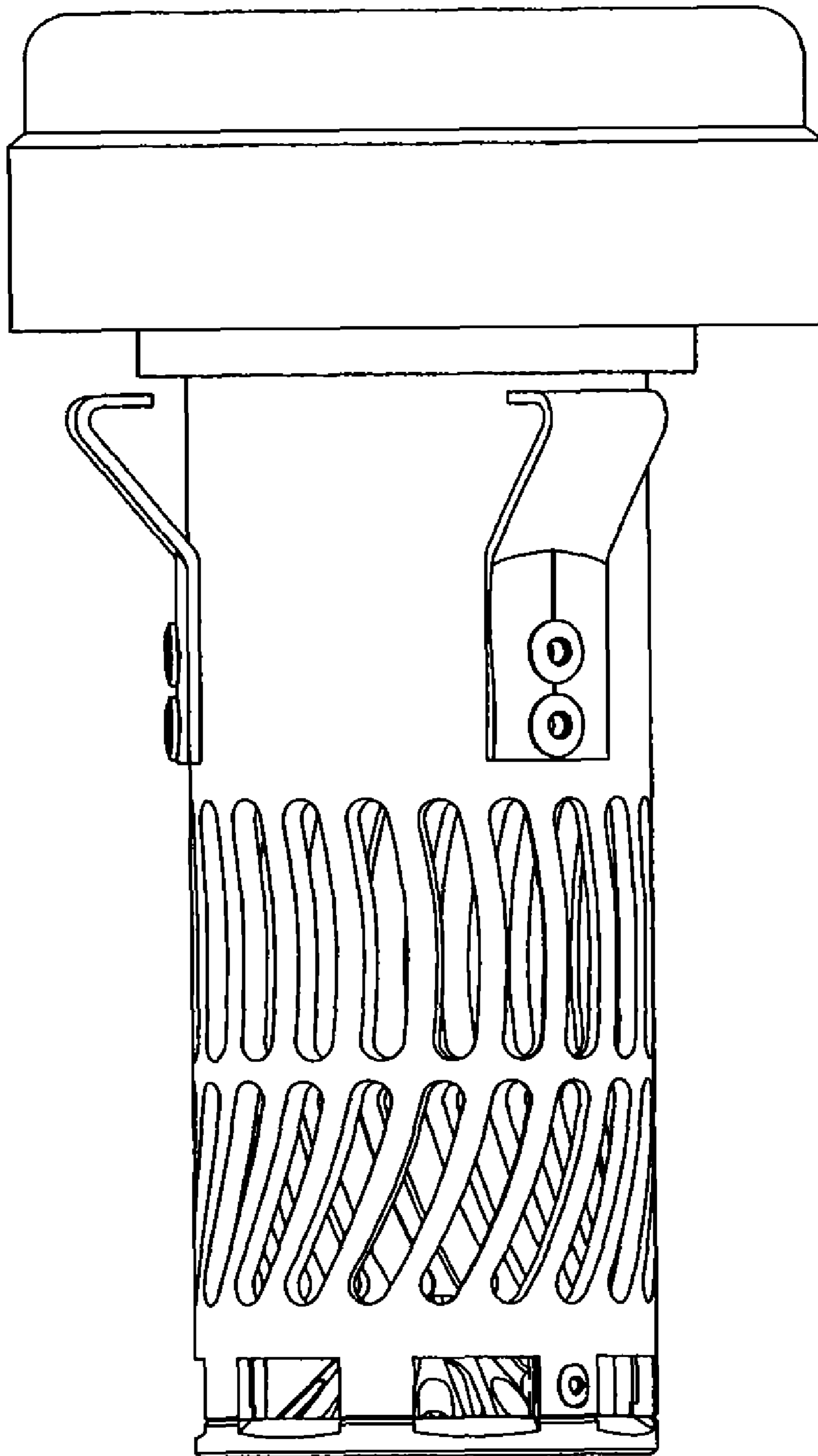


FIG. 3

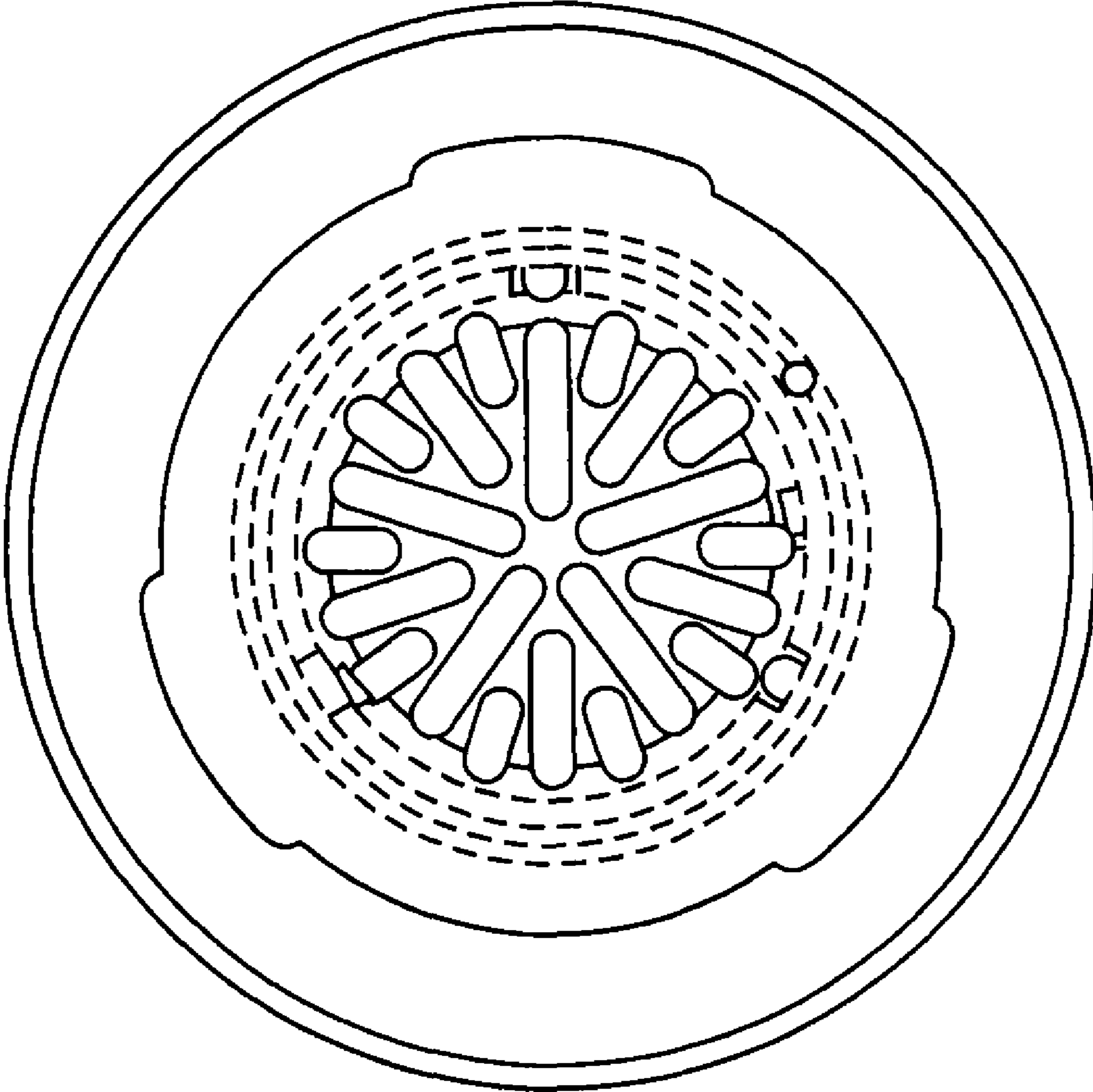


FIG. 4

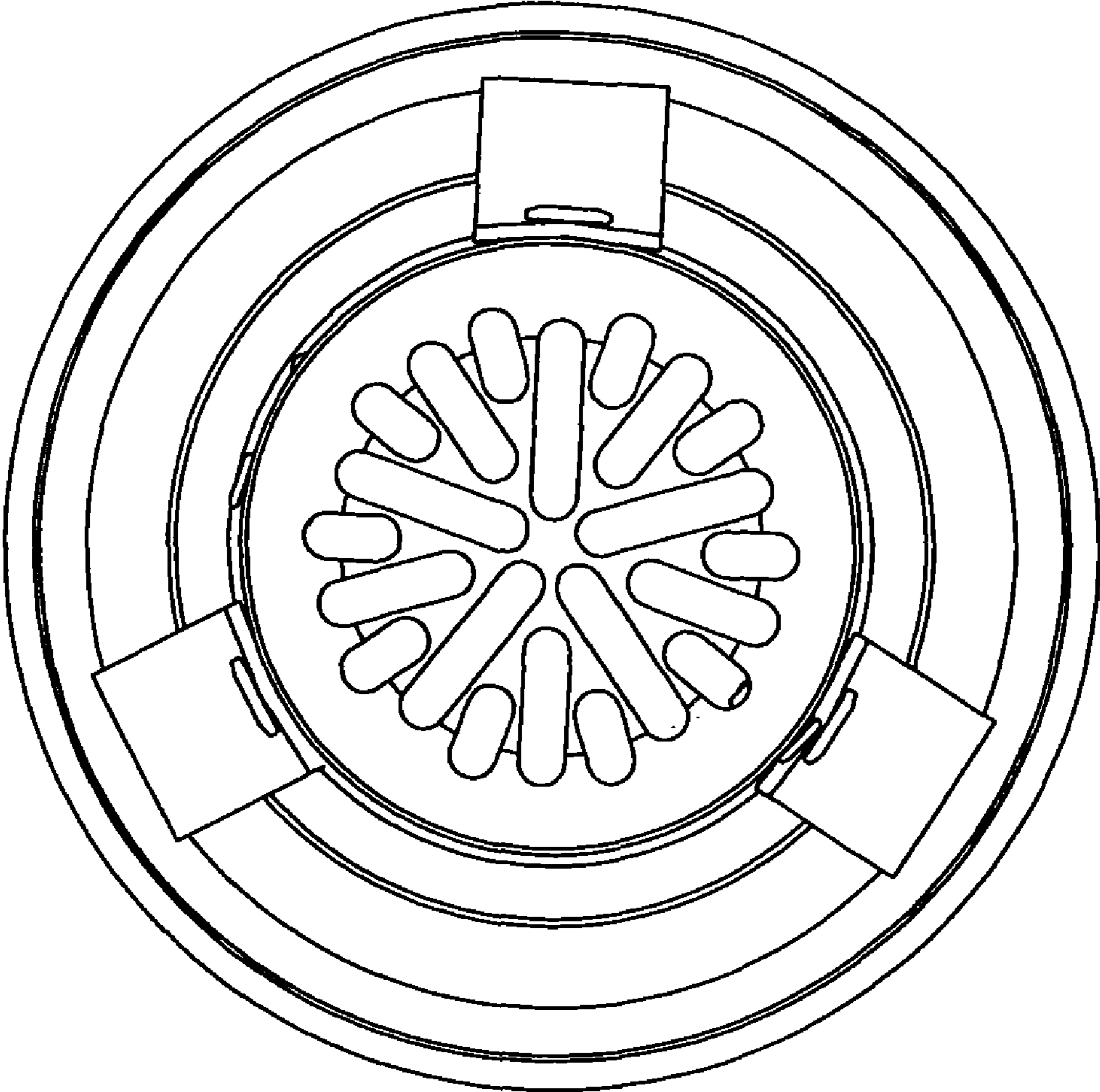


FIG. 5