



US00D637696S

(12) **United States Design Patent**
Ball et al.

(10) **Patent No.:** **US D637,696 S**
(45) **Date of Patent:** **** May 10, 2011**

(54) **FAUCET MOUNTING DEVICE**

(75) Inventors: **William T. Ball**, Colorado Springs, CO (US); **William L. Carlson**, Elbert, CO (US)

(73) Assignee: **WCM Industries, Inc.**, Colorado Springs, CO (US)

(**) Term: **14 Years**

(21) Appl. No.: **29/383,460**

(22) Filed: **Jan. 18, 2011**

Related U.S. Application Data

(60) Division of application No. 29/352,946, filed on Dec. 30, 2009, now Pat. No. Des. 631,140, which is a continuation-in-part of application No. 12/115,223, filed on May 5, 2008.

(51) **LOC (9) Cl.** **23-01**

(52) **U.S. Cl.** **D23/259**

(58) **Field of Classification Search** D23/238,
D23/249, 259, 262; 137/356, 357, 359-360;
285/64, 158, 137.11

See application file for complete search history.

(56) **References Cited**

U.S. PATENT DOCUMENTS

D239,448	S	*	4/1976	Kazienko et al.	D23/259
D270,090	S	*	8/1983	Jennings	D24/155
4,473,244	A		9/1984	Hill		
5,535,776	A	*	7/1996	Kingman	137/359
5,803,508	A		9/1998	Lowella		
D408,895	S	*	4/1999	Lai	D23/238
5,906,401	A	*	5/1999	Viegner	285/90
6,142,172	A		11/2000	Shuler et al.		
6,195,818	B1	*	3/2001	Rodstein et al.	4/678
D450,814	S	*	11/2001	Aldred et al.	D23/259
6,360,770	B1	*	3/2002	Buchner et al.	137/315.12
6,431,204	B1		8/2002	Ball		
D477,385	S	*	7/2003	Hampton	D23/249

D478,652	S	*	8/2003	Lai	D23/238
D510,131	S	*	9/2005	Karasawa	D23/262
7,055,863	B1		6/2006	Commeville et al.		
D612,021	S	*	3/2010	Schmidt	D23/262
D631,139	S	*	1/2011	Ball et al.	D23/259
D631,140	S	*	1/2011	Ball et al.	D23/259
D631,141	S	*	1/2011	Ball et al.	D23/259
D633,988	S		3/2011	Ball et al.		

(Continued)

FOREIGN PATENT DOCUMENTS

JP 2005-54387 3/2005

OTHER PUBLICATIONS

“Hose Bib Supporter,” PerfectSett Product Sheet, 2006, p. 1.

(Continued)

Primary Examiner — T. Chase Nelson

Assistant Examiner — Eric L Goodman

(74) *Attorney, Agent, or Firm* — Sheridan Ross P.C.

(57) **CLAIM**

The ornamental design for a faucet mounting device, as shown and described.

DESCRIPTION

FIG. 1 is a perspective view of the faucet mounting device showing the new design;

FIG. 2 is a top plan view thereof;

FIG. 3 is a right elevation view thereof;

FIG. 4 is a left elevation thereof;

FIG. 5 is bottom plan view thereof;

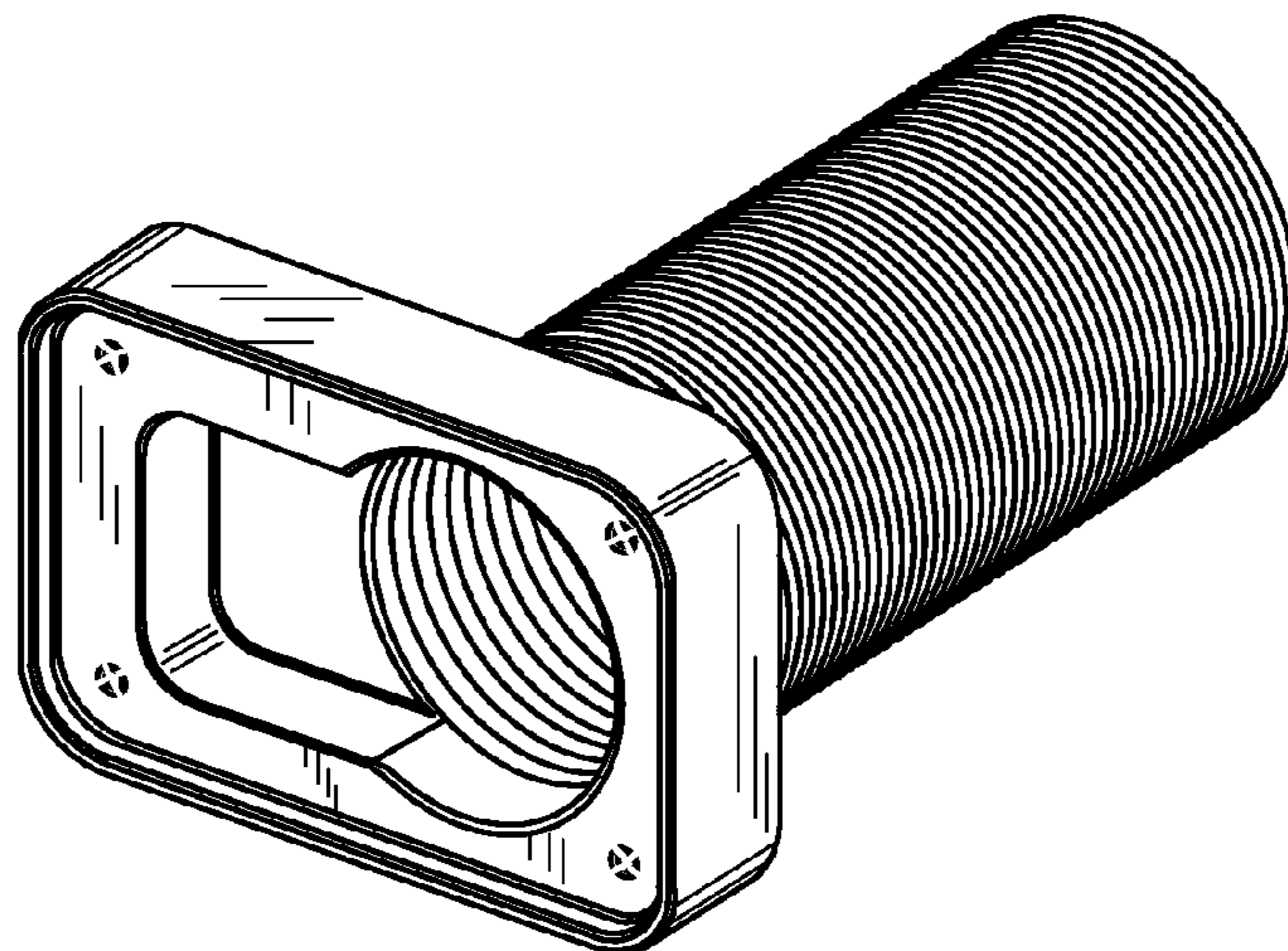
FIG. 6 is a front elevation view thereof;

FIG. 7 is a rear elevation view thereof; and,

FIG. 8 is a perspective view thereof shown associated with a faucet and a wall of a structure.

The broken lines in the figures comprise unclaimed subject matter and environment for illustrative purposes only and forms no part of the claimed design.

1 Claim, 3 Drawing Sheets



US D637,696 S

Page 2

U.S. PATENT DOCUMENTS

2004/0035064 A1 2/2004 Kugler et al.
2007/0157981 A1* 7/2007 Burns et al. 137/801
2009/0007971 A1 1/2009 Ball
2010/0116359 A1* 5/2010 Ball et al. 137/360
2010/0180375 A1* 7/2010 Meehan et al. 4/695

OTHER PUBLICATIONS

Official Action for Canadian Patent Application No. 2,636,578, dated Sep. 24, 2010.
Official Action for Canadian Patent Application No. 132120, dated Jan. 6, 2010.
Official Action for Canadian Patent Application No. 136095, dated Aug. 20, 2010.

Notice of Allowance for U.S. Appl. No. 29/352,945, mailed Oct. 6, 2010.

Official Action for U.S. Appl. No. 29/352,946, mailed Sep. 29, 2010.

Notice of Allowance for U.S. Appl. No. 29/352,946, mailed Nov. 10, 2010.

Official Action for U.S. Appl. No. 29/352,948, mailed Sep. 29, 2010.

Notice of Allowance for U.S. Appl. No. 29/352,948, mailed Oct. 27, 2010.

Official Action for U.S. Appl. No. 29/352,949, mailed Sep. 29, 2010.

Notice of Allowance for U.S. Appl. No. 29/352,949, mailed Oct. 25, 2010.

* cited by examiner

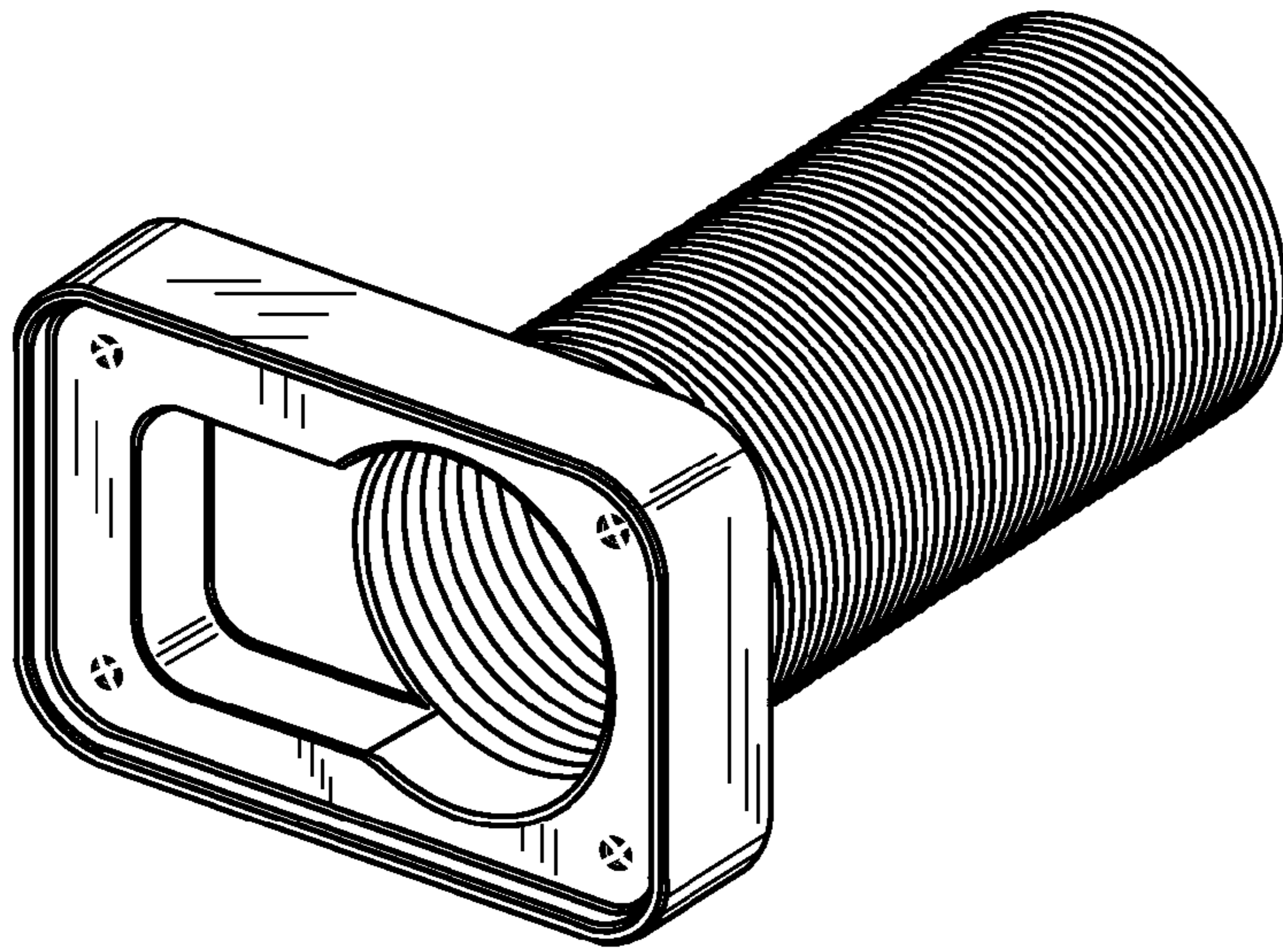


Fig. 1

Fig. 2

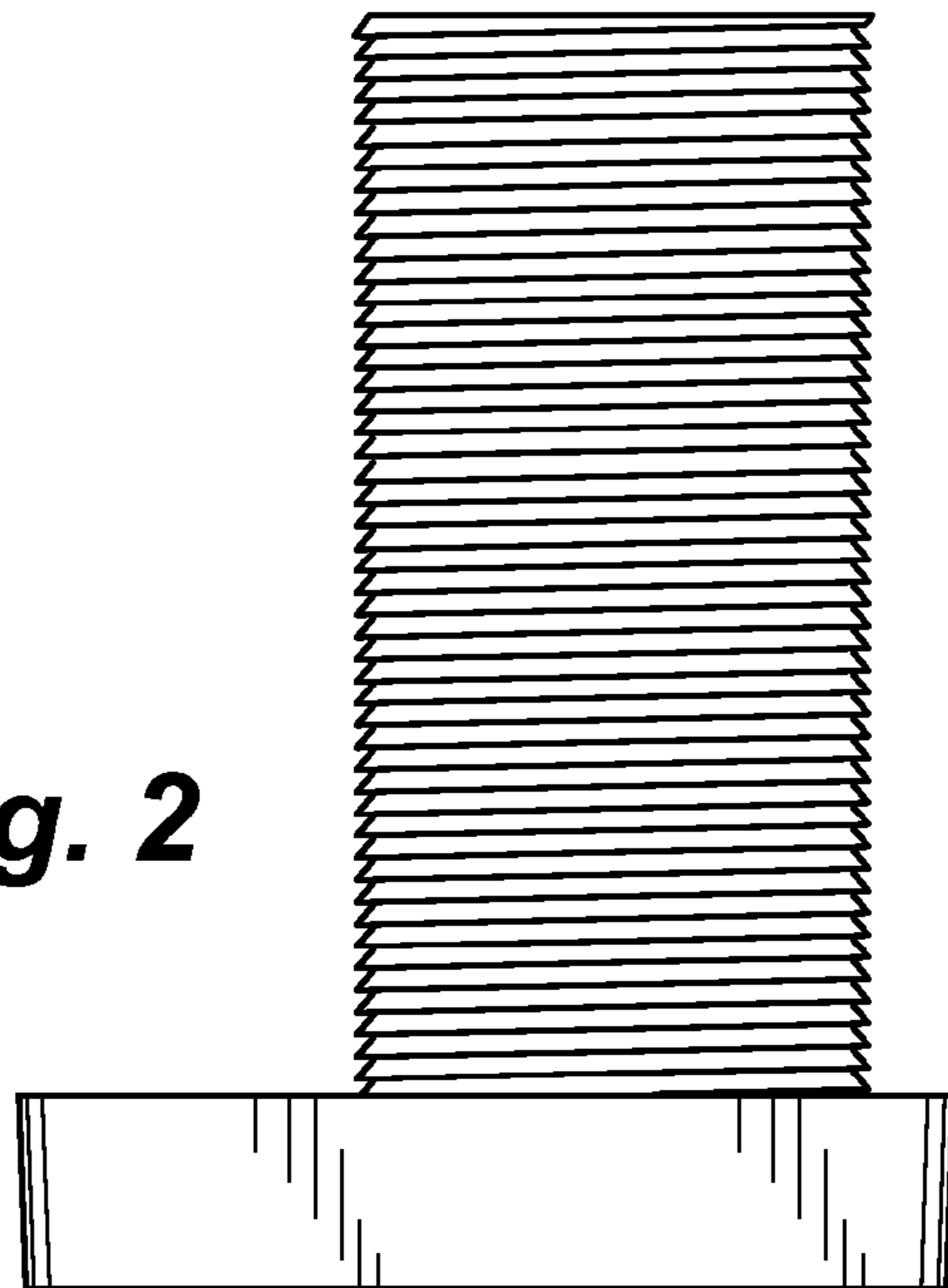


Fig. 3

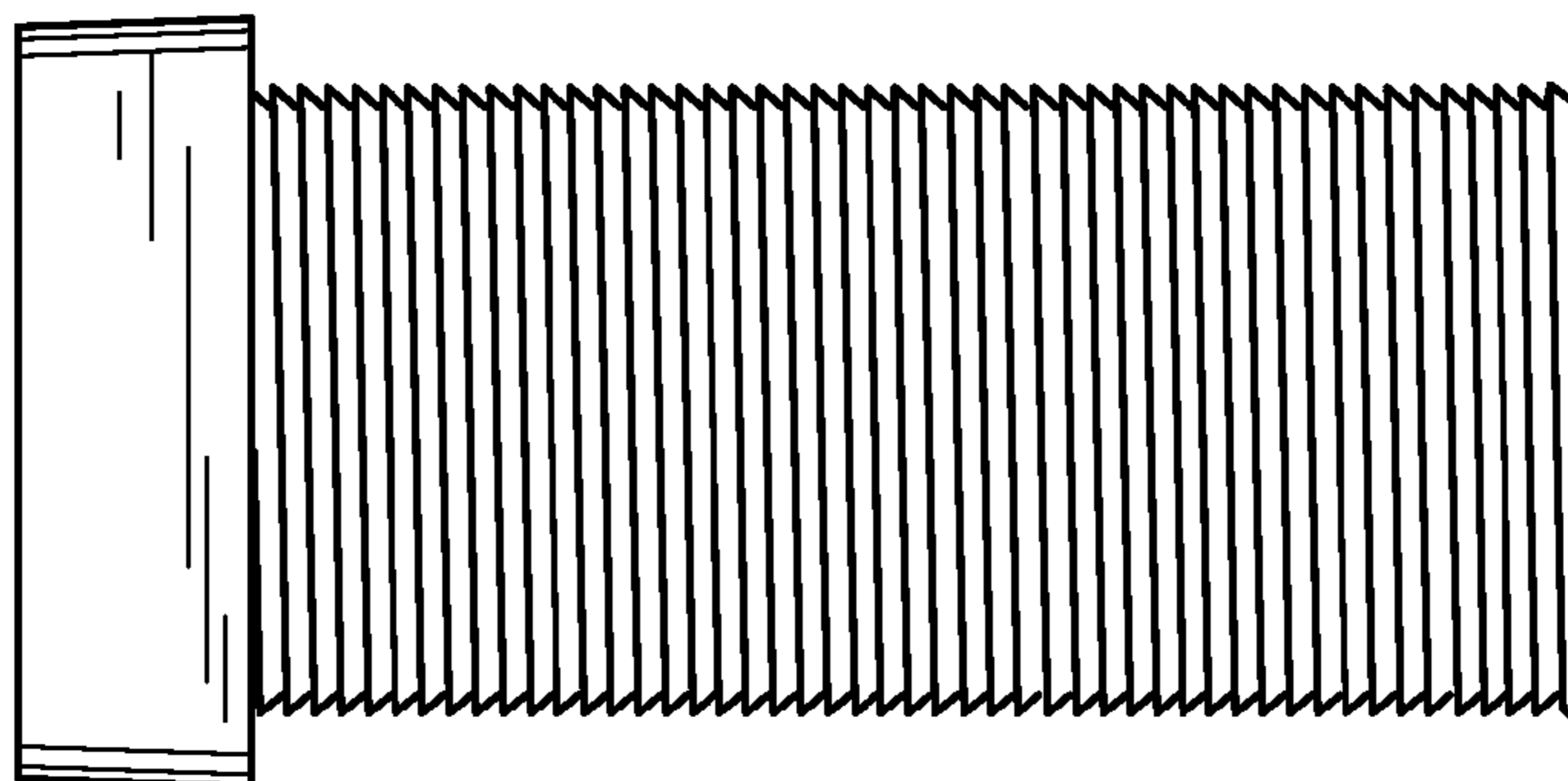


Fig. 4

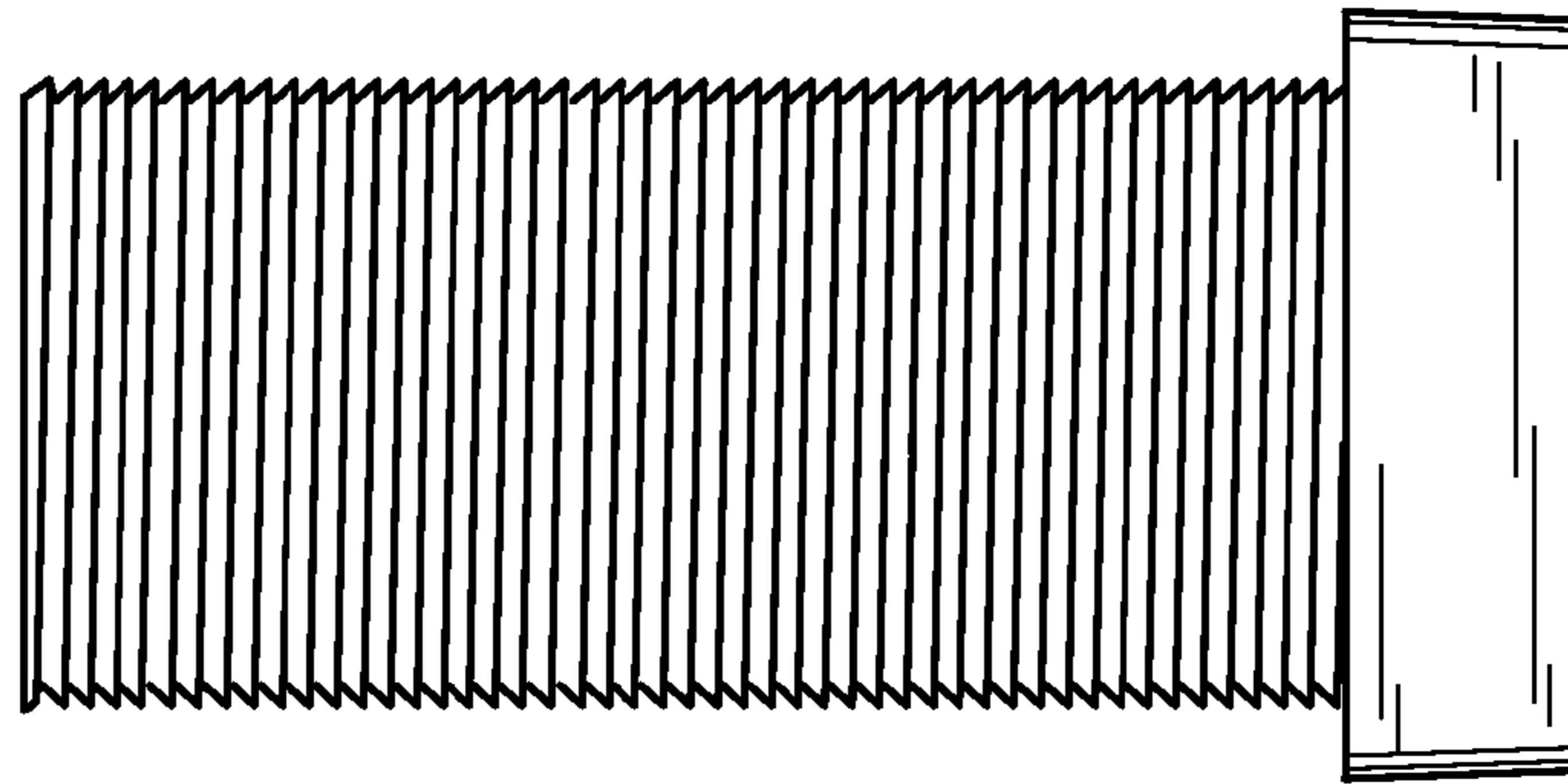


Fig. 5

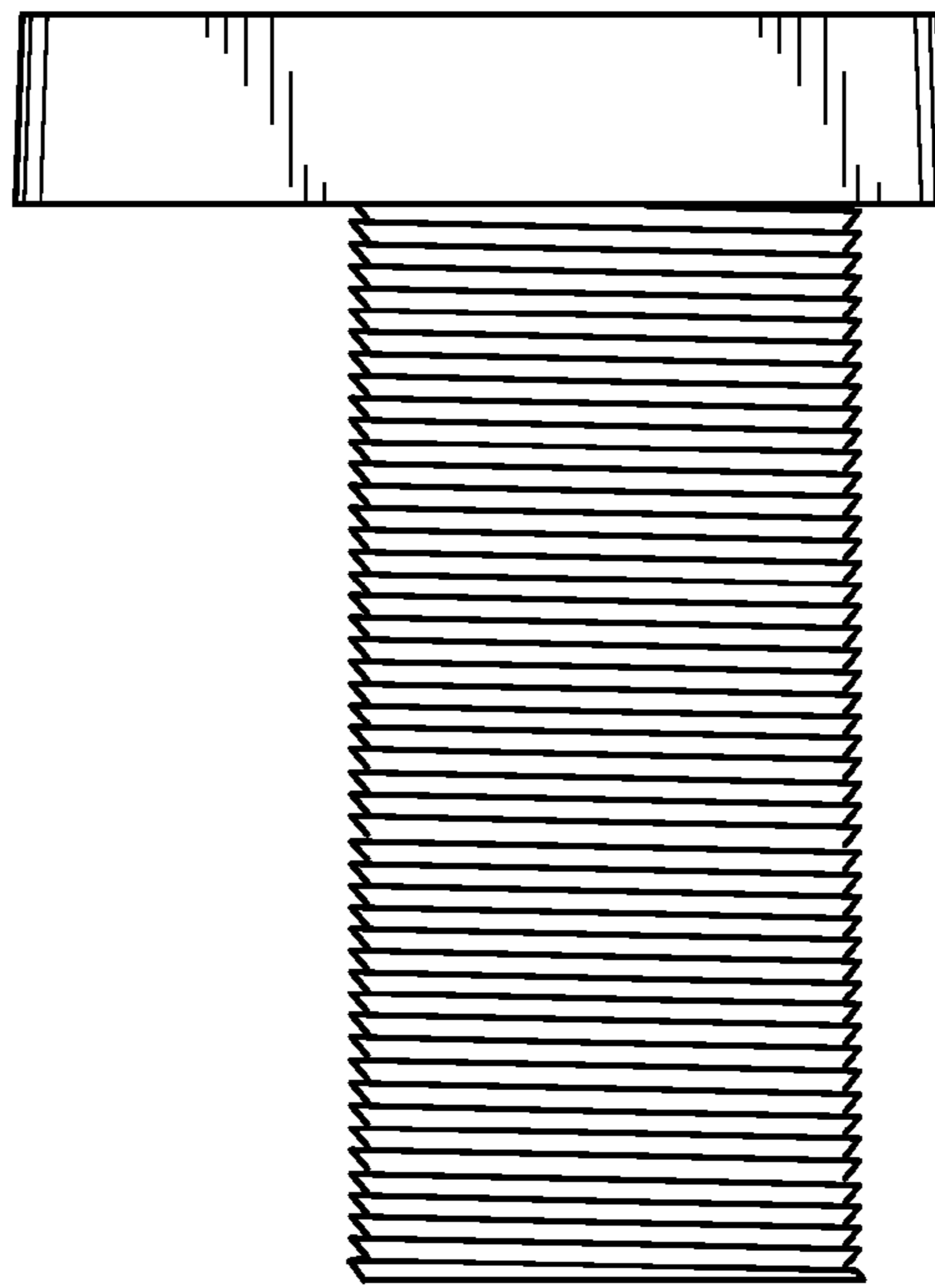
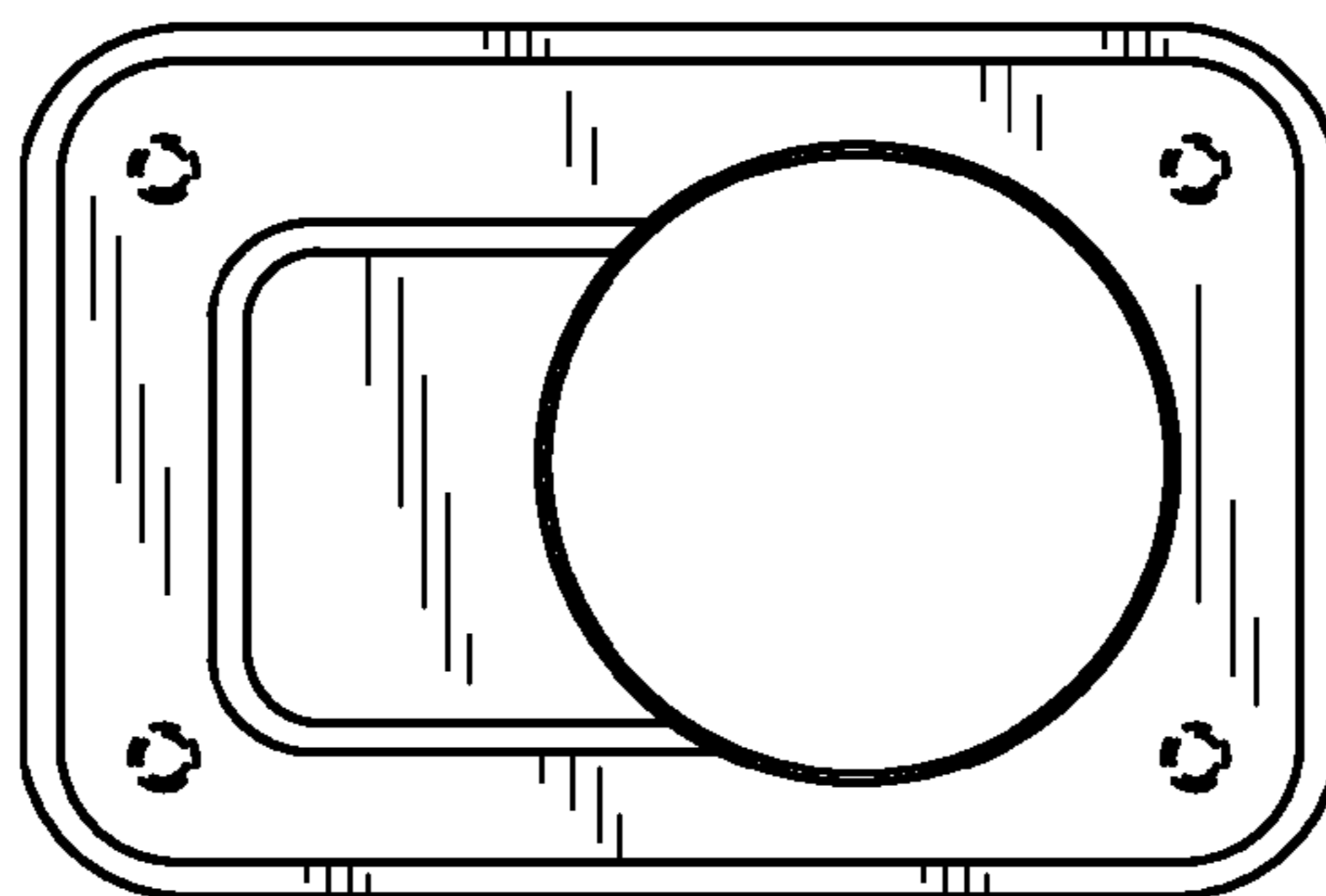


Fig. 6



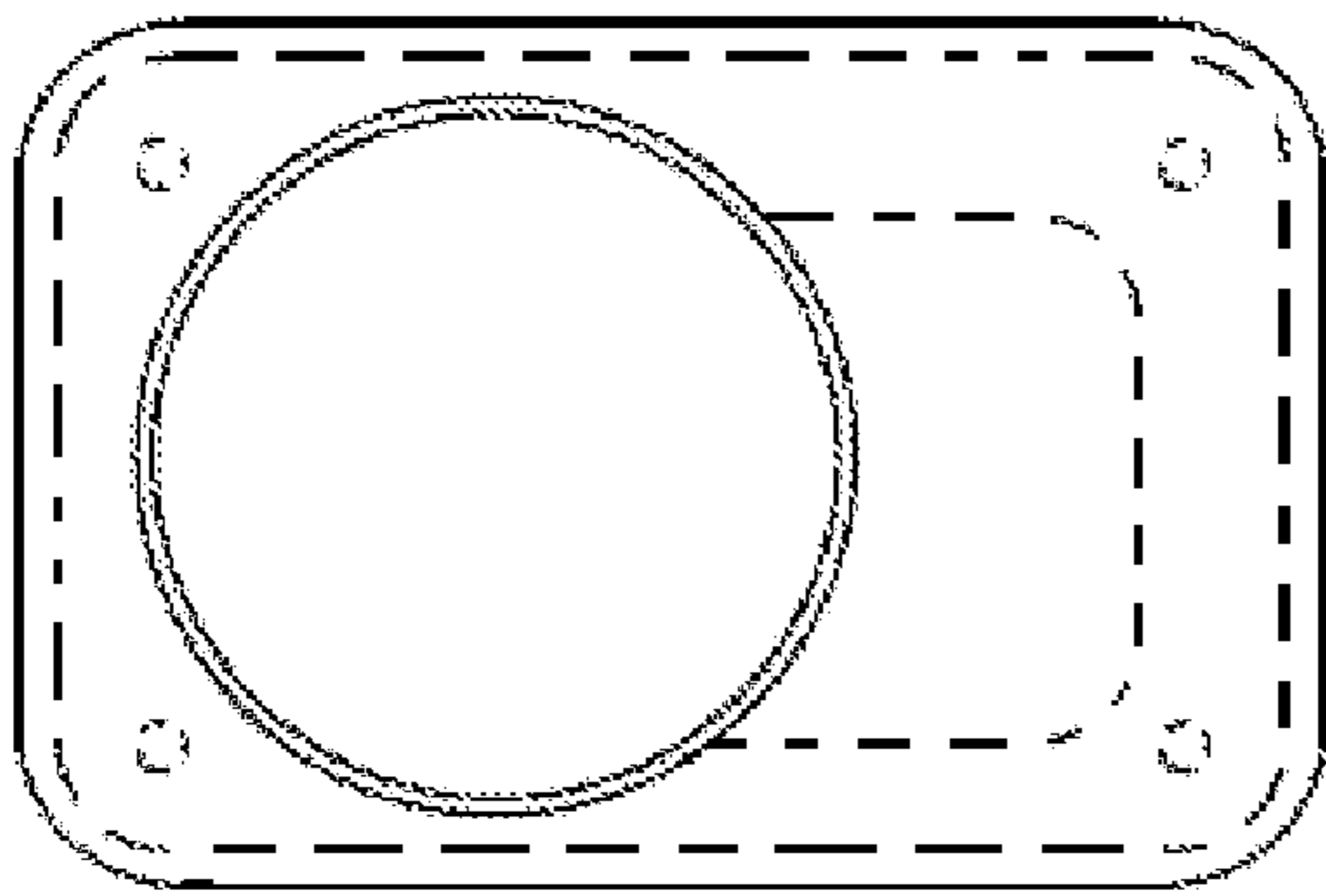


Fig. 7

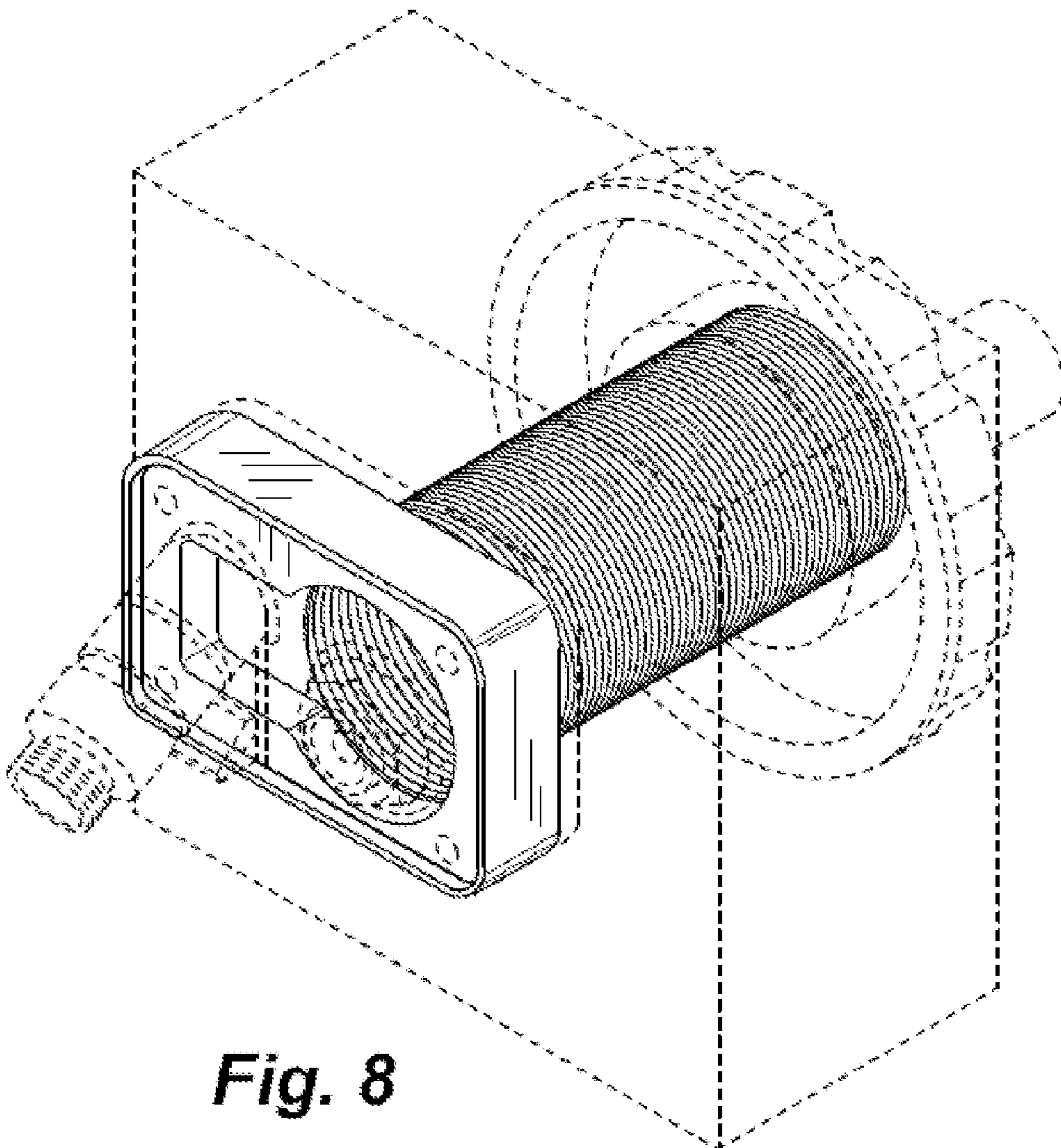


Fig. 8